



US00D371836S

United States Patent [19]

Coble

[11] Patent Number: **Des. 371,836**

[45] Date of Patent: ****Jul. 16, 1996**

[54] **ASSEMBLY OF CAST REFRACTORY SEGMENTS OF AN ANNEALING FURNACE BASE**

[76] Inventor: **Gary L. Coble**, R.D. #2, Box 214, DuBois, Pa. 15801

[**] Term: **14 Years**

[21] Appl. No.: **32,589**

[22] Filed: **Dec. 21, 1994**

[52] U.S. Cl. **D23/386**; D23/329

[58] Field of Search D23/386, 329; D25/113, 199, 116, 154; 266/280, 286, 282; 432/254.2, 258

[56] References Cited

U.S. PATENT DOCUMENTS

D. 344,350	2/1994	DePascale et al.	52/596
1,829,320	10/1931	White .	
2,998,236	8/1961	Cramer et al.	263/40
3,039,754	6/1962	Jones	263/47
3,081,074	3/1963	Blackman et al.	263/47
3,149,827	9/1964	Whitten	263/47
3,693,955	9/1972	Wald et al.	266/5
4,011,683	3/1977	DeSousa	D25/113
4,294,438	10/1981	Nystrom et al.	266/280
4,516,758	5/1985	Coble	266/263
4,611,791	9/1986	Coble	266/263
4,647,022	3/1987	Coble	266/282

4,653,171	3/1987	Coble	29/455
4,755,236	7/1988	Coble	148/13
5,048,802	9/1991	Coble	266/263
5,308,046	5/1994	Coble	266/263
5,335,897	8/1994	Coble	266/286

FOREIGN PATENT DOCUMENTS

1131246	12/1956	Germany	266/262
---------	---------	---------------	---------

Primary Examiner—Lisa P. Lichtenstein
Attorney, Agent, or Firm—Burge, David A.

[57] CLAIM

The ornamental design for an assembly of cast refractory segments of an annealing furnace base, as shown.

DESCRIPTION

FIG. 1 is a perspective view of an assembly of cast refractory segments of an annealing furnace base embodying my design, with the view showing principally top, front and left portions thereof;

FIG. 2 is a perspective view thereof showing principally bottom, rear and right portions thereof;

FIG. 3 is a right elevational view thereof;

FIG. 4 is a rear elevational view thereof;

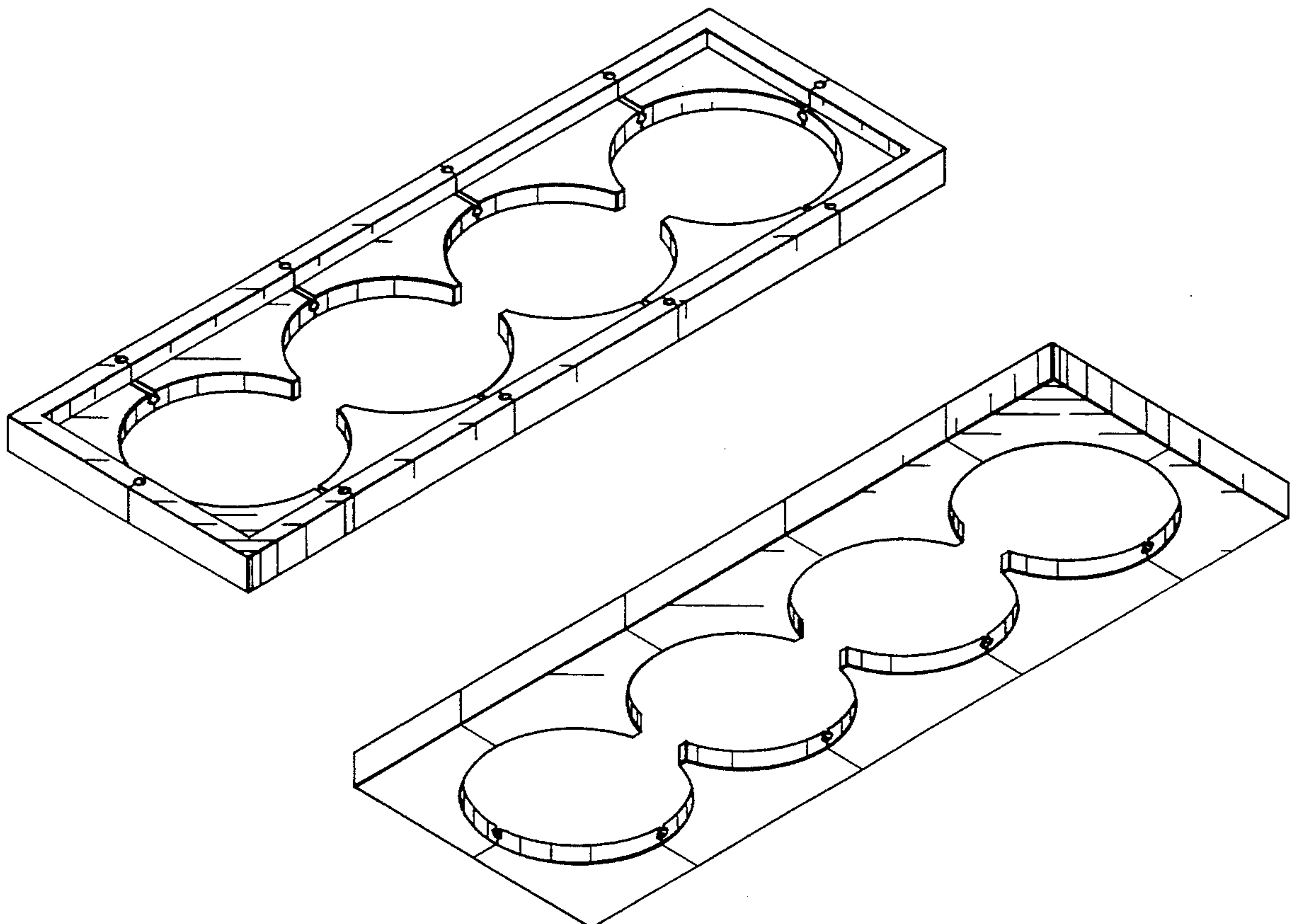
FIG. 5 is a top plan view thereof;

FIG. 6 is a front elevational view thereof;

FIG. 7 is a bottom plan view thereof; and,

FIG. 8 is a left end elevational view thereof.

1 Claim, 2 Drawing Sheets



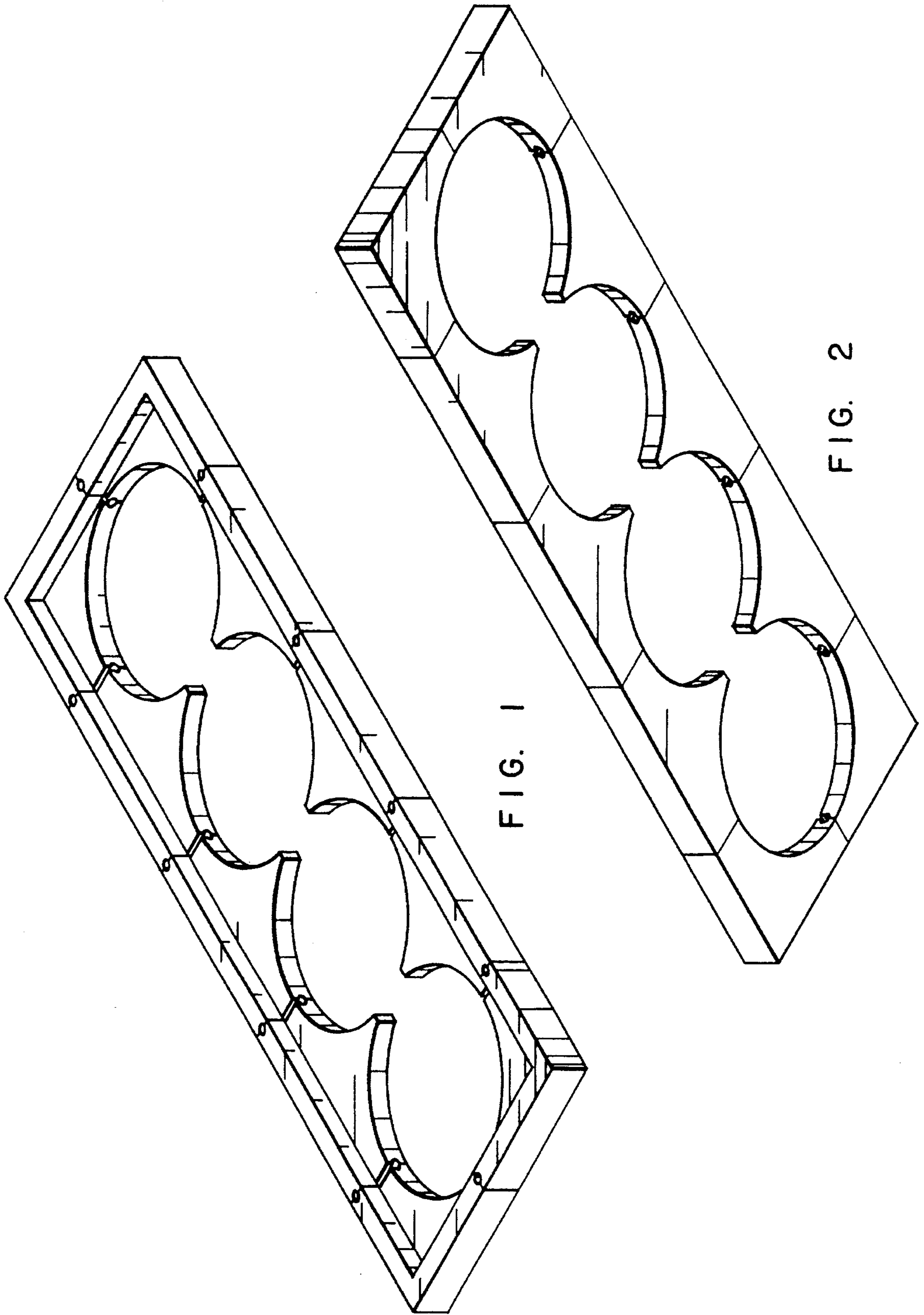


FIG. 1

FIG. 2



FIG. 3



FIG. 4

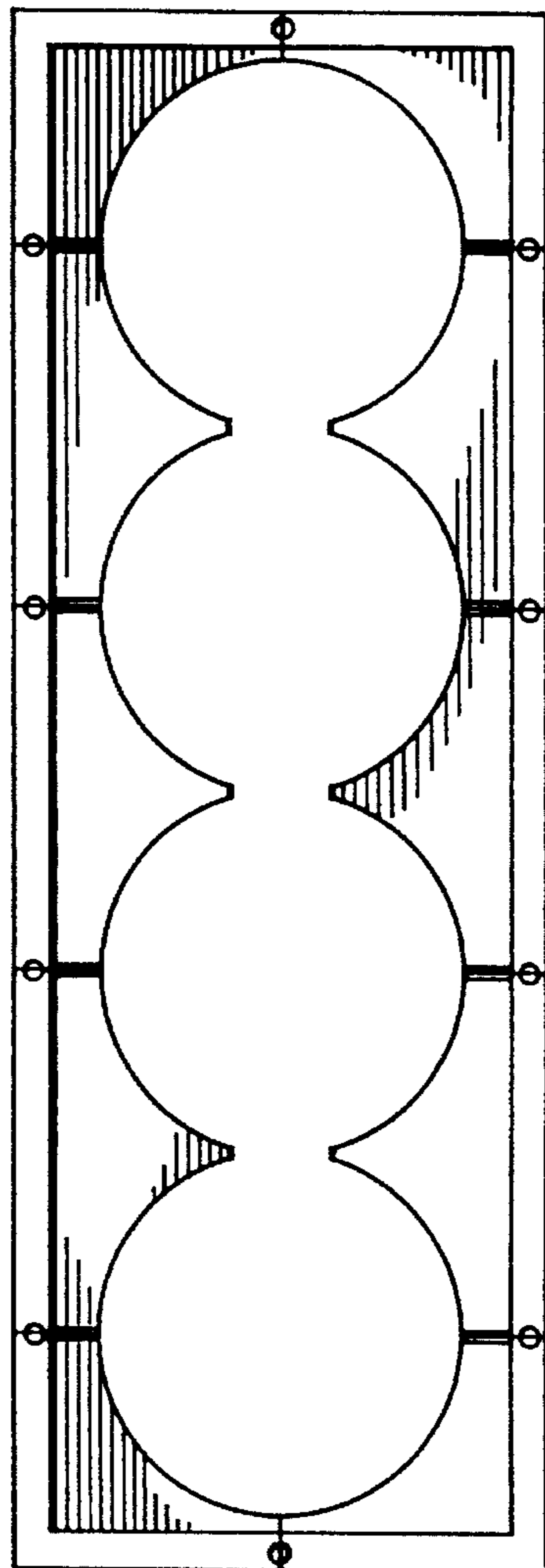


FIG. 5



FIG. 6

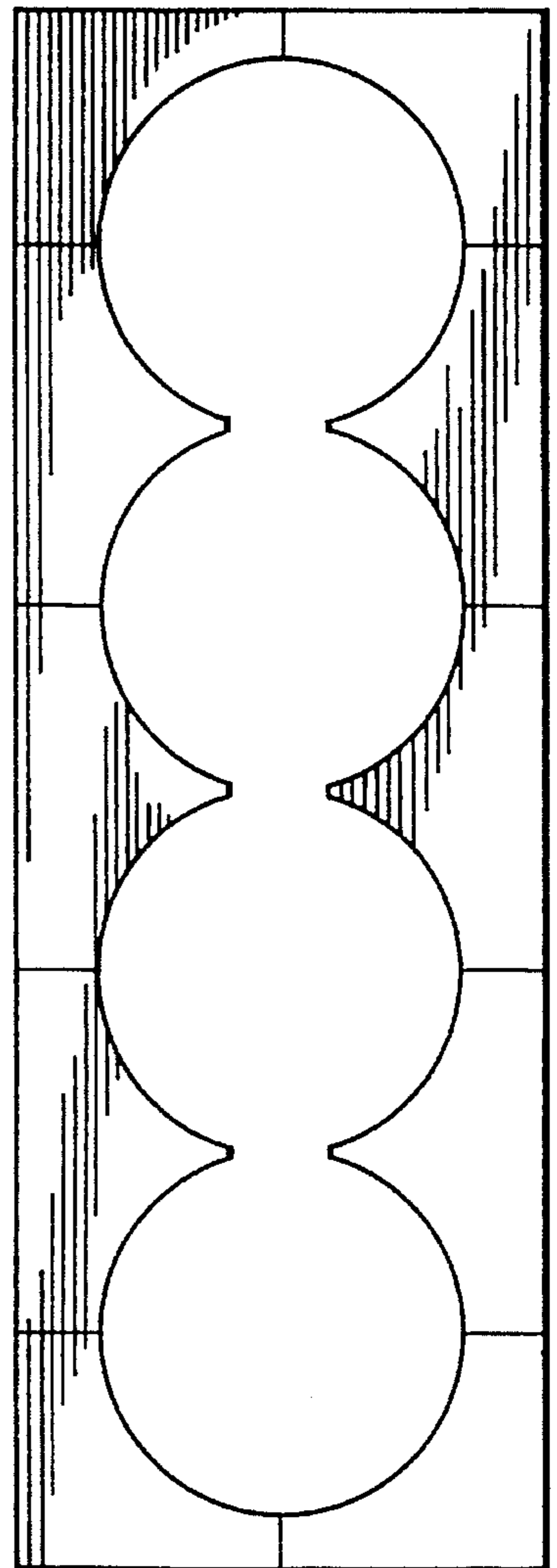


FIG. 7



FIG. 8