



US00D371832S

United States Patent [19]
Kelly

[11] **Patent Number:** **Des. 371,832**
[45] **Date of Patent:** ****Jul. 16, 1996**

[54] **BOLT HEATER ROD ASSEMBLY UNIT**

[75] Inventor: **Michael W. Kelly**, Joliet, Ill.

[73] Assignee: **Power House Tool, Inc.**, Joliet, Ill.

[**] Term: **14 Years**

[21] Appl. No.: **18,635**

[22] Filed: **Feb. 14, 1994**

[52] U.S. Cl. **D23/332; D23/314**

[58] Field of Search **D23/314, 332, D23/386; 219/534; 392/497, 498**

[56] **References Cited**

U.S. PATENT DOCUMENTS

| | | | |
|-----------|---------|-----------------|---------|
| 976,405 | 11/1910 | Shoenberg | 392/497 |
| 2,834,864 | 5/1958 | Grinde | 392/497 |
| 3,469,075 | 9/1969 | Barbier | 392/497 |

FOREIGN PATENT DOCUMENTS

| | | | |
|---------|---------|---------------|---------|
| 888941 | 12/1943 | France | 392/498 |
| 2706291 | 8/1978 | Germany | 392/498 |

OTHER PUBLICATIONS

Power House Tool Inc. catalog, pp. 9 and 10.

Primary Examiner—Lisa P. Lichtenstein

Attorney, Agent, or Firm—Hill, Steadman & Simpson

[57] **CLAIM**

The ornamental design for a bolt heater rod assembly unit, as shown and described.

DESCRIPTION

FIG. 1 is a perspective view of a bolt heater rod assembly

unit embodying the principles of the present invention;

FIG. 2 is a side elevational view of a side opposite that visible in FIG. 1;

FIG. 3 is a bottom elevational view of the bolt heater rod assembly unit;

FIG. 4 is a front end elevational view of the bolt heater rod assembly unit of FIG. 1;

FIG. 5 is a rear end elevational view of the bolt heater rod assembly unit of FIG. 1;

FIG. 6 is a perspective view of a front portion of the bolt heater rod assembly unit of FIG. 1, shown separately for clarity of illustration;

FIG. 7 is a side elevational view of the bolt heater rod assembly unit portion of FIG. 6;

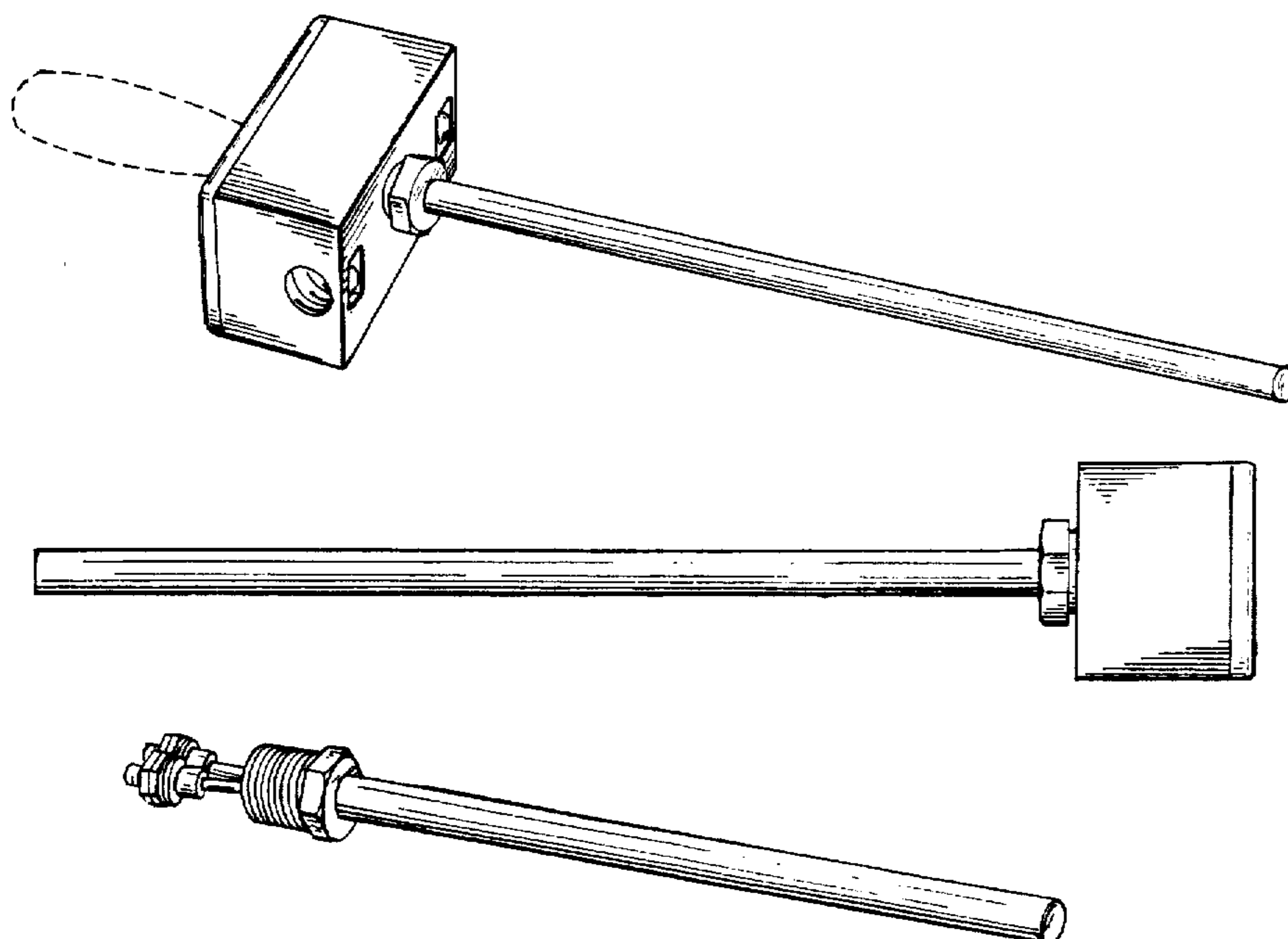
FIG. 8 is a plan view of the bolt heater rod assembly unit portion of FIG. 6, the bottom view being identical;

FIG. 9 is a front end elevational view of the bolt heater rod assembly unit portion of FIG. 6; and,

FIG. 10 is a rear end elevational view of the bolt heater rod assembly unit portion of FIG. 6.

The broken line showing of environmental structure in FIG. 1 is for illustrative purposes only and forms no part of the claimed design.

1 Claim, 2 Drawing Sheets



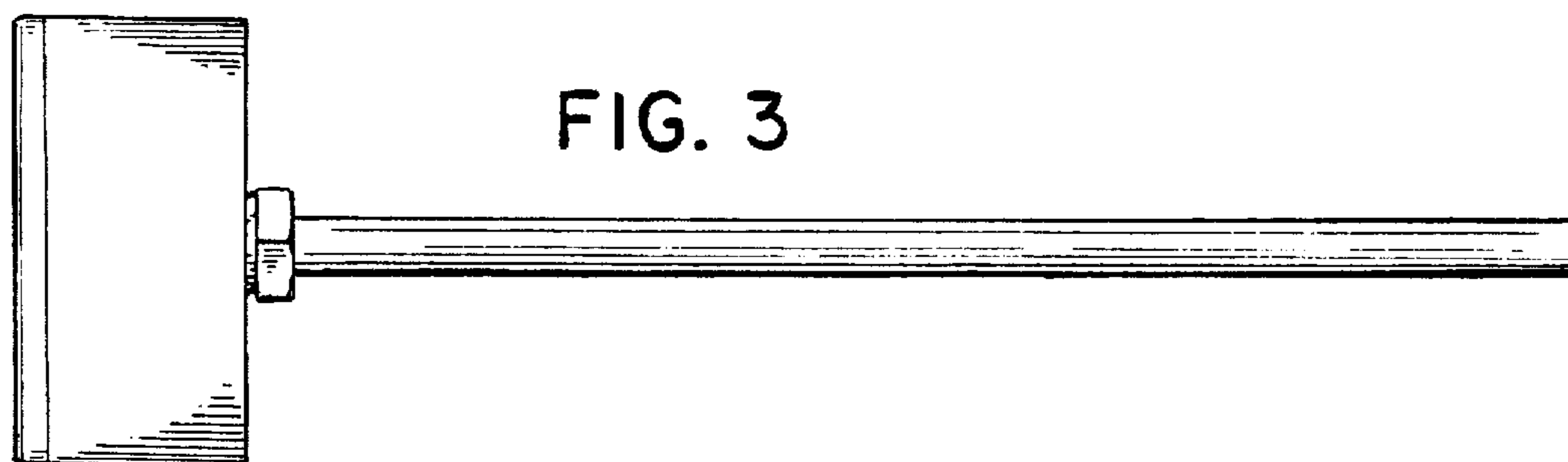
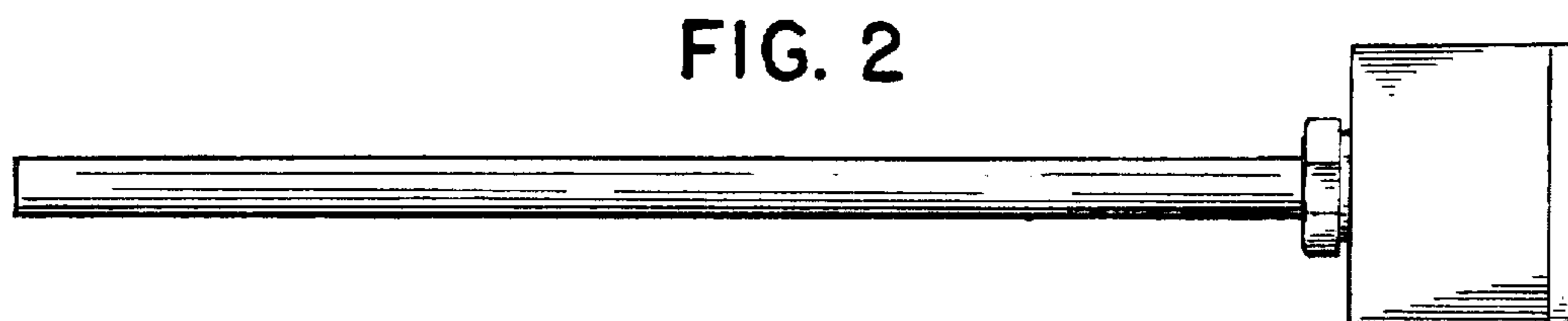
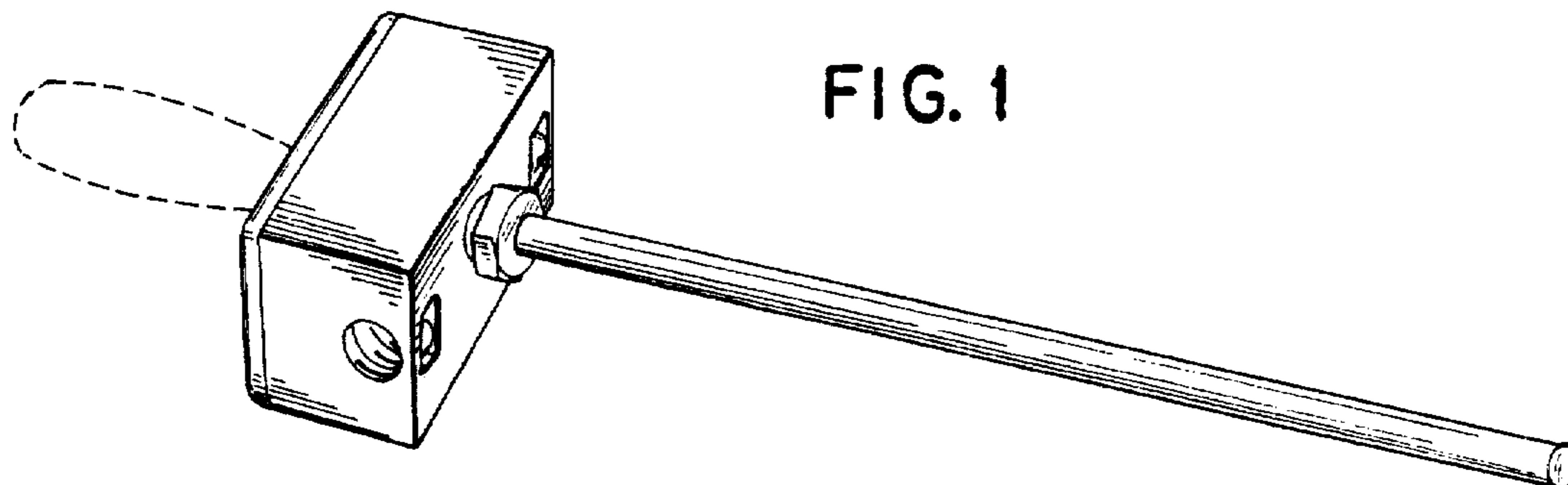


FIG. 4

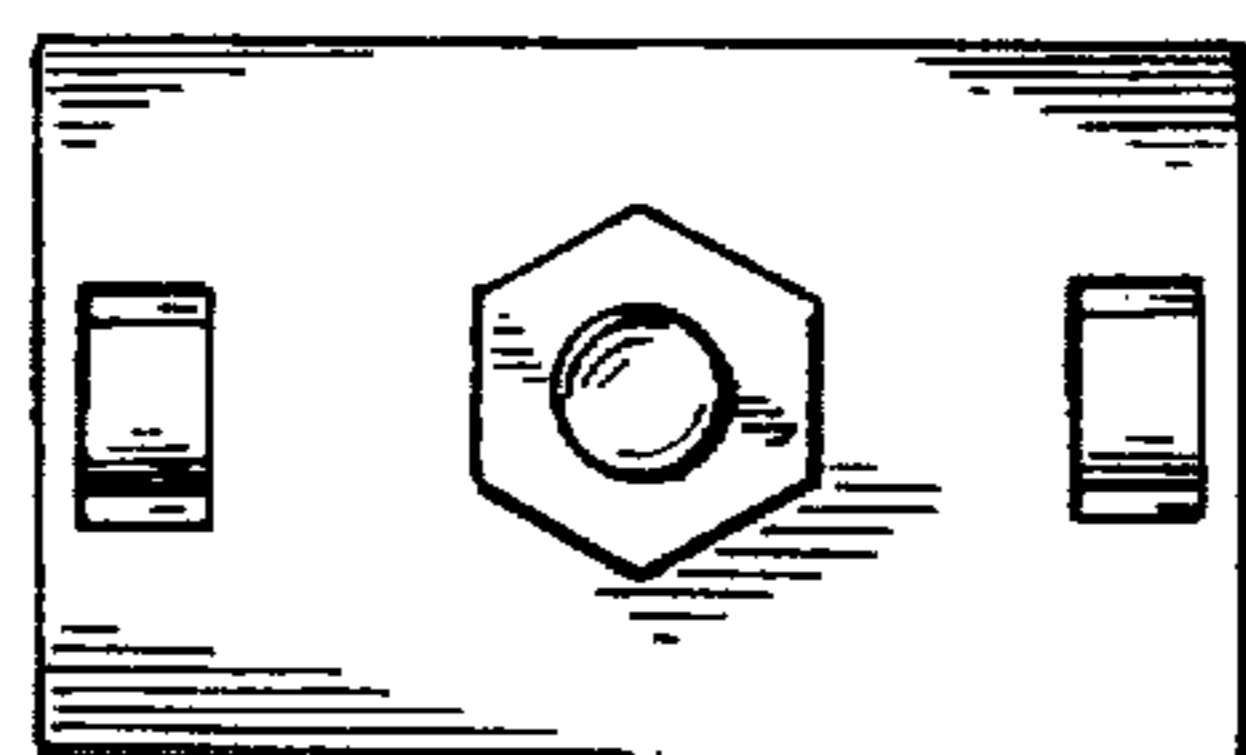


FIG. 5

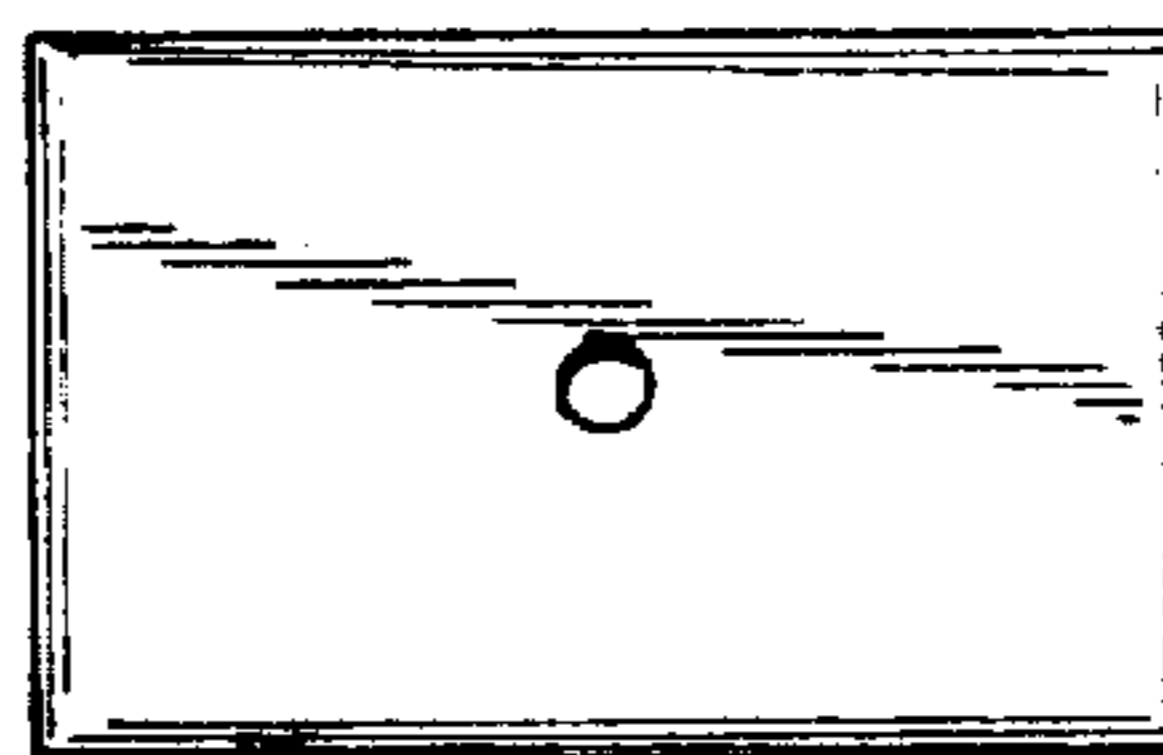


FIG. 6

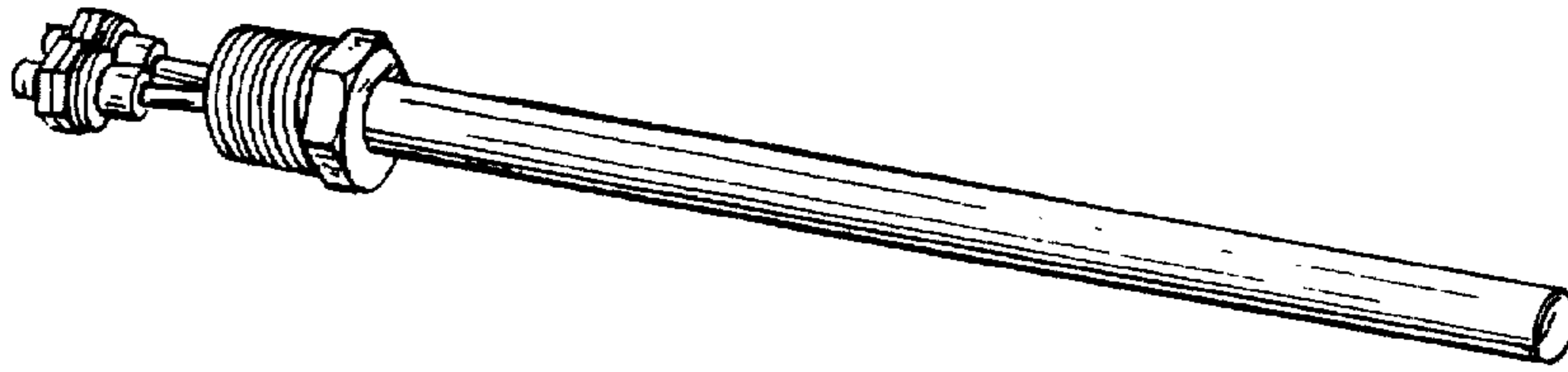


FIG. 7

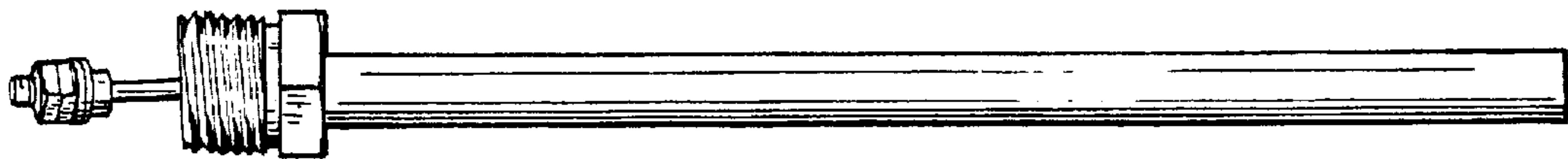


FIG. 8

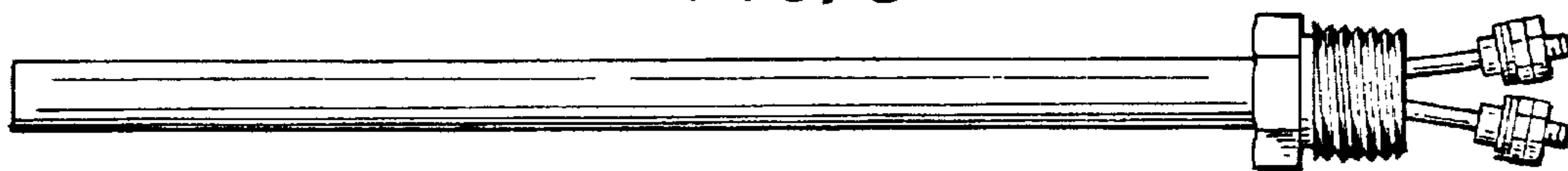


FIG. 9



FIG. 10

