



US00D371830S

United States Patent [19]

Emery et al.

[11] Patent Number: **Des. 371,830**

[45] Date of Patent: ****Jul. 16, 1996**

[54] **SAILBOAT SHOWER CADDY**
[75] Inventors: **William W. Emery**, Berkeley Heights;
Russell A. Fritts, Warren, both of N.J.

[73] Assignee: **Better Sleep Mfg. Co.**, Berkeley Heights, N.J.

[**] Term: **14 Years**

[21] Appl. No.: **39,242**

[22] Filed: **May 25, 1995**

[52] U.S. Cl. **D23/304**; D21/130

[58] Field of Search D23/303, 304;
D21;163;130/D3; 18;21/D11; D11/133,
134, 125; 248/208, 317

[56] **References Cited**

U.S. PATENT DOCUMENTS

D. 76,339	6/1926	Babbitt	D21/130
D. 97,100	8/1935	Seimund	D21/130
D. 352,962	11/1994	Zier	D21/130
2,496,951	2/1950	Menzin	D21/163

2,753,143	7/1956	Berkt	248/317
3,188,039	6/1965	Krohn	248/317
3,469,287	9/1969	Hamline	248/317

Primary Examiner—Louis S. Zarfaz
Assistant Examiner—Greg Andoll
Attorney, Agent, or Firm—Hopgood, Calimafde Kalil & Judlowe

[57] **CLAIM**

The ornamental design for a sailboat shower caddy, as shown and described.

DESCRIPTION

FIG. 1 is a top right perspective view of a sailboat shower caddy showing our new design;
FIG. 2 is a top plan view thereof;
FIG. 3 is a front elevation view thereof;
FIG. 4 is a right side elevation view thereof;
FIG. 5 is a left side elevation view thereof;
FIG. 6 is a rear elevation view thereof; and,
FIG. 7 is a bottom plan view thereof.

1 Claim, 4 Drawing Sheets

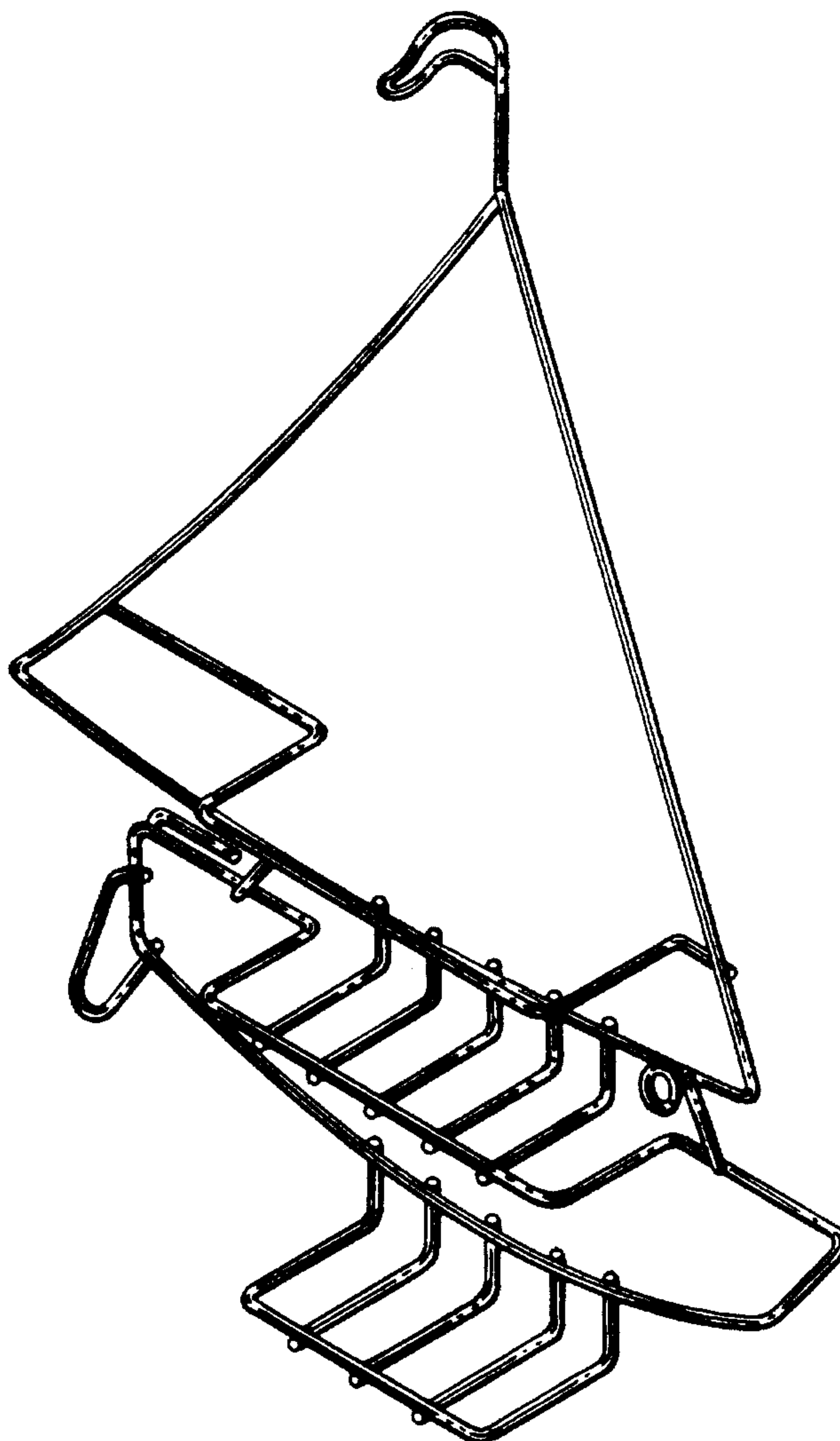


FIG. 1

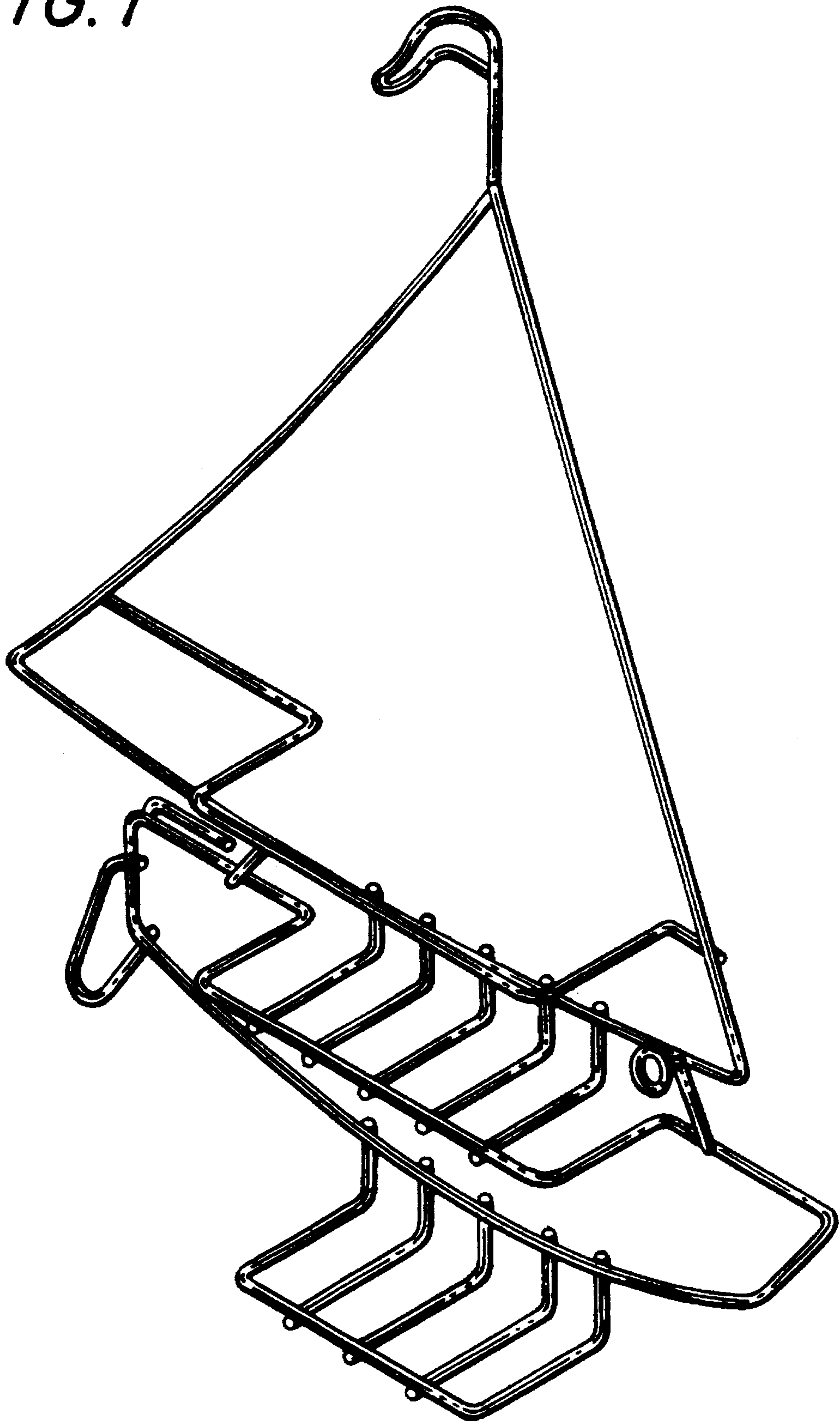


FIG. 2

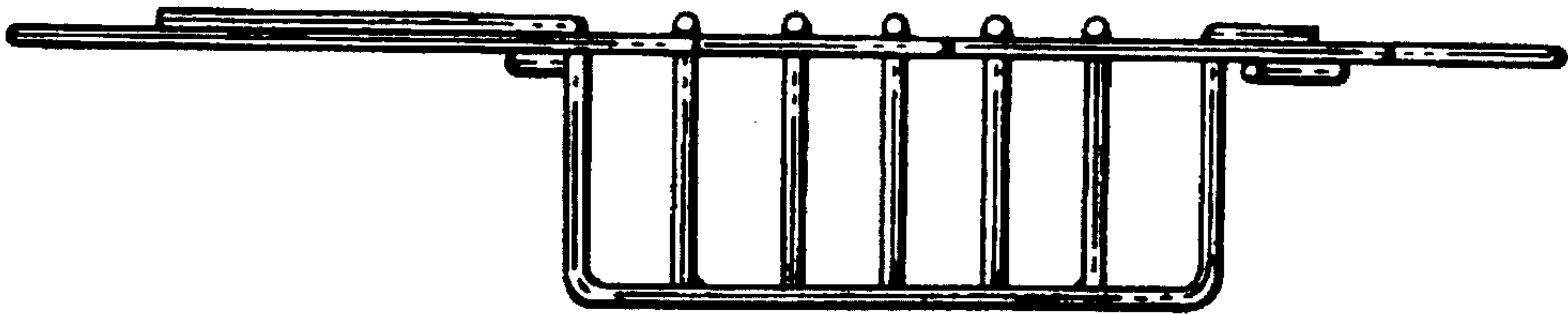


FIG. 3

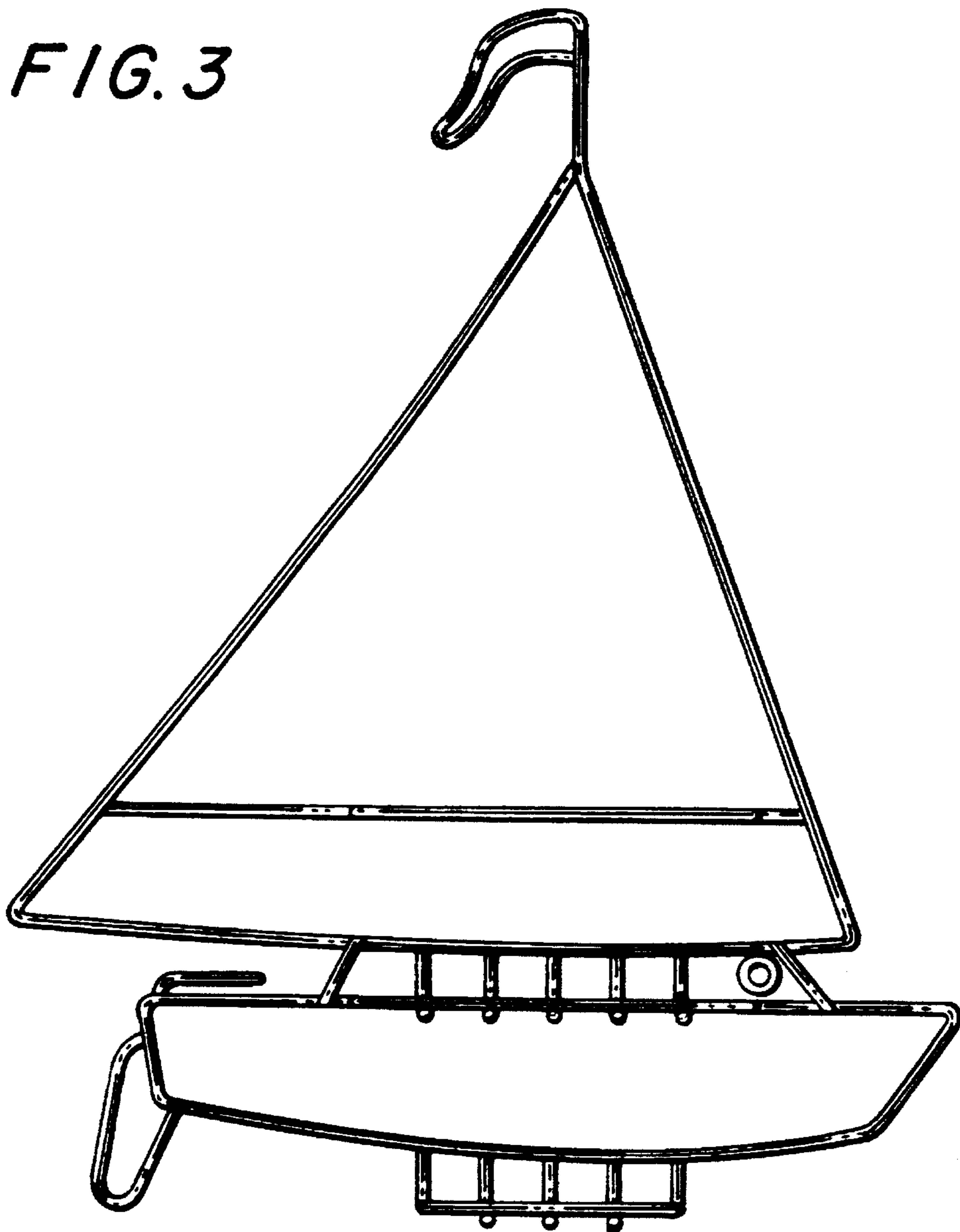


FIG. 4

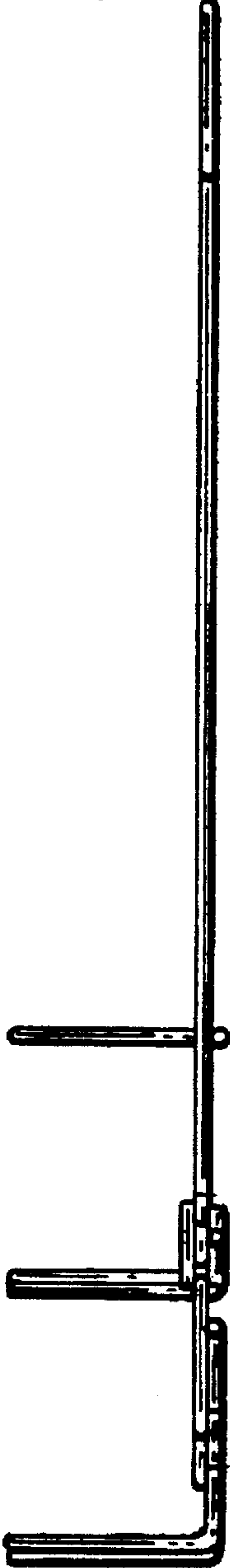


FIG. 5



FIG. 6

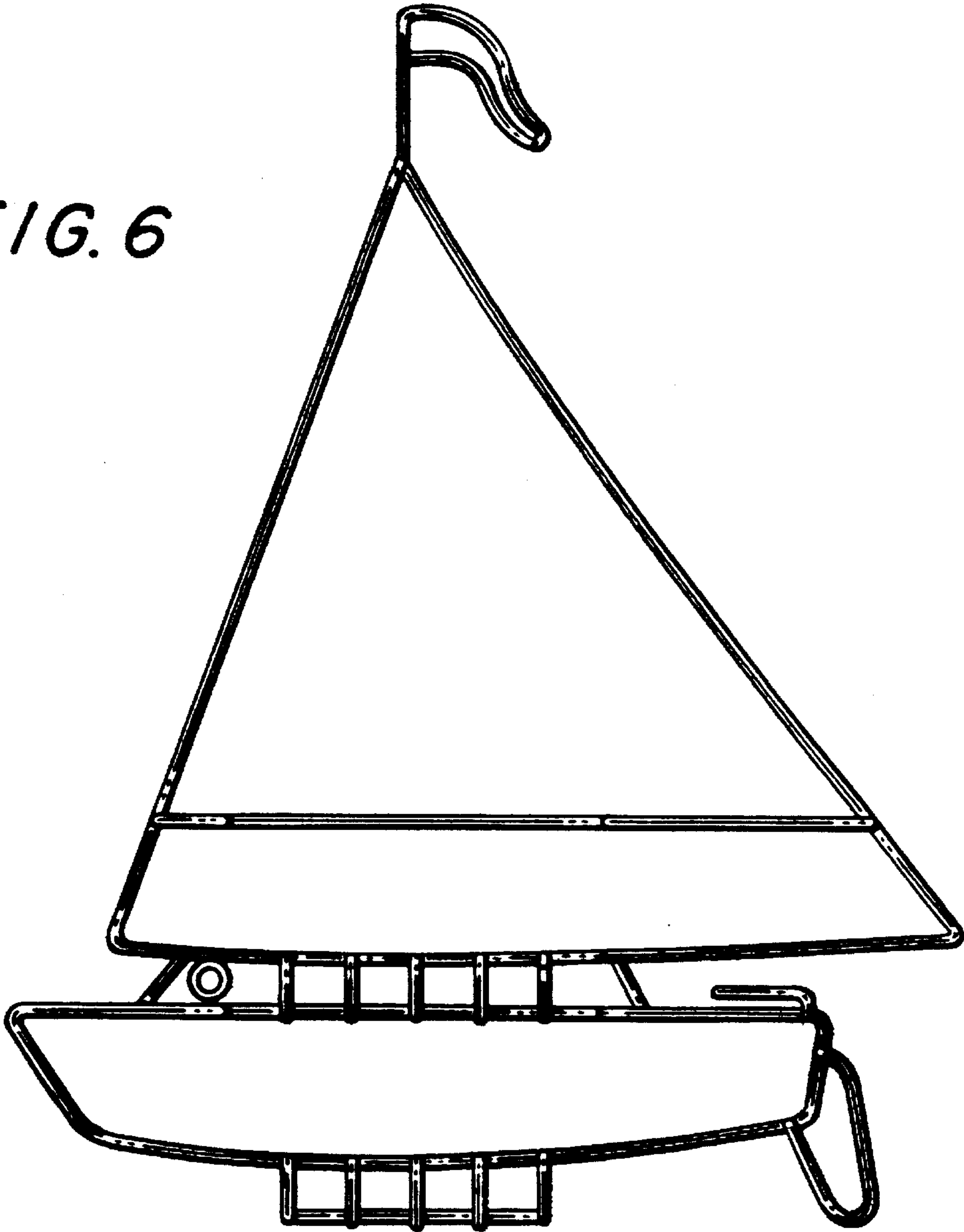


FIG. 7

