



US00D371823S

United States Patent [19]
Charlton

[11] **Patent Number: Des. 371,823**

[45] **Date of Patent: **Jul. 16, 1996**

[54] **FLY FISHING REEL**

2,059,765 11/1936 Adams 242/295
3,967,792 7/1976 Goedl 242/317

[76] Inventor: **Jack D. Charlton**, 1179-A Water Tank Rd., Burlington, Wash. 98233

Primary Examiner—Doris V. Coles
Attorney, Agent, or Firm—Richardson & Folise

[**] Term: **14 Years**

[57] **CLAIM**

[21] Appl. No.: **22,723**

The ornamental design for a fly fishing reel, as shown and described.

[22] Filed: **May 11, 1994**

[52] U.S. Cl. **D22/140**

DESCRIPTION

[58] **Field of Search** D22/140, 141,
D22/137; 242/295, 317, 318-322, 613.24,
611.2

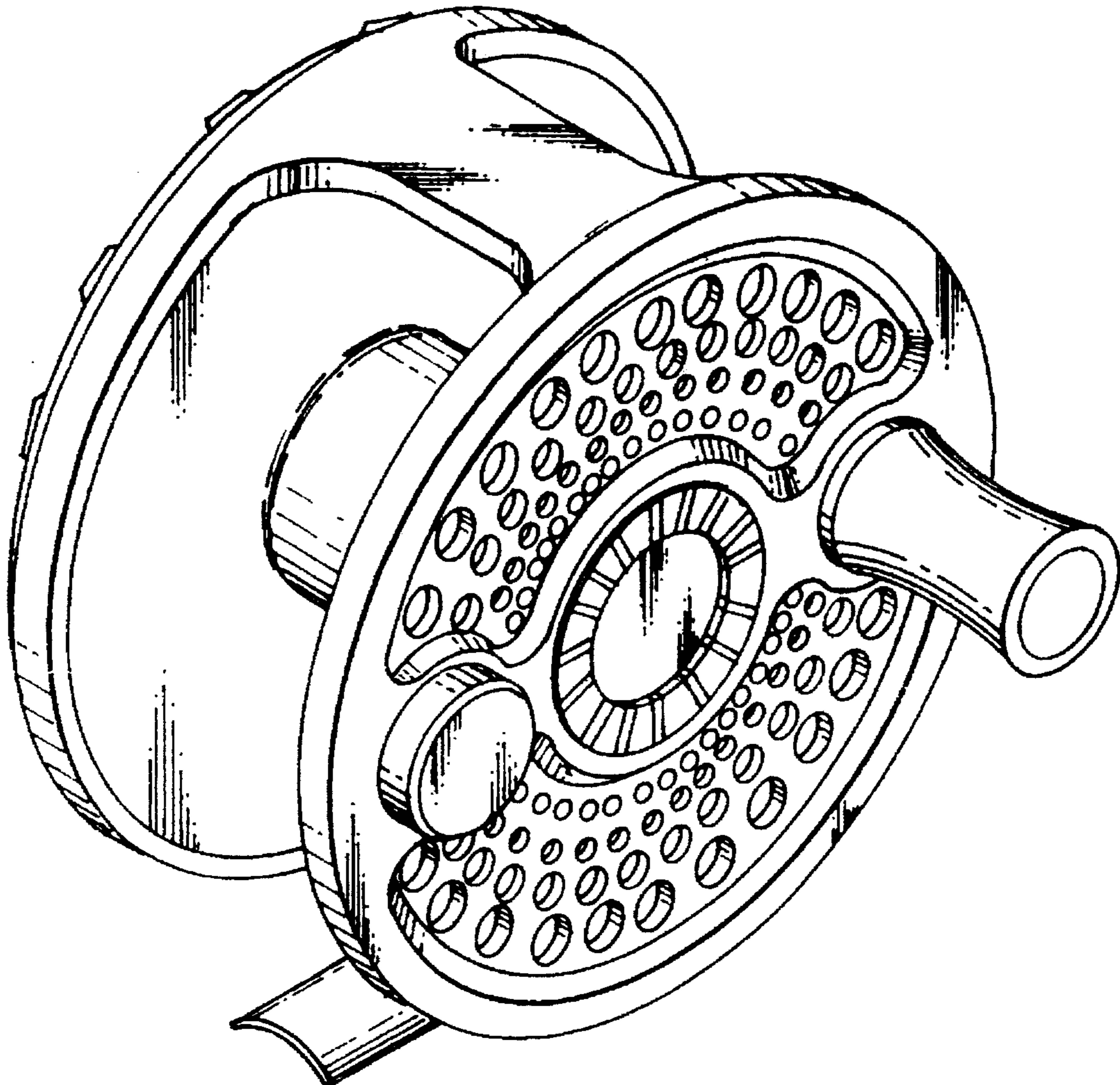
FIG. 1 is an isometric, right side perspective view of a fly fishing reel showing my new design;
FIG. 2 is a right side elevational view of the fly fishing reel;
FIG. 3 is a left side elevational view of the fly fishing reel;
FIG. 4 is a rear, elevational view of the fly fishing reel;
FIG. 5 is a front, elevational of the fly fishing reel;
FIG. 6 is a bottom plan view of the fly fishing reel;
FIG. 7 is a top plan view of the fly fishing reel; and,
FIG. 8 is an isometric, left side perspective view of the fly fishing reel.

[56] **References Cited**

U.S. PATENT DOCUMENTS

D. 186,515	11/1959	Clark	D22/140
D. 190,080	4/1961	Clark	D22/140
D. 226,310	2/1973	Lemery	D22/140
D. 240,423	7/1976	Oberg	D22/140
D. 260,029	7/1981	Gehrke	D22/140
D. 353,643	12/1994	Shipley	D22/140
D. 360,928	8/1995	Bogner	D22/140

1 Claim, 3 Drawing Sheets



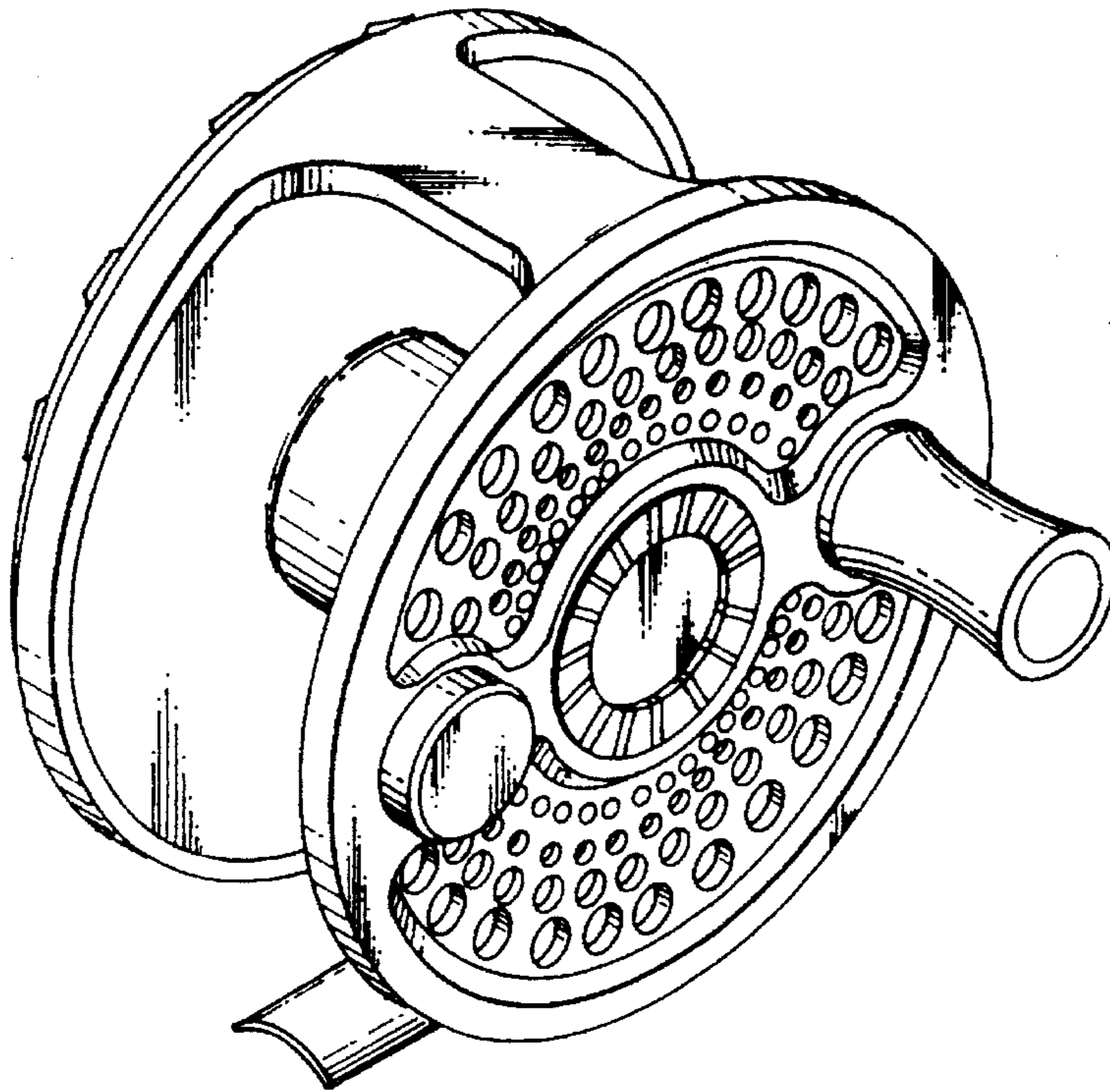


FIG. 1

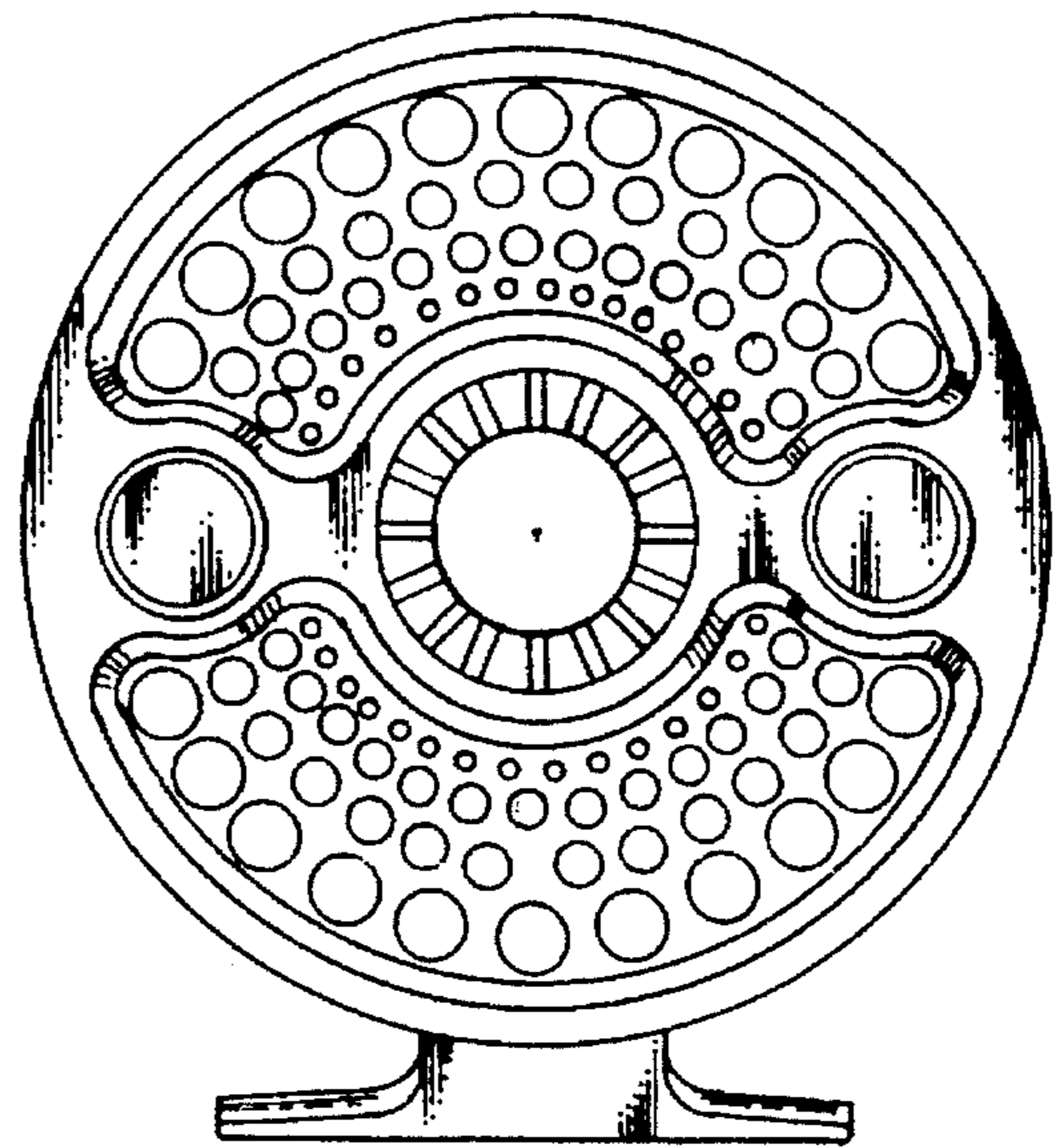


FIG. 2

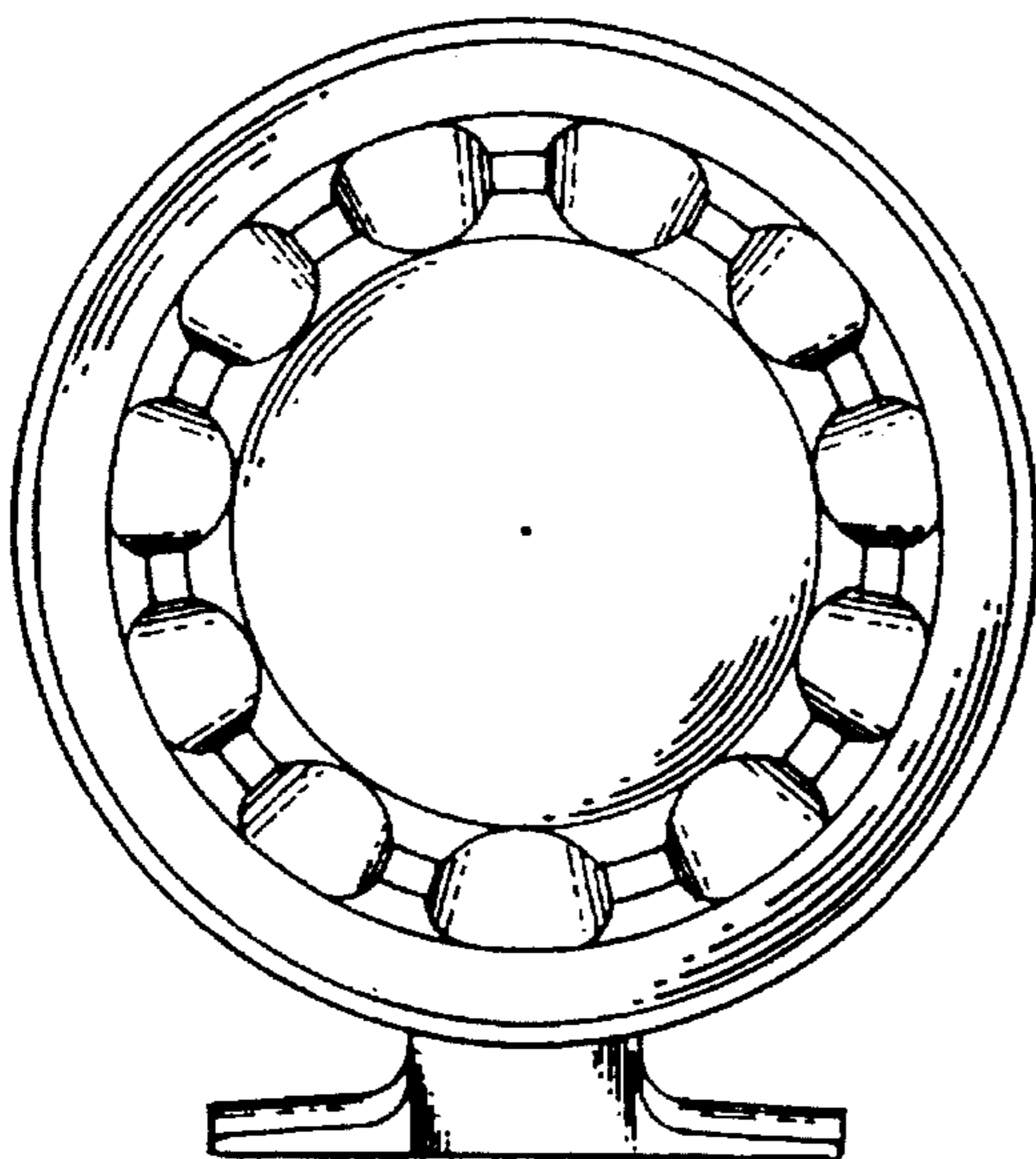


FIG. 3

FIG. 4

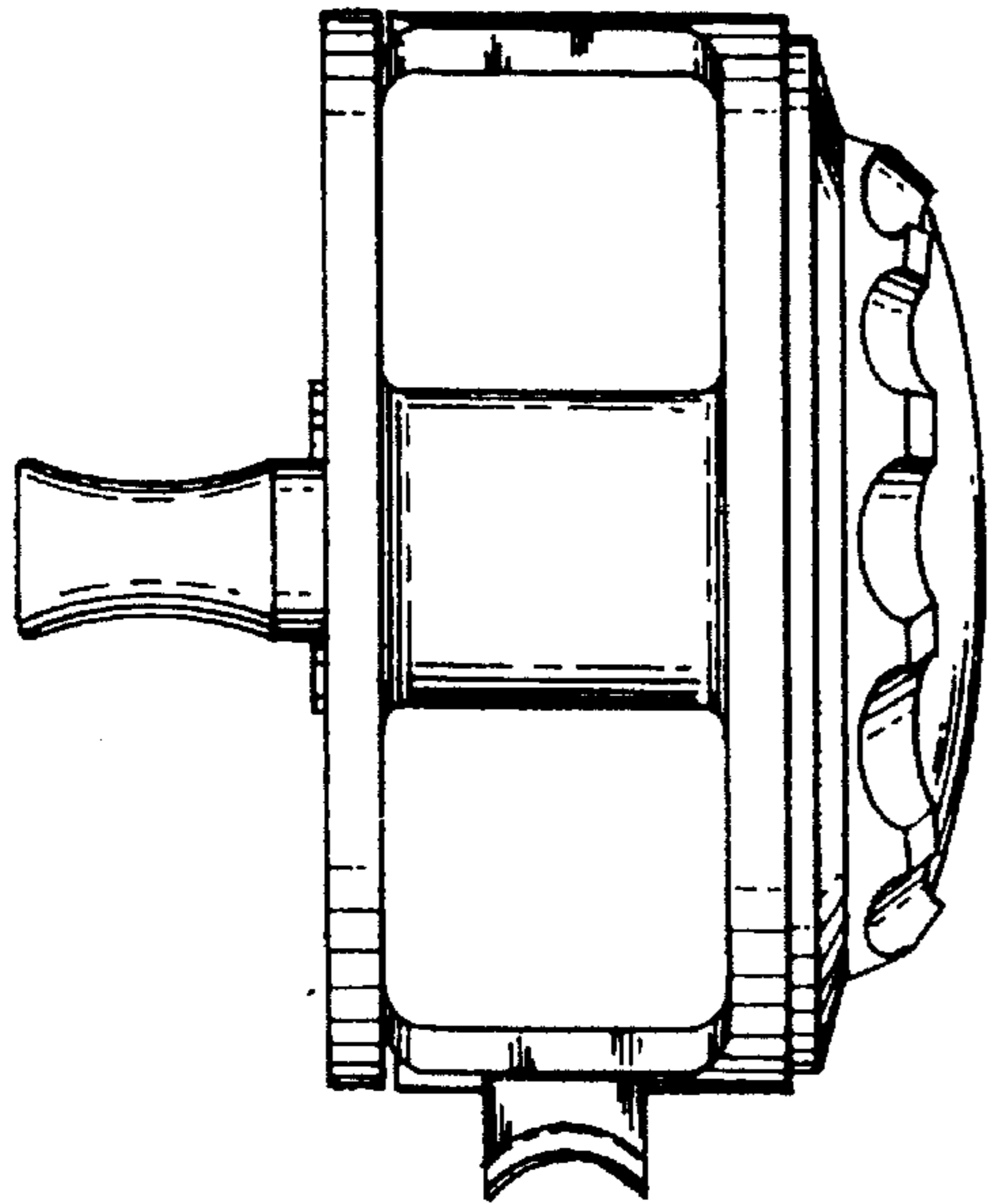


FIG. 5

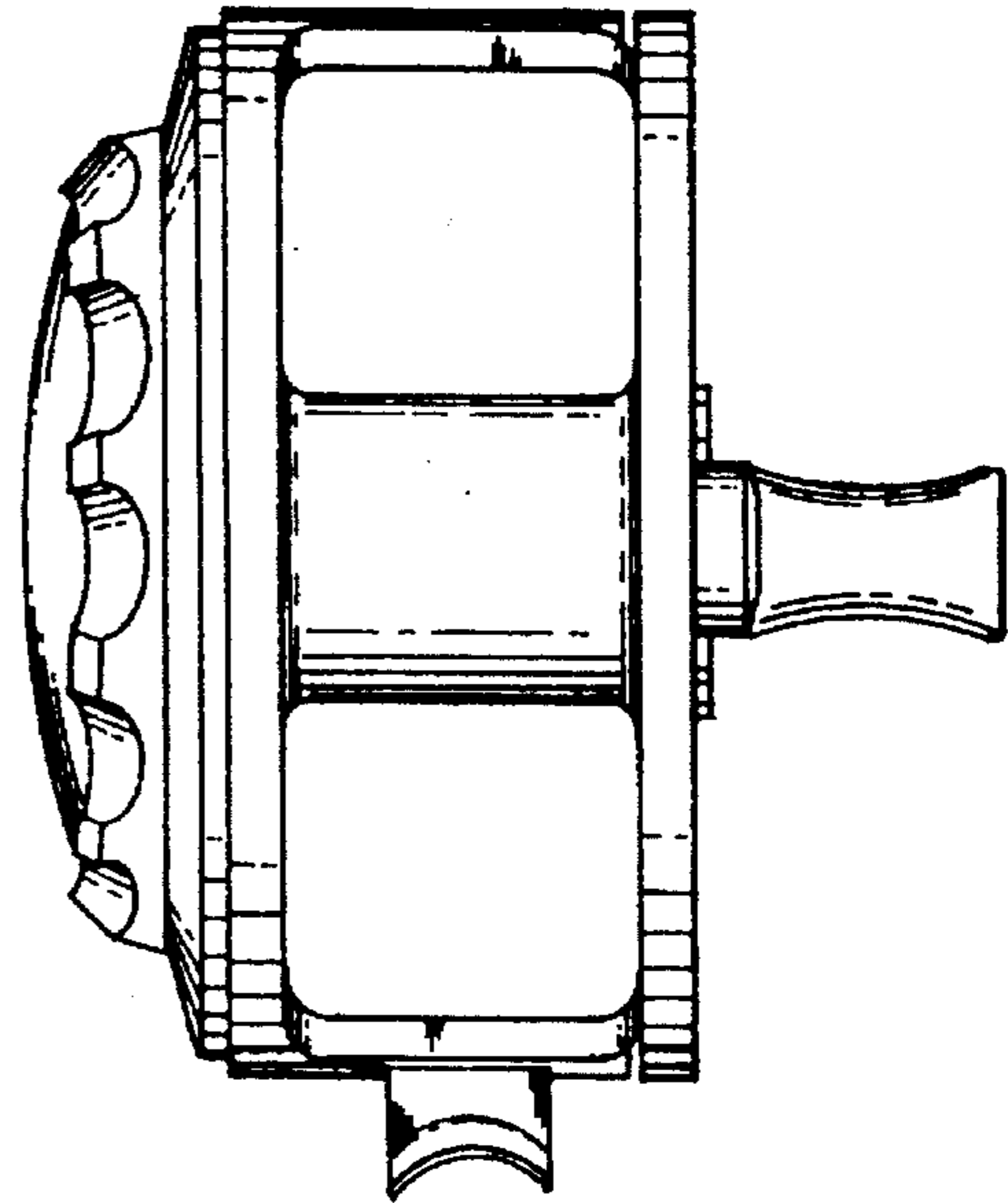


FIG. 6

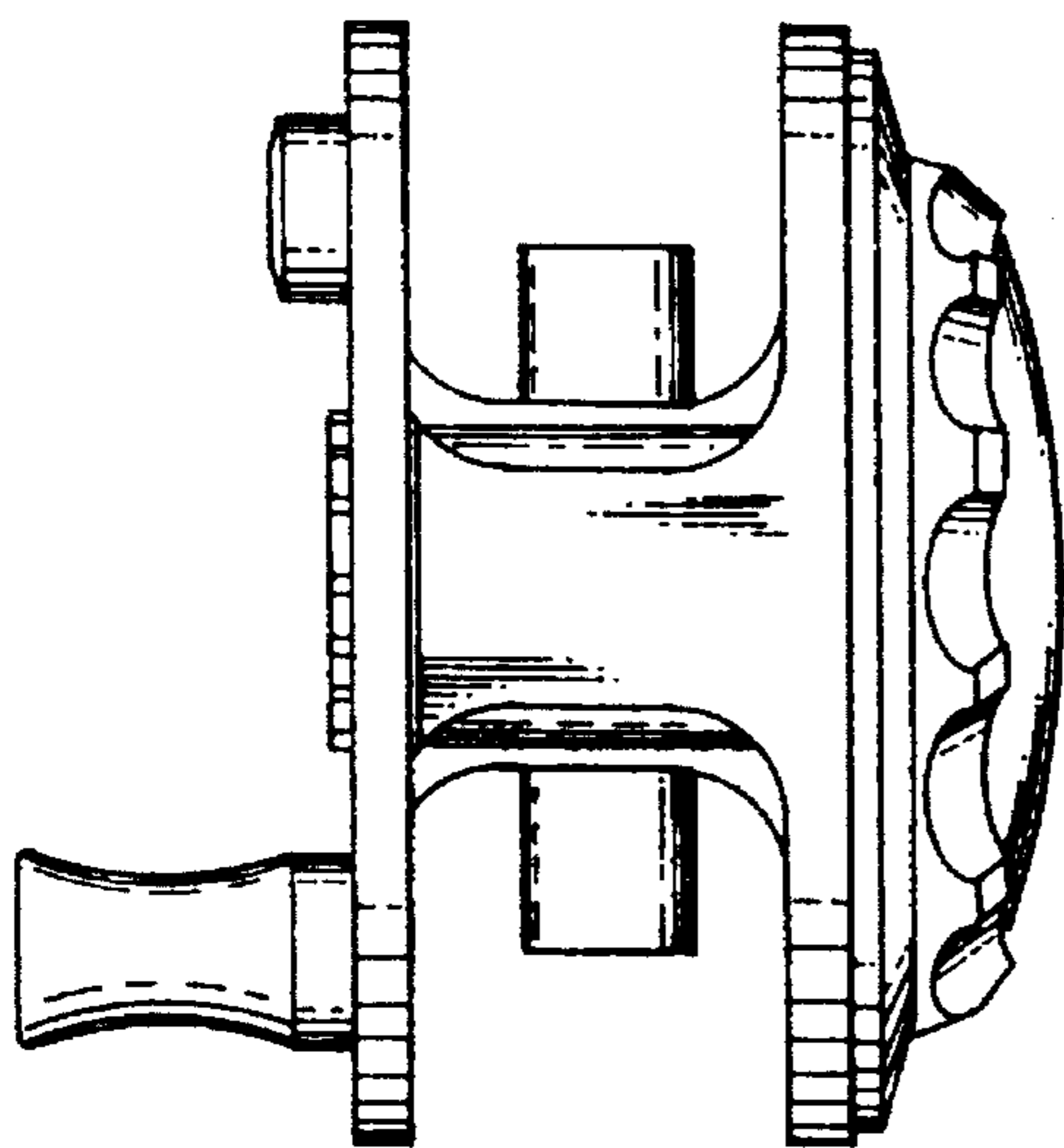
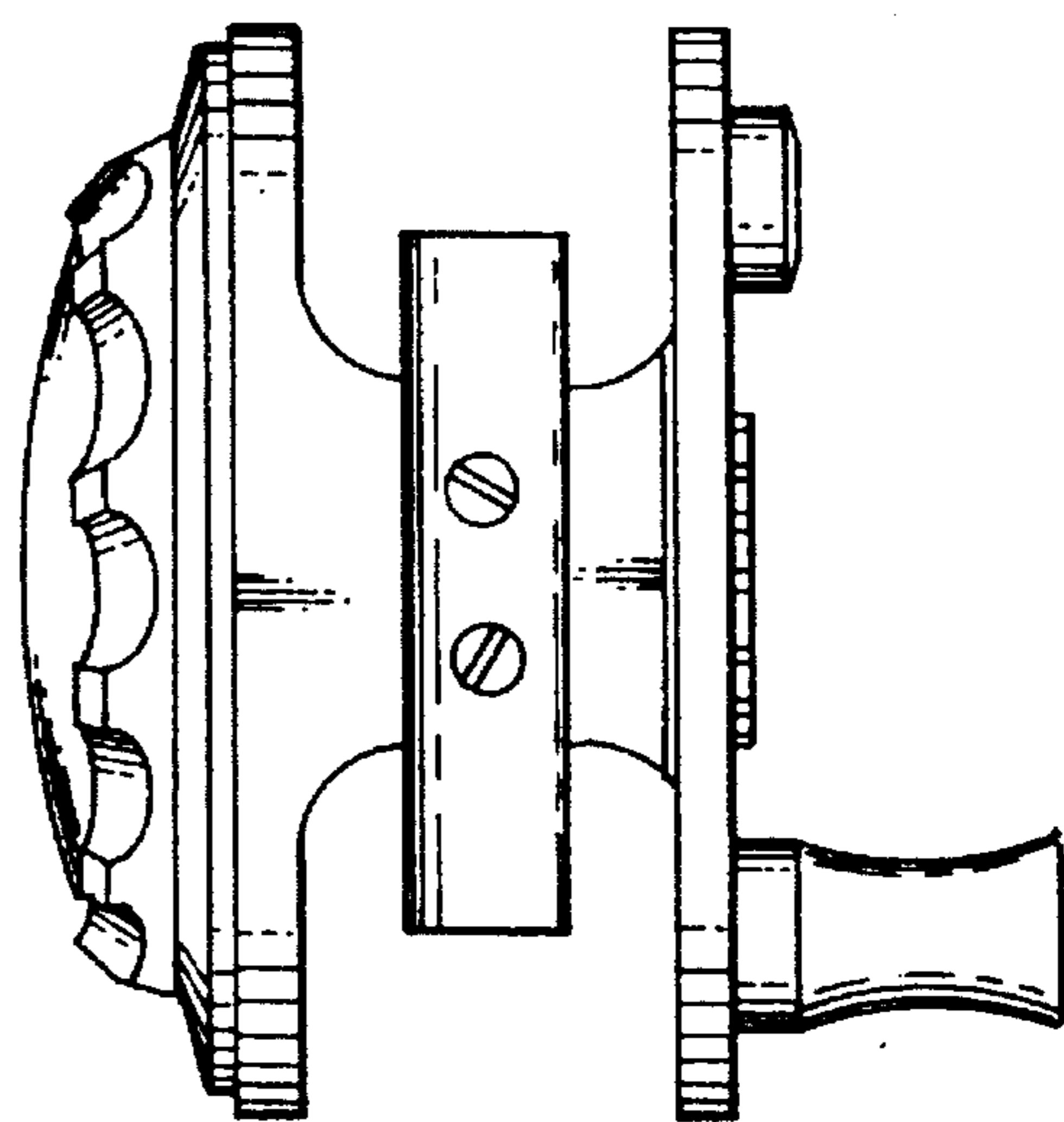


FIG. 7



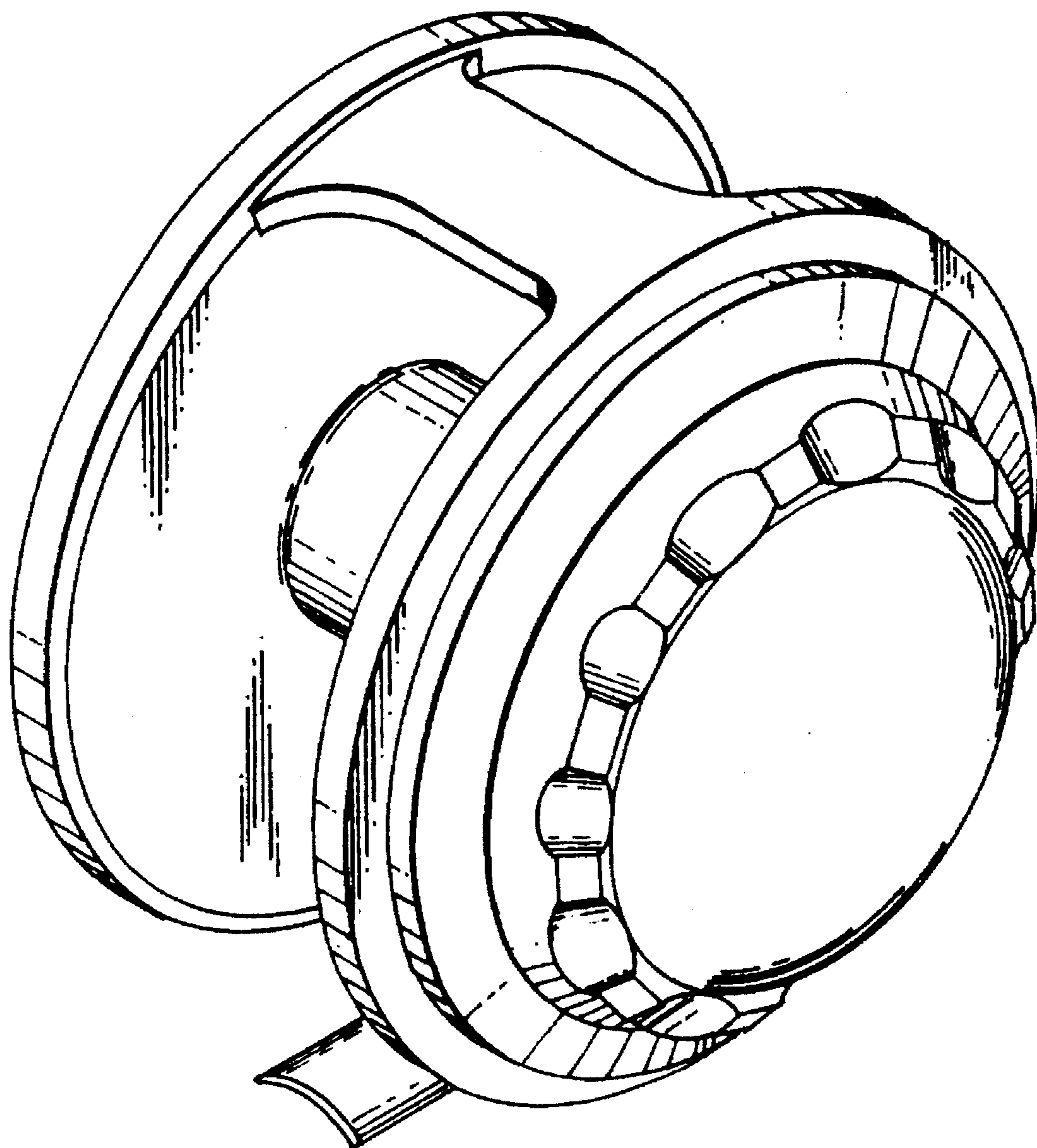


FIG. 8