



US00D371813S

United States Patent [19]

[11] Patent Number: **Des. 371,813**

Schickert et al.

[45] Date of Patent: ****Jul. 16, 1996**

[54] **FRONT, TOP, BOTTOM AND SIDES OF A BASKETBALL BACKBOARD**

[75] Inventors: **Randy R. Schickert**, Kewaskum; **Jon C. Gallun**, Waukesha, both of Wis.

[73] Assignee: **Huffy Corporation**, Miamisburg, Ohio

[**] Term: **14 Years**

[21] Appl. No.: **38,705**

[22] Filed: **May 11, 1995**

Related U.S. Application Data

[60] Division of Ser. No. 326,607, Aug. 1, 1994, abandoned, which is a continuation-in-part of Ser. No. 22,566, May 9, 1994, Pat. No. Des. 362,881, which is a continuation-in-part of Ser. No. 190,914, Feb. 3, 1994.

[52] U.S. Cl. **D21/201**

[58] Field of Search D21/201, 200;
273/1.5 R, 1.5 A

[56] References Cited

U.S. PATENT DOCUMENTS

D. 216,722	3/1970	Minnette	D21/201
D. 229,430	11/1973	Fortin	D21/201
D. 235,897	7/1975	Breneman	D21/201 X

D. 348,710	7/1994	Tager et al.	D21/201
2,932,511	4/1960	Bemis	273/1.5
3,964,743	6/1976	Salsich, Sr.	273/1.5 R
4,424,968	1/1984	Smith	273/1.5 R
4,478,415	10/1984	Shaffer et al.	273/1.5 R

Primary Examiner—Ted Shooman

Assistant Examiner—Cheri Cohen

Attorney, Agent, or Firm—Howrey & Simon; Richard S. Meyer; Leo J. Jennings

[57] CLAIM

The ornamental design for a front, top, bottom and sides of a basketball backboard, as shown and described.

DESCRIPTION

FIG. 1 is a front elevational view of the front, top, bottom and sides of a basketball backboard showing our new design;

FIG. 2 is a top plan view thereof;

FIG. 3 is a bottom plan view thereof;

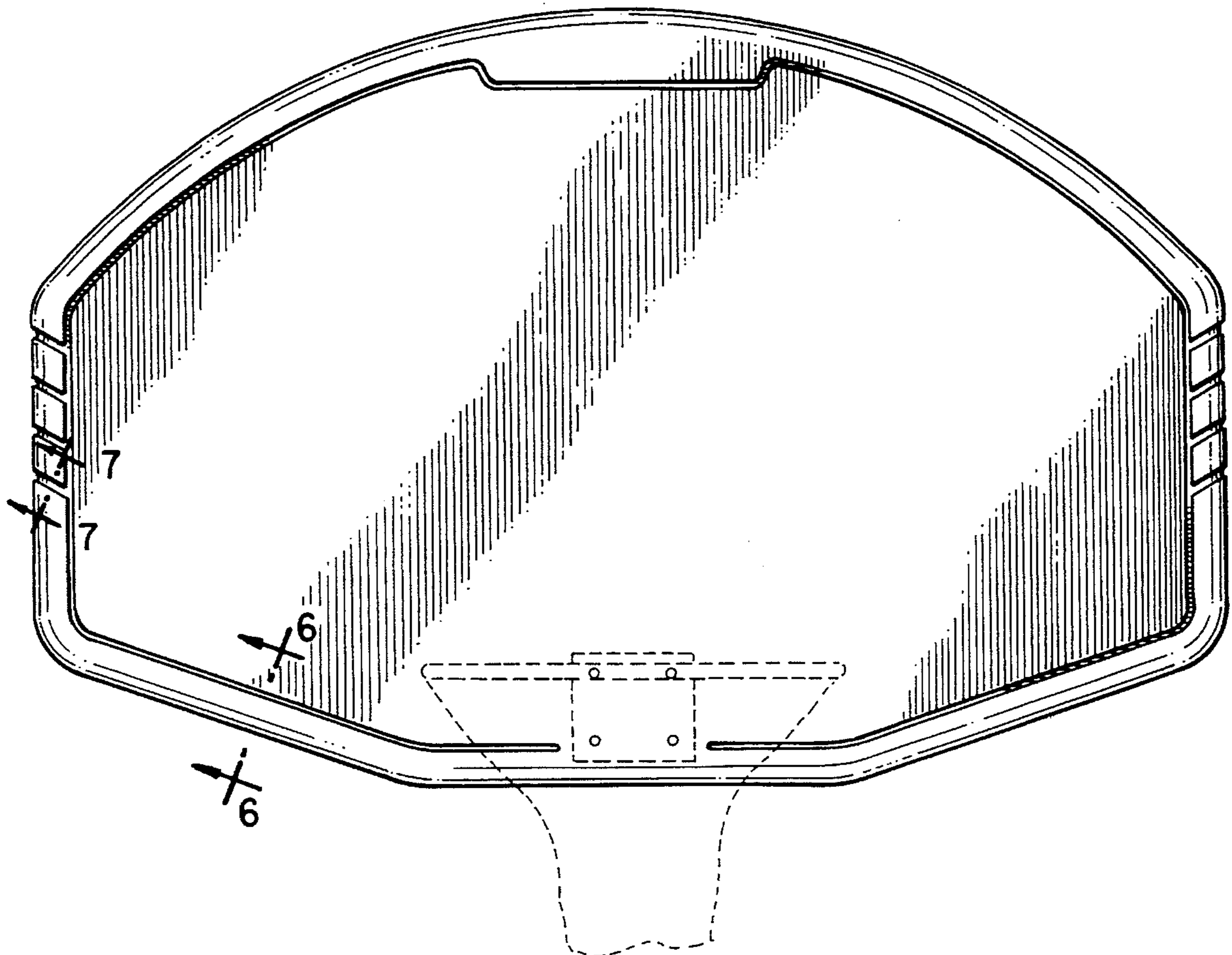
FIG. 4 is a left side elevational view thereof;

FIG. 5 is a right side elevational view thereof;

FIG. 6 is a cross-sectional view taken along line 6—6 in FIG. 1; and,

FIG. 7 is a cross-sectional view taken along line 7—7 in FIG. 1.

1 Claim, 4 Drawing Sheets



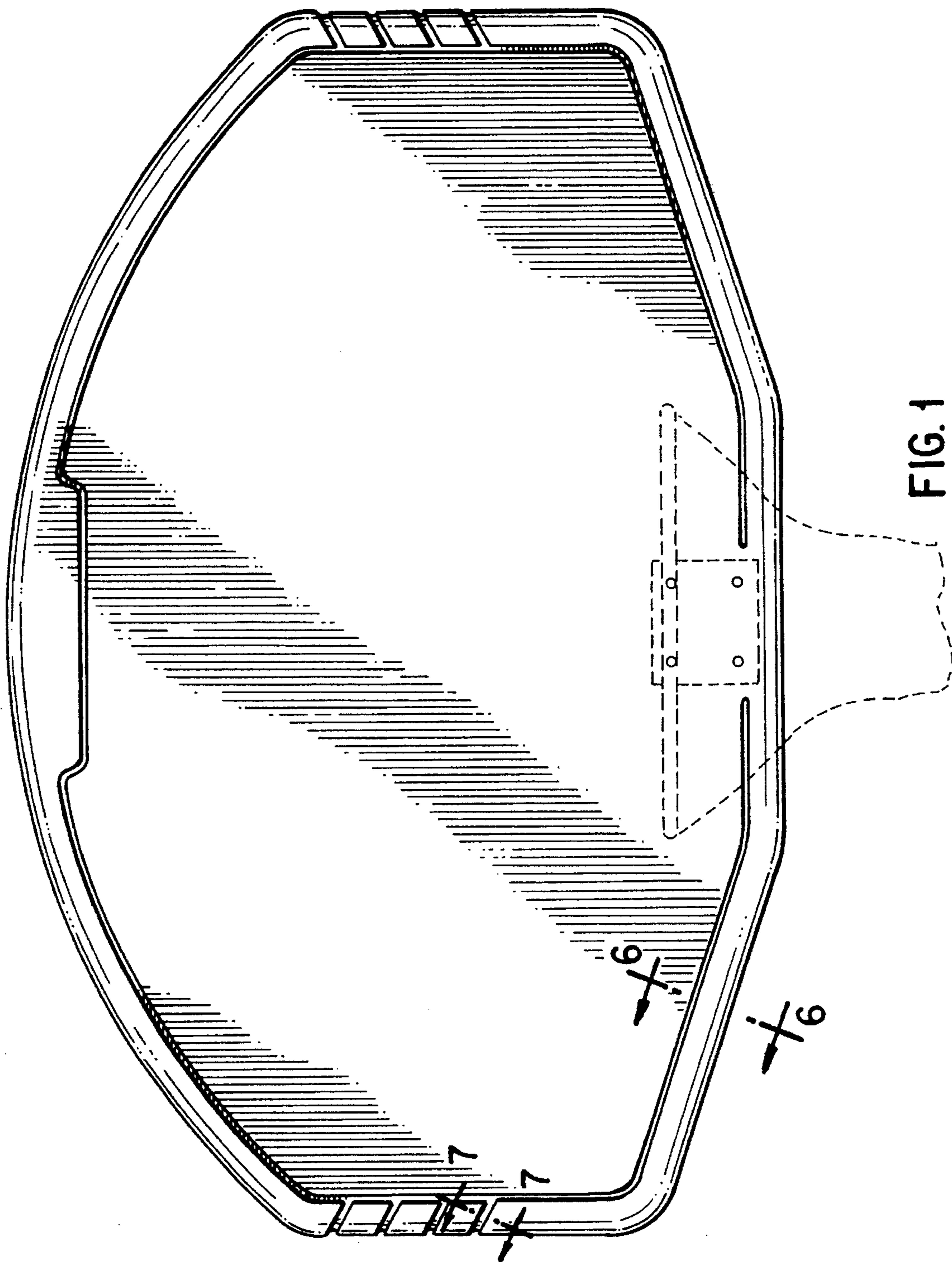


FIG. 1



FIG. 2



FIG. 3



FIG. 5



FIG. 4

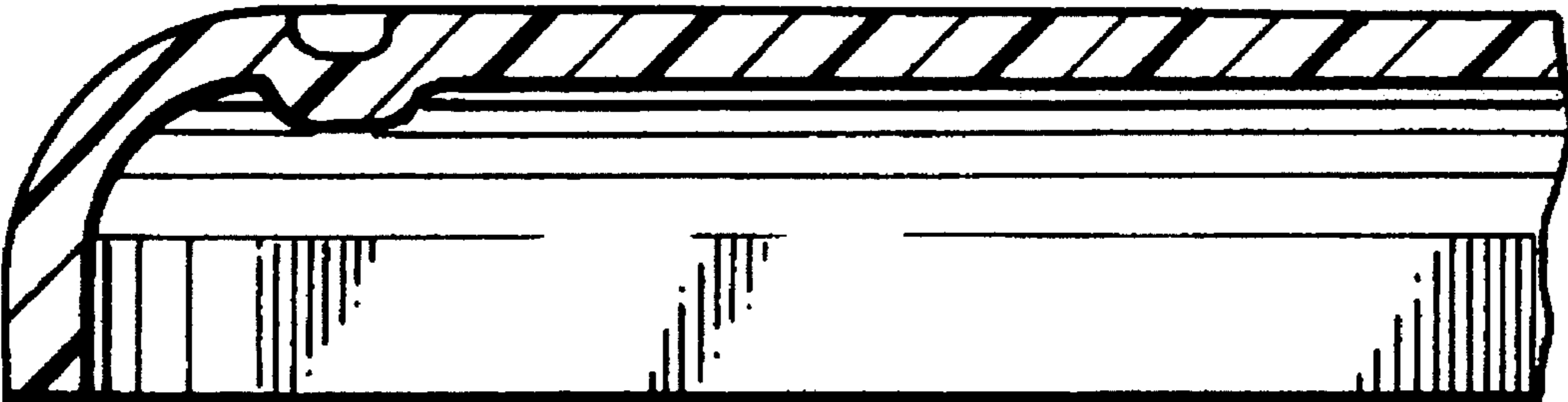


FIG. 6

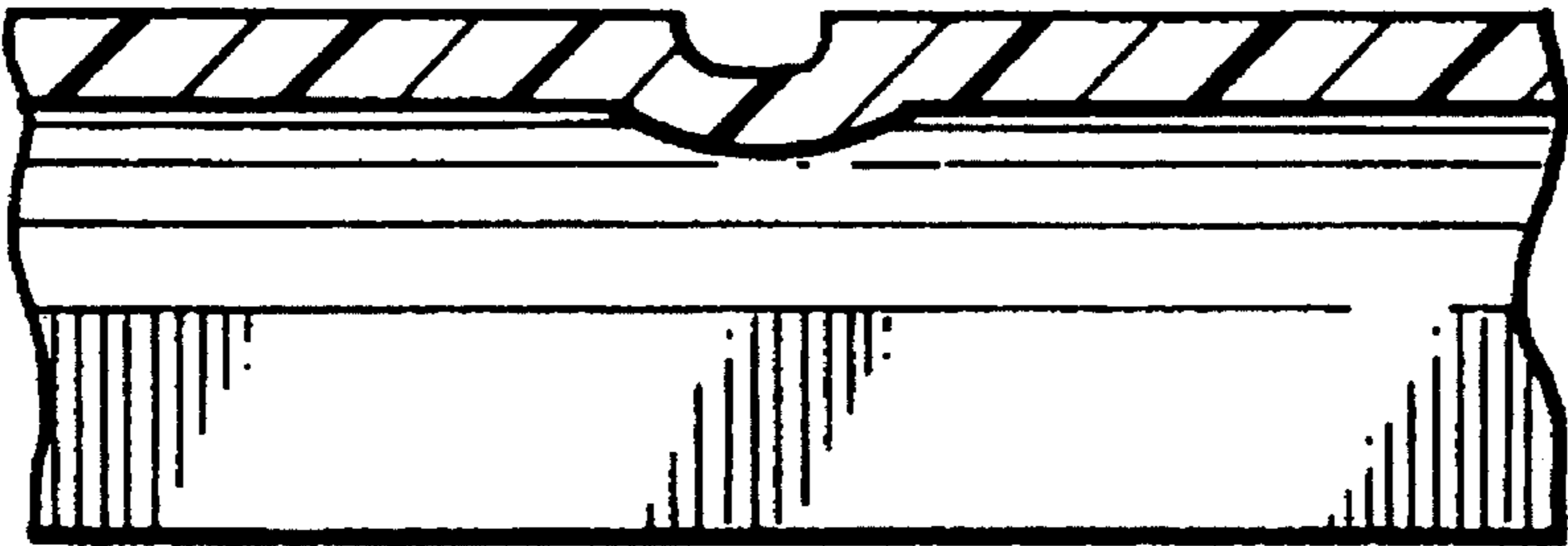


FIG. 7