



US00D371796S

United States Patent [19]

[11] Patent Number: **Des. 371,796**

Diamond

[45] Date of Patent: ****Jul. 16, 1996**

[54] **VHF, UHF ANTENNA**

Attorney, Agent, or Firm—Wolf, Greenfield & Sacks

[76] Inventor: **Maurice Diamond**, 74 Deerfield Rd., Sharon, Mass. 02067

[57] CLAIM

[**] Term: **14 Years**

The ornamental design for a VHF, UHF antenna, as shown and described.

[21] Appl. No.: **40,861**

DESCRIPTION

[22] Filed: **Jun. 29, 1995**

[52] U.S. Cl. **D14/230; D14/234**

[58] Field of Search D14/230, 234; 373/700 R, 720, 757, 785, 793, 805, 807, 872, 900-903

FIG. 1 is a front perspective view of a VHF/UHF antenna showing my new design;

FIG. 2 is a top plan view thereof;

FIG. 3 is a front elevational view thereof;

FIG. 4 is a left side elevational view thereof;

FIG. 5 is a right side elevational view thereof;

FIG. 6 is a rear elevational view thereof;

FIG. 7 is a bottom plan view thereof;

FIG. 8 is a front perspective view of a second embodiment of FIG. 1;

FIG. 9 is a front elevational view of FIG. 8;

FIG. 10 is a left side elevational view of FIG. 8;

FIG. 11 is a right side elevational view of FIG. 8; and,

FIG. 12 is a rear elevational view of FIG. 8.

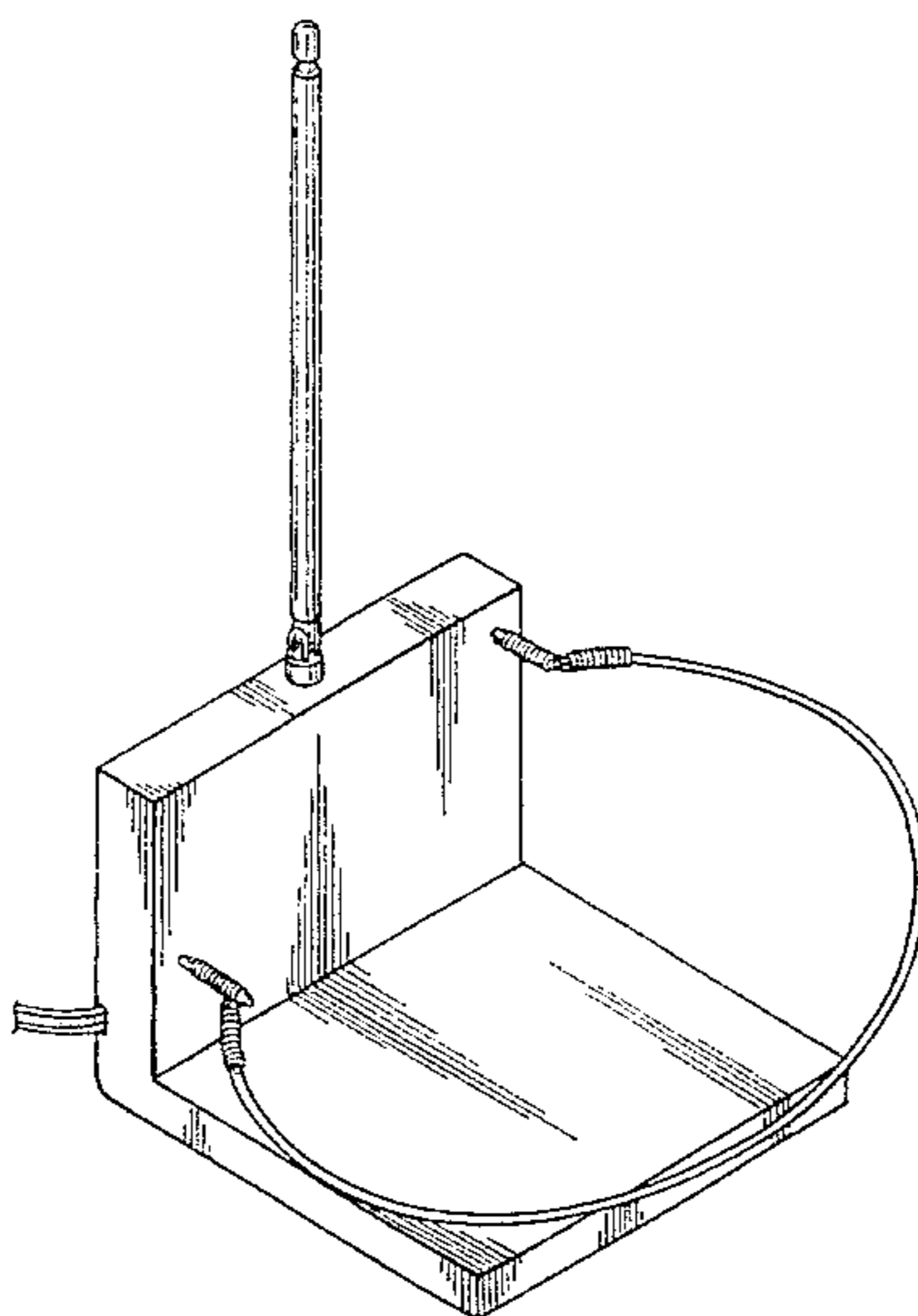
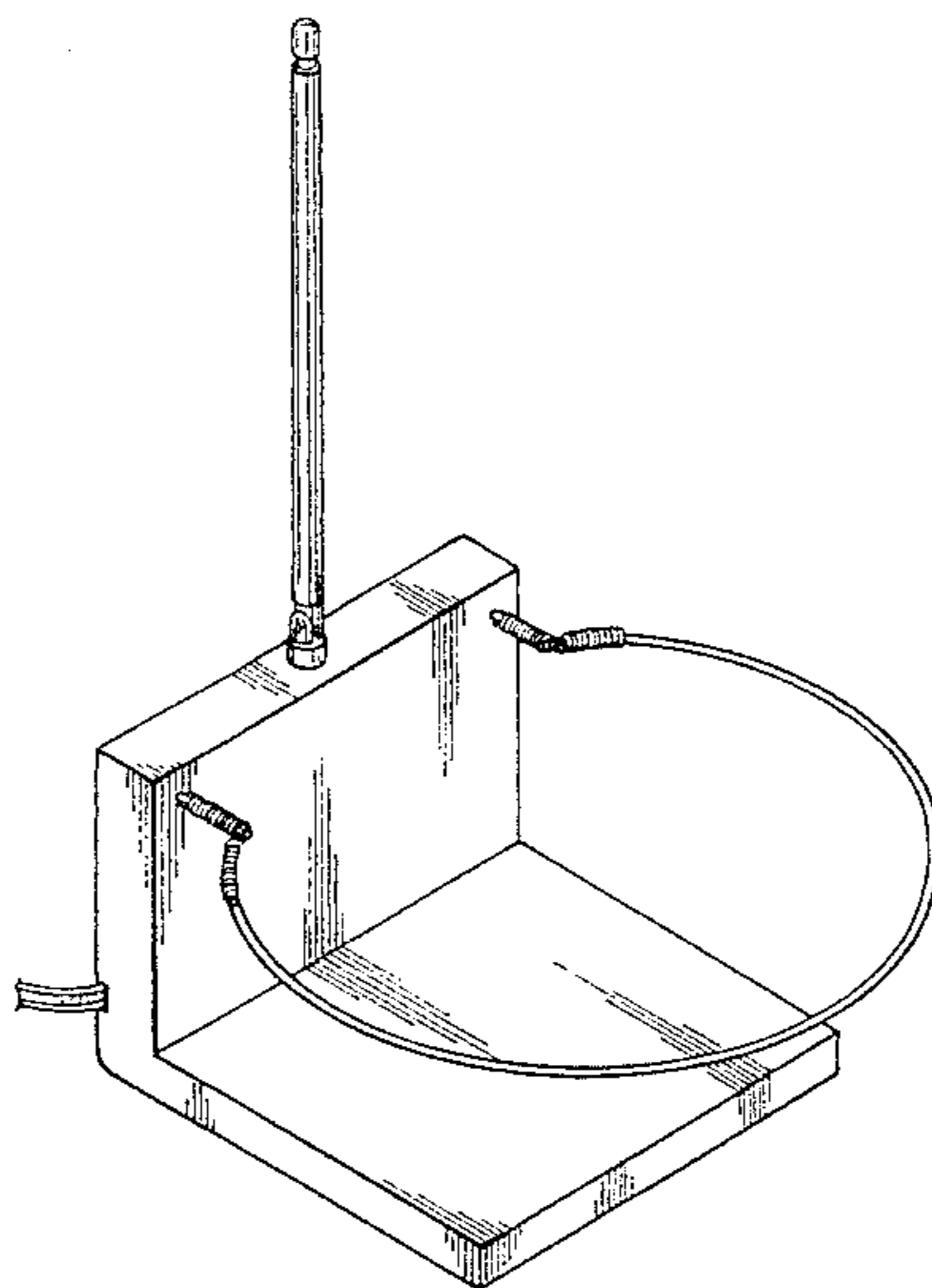
[56] References Cited

U.S. PATENT DOCUMENTS

D. 171,560	2/1954	Rutter	D14/230
D. 180,158	4/1957	Raftis	D14/234
D. 218,523	8/1970	Middlemark	D14/234
D. 303,392	9/1989	Tai	D14/234
D. 347,010	5/1994	Emmeiling	D14/230

Primary Examiner—Dominic Simone

1 Claim, 4 Drawing Sheets



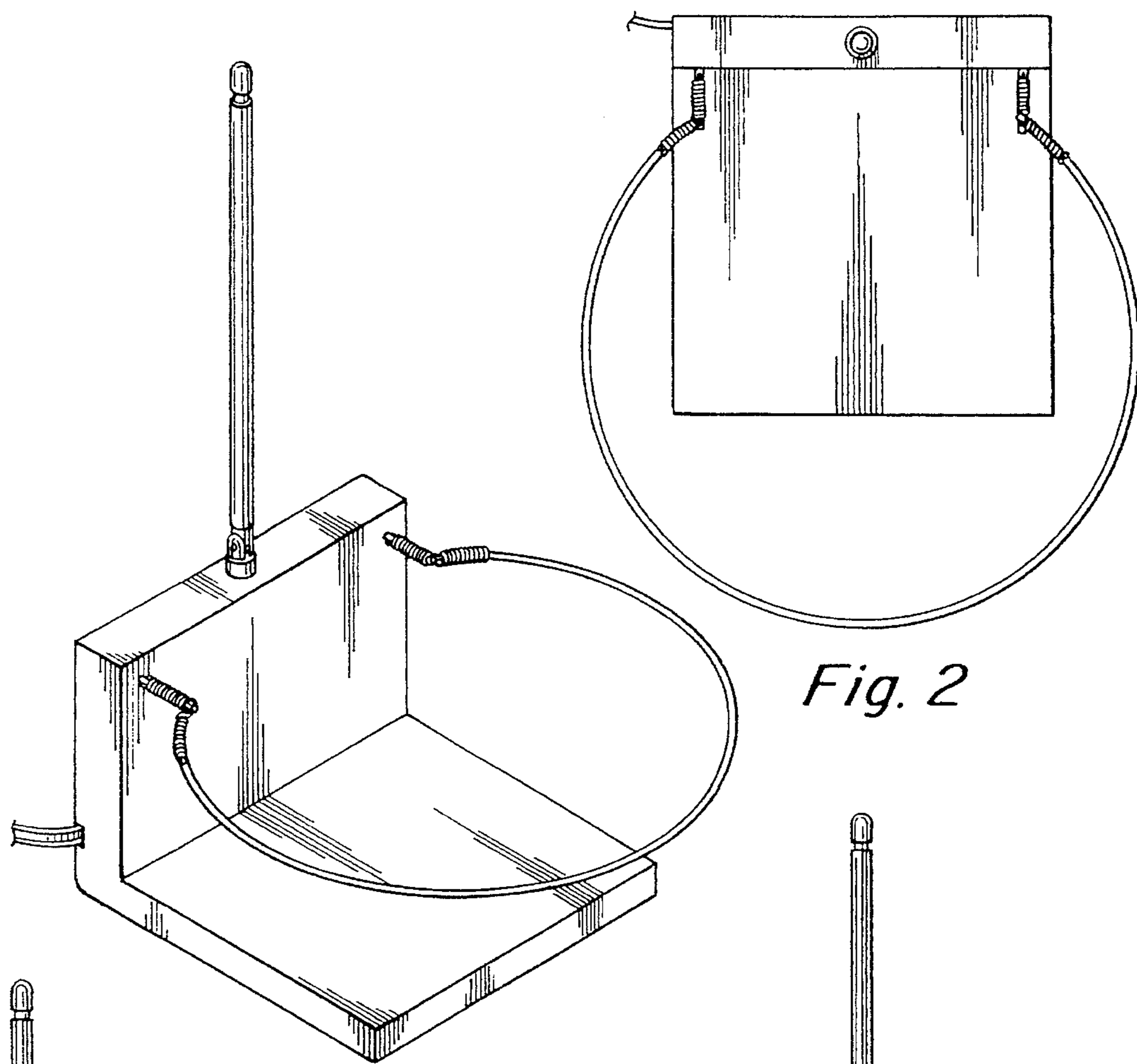


Fig. 1

Fig. 2

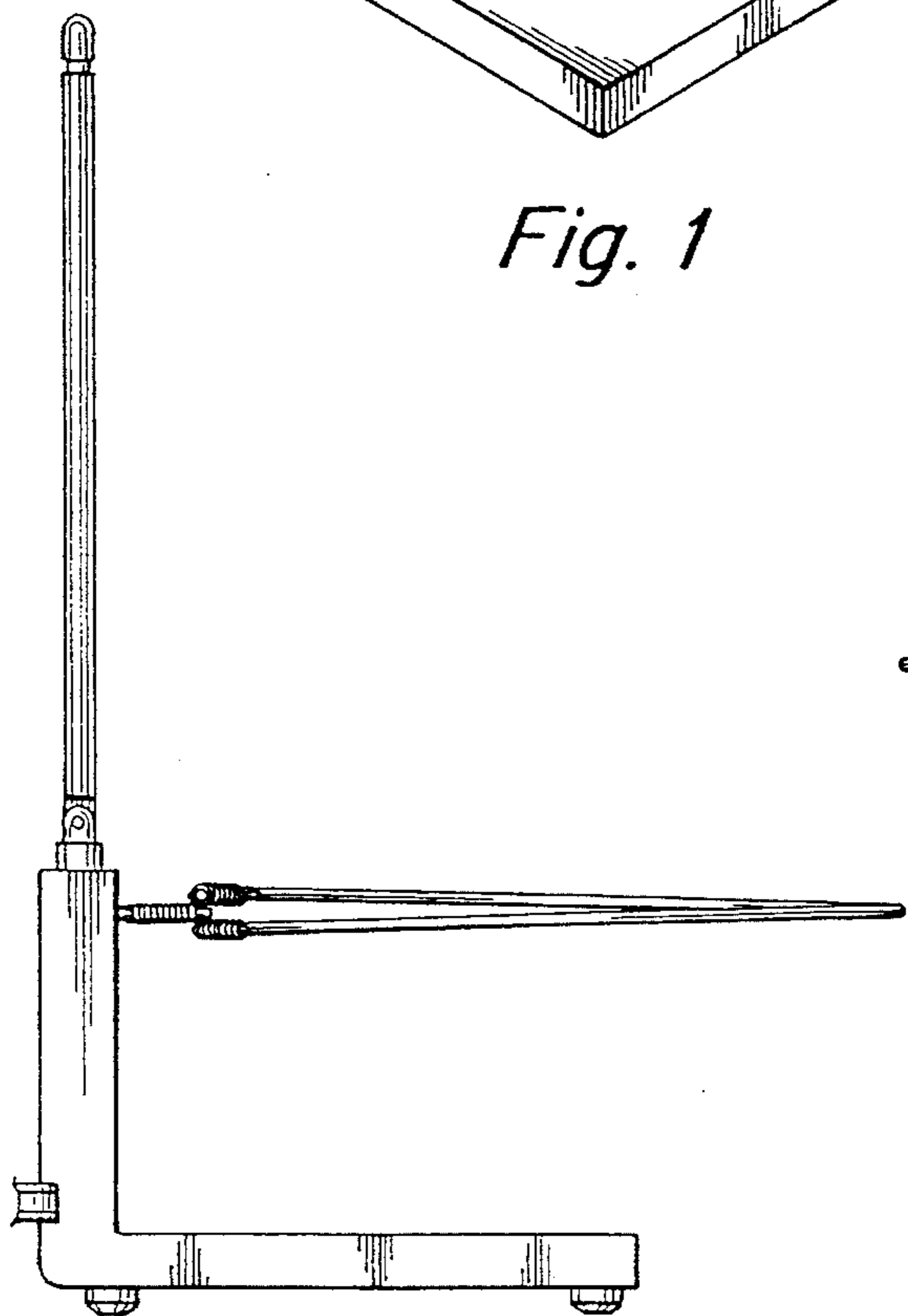


Fig. 4

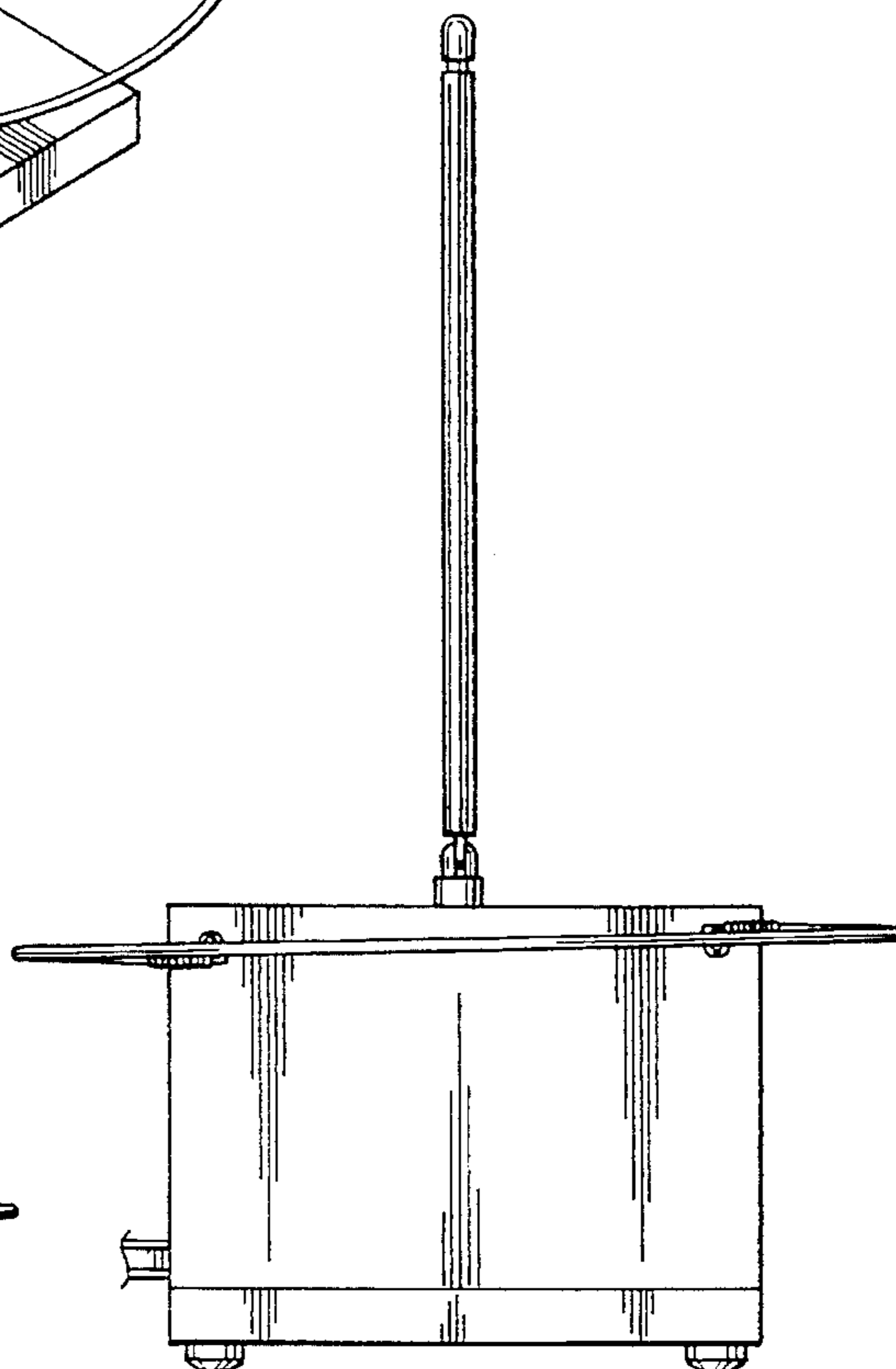


Fig. 3

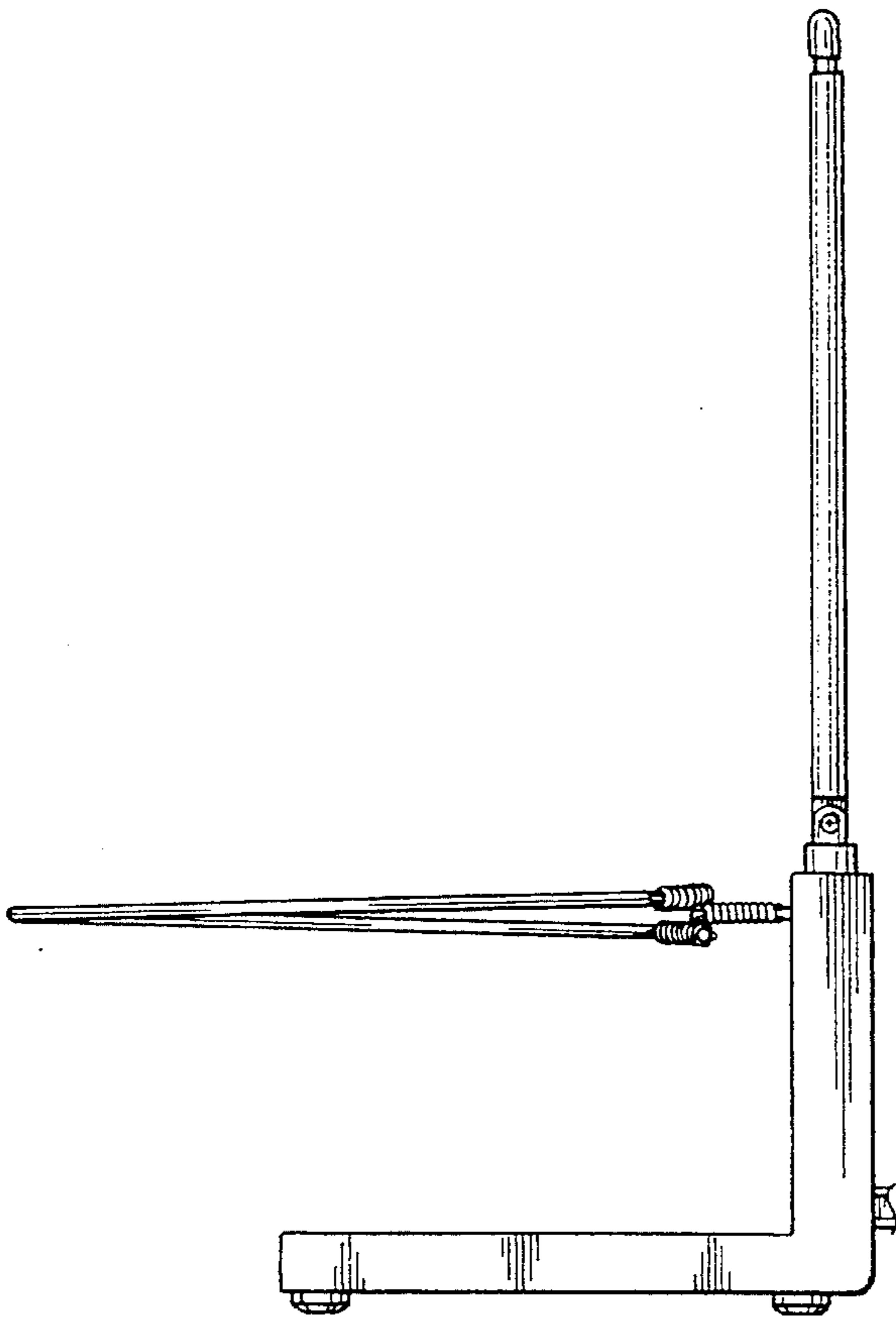


Fig. 5

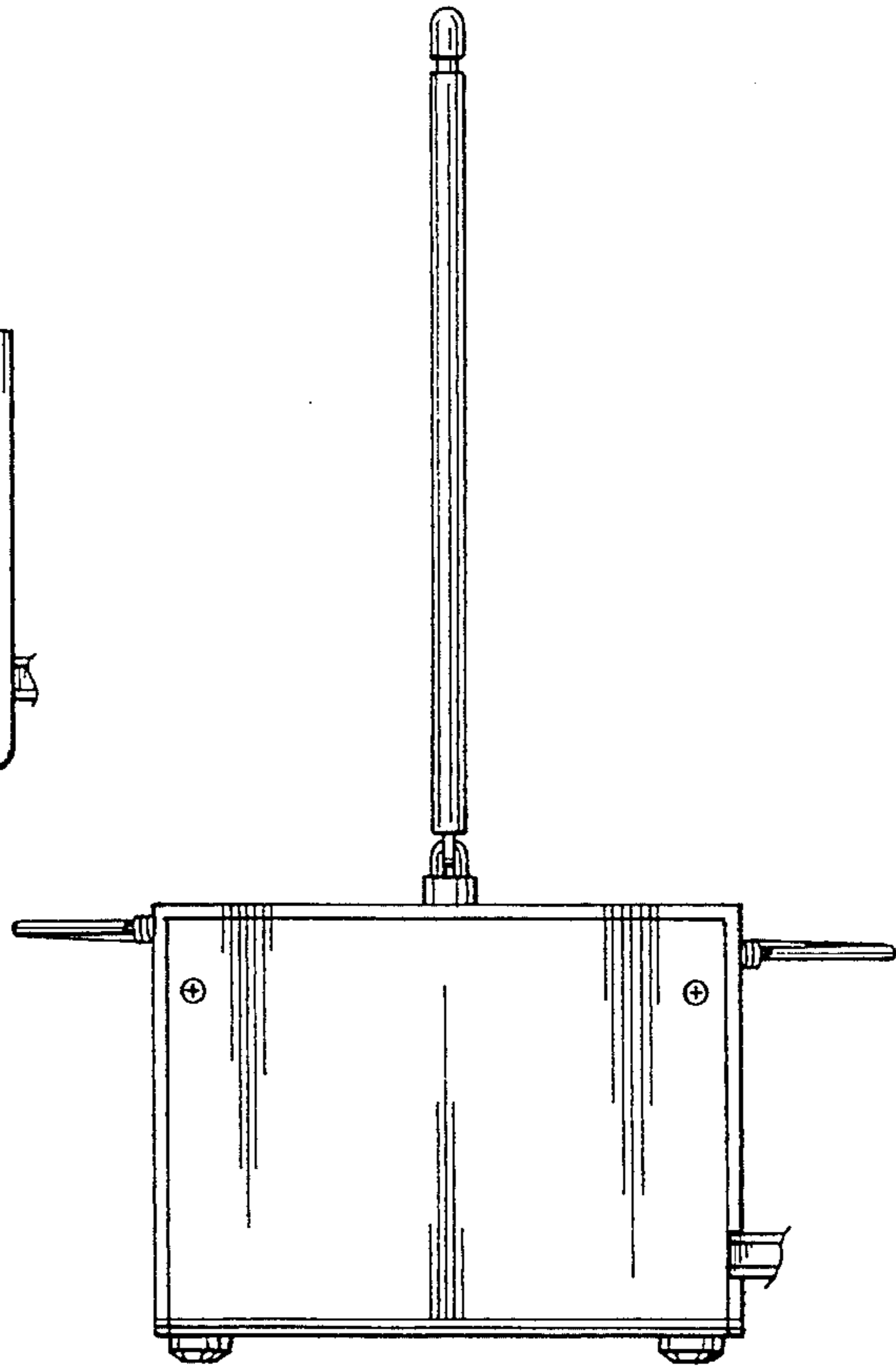


Fig. 6

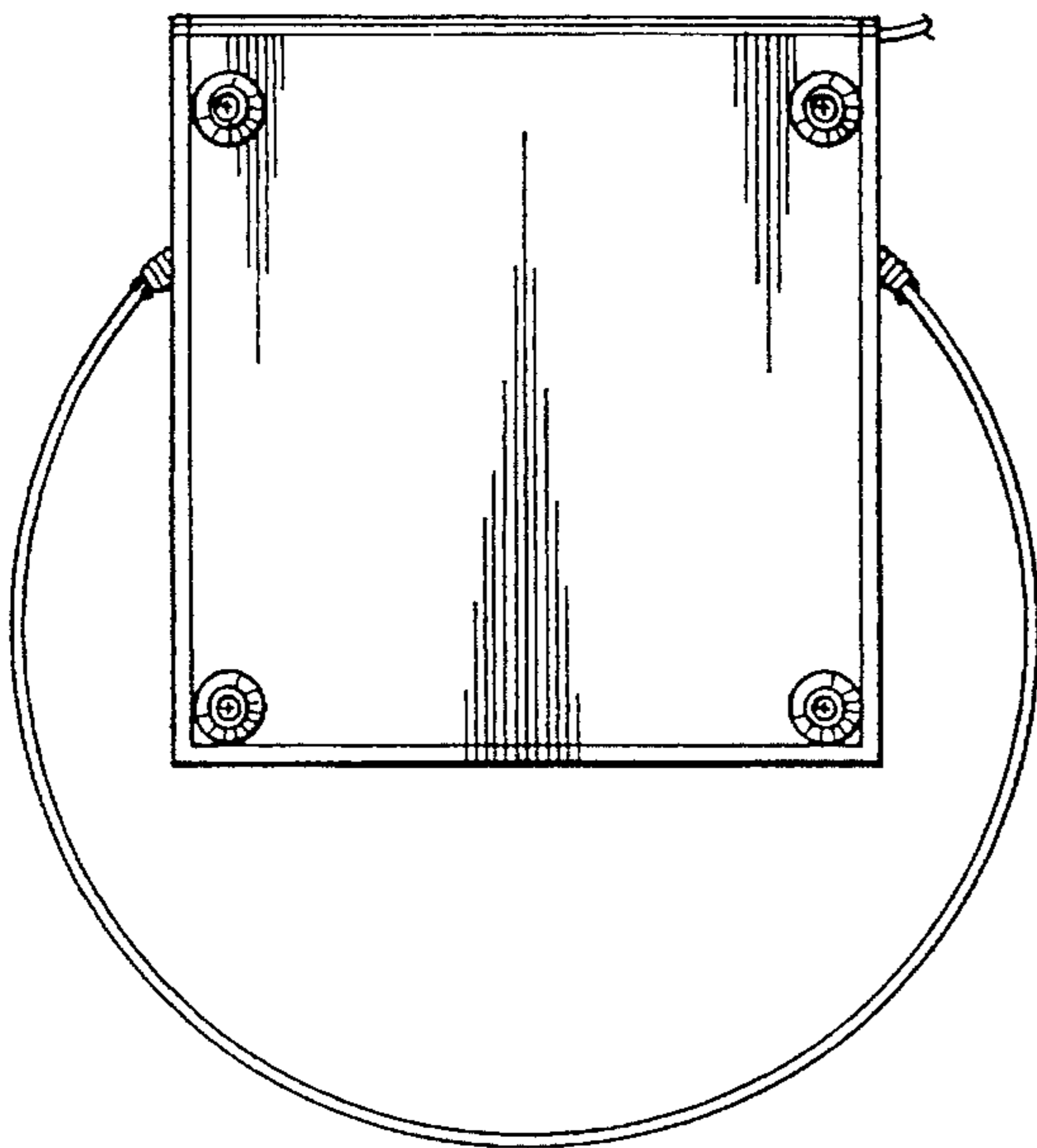


Fig. 7

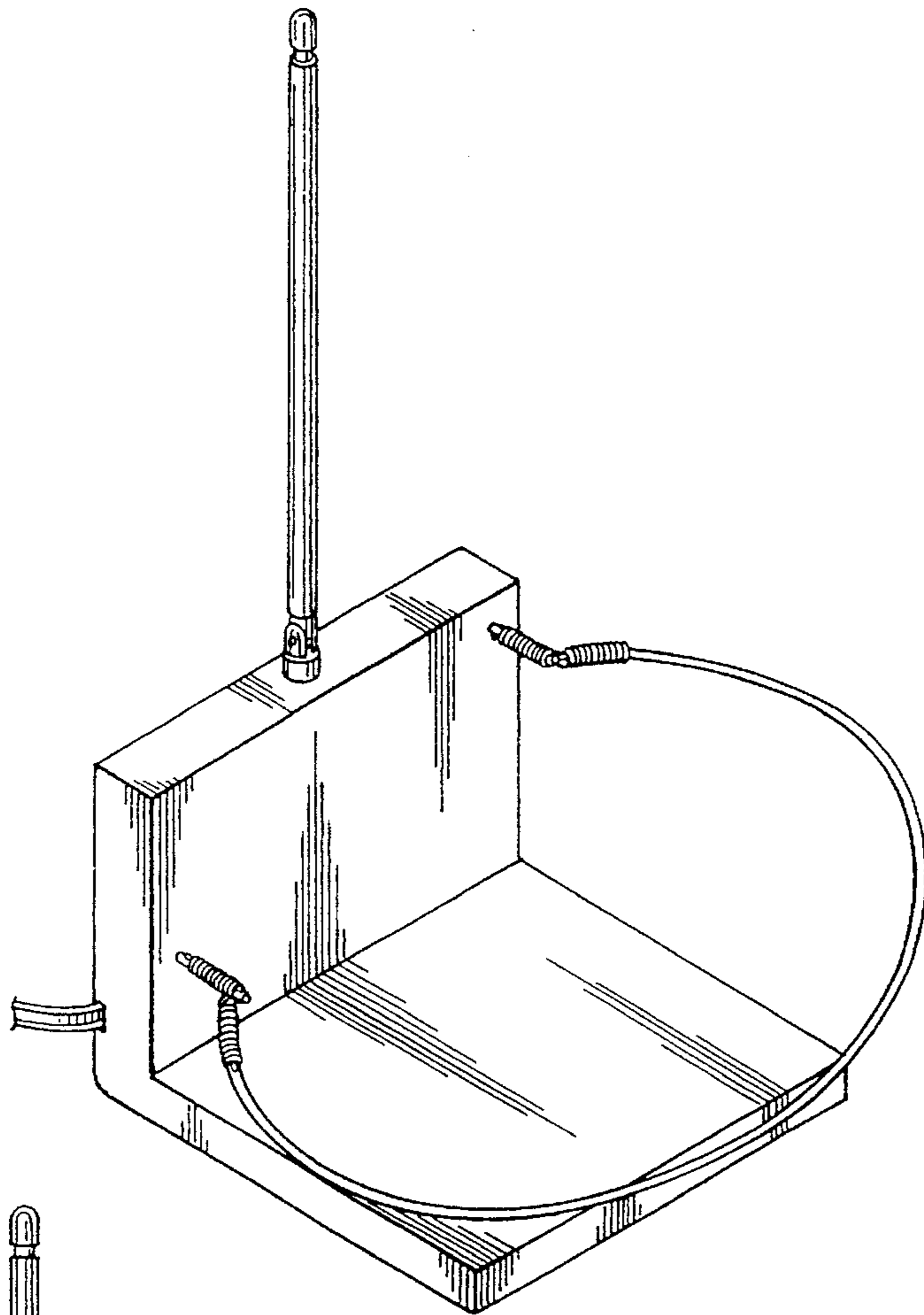


Fig. 8

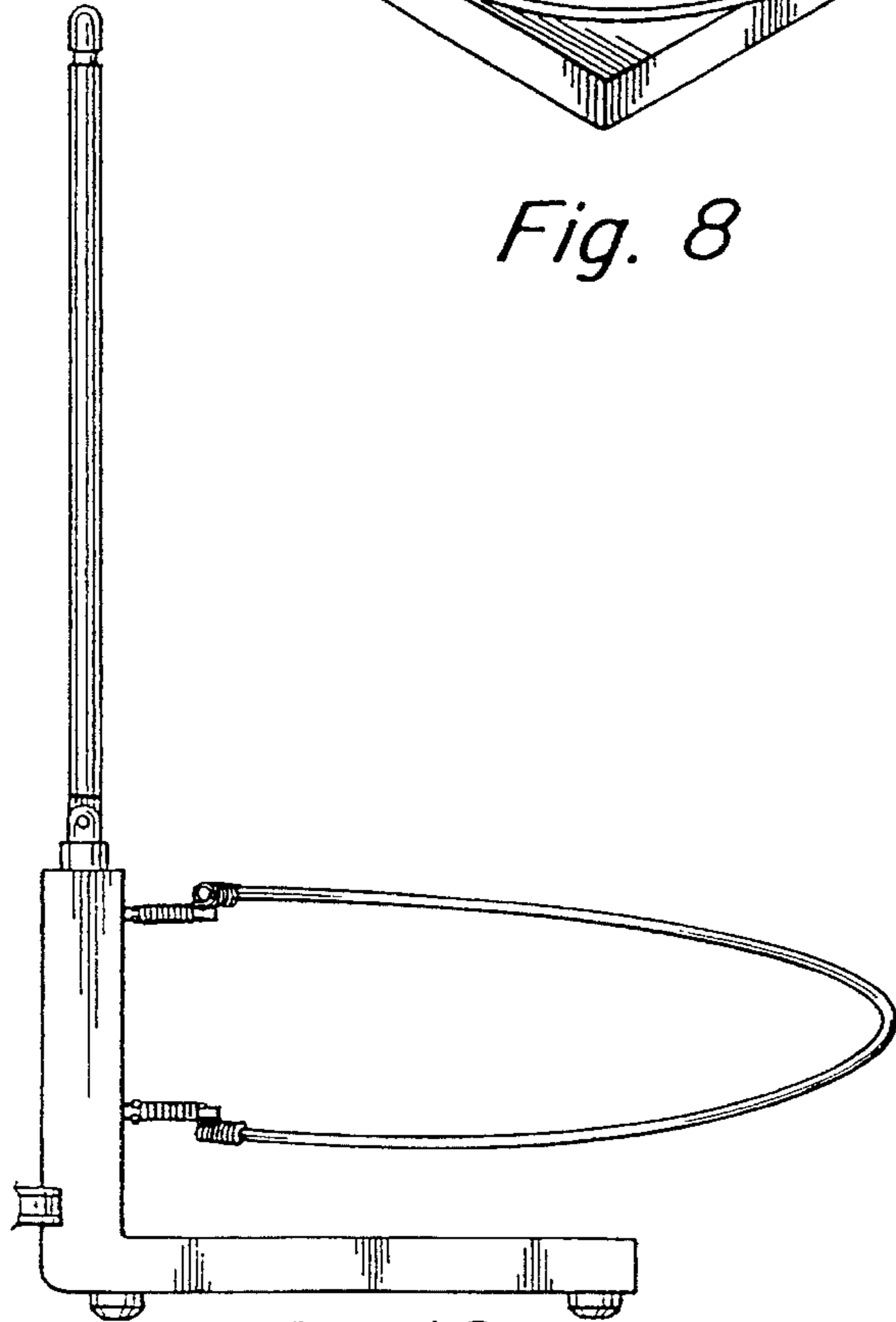


Fig. 10

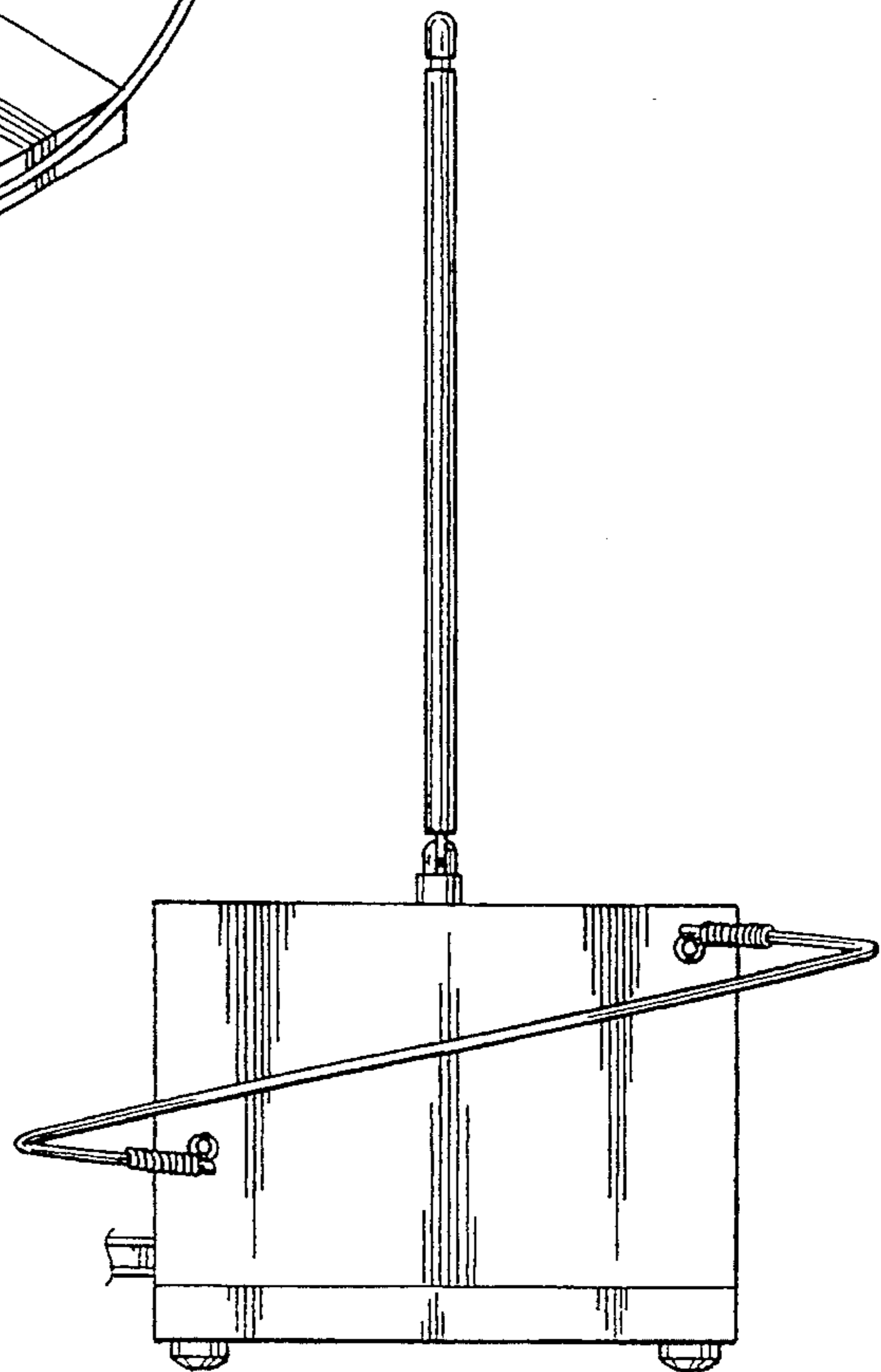


Fig. 9

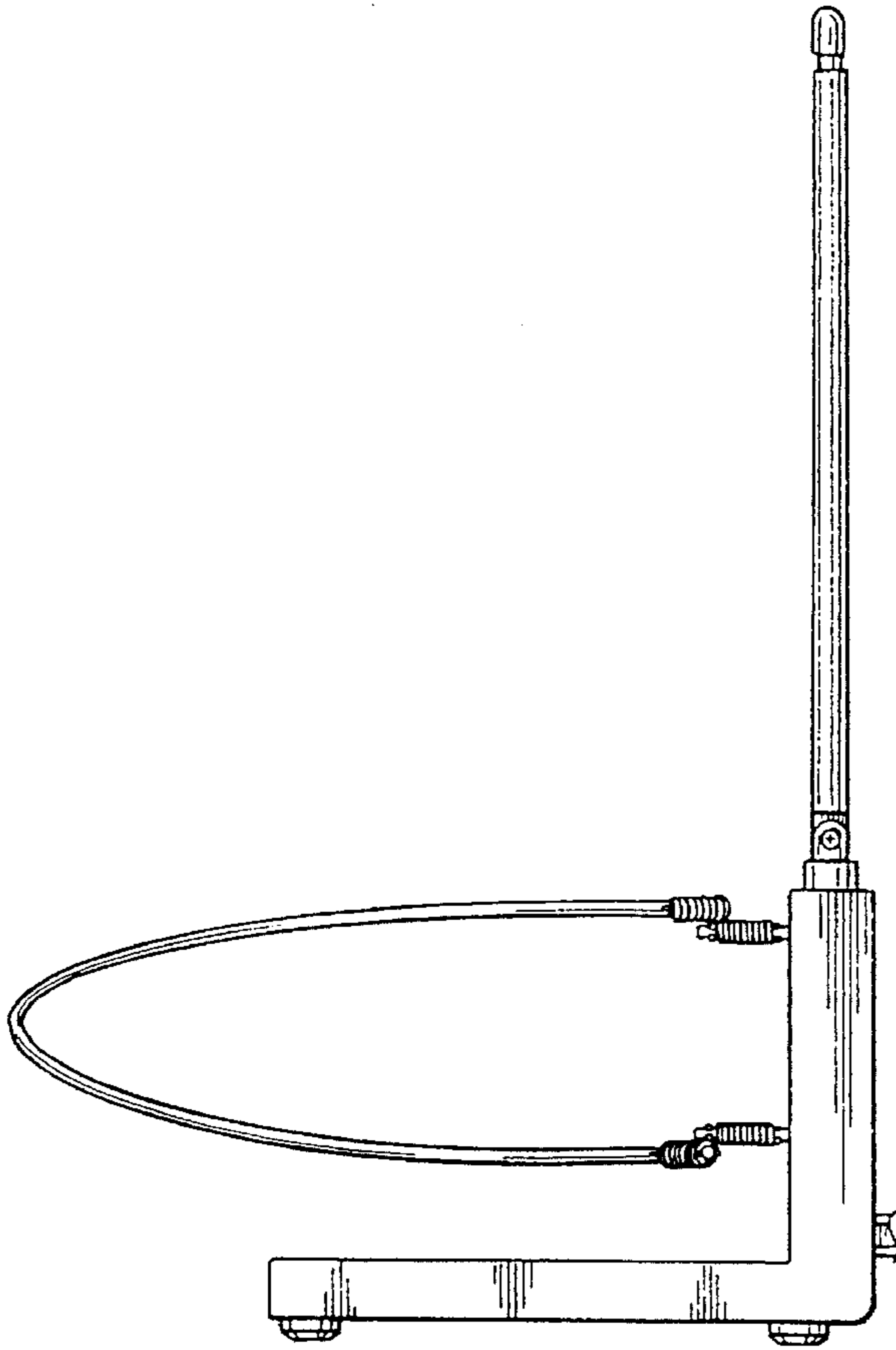


Fig. 11

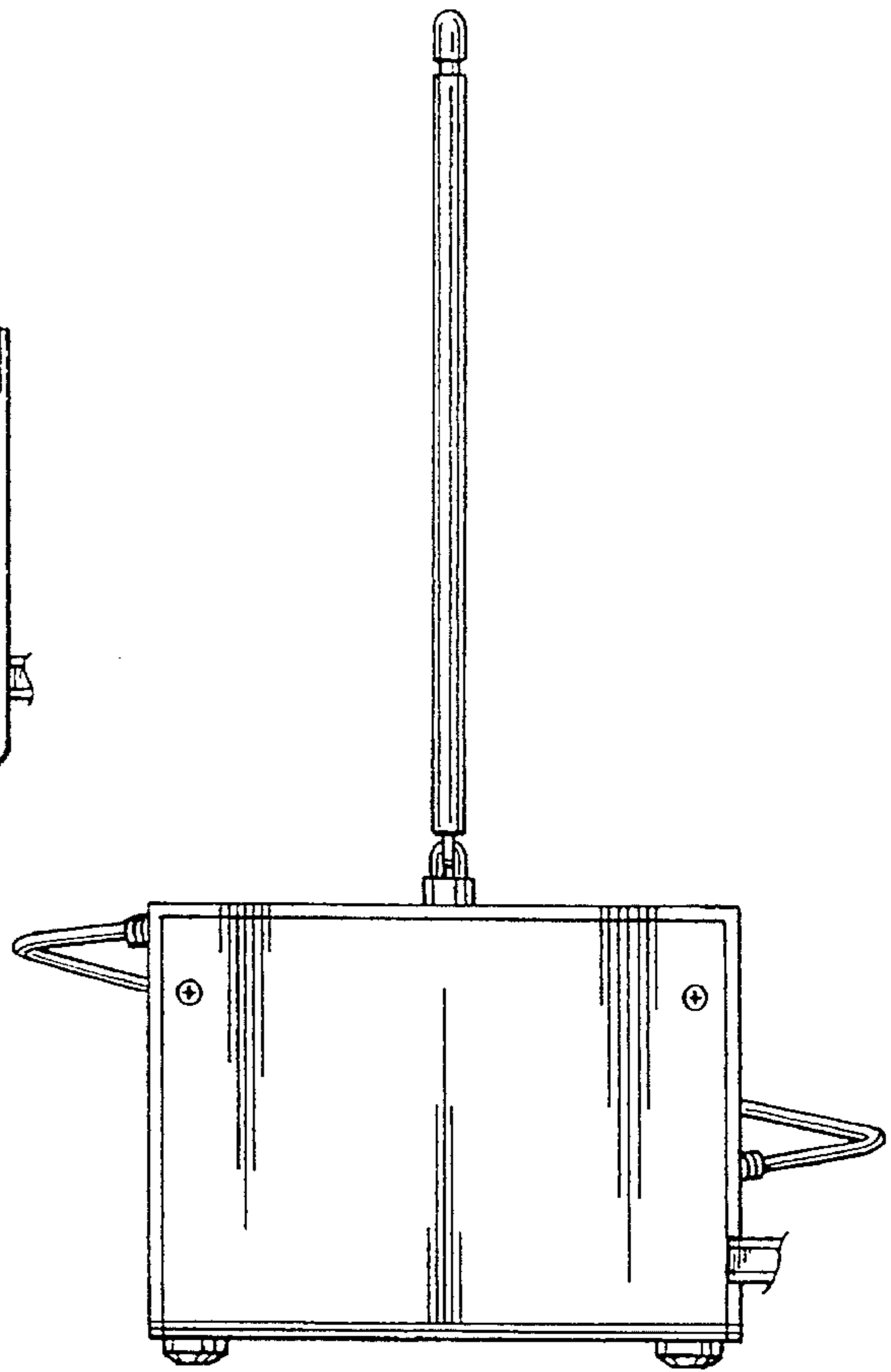


Fig. 12