



US00D371786S

United States Patent [19]

Maeyama

[11] Patent Number: **Des. 371,786**

[45] Date of Patent: ****Jul. 16, 1996**

[54] **COMBINED RADIO RECEIVER AND TELESCOPE**

[75] Inventor: **Kohichi Maeyama**, Kanagawa-ken, Japan

[73] Assignee: **Sony Corporation**, Tokyo, Japan

[**] Term: **14 Years**

[21] Appl. No.: **18,334**

[22] Filed: **Feb. 3, 1994**

[30] **Foreign Application Priority Data**

Aug. 4, 1993 [JP] Japan 5-23709

[52] U.S. Cl. **D14/168**; D16/132; D16/133

[58] Field of Search D14/169, 170, D14/172, 188, 194-198, 265, 299; D16/130, 132-133, 202, 208; 359/402, 407, 409, 419; 455/344, 347, 350-351

[56] **References Cited**

U.S. PATENT DOCUMENTS

D. 313,020	12/1990	Ichikawa	D14/192
D. 314,203	1/1991	Shinano	D16/202
D. 314,580	2/1991	Shinano	D16/202
D. 329,429	9/1992	Sandberg et al.	D14/168 X
D. 347,441	5/1994	Lutter et al.	D16/132
5,235,458	8/1993	Akagi et al.	359/419 X

FOREIGN PATENT DOCUMENTS

1422735 10/1968 Germany 359/402

OTHER PUBLICATIONS

Petersen's Hunting, Aug. 1990, p. 20, Ranging TLR-75 range finder.

Popular Photography, Dec. 1990, back cover, Minolta Auto-focus Binoculars.

Primary Examiner—Sandra L. Morris

Assistant Examiner—Nanda Bondade

Attorney, Agent, or Firm—Thomas G. Carulli

[57] **CLAIM**

The ornamental design for a combined radio receiver and telescope, as shown and described.

DESCRIPTION

FIG. 1 is a top, front, and right-side perspective view of a combined radio receiver and telescope, showing my new design;

FIG. 2 is a front elevational view thereof;

FIG. 3 is a rear elevational view thereof;

FIG. 4 is a left-side elevational thereof;

FIG. 5 is a right-side elevational thereof;

FIG. 6 is a top plan view thereof; and,

FIG. 7 is a bottom plan view thereof.

1 Claim, 3 Drawing Sheets

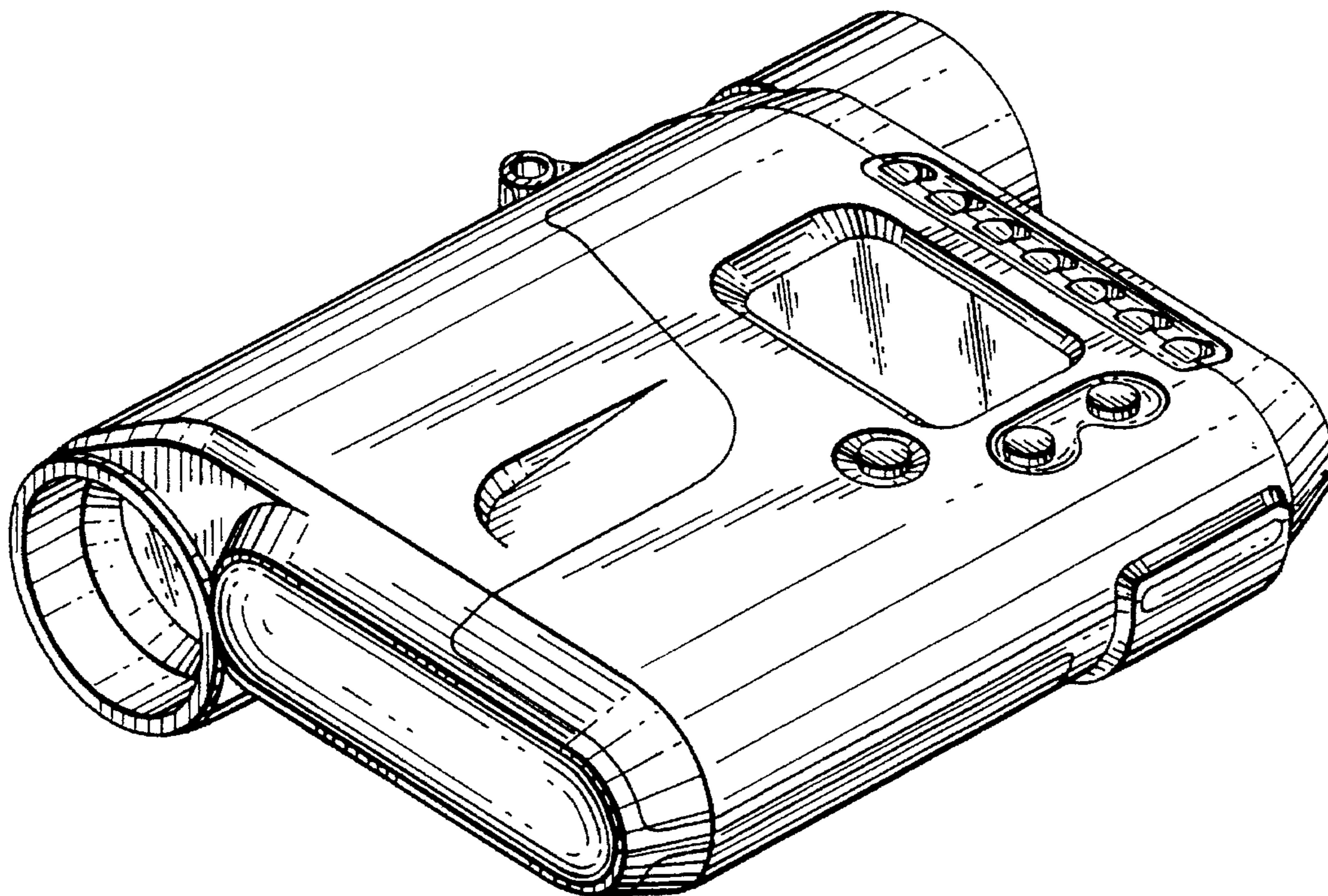


FIG.1

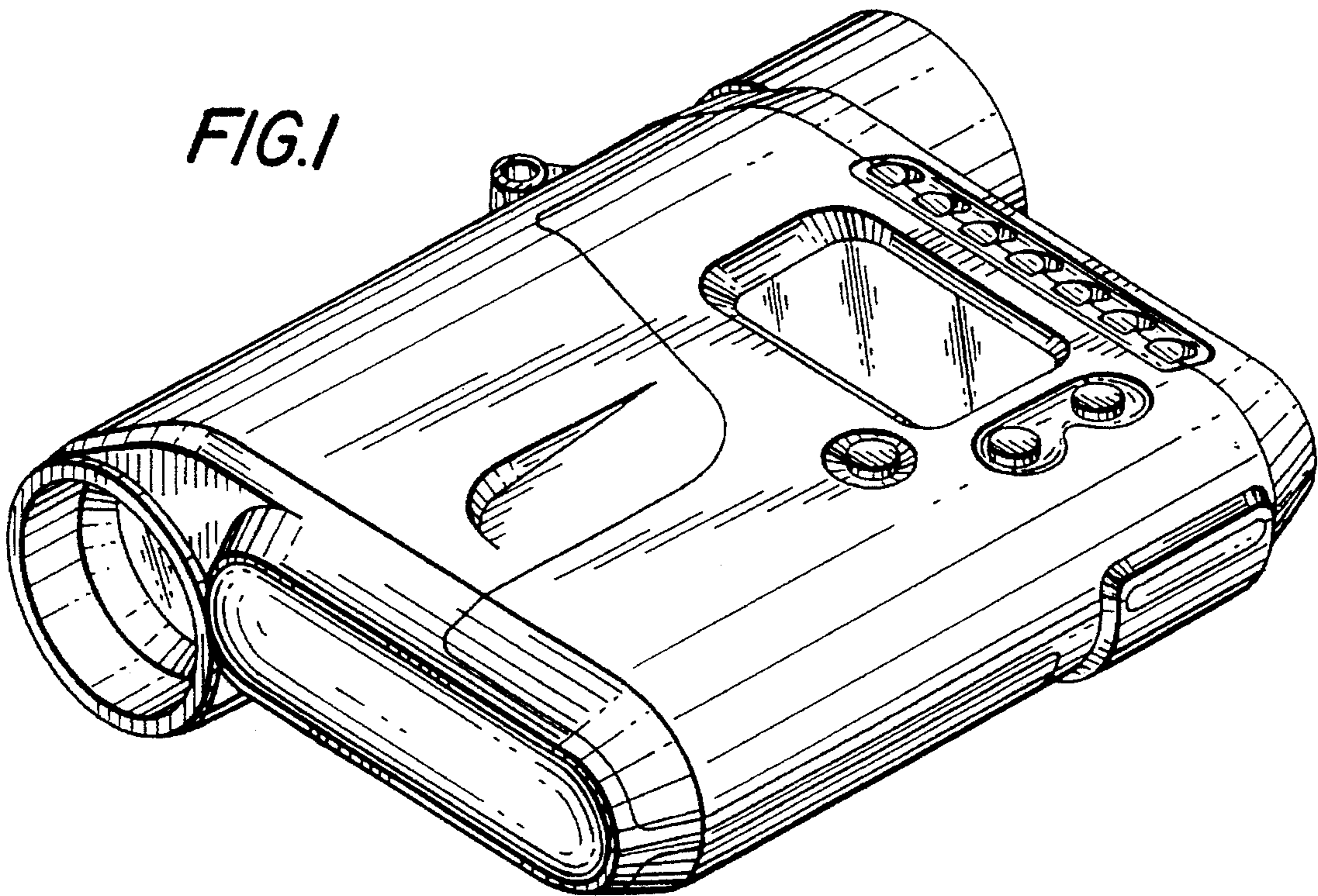


FIG.2

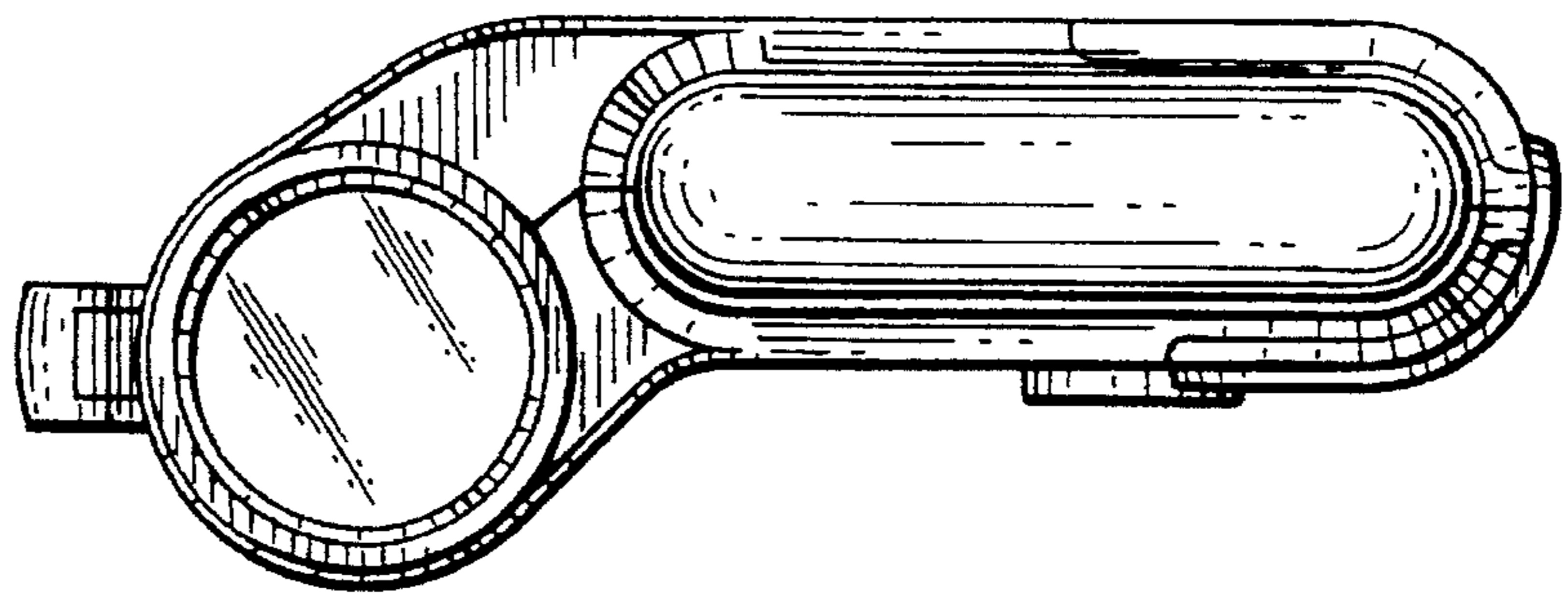


FIG.3

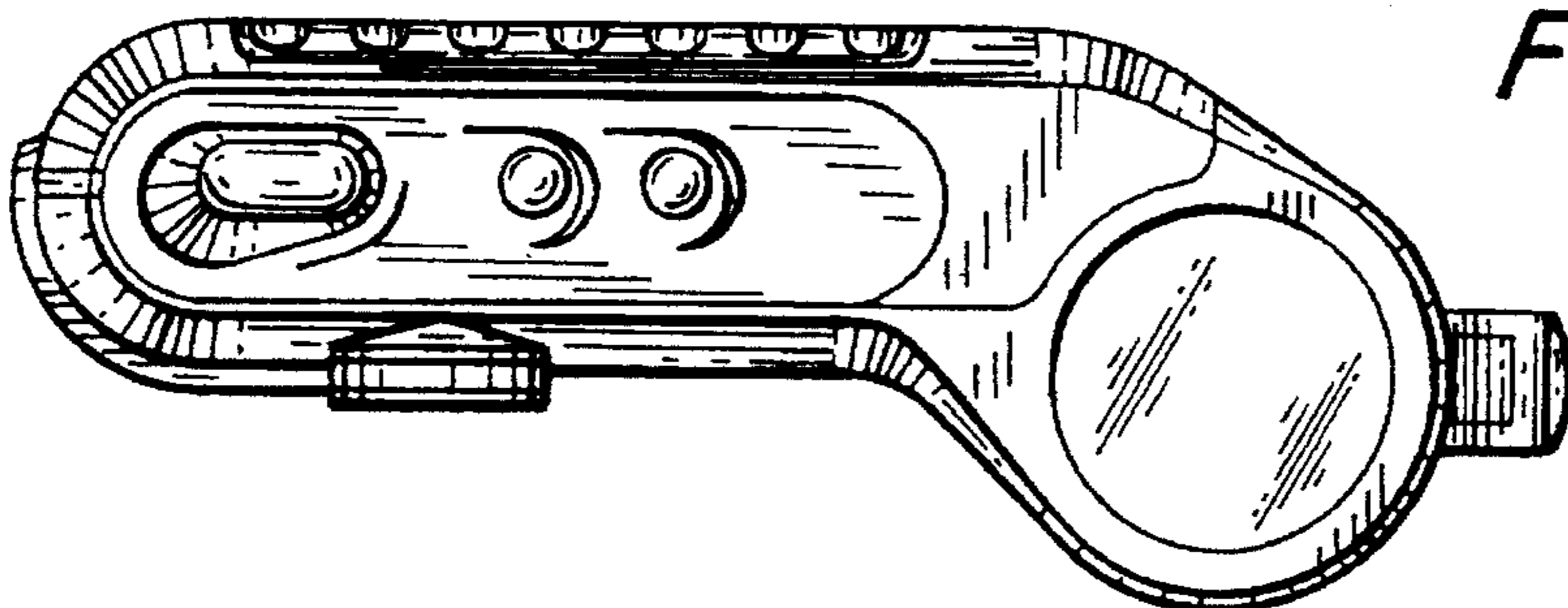


FIG. 4

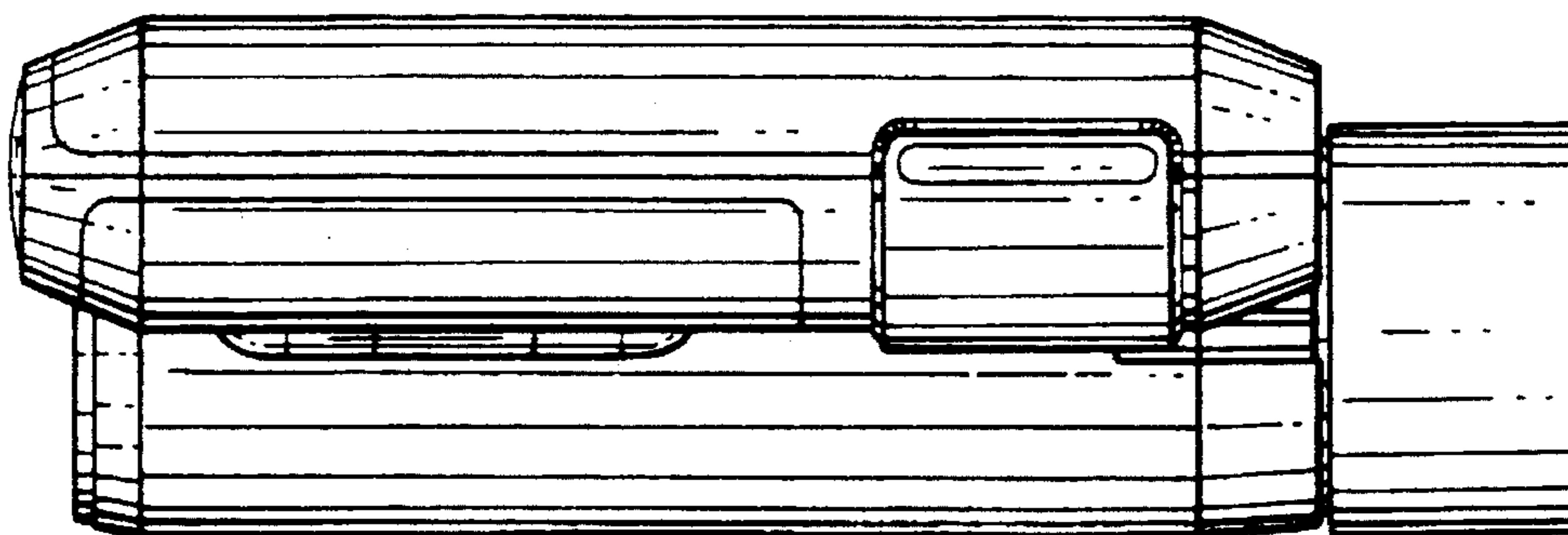
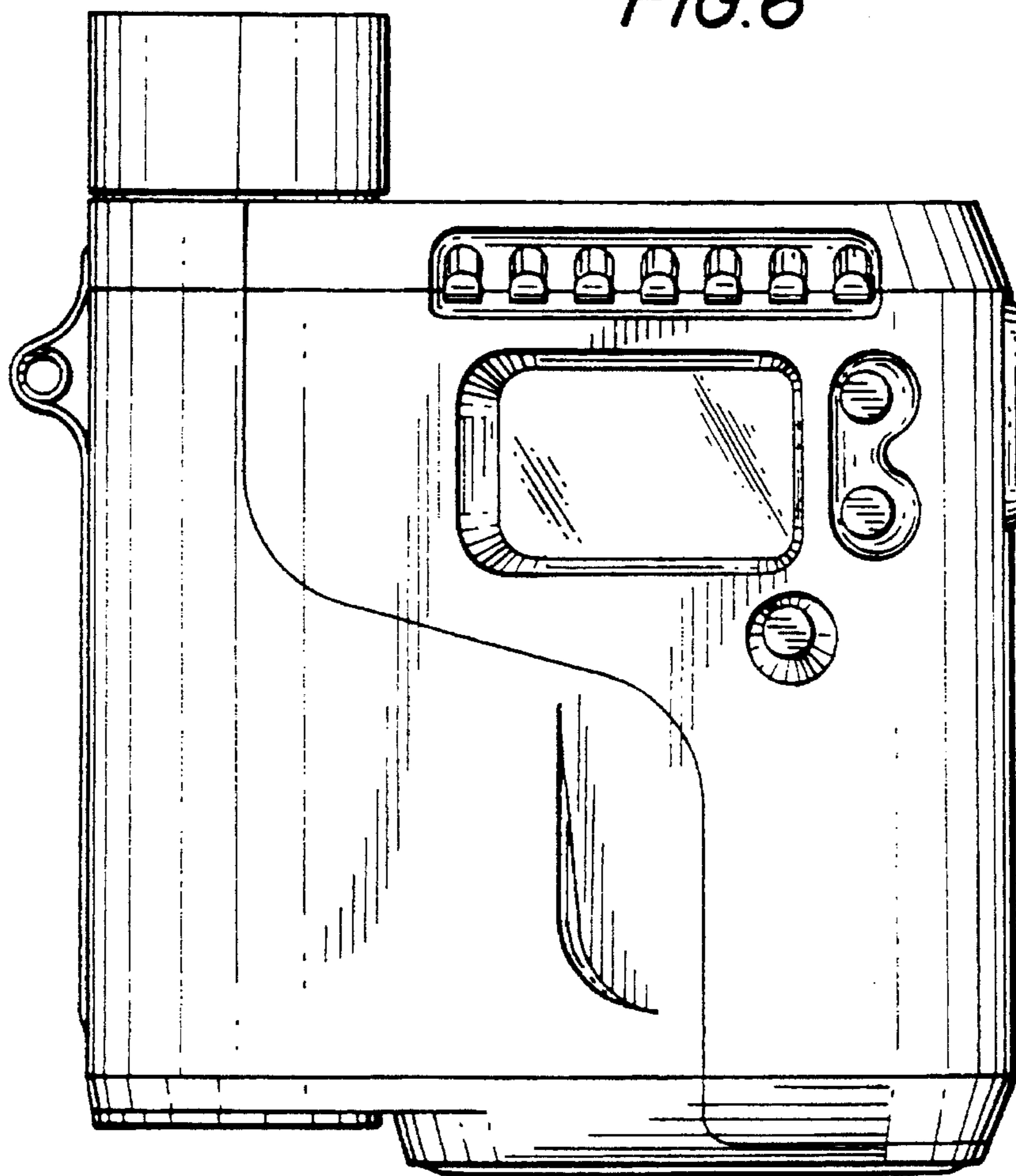


FIG. 6



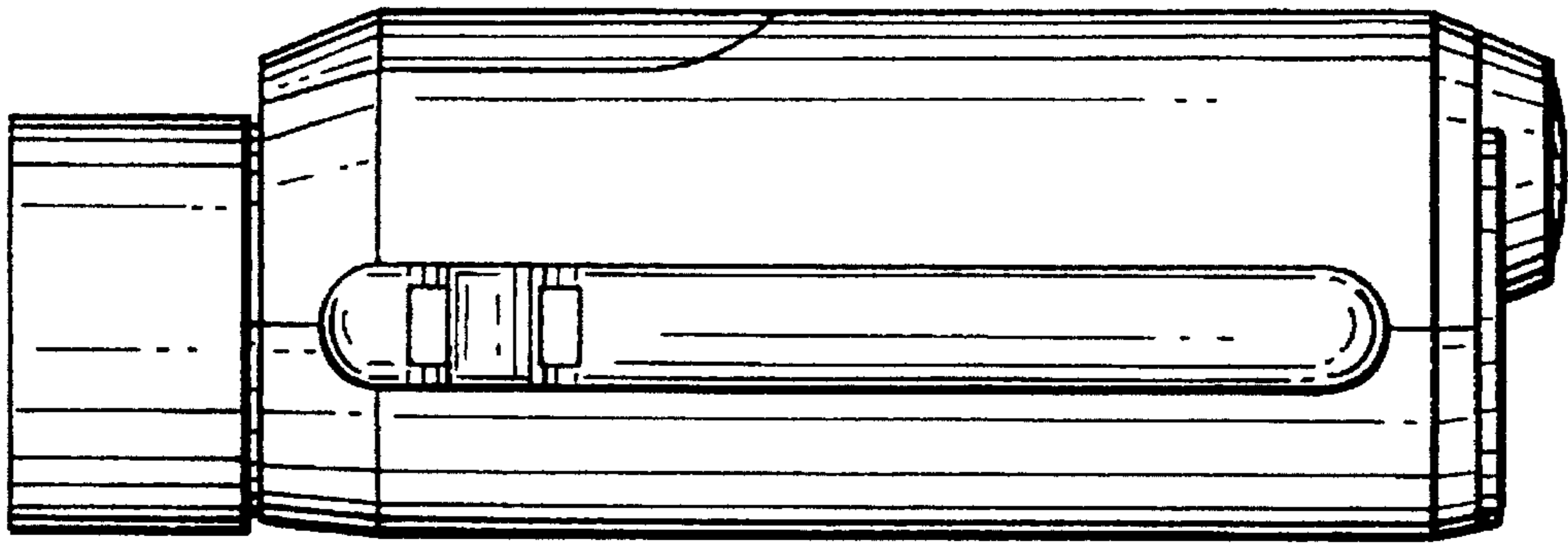


FIG. 5

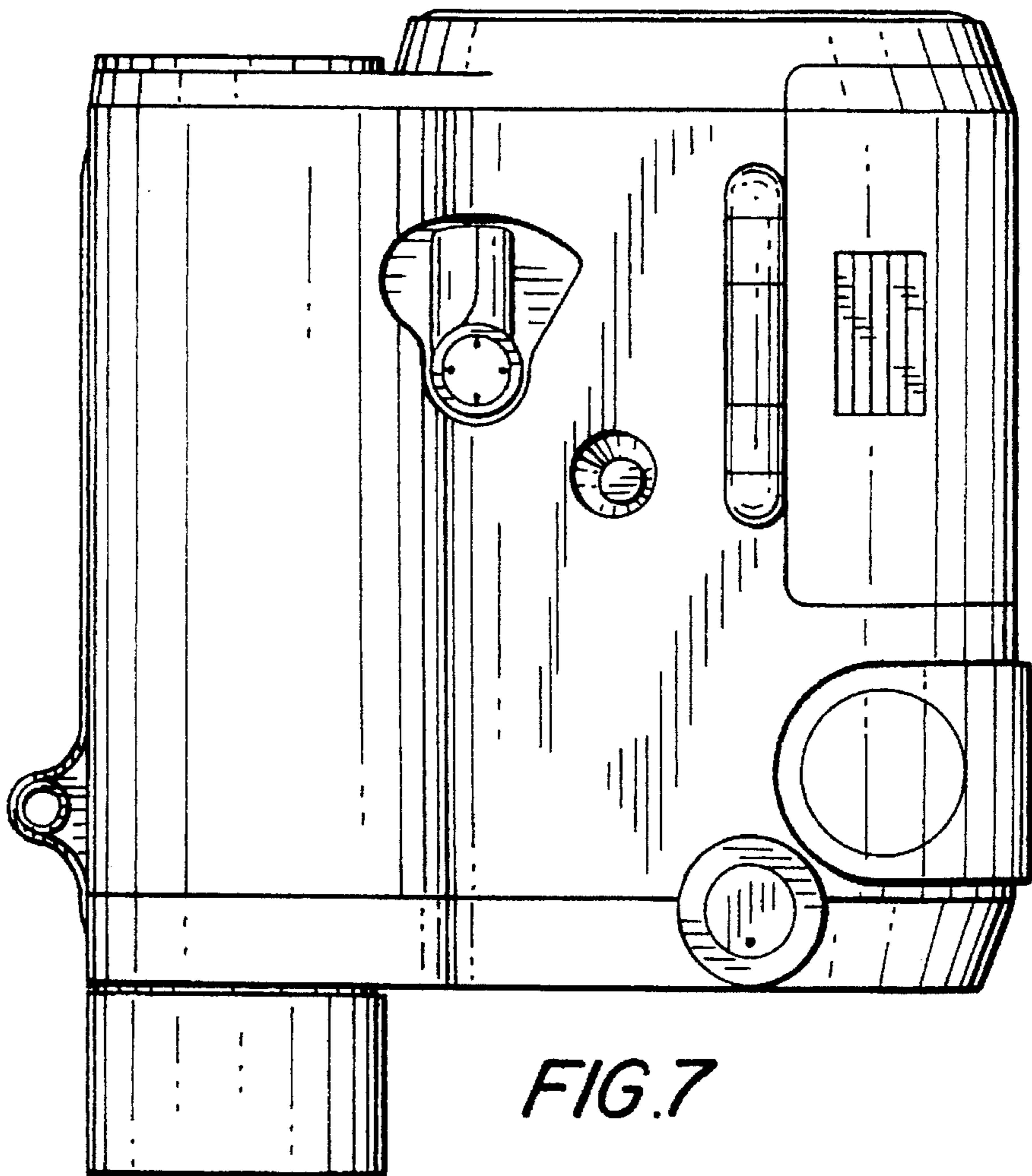


FIG. 7