



US00D371783S

United States Patent [19]

[11] Patent Number: **Des. 371,783**

Ito et al.

[45] Date of Patent: ****Jul. 16, 1996**

[54] **DIGITAL AUDIO DISC PLAYER**

[75] Inventors: **Masafumi Ito; Shigeru Hasegawa; Katsuhiko Takashima; Yasunobu Shimizu; Yukio Iikura**, all of Musashino, Japan

[73] Assignee: **TEAC Corporation**, Tokyo, Japan

[**] Term: **14 Years**

[21] Appl. No.: **33,388**

[22] Filed: **Jan. 11, 1995**

[30] **Foreign Application Priority Data**

Jul. 12, 1994 [JP] Japan 6-20792

[52] U.S. Cl. **D14/156**

[58] Field of Search D14/136, 156, D14/157, 160, 257, 258, 260; 369/75.1, 75.2, 77.1, 77.2

[56] **References Cited**

U.S. PATENT DOCUMENTS

D. 289,947 5/1987 Katov et al. D14/156

D. 304,942	12/1989	Kataoka	D14/156
D. 318,664	7/1991	Ito et al.	D14/156
D. 321,191	10/1991	Ito et al.	D14/156
D. 339,135	9/1993	Ito et al.	D14/156
4,845,700	7/1989	Koizumi et al.	369/75.2

OTHER PUBLICATIONS

Catalog of TEAC TASCAM CD-301, date unknown.

Primary Examiner—Sandra L. Morris
Attorney, Agent, or Firm—Michael N. Meller

[57] **CLAIM**

The ornamental design for a digital audio disc player, as shown and described.

DESCRIPTION

FIG. 1 is a front perspective view of digital audio disc player showing our new design; and,

FIG. 2 is a rear, bottom perspective view thereof.

1 Claim, 2 Drawing Sheets

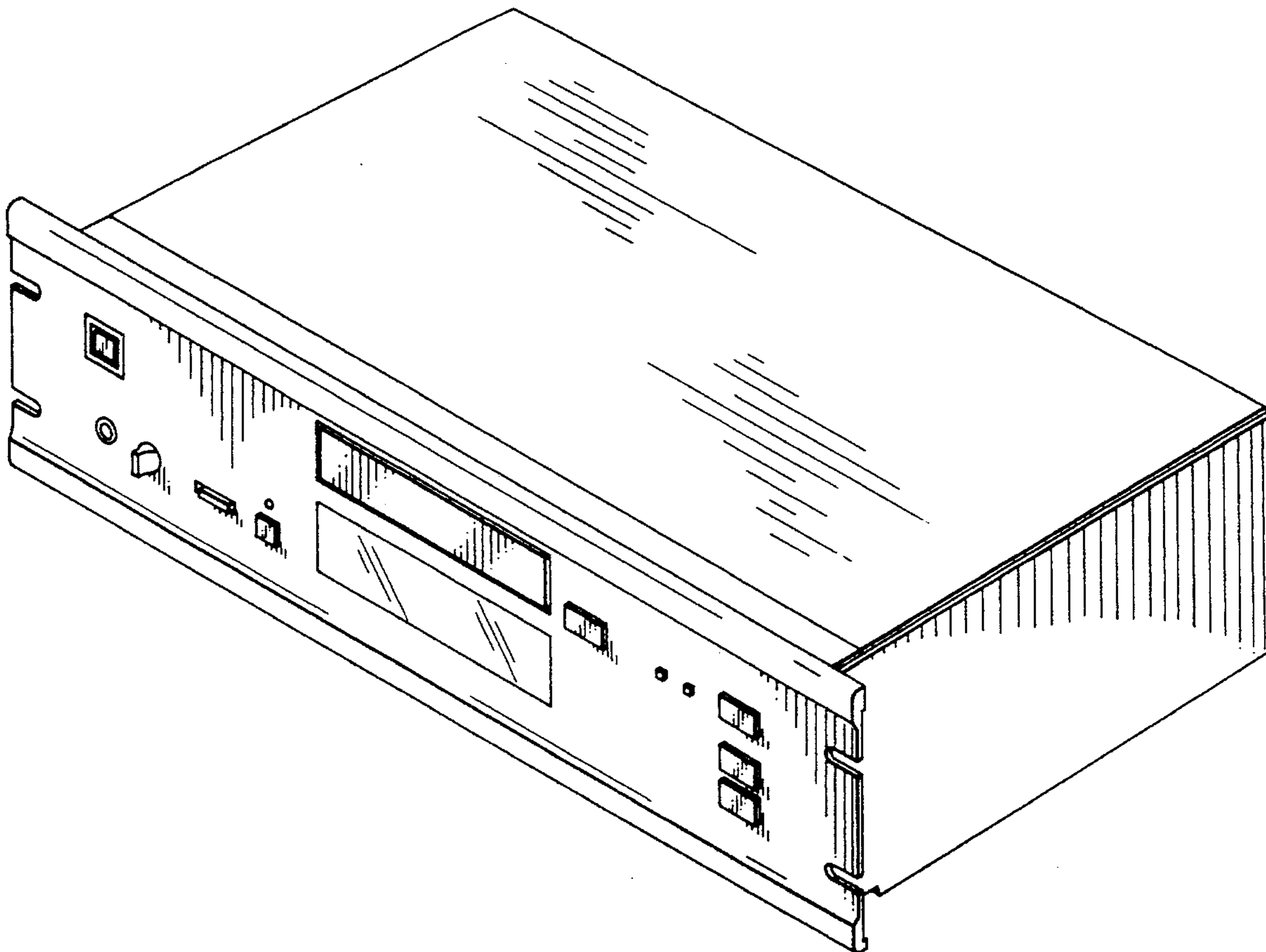


FIG. 1

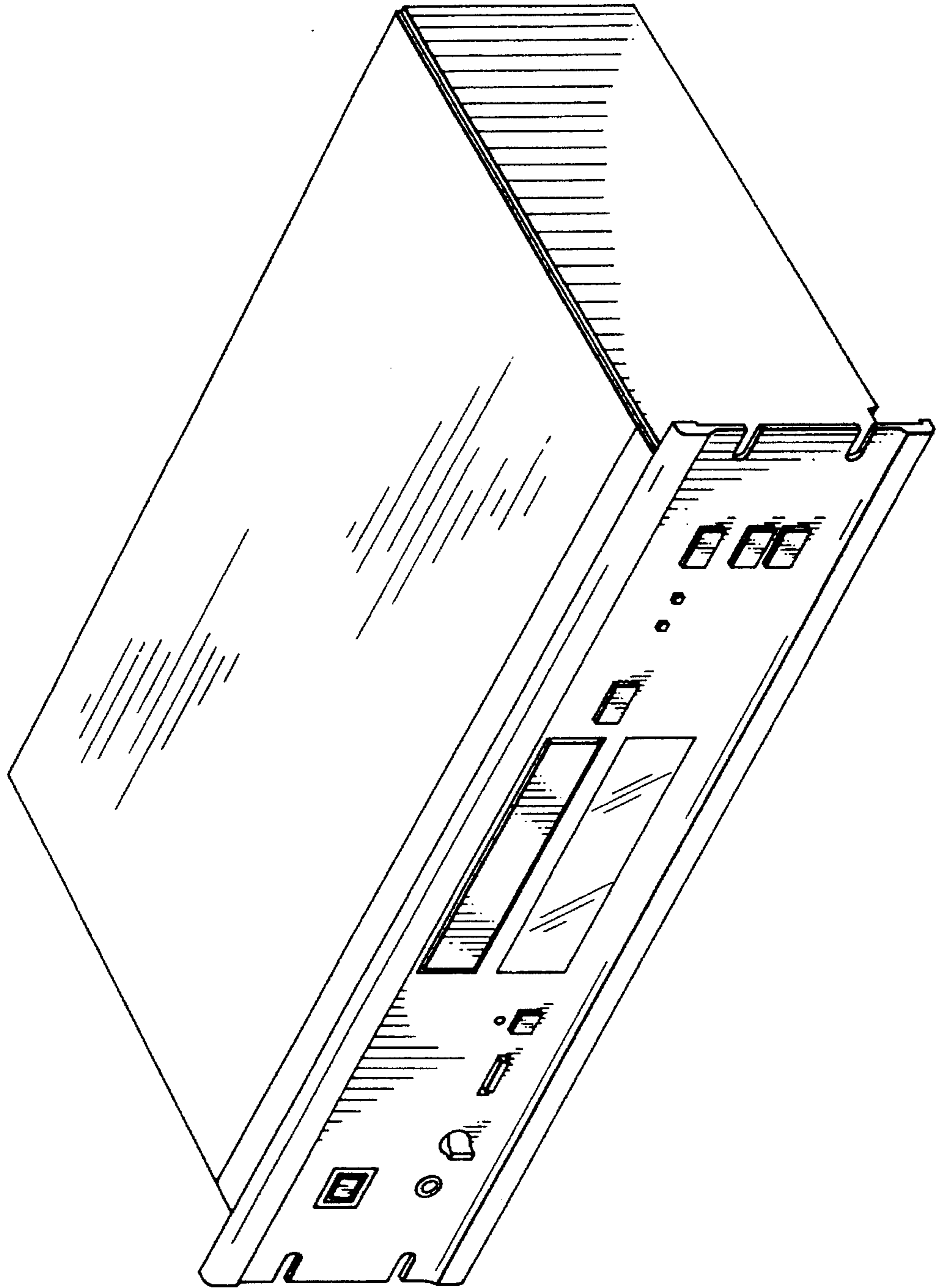


FIG. 2

