



US00D371778S

**United States Patent** [19]  
**Isono**

[11] **Patent Number: Des. 371,778**  
[45] **Date of Patent: \*\*Jul. 16, 1996**

[54] **PROJECTION MONITOR**

[75] Inventor: **Kazuki Isono**, Tokyo, Japan

[73] Assignee: **Sony Corporation**, Tokyo, Japan

[\*\*] Term: **14 Years**

[21] Appl. No.: **37,505**

[22] Filed: **Apr. 14, 1995**

[52] U.S. Cl. .... **D14/128**

[58] Field of Search ..... D14/113, 124-134;  
348/825, 836, 838, 790-794

[56] **References Cited**

**U.S. PATENT DOCUMENTS**

- D. 342,502 12/1993 Fukatsu et al. .... D14/126
- D. 351,155 10/1994 Usami et al. .... D14/126

*Primary Examiner*—Terry A. Wallace

*Assistant Examiner*—Richelle Shelton  
*Attorney, Agent, or Firm*—Beveridge, DeGrandi, Weilacher & Young

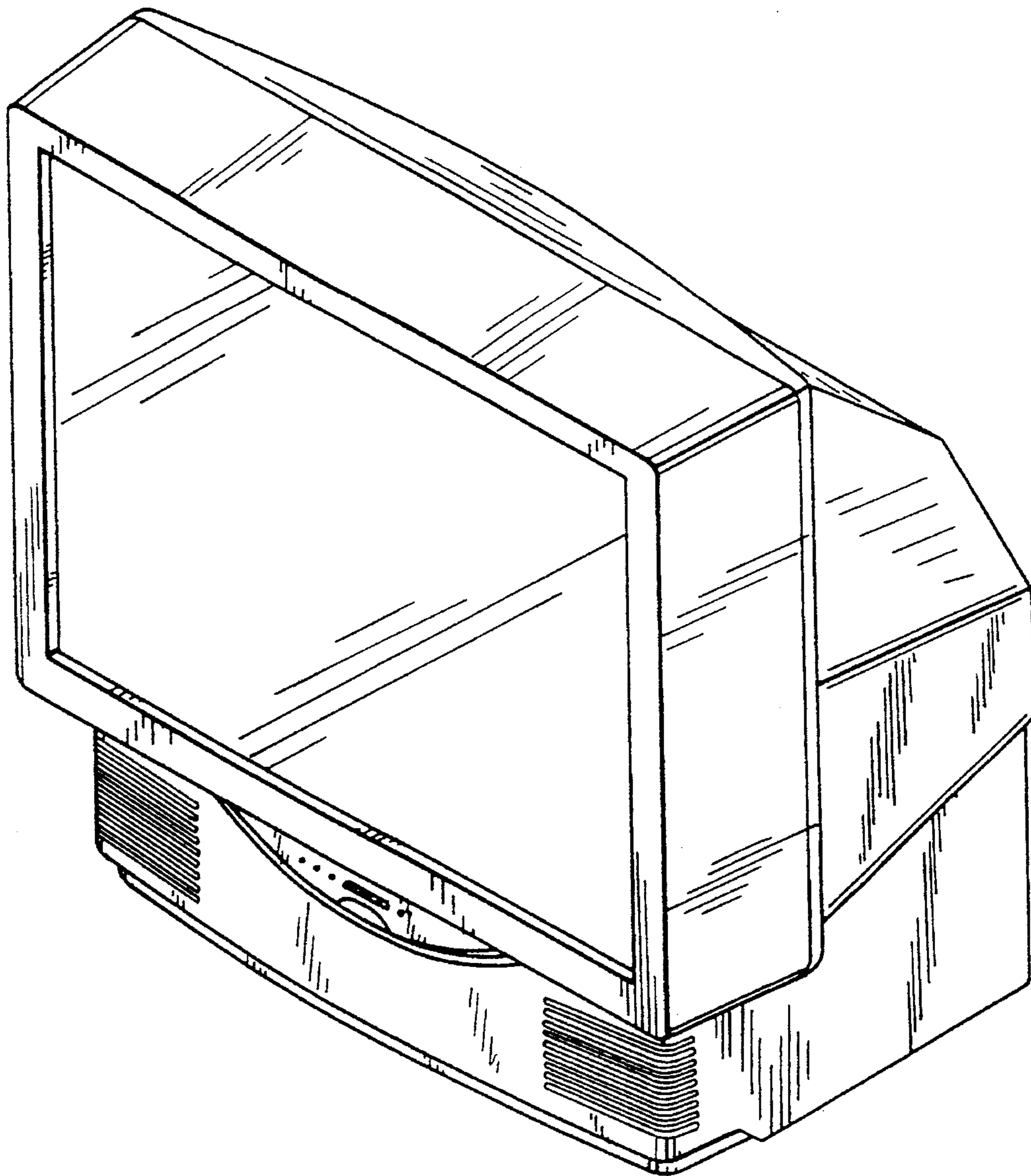
[57] **CLAIM**

The ornamental design for a projection monitor, as shown and described.

**DESCRIPTION**

FIG. 1 is a perspective view of a projection monitor showing my new design;  
FIG. 2 is a top plan view thereof;  
FIG. 3 is a left side elevational view thereof;  
FIG. 4 is a front elevational view thereof;  
FIG. 5 is a right side elevational view thereof;  
FIG. 6 is a bottom plan view thereof; and,  
FIG. 7 is a rear elevational view thereof.

**1 Claim, 4 Drawing Sheets**



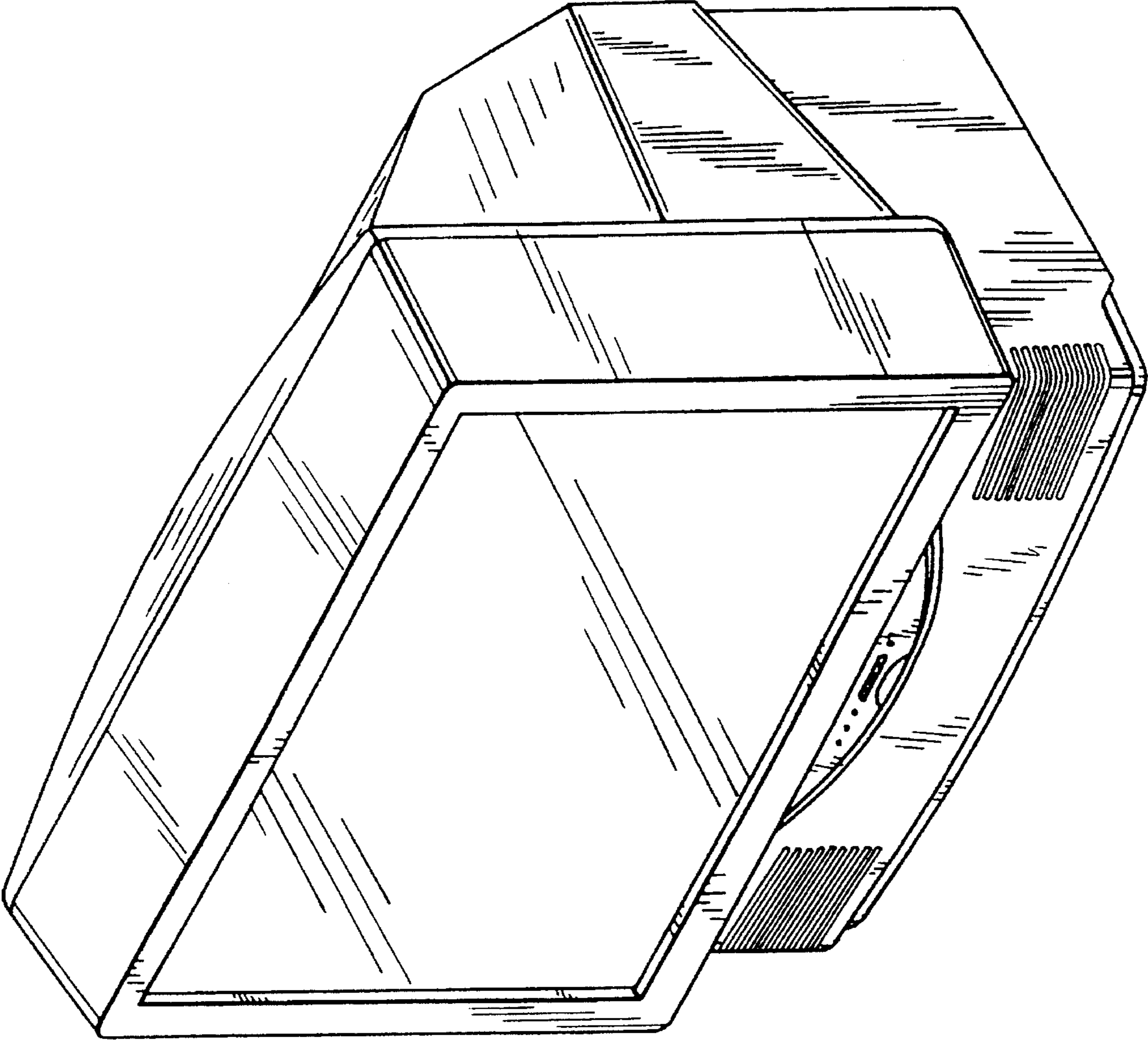


FIG. 1

FIG. 2

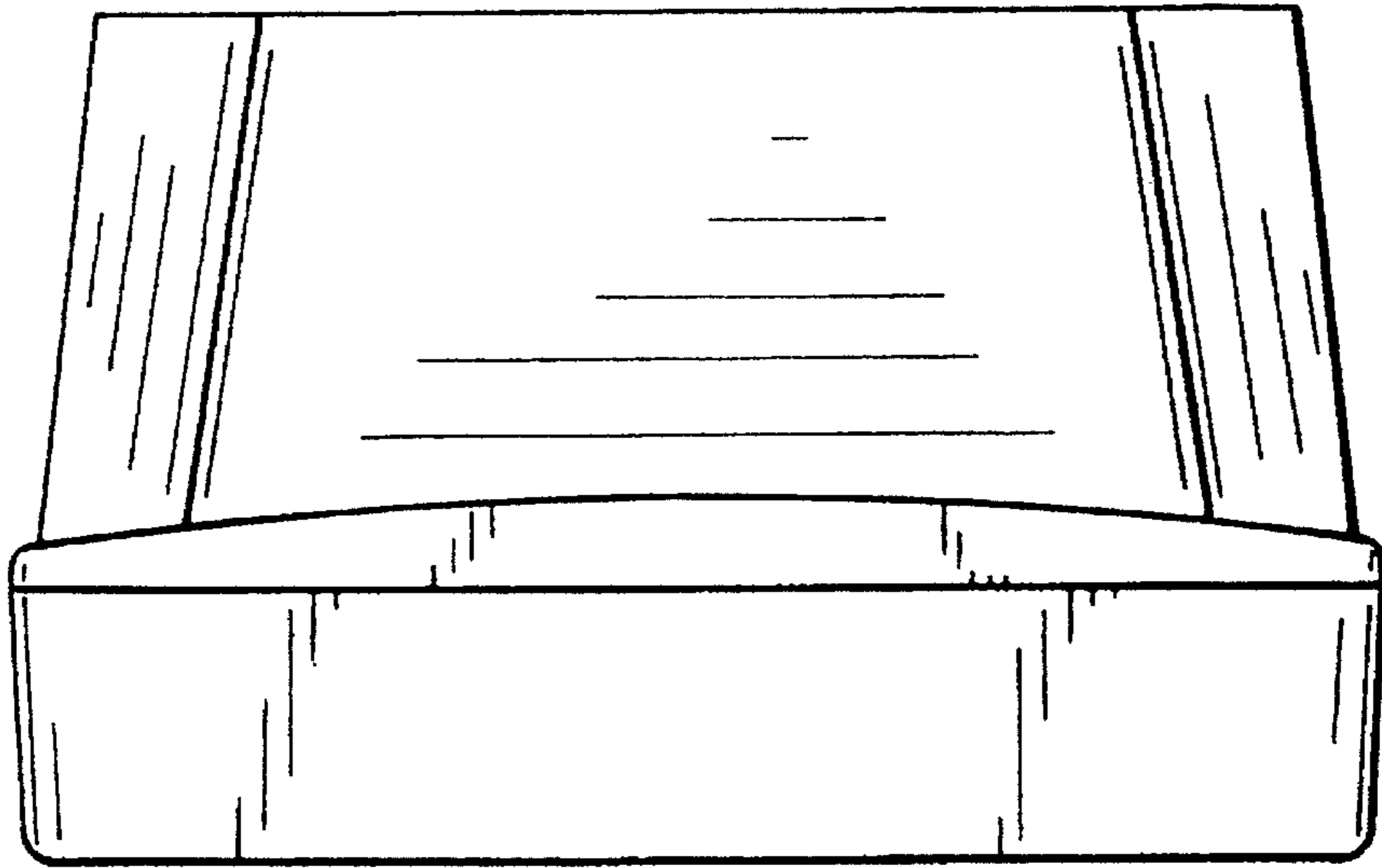


FIG. 3

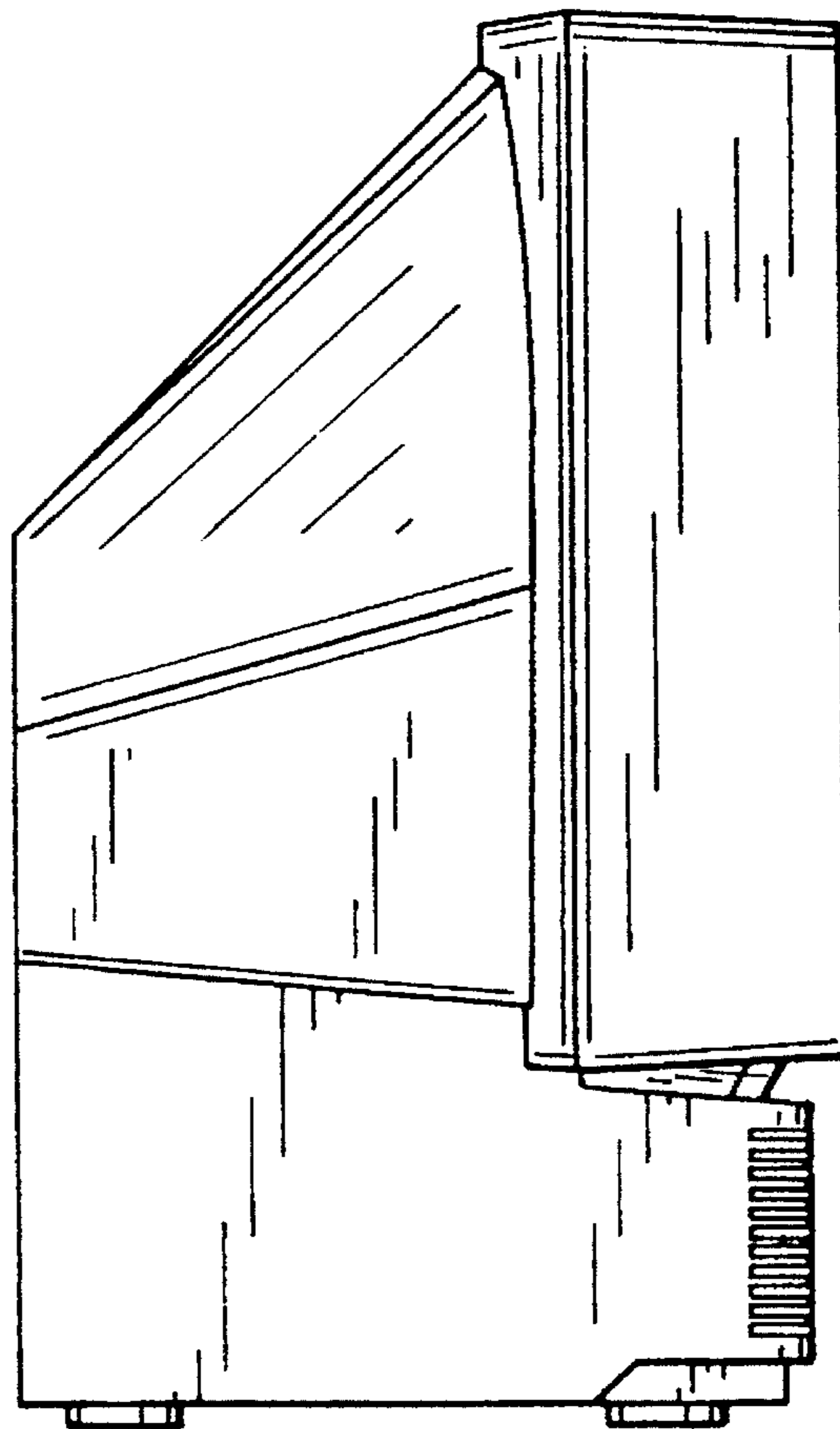


FIG. 4

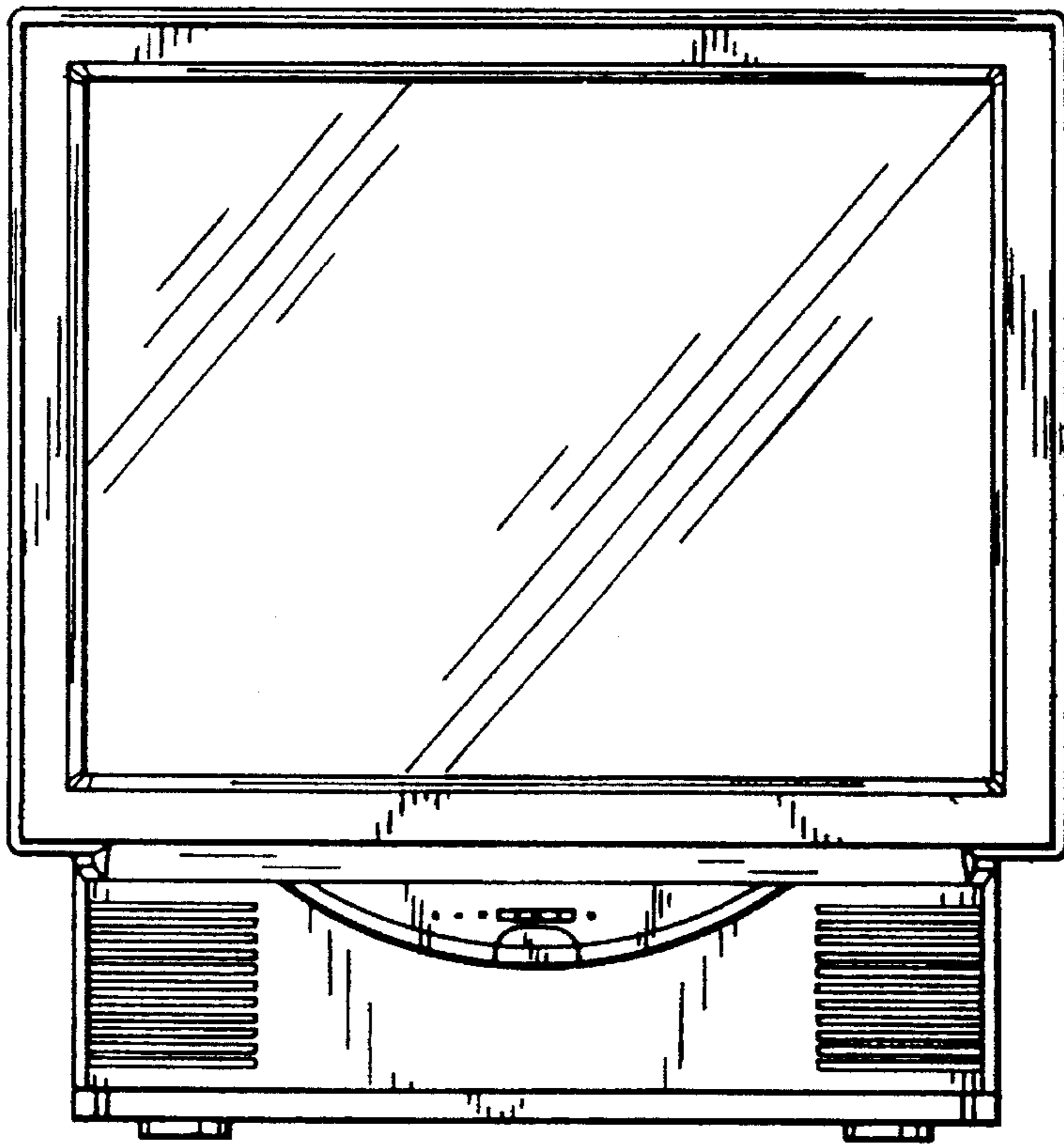


FIG. 5

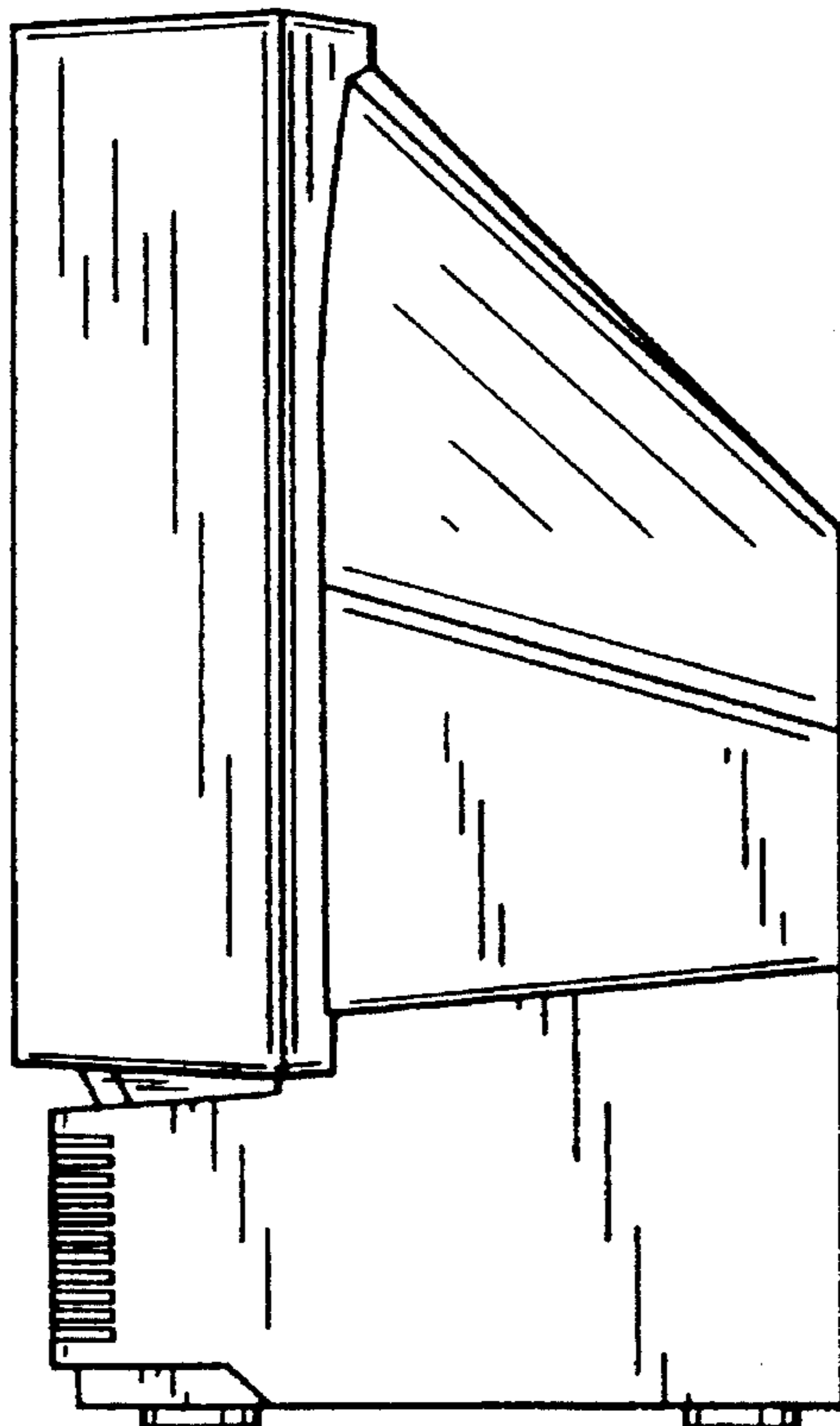




FIG. 6

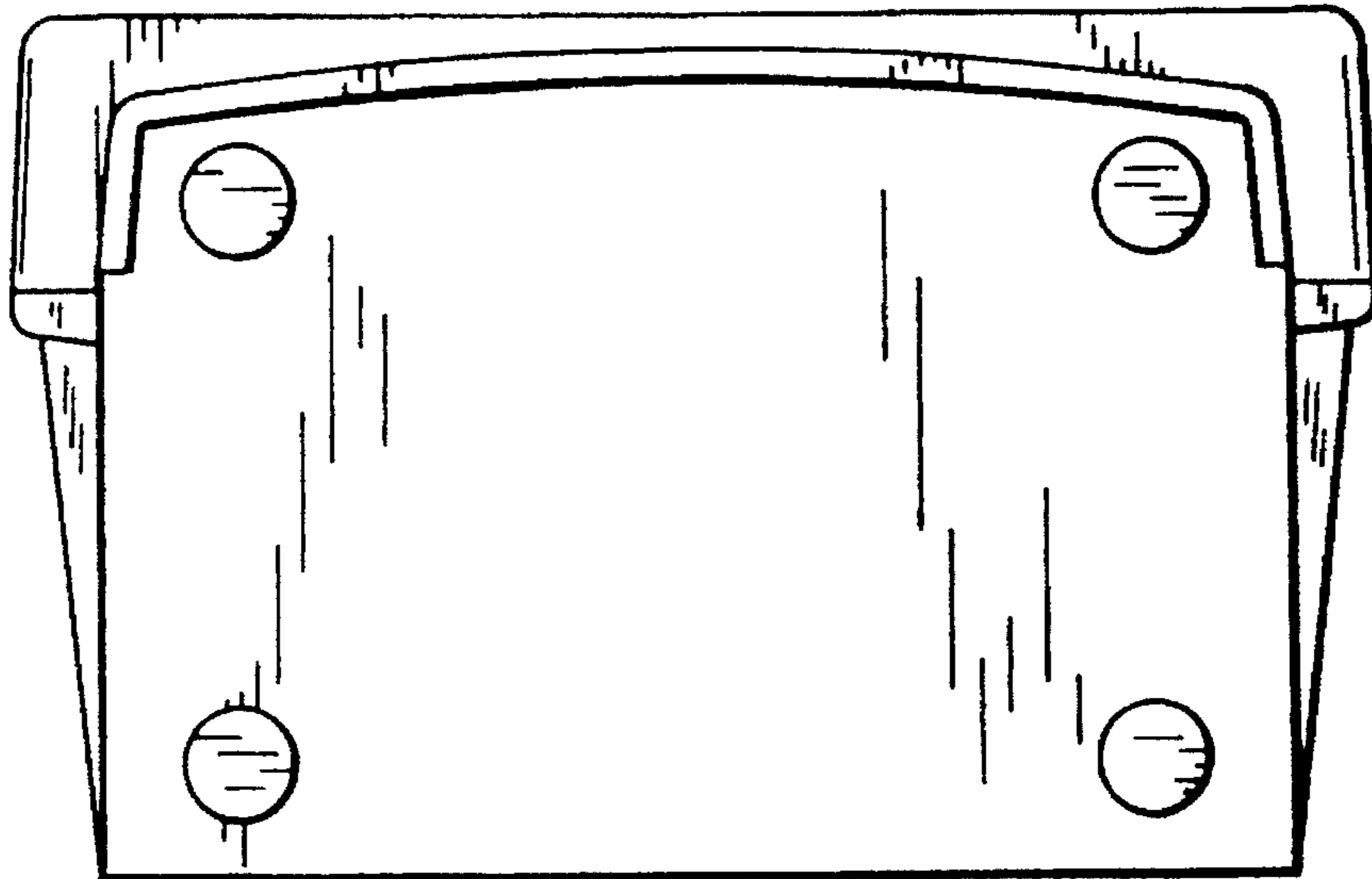


FIG. 7

