



US00D371773S

United States Patent [19]

[11] Patent Number: **Des. 371,773**

Sanchez et al.

[45] Date of Patent: ****Jul. 16, 1996**

- [54] **HANDLE FOR A COMPUTER INPUT DEVICE**
- [75] Inventors: **Russell Sanchez; Christopher Alviar**, both of Seattle, Wash.
- [73] Assignee: **Microsoft Corporation**, Redmond, Wash.
- [**] Term: **14 Years**
- [21] Appl. No.: **42,463**
- [22] Filed: **Aug. 10, 1995**
- [52] U.S. Cl. **D14/114**
- [58] **Field of Search** D14/100, 114; D13/158; D21/48; D12/179; 178/18-9; 200/5 R, 5 A, 6 R, 6 A; 213/148 B; 273/148 B, 438; D34/35; 345/156-67; 74/471 XY

- D. 353,410 12/1994 Chan D21/48
- D. 354,092 1/1995 Ho D21/48
- D. 360,884 8/1995 Onuma et al. D14/114
- D. 362,244 9/1995 Takemasa D14/114
- 5,389,950 2/1995 Bouton 345/156

OTHER PUBLICATIONS

Triax Controller, Triax Technologies, Product Announcement, Jan. 1994.
 Phoenix Flight Control System, Advanced Gravis Computer Technology Ltd., Product Brochure, Aug. 1994.
 Super Warrior Joystick, Quick Shot Patent Ltd., Product Brochure, Jun. 1994.
 WingMan Extreme Joystick, Logitech International, Product Announcement, Aug. 1994.
 "They're Not Just For Mice Anymore," *PC Gamer*, Oct. 1994.

Primary Examiner—M. H. Tung
Attorney, Agent, or Firm—Seed and Berry

[56] References Cited

U.S. PATENT DOCUMENTS

- D. 279,202 6/1985 Kim D21/48
- D. 287,255 12/1986 Watson, Jr. D21/48
- D. 297,952 10/1988 Ishiwata D21/148
- D. 303,815 10/1989 Kim D21/48
- D. 305,756 1/1990 Parker et al. D14/114
- D. 306,615 3/1990 Hayes D21/48
- D. 317,331 6/1991 Holloway D21/48
- D. 317,949 7/1991 Tse D21/48
- D. 319,612 9/1991 Ropp et al. D12/179
- D. 330,020 10/1992 Jung D14/114
- D. 330,371 10/1992 Tse D14/114
- D. 331,044 11/1992 Tse D14/114
- D. 340,479 10/1993 Ho D21/48
- D. 342,763 12/1993 Tse D14/114 X
- D. 347,028 5/1994 Galden D21/48
- D. 350,373 9/1994 Chow et al. D21/48
- D. 352,331 11/1994 Wu D21/48
- D. 352,739 11/1994 Ho D21/48

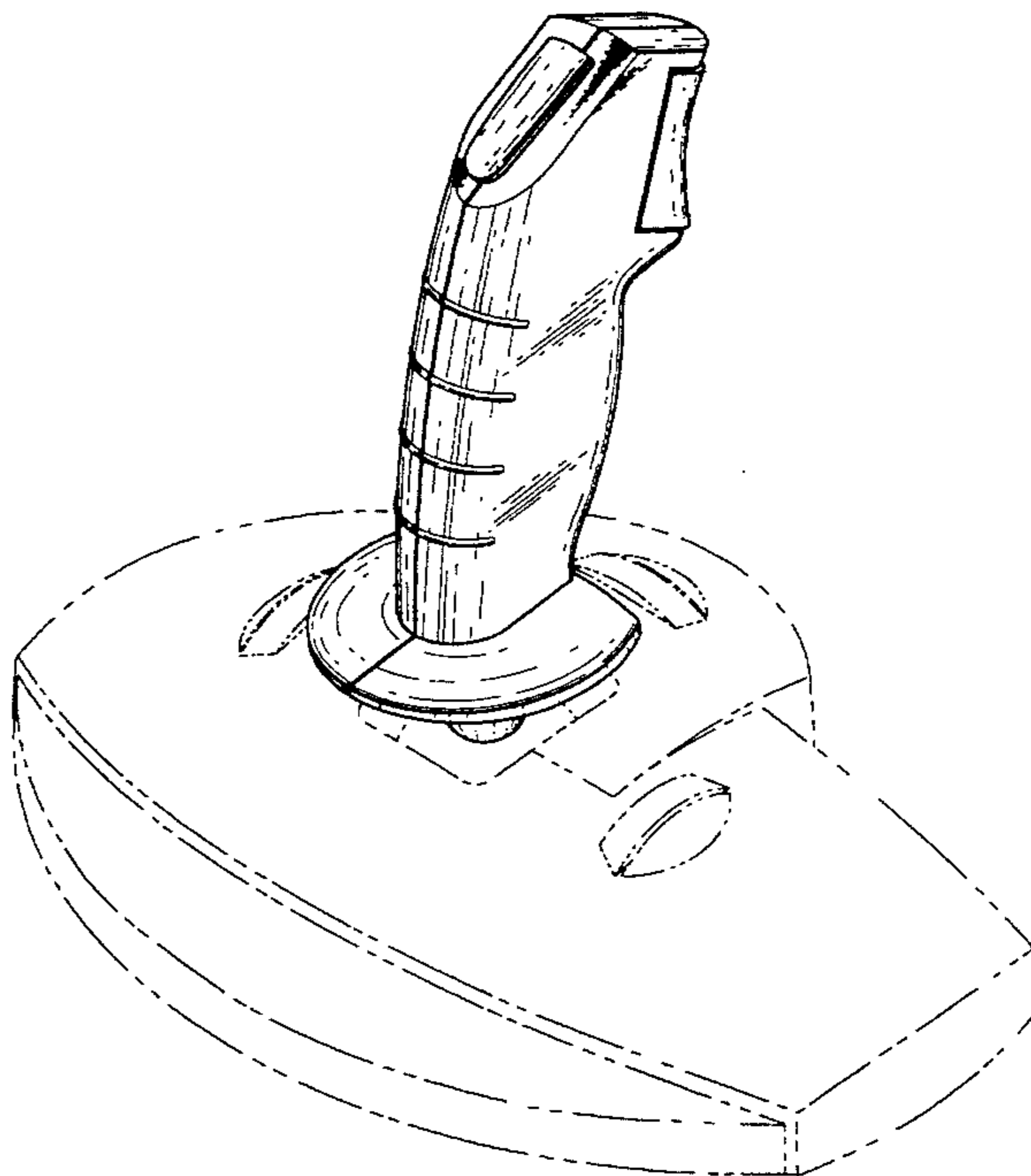
[57] CLAIM

The ornamental design for a handle for a computer input device, as shown and described.

DESCRIPTION

FIG. 1 is a rear isometric view of a handle for a computer input device showing our new design;
 FIG. 2 is a top plan view thereof;
 FIG. 3 is a left side elevational view thereof;
 FIG. 4 is a rear elevational view thereof;
 FIG. 5 is a front isometric view thereof;
 FIG. 6 is a bottom plan view thereof;
 FIG. 7 is a right side elevational view thereof; and,
 FIG. 8 is a front elevational view thereof.
 The broken lines are for illustrative purposes only and form no part of the claimed design.

1 Claim, 4 Drawing Sheets



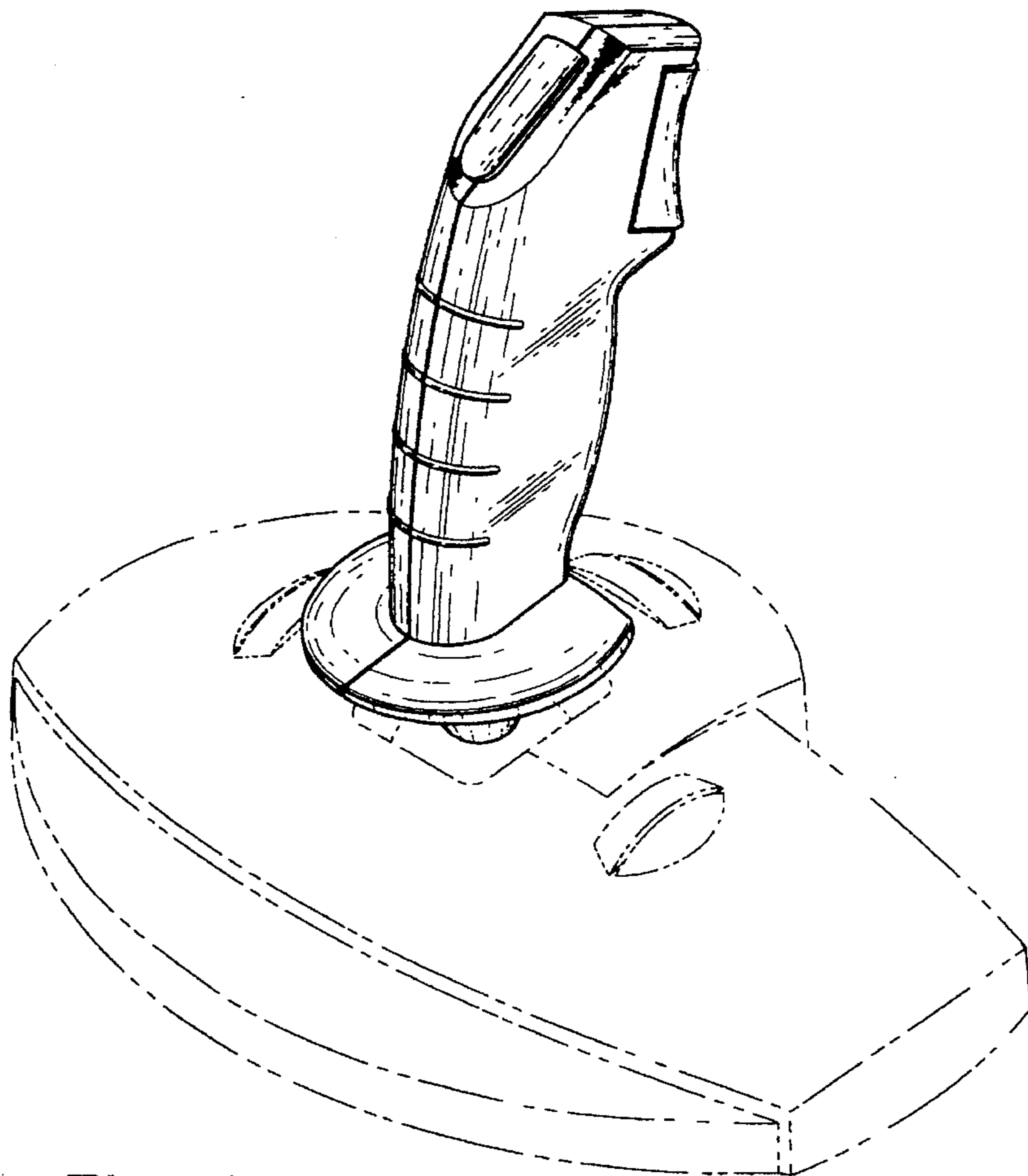


Fig. 1

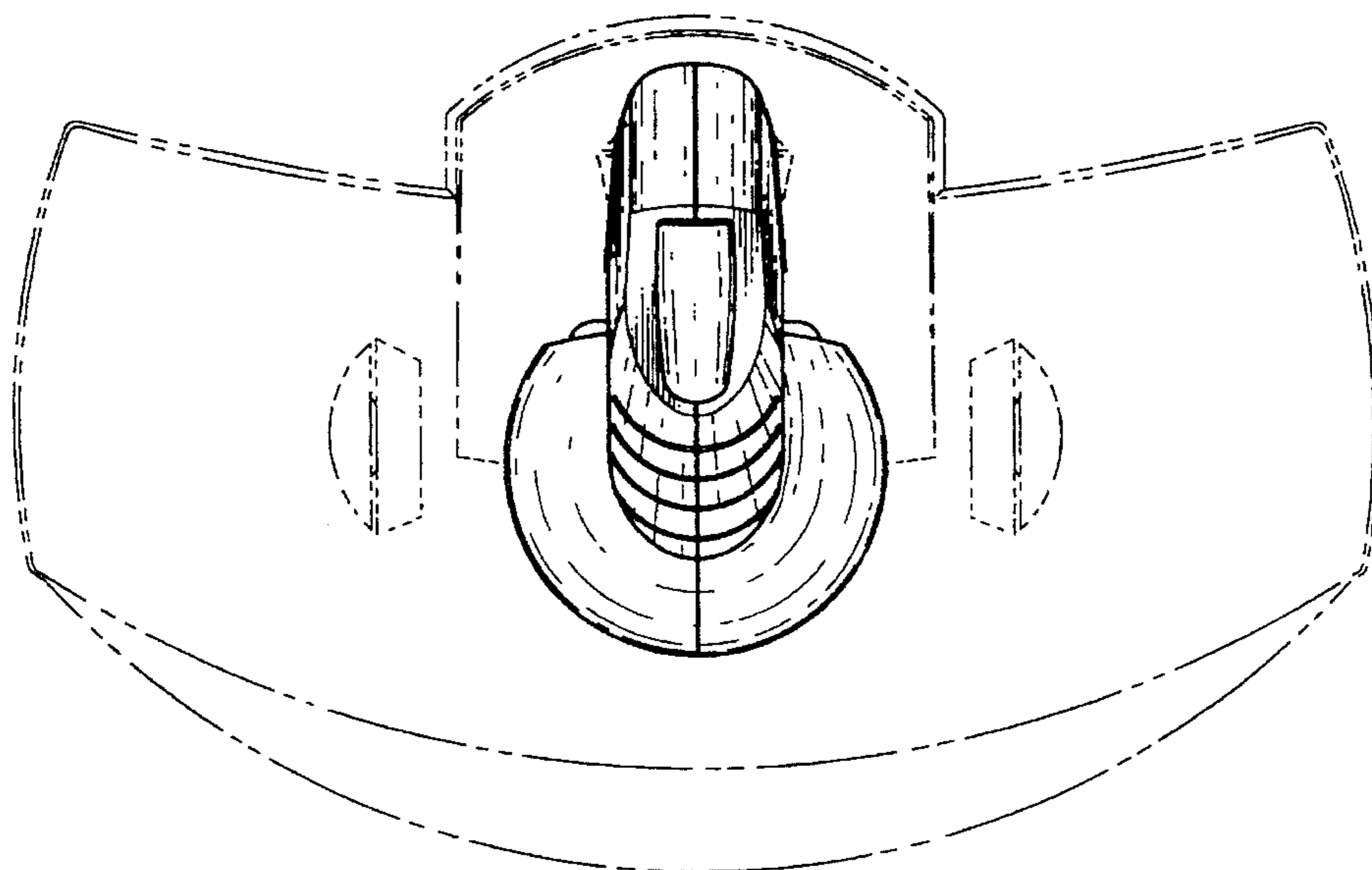


Fig. 2

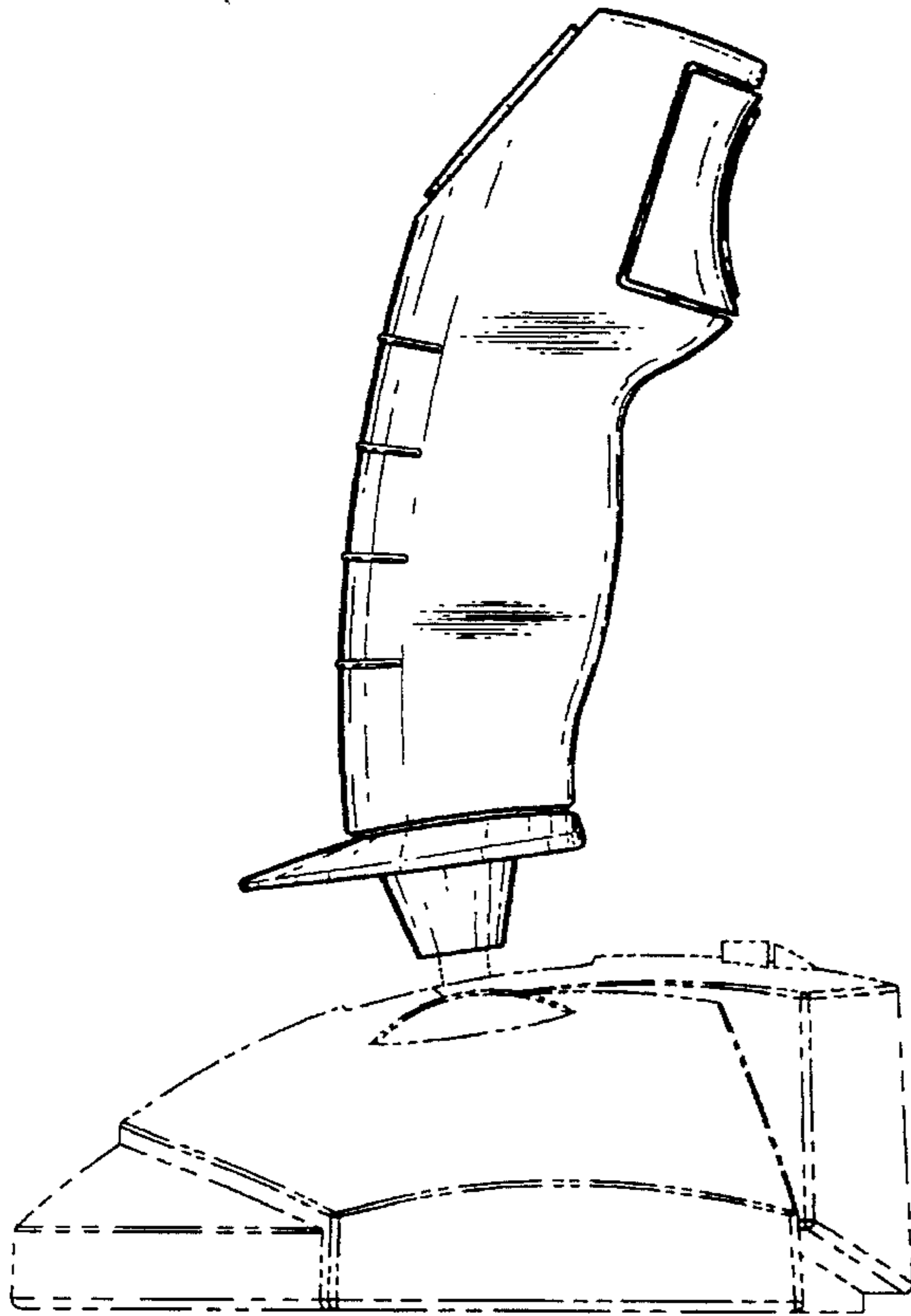


Fig. 3

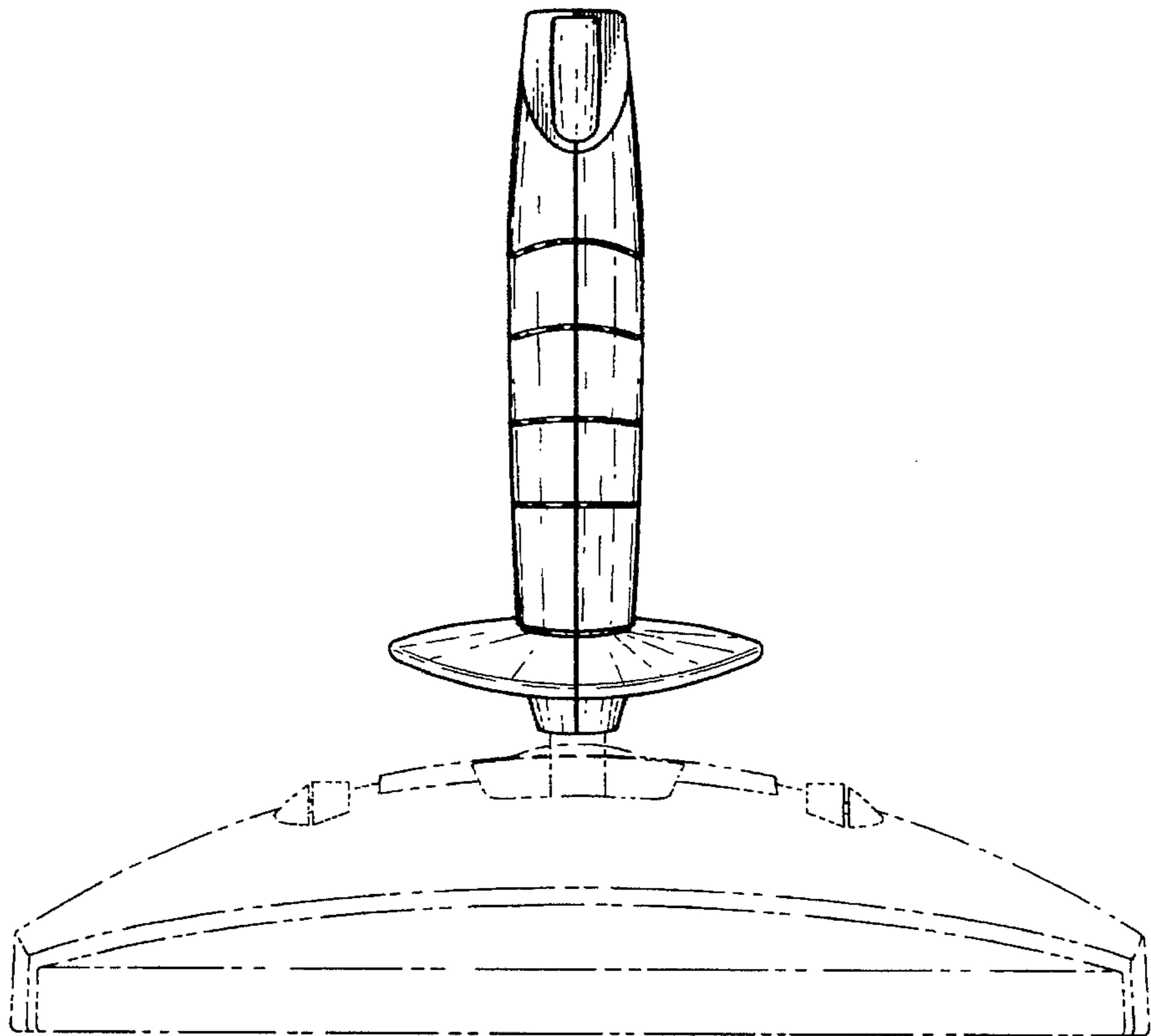


Fig. 4

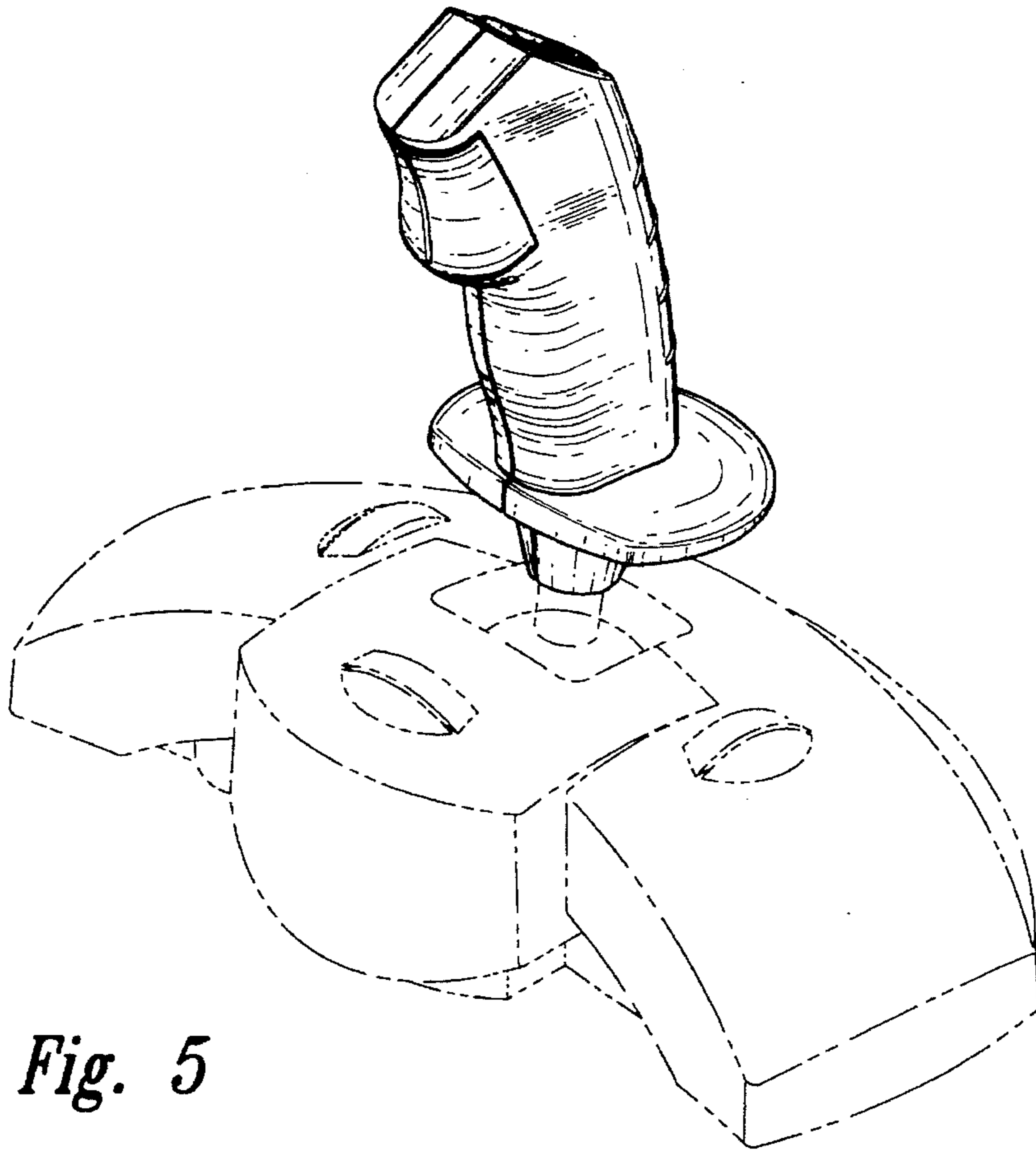


Fig. 5

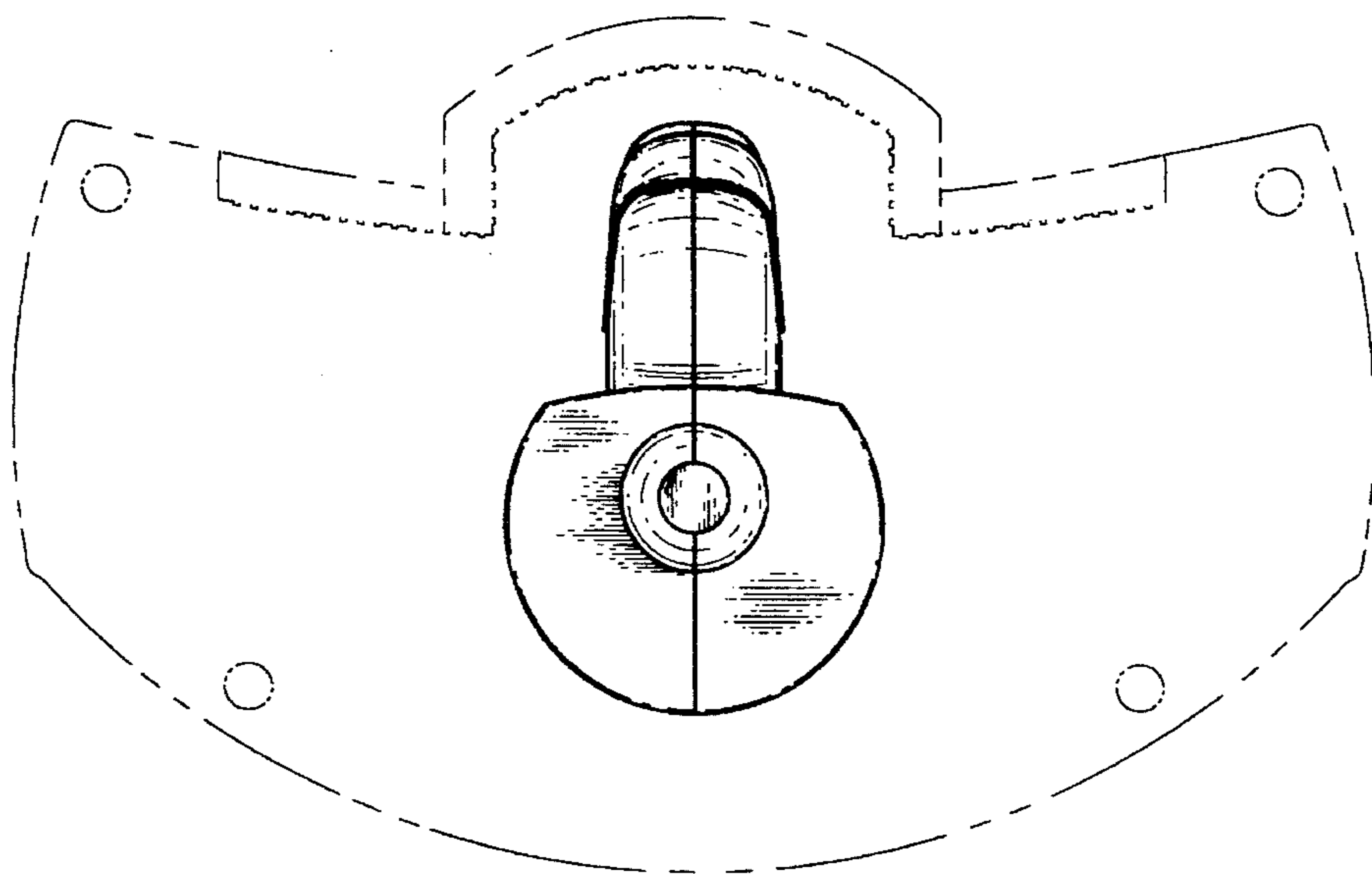


Fig. 6

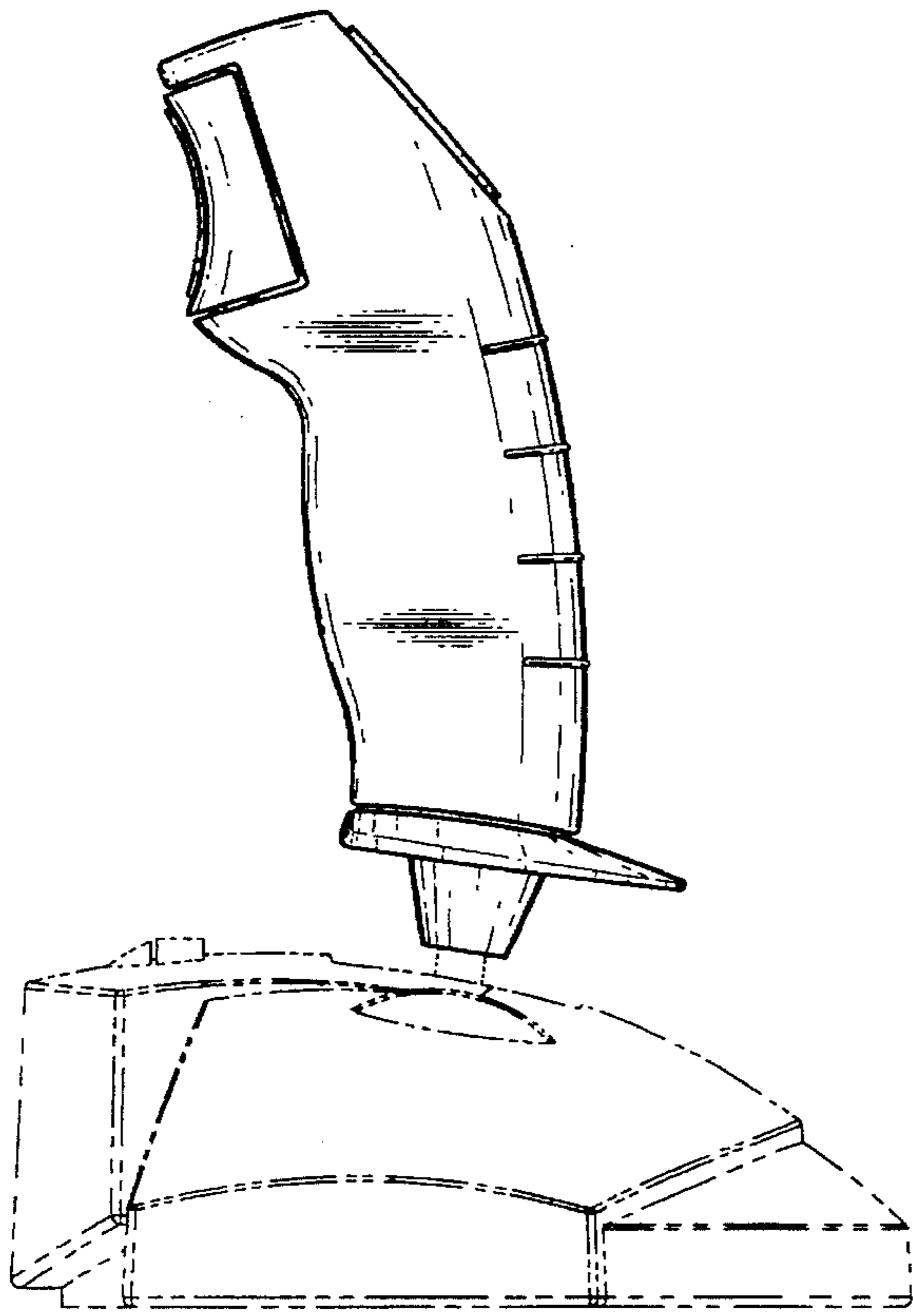


Fig. 7

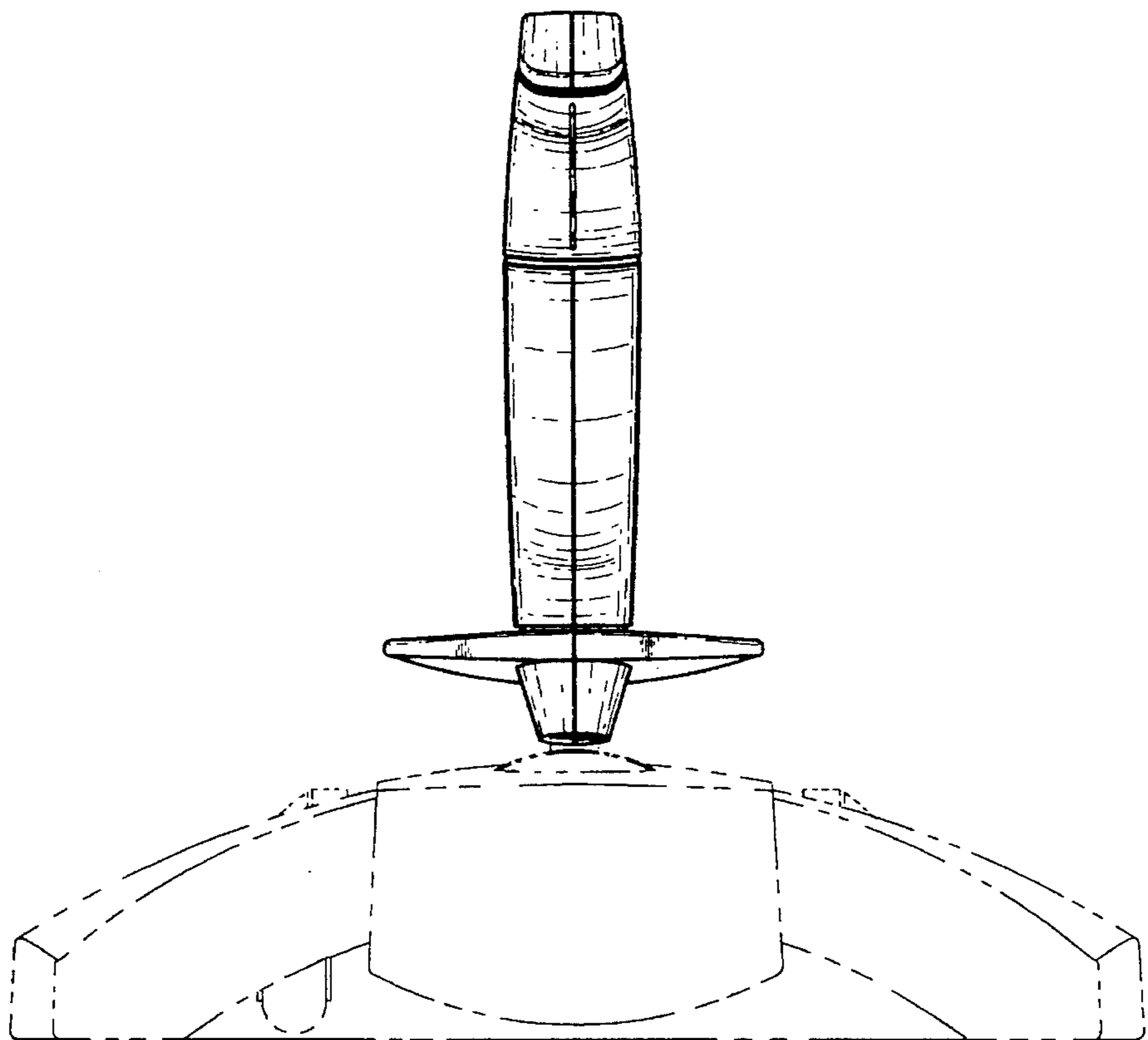


Fig. 8