



US00D371768S

United States Patent [19]

[11] Patent Number: **Des. 371,768**

Kammersgard et al.

[45] Date of Patent: ****Jul. 16, 1996**

[54] HIGH PERFORMANCE MASS STORAGE SUBSYSTEM

[75] Inventors: **Dana W. Kammersgard**, Vista; **Angus R. Colson, Jr.**, Jamul; **Steven B. Cook**, Vista, all of Calif.

[73] Assignee: **Artecon**, Carlsbad, Calif.

[**] Term: **14 Years**

[21] Appl. No.: **28,435**

[22] Filed: **Sep. 15, 1994**

[52] U.S. Cl. **D14/107**

[58] Field of Search D14/100, 102, D14/107-109; D13/162, 184, 199; 360/97.01, 97.04, 98.01, 99.12, 99.01; 361/600, 622, 724-728, 694

[56] References Cited

U.S. PATENT DOCUMENTS

D. 310,825	9/1990	Crease et al.	D14/100
4,918,572	4/1990	Tarver et al.	D14/100 X
5,227,957	7/1993	Deters	D14/100 X

Primary Examiner—Freda Nunn
Attorney, Agent, or Firm—John J. Murphey; Murphey Law Offices

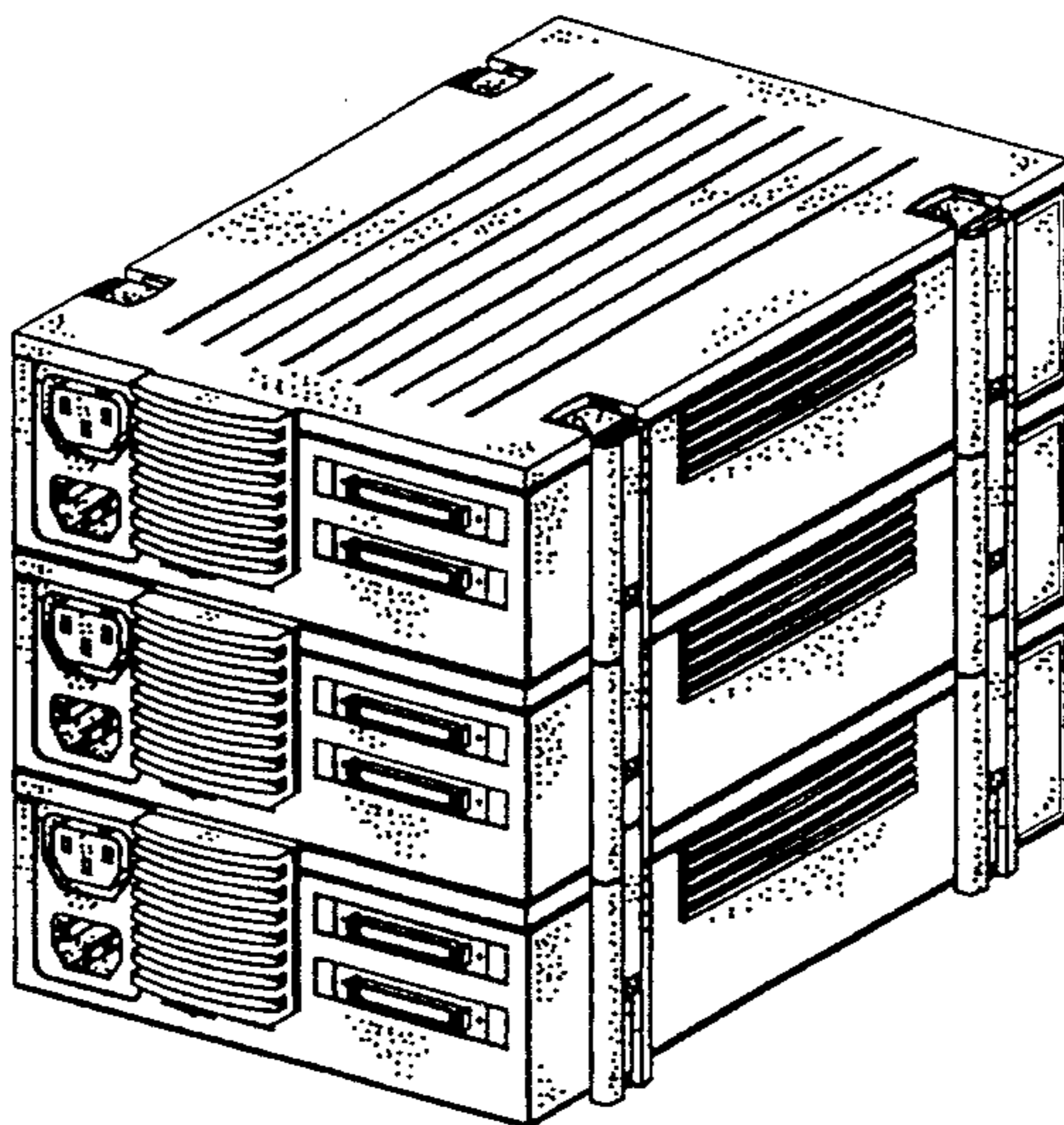
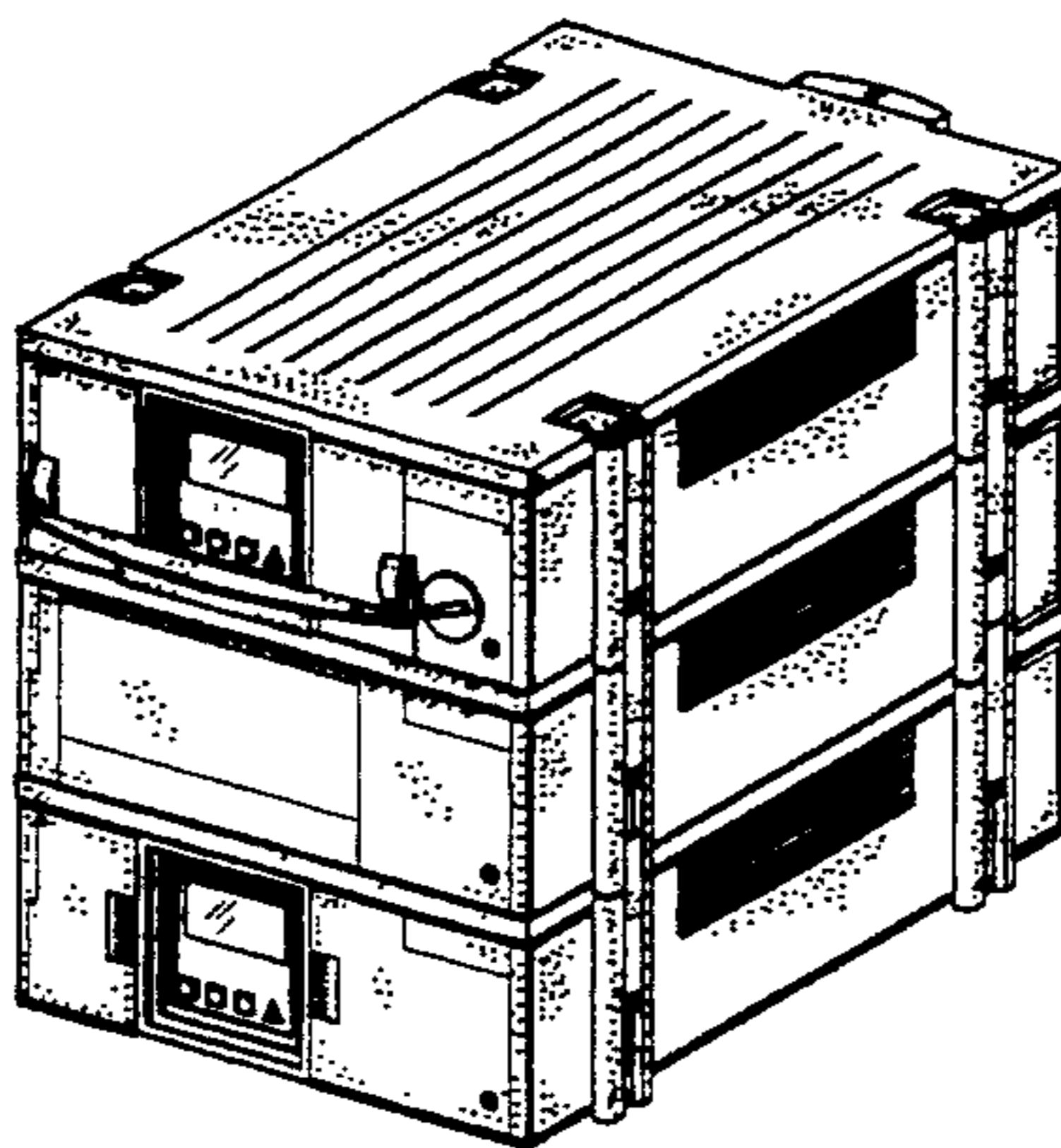
[57] CLAIM

The ornamental design for a high performance mass storage subsystem, as shown and described.

DESCRIPTION

FIG. 1 is a front view of the high performance mass storage subsystem showing our new design wherein the three detachable units are shown in a horizontal stacking position; FIG. 2 is a front view of the high performance mass storage subsystem showing our new design wherein the three detachable units are shown in a vertical stacking position; FIG. 3 is a right side view of the high performance mass storage subsystem showing our new design; FIG. 4 is a left side view of the high performance mass storage subsystem showing our new design; FIG. 5 is a bottom view of our new design; FIG. 6 is a top view of the high performance mass storage subsystem showing our new design; FIG. 7 is a rear view of our new design; FIG. 8 is a front perspective view of the high performance mass storage subsystem showing our new design wherein the three detachable units are shown in a horizontal stacking position; and, FIG. 9 is a rear perspective view of the high performance mass storage subsystem showing our new design wherein the three detachable units are shown in a horizontal stacking position.

1 Claim, 3 Drawing Sheets



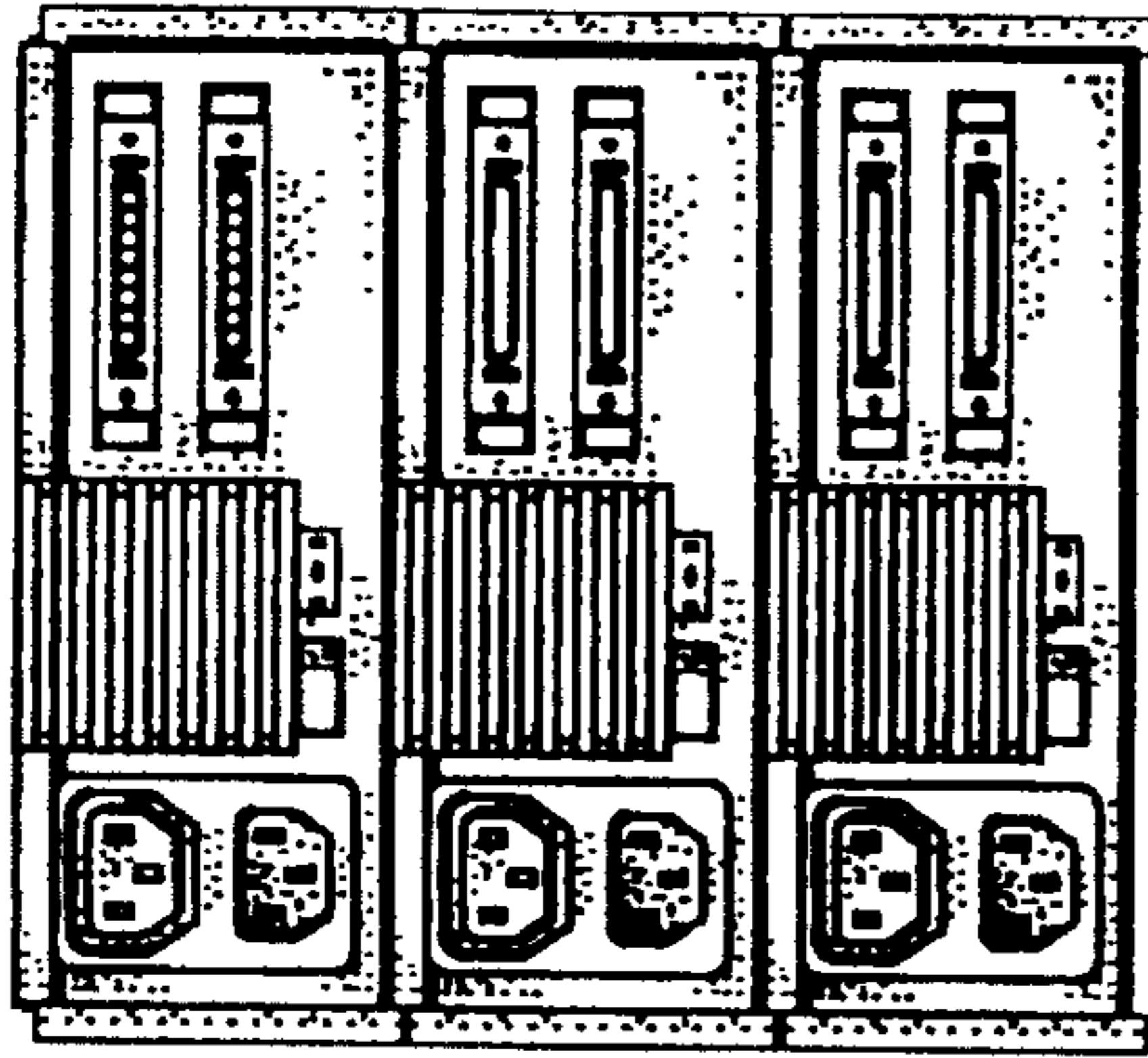


FIG. 7

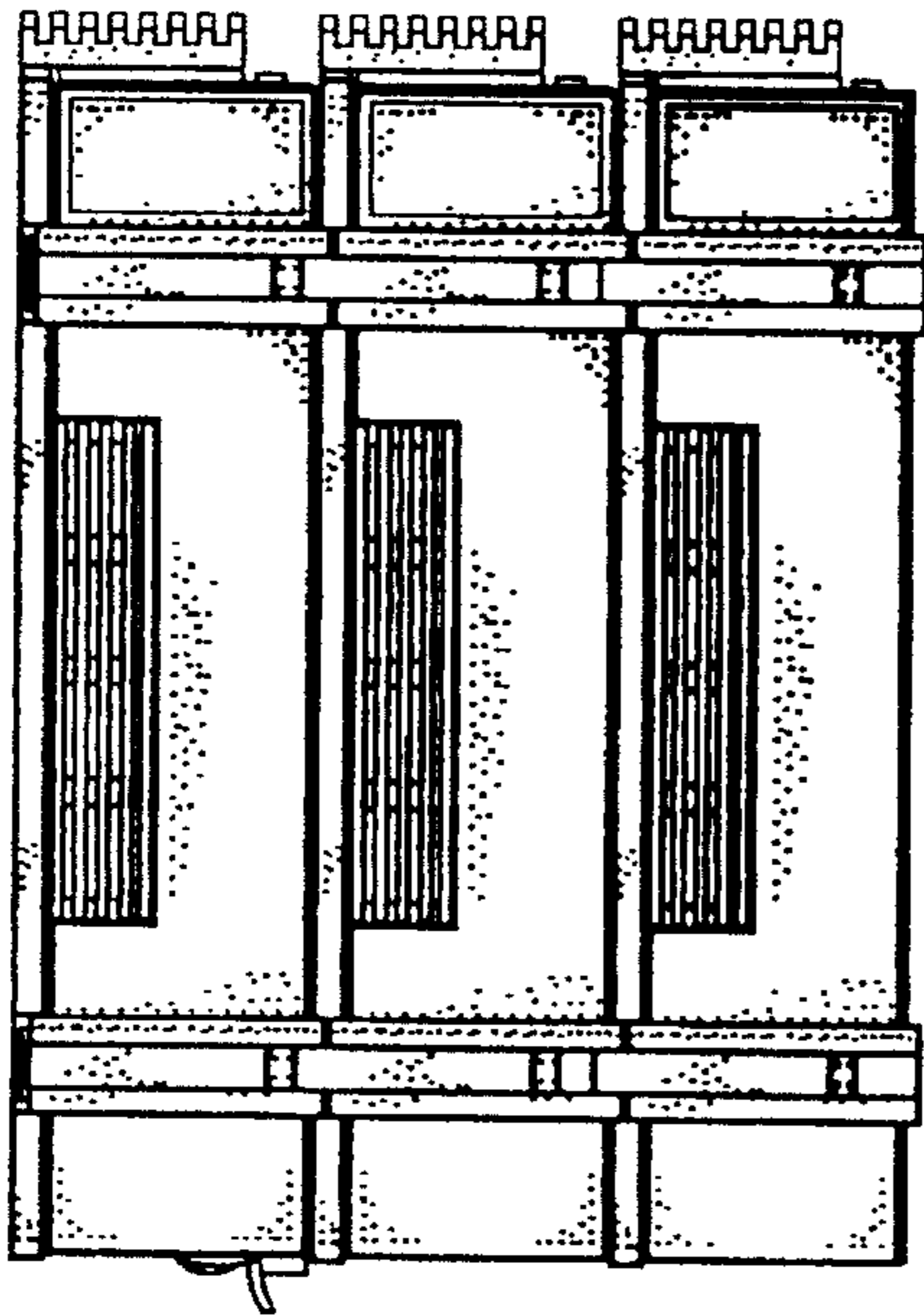


FIG. 3

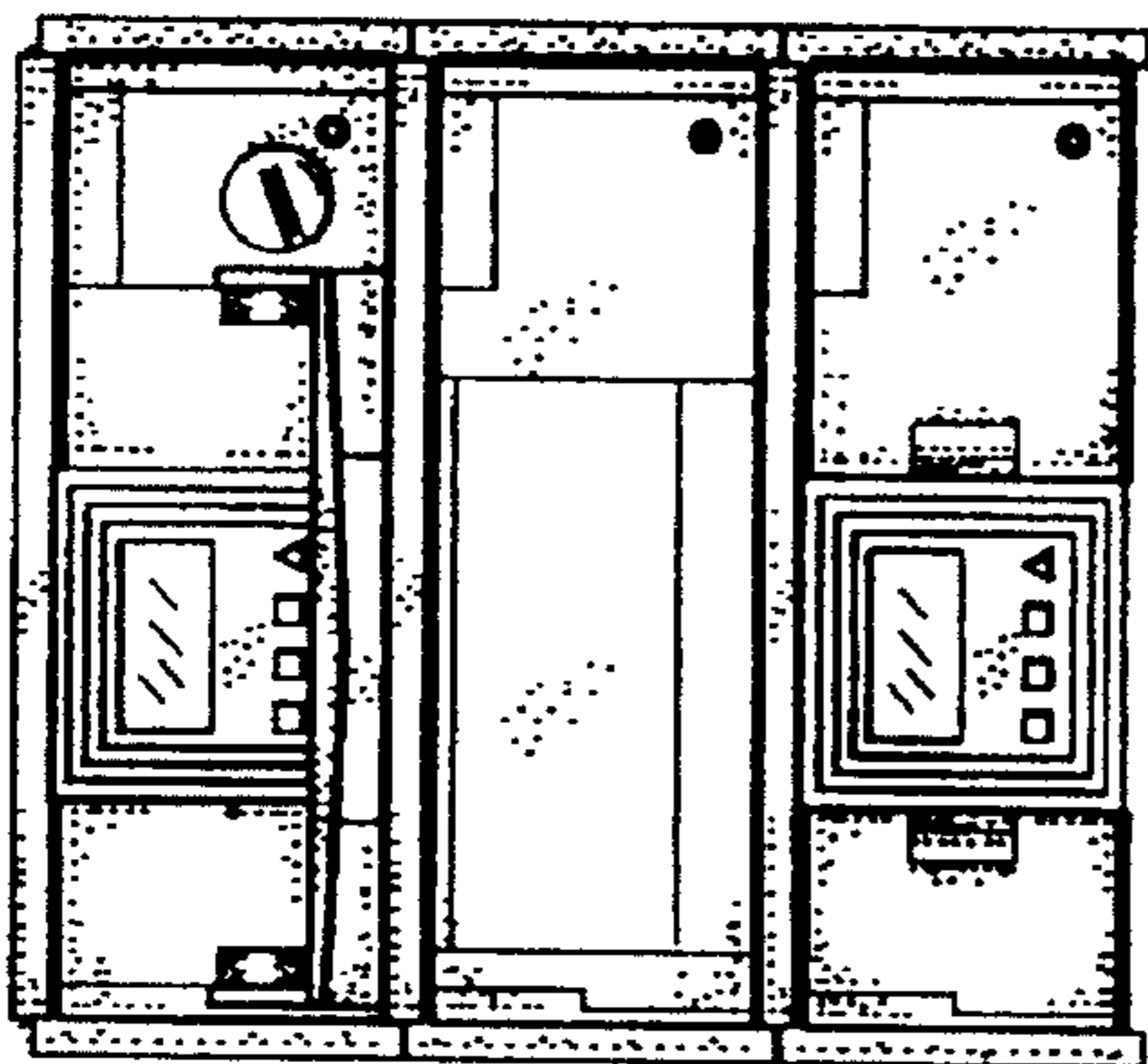


FIG. 1

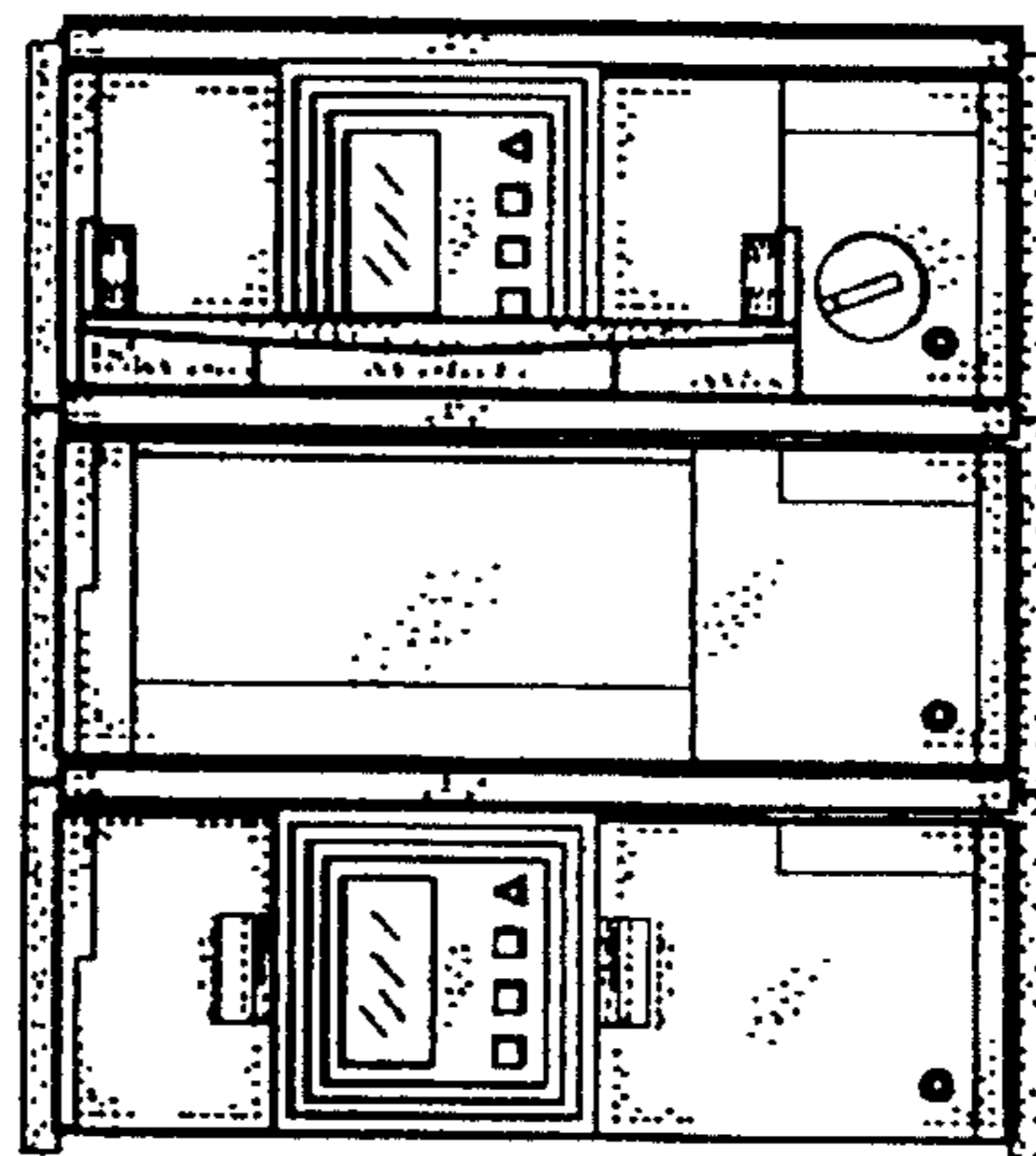


FIG. 2

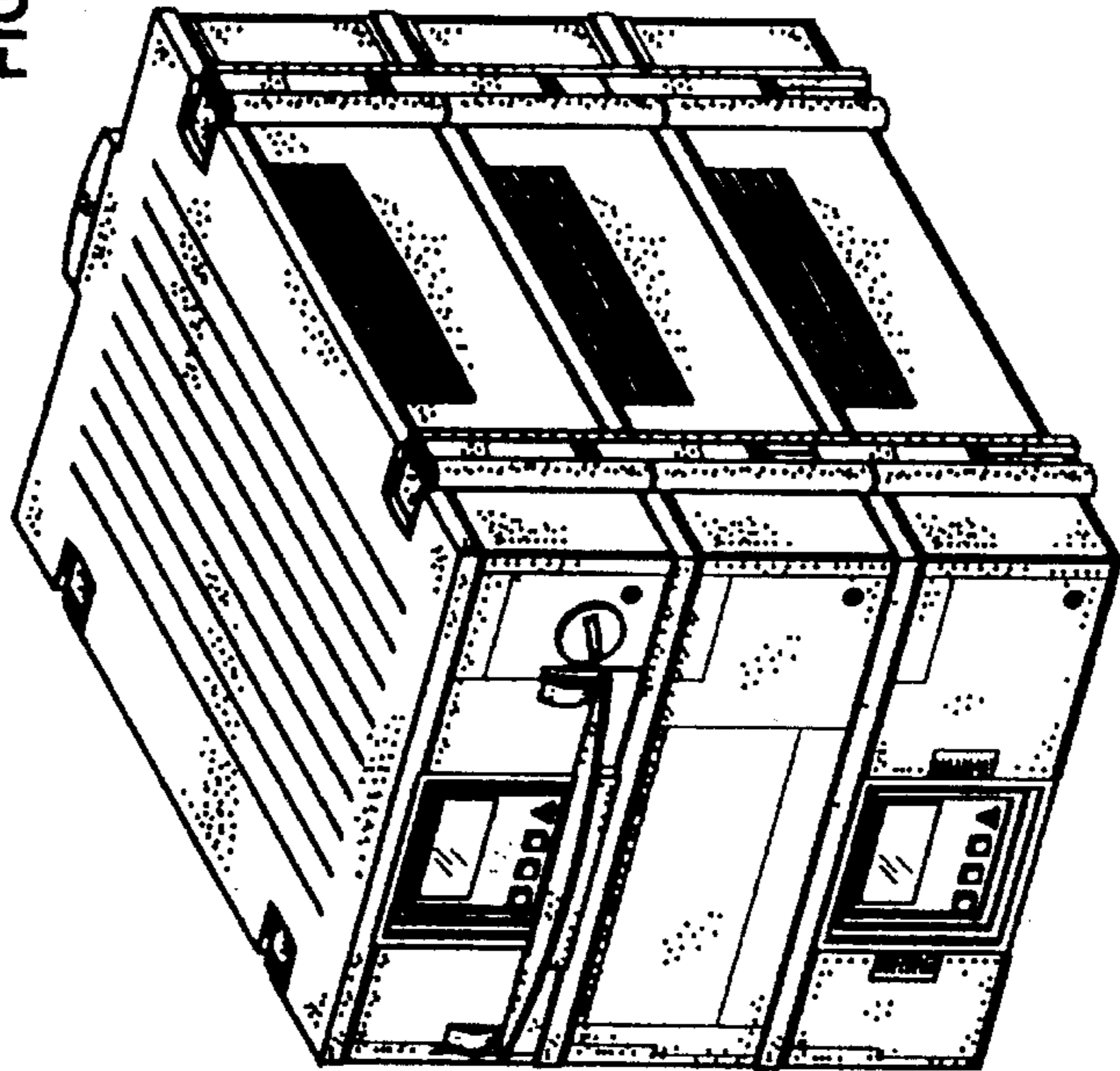


FIG. 8

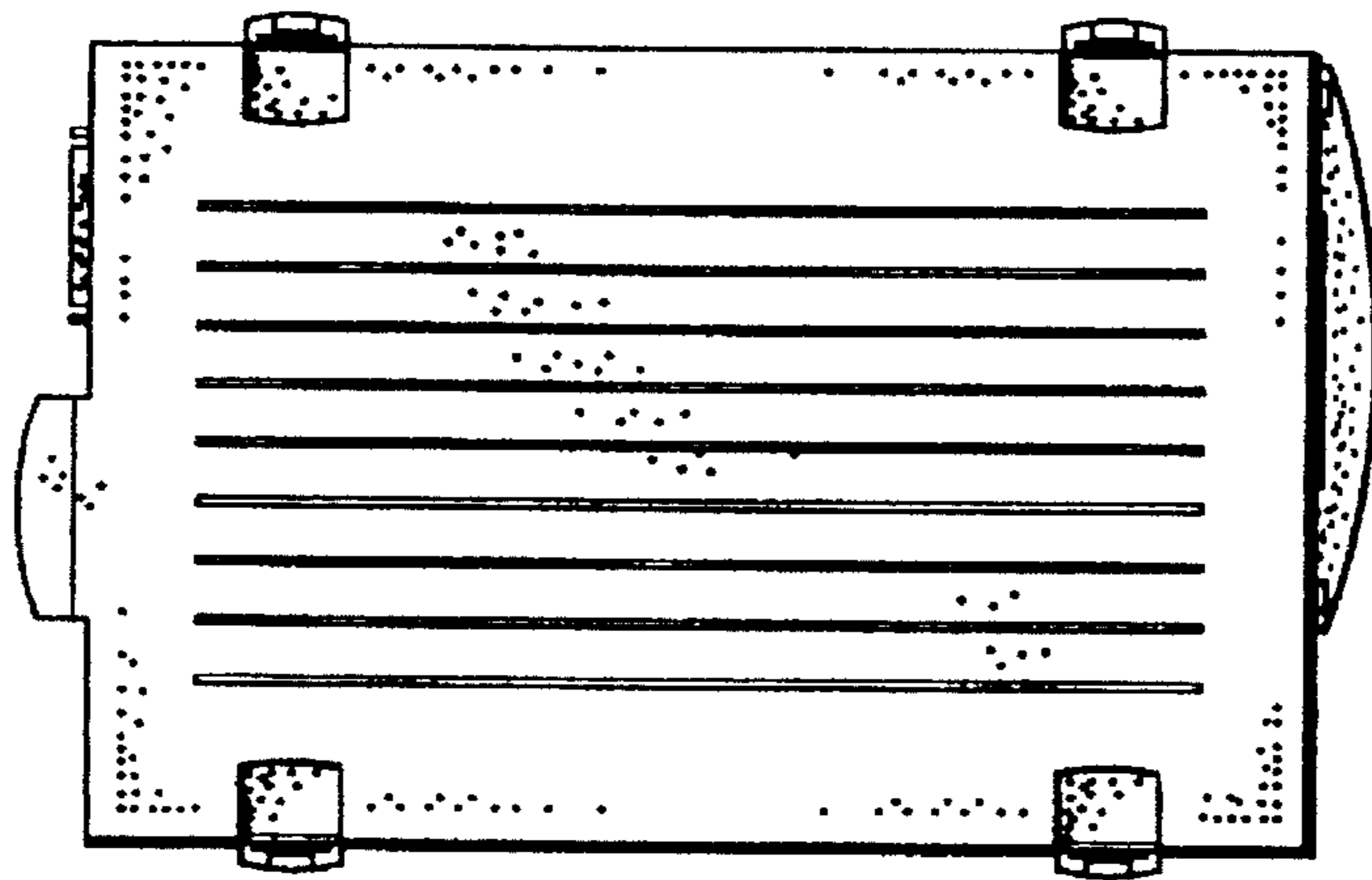


FIG. 5

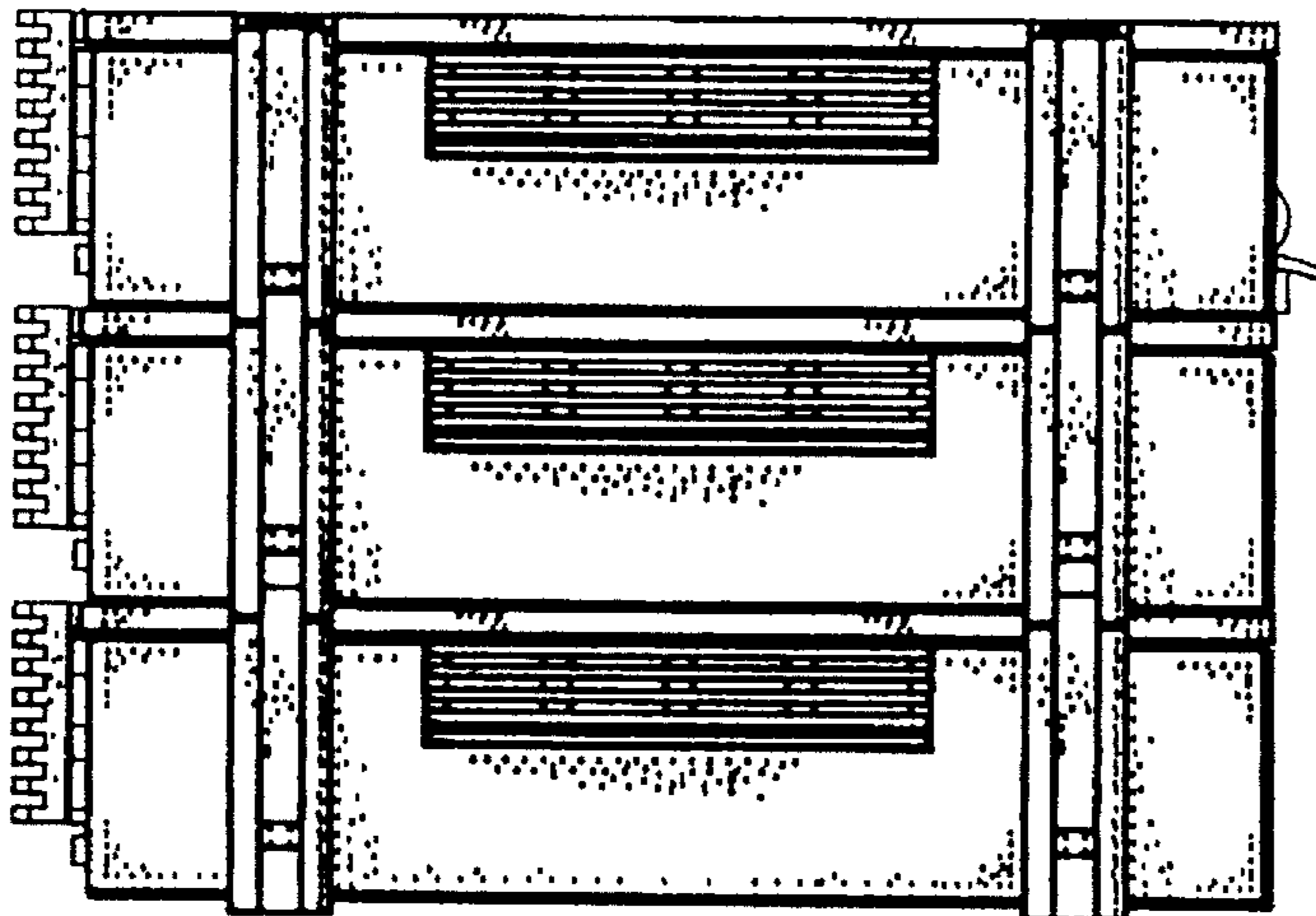


FIG. 4

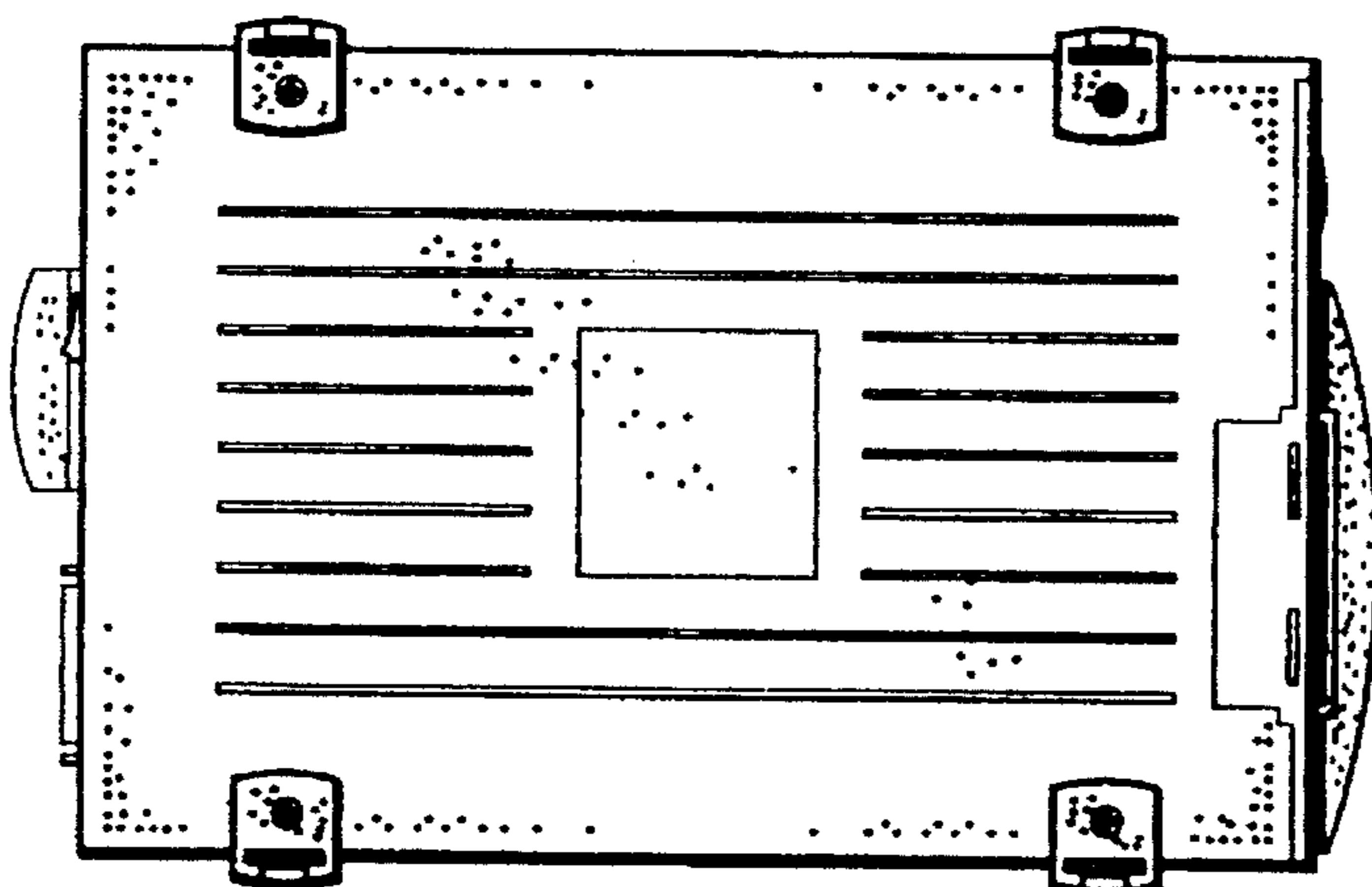


FIG. 6

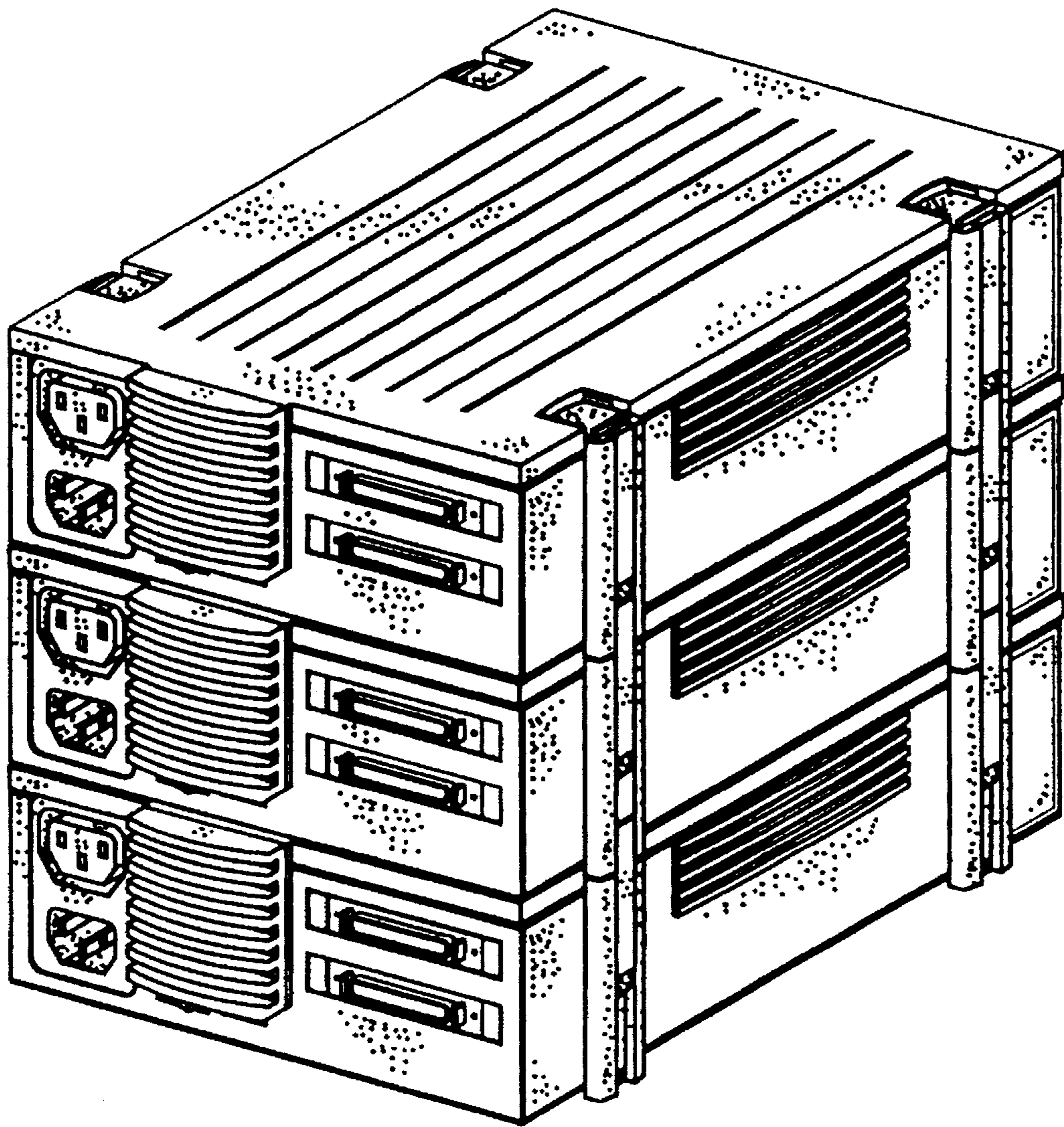


FIG. 9