



US00D371767S

United States Patent [19]

Faranda et al.

[11] Patent Number: **Des. 371,767**

[45] Date of Patent: ****Jul. 16, 1996**

[54] **NOTEBOOK COMPUTER ENCLOSURE**

D. 339,113 9/1993 Kelly et al. D14/106
D. 343,407 1/1994 Kando D14/106

[75] Inventors: **Robert T. Faranda**, Acton; **Christian C. Landry**, Harvard, both of Mass.; **Margaret L. Hetfield**, San Jose, Calif.; **Michele Bovio**, Boston, Mass.

OTHER PUBLICATIONS

O. G., Aug. 17, 1993, p. 2133, showing drawing of "Micro-computer Keyboard", U.S. Des. Pat. No. 338,459.

[73] Assignee: **Digital Equipment Corporation**, Maynard, Mass.

Primary Examiner—Freda Nunn
Attorney, Agent, or Firm—James F. Thompson; Ronald C. Hudgens

[**] Term: **14 Years**

[57] CLAIM

[21] Appl. No.: **31,818**

The ornamental design for a notebook computer enclosure, as shown and described.

[22] Filed: **Dec. 6, 1994**

[52] U.S. Cl. **D14/106**

DESCRIPTION

[58] Field of Search D14/100, 101, D14/106, 113, 115; D18/1, 7; 345/104, 156, 168, 173, 901-905, 87; 361/679-686; 364/708.1, 709.04, 709.12

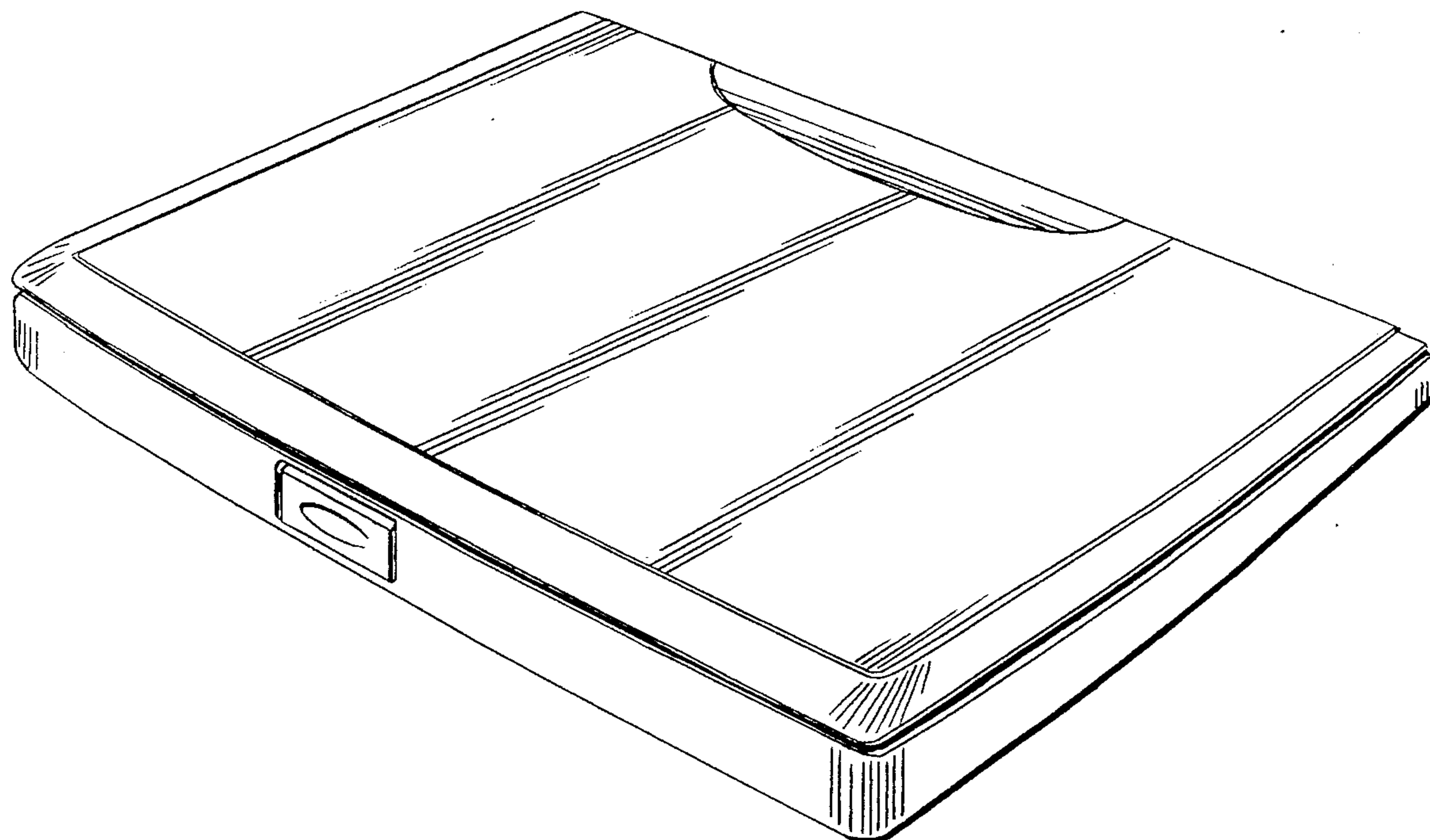
FIG. 1 is a front right side perspective view of the notebook computer enclosure with the top display panel in the closed position showing our new design; FIG. 2 is a front view thereof; FIG. 3 is a rear view thereof; FIG. 4 is a left side view thereof; FIG. 5 is a right side view thereof; FIG. 6 is a top view thereof; and, FIG. 7 is a bottom view thereof. FIGS. 6 and 7 are drawn to a reduced scale.

[56] References Cited

U.S. PATENT DOCUMENTS

D. 332,783 1/1993 Krakower D14/106
D. 336,286 6/1993 Iino D14/106
D. 337,096 7/1993 Iino D14/106
D. 337,759 7/1993 Brunner D14/106
D. 338,456 8/1993 Brunner D14/106

1 Claim, 4 Drawing Sheets



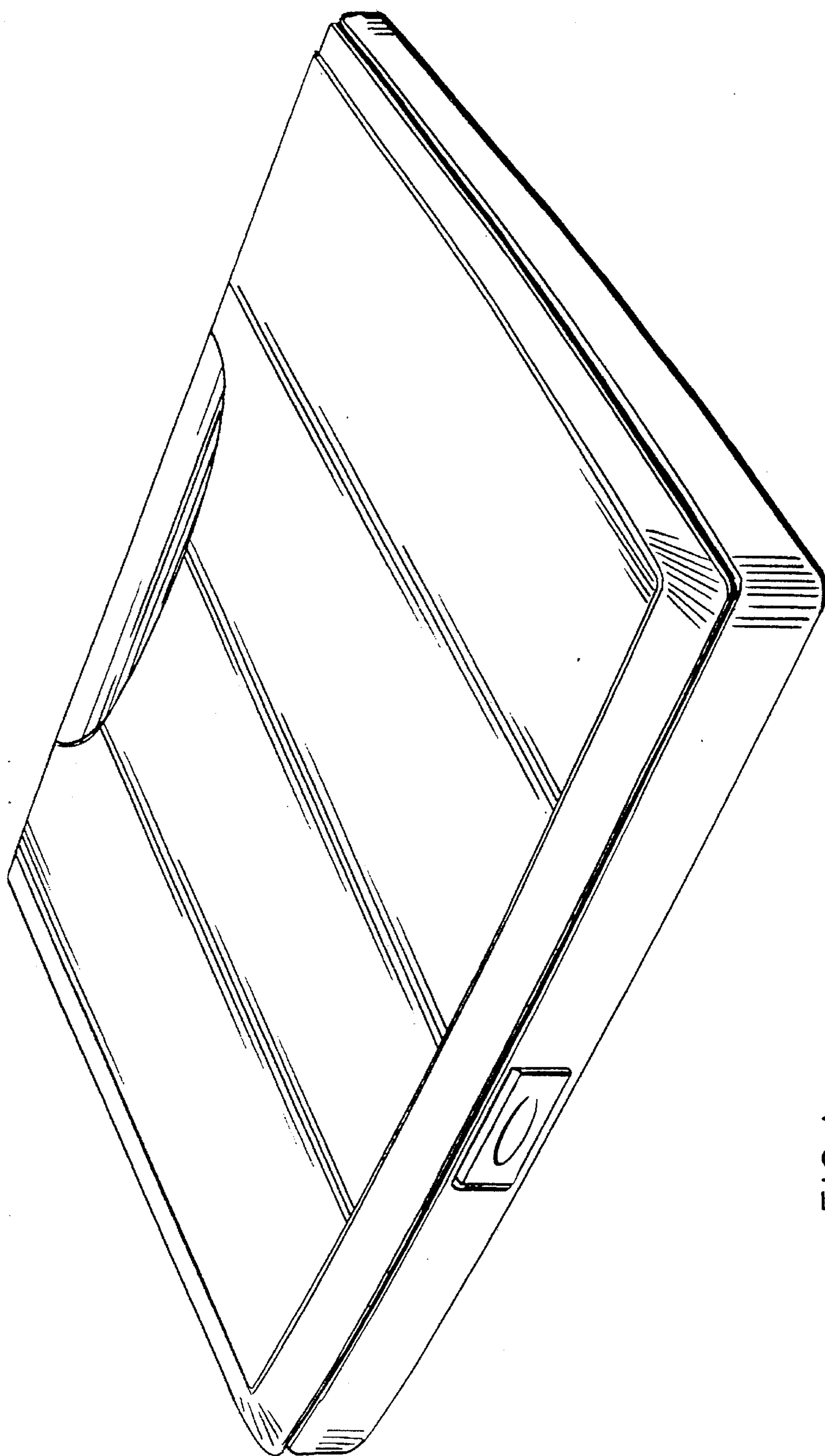


FIG. 1

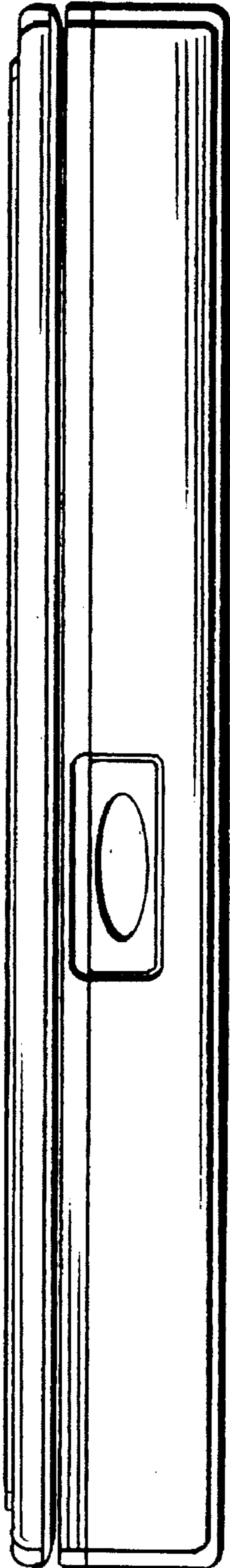


FIG. 2

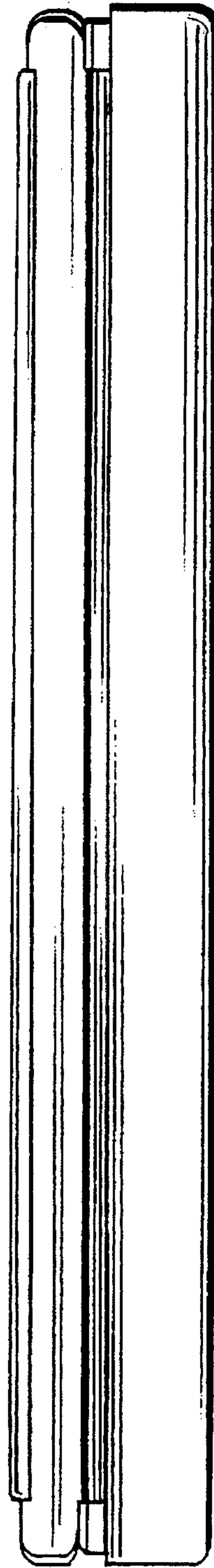


FIG. 3

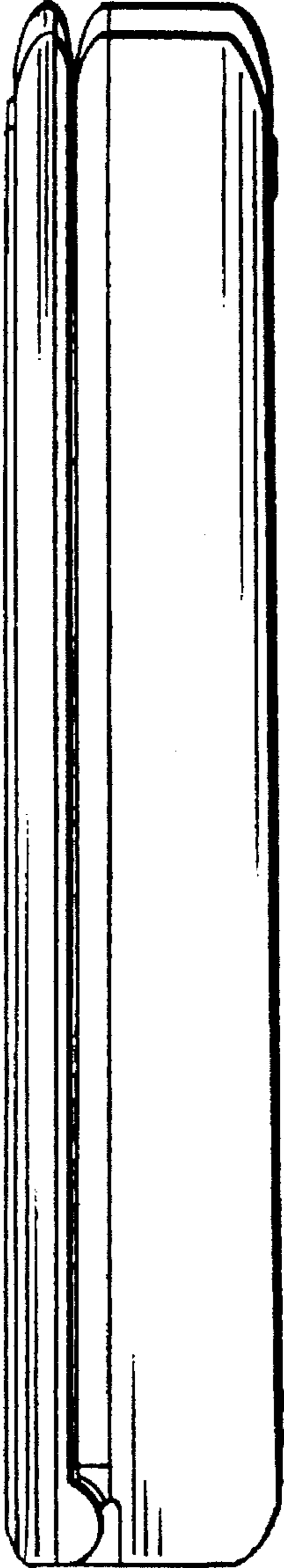


FIG. 4

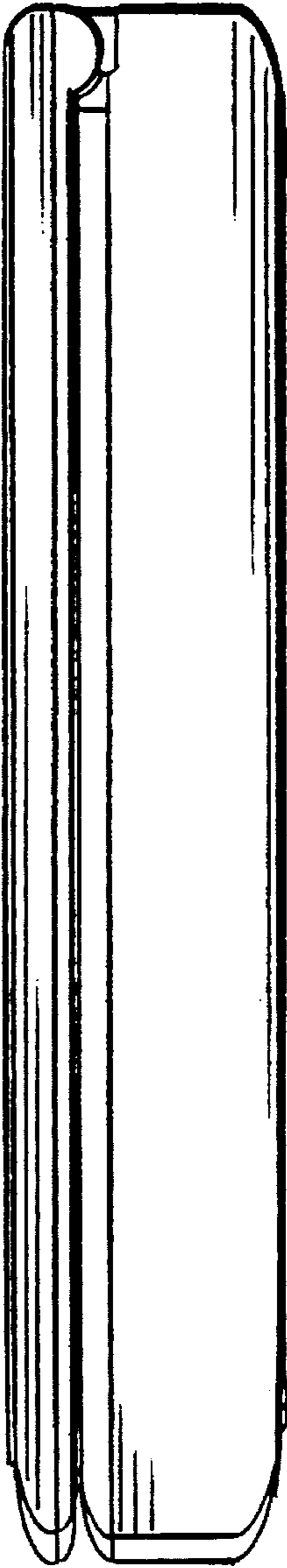


FIG. 5

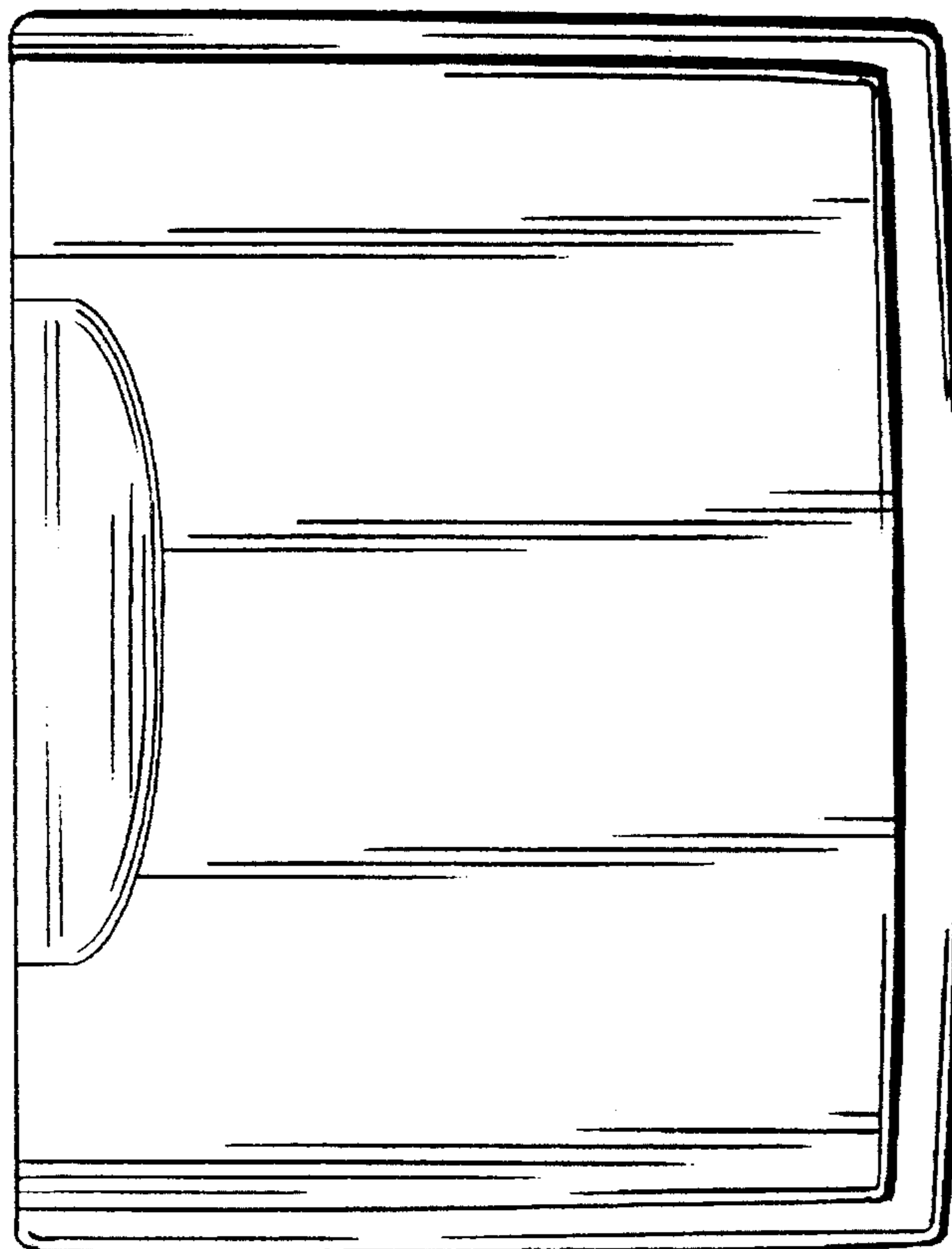


FIG. 6

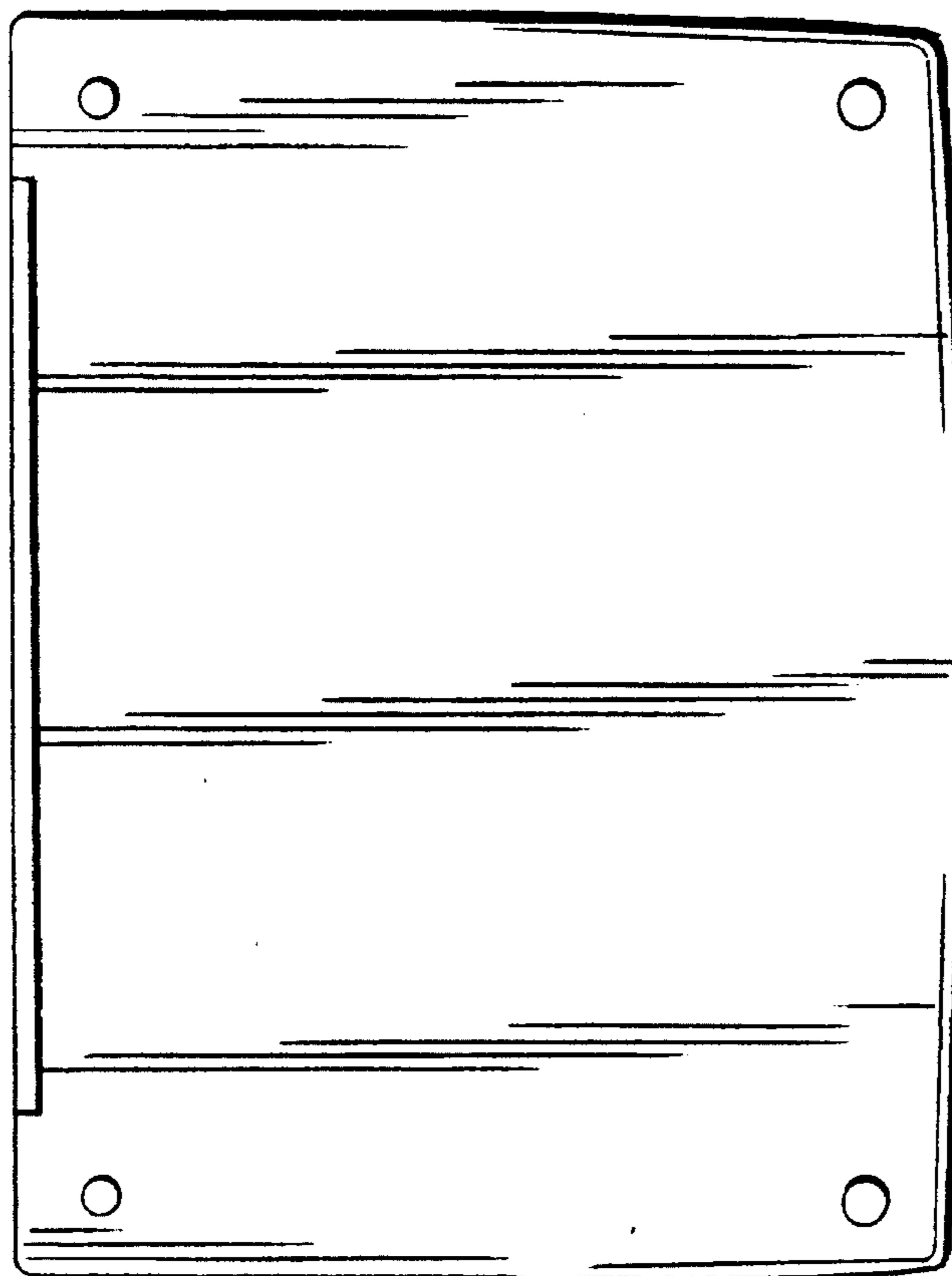


FIG. 7