



US00D371764S

# United States Patent [19]

Seid et al.

[11] Patent Number: **Des. 371,764**

[45] Date of Patent: **\*\*Jul. 16, 1996**

[54] **COMPUTER ENCLOSURE**

[75] Inventors: **Calvin Q. Seid**, Palo Alto; **Ian C. MacColl**, San Francisco; **Timothy J. L. Parsey**, Palo Alto, all of Calif.

[73] Assignee: **Apple Computer, Inc.**, Cupertino, Calif.

[\*\*] Term: **14 Years**

[21] Appl. No.: **35,374**

[22] Filed: **Feb. 27, 1995**

[52] U.S. Cl. .... **D14/100**

[58] Field of Search ..... D14/100, 102, D14/107-109; D13/162, 184, 199; D6/432, 436, 445, 448; 312/208.1; 360/97.01, 99.01; 361/694

[56] **References Cited**

**U.S. PATENT DOCUMENTS**

D. 326,089	5/1992	Gowda et al. ....	D14/100
D. 346,367	4/1994	Parsey .....	D14/100
D. 347,212	5/1994	Riley .....	D14/100
D. 361,756	8/1995	Seid et al. ....	D14/100

*Primary Examiner*—Freda Nunn  
*Attorney, Agent, or Firm*—David J. Larwood

[57] **CLAIM**

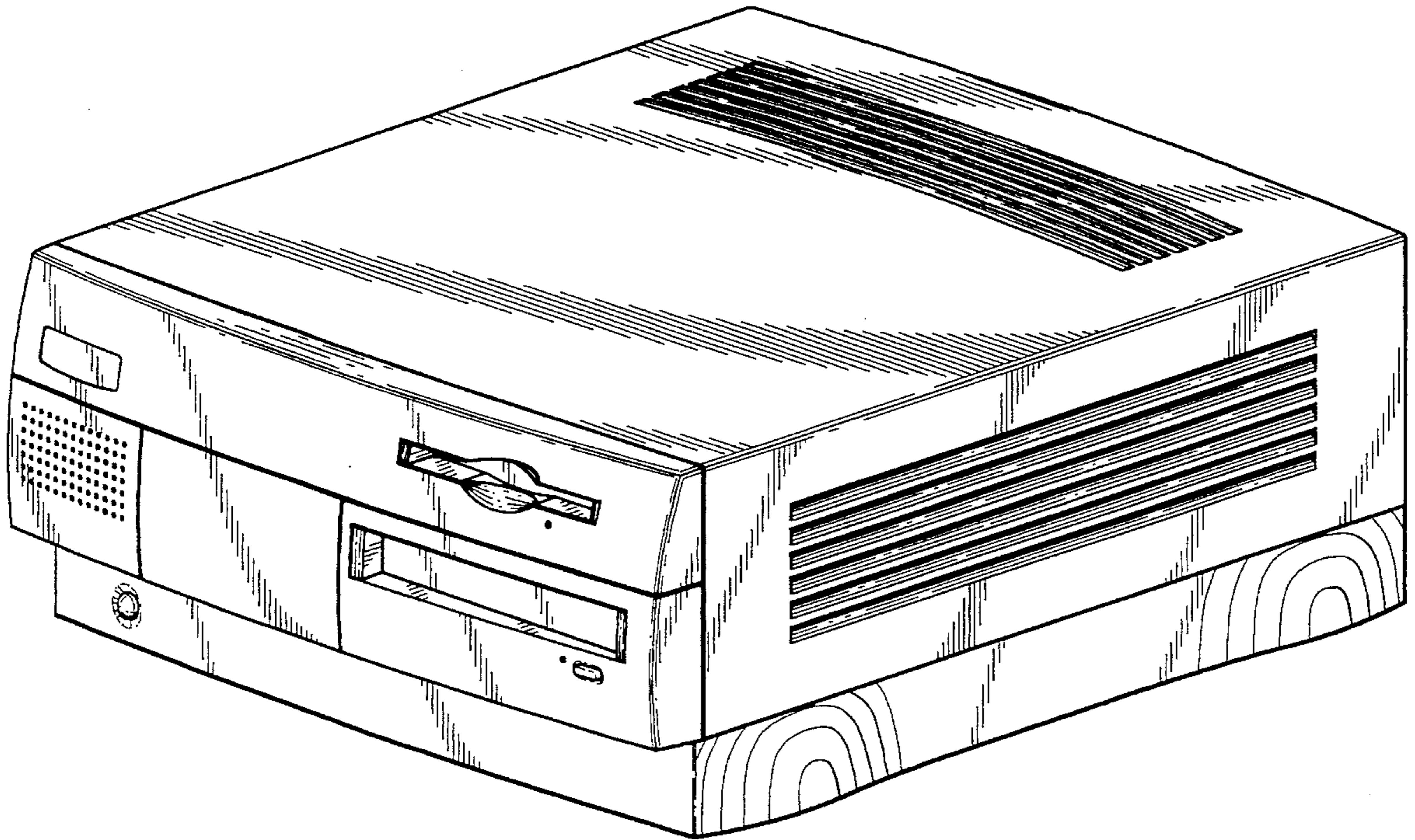
The ornamental design for a computer enclosure, as shown and described.

**DESCRIPTION**

FIG. 1 is a front, top right side perspective view of a computer enclosure showing our new design; FIG. 2 is a rear, bottom, left side perspective view of FIG. 1; FIG. 3 is a front elevational view of FIG. 1; FIG. 4 is a front elevational view of a second embodiment of the computer enclosure of FIG. 1; FIG. 5 is a right side elevational view of FIG. 1; FIG. 6 is a rear elevational view of FIG. 1; FIG. 7 is a rear elevational view of the second embodiment of the computer enclosure of FIG. 1; FIG. 8 is a left side elevational view of FIG. 1; FIG. 9 is a top plan view of FIG. 1; and, FIG. 10 is a bottom plan view of FIG. 1.

The undisclosed views of the second embodiment are identical to those of the first embodiment.

**1 Claim, 10 Drawing Sheets**



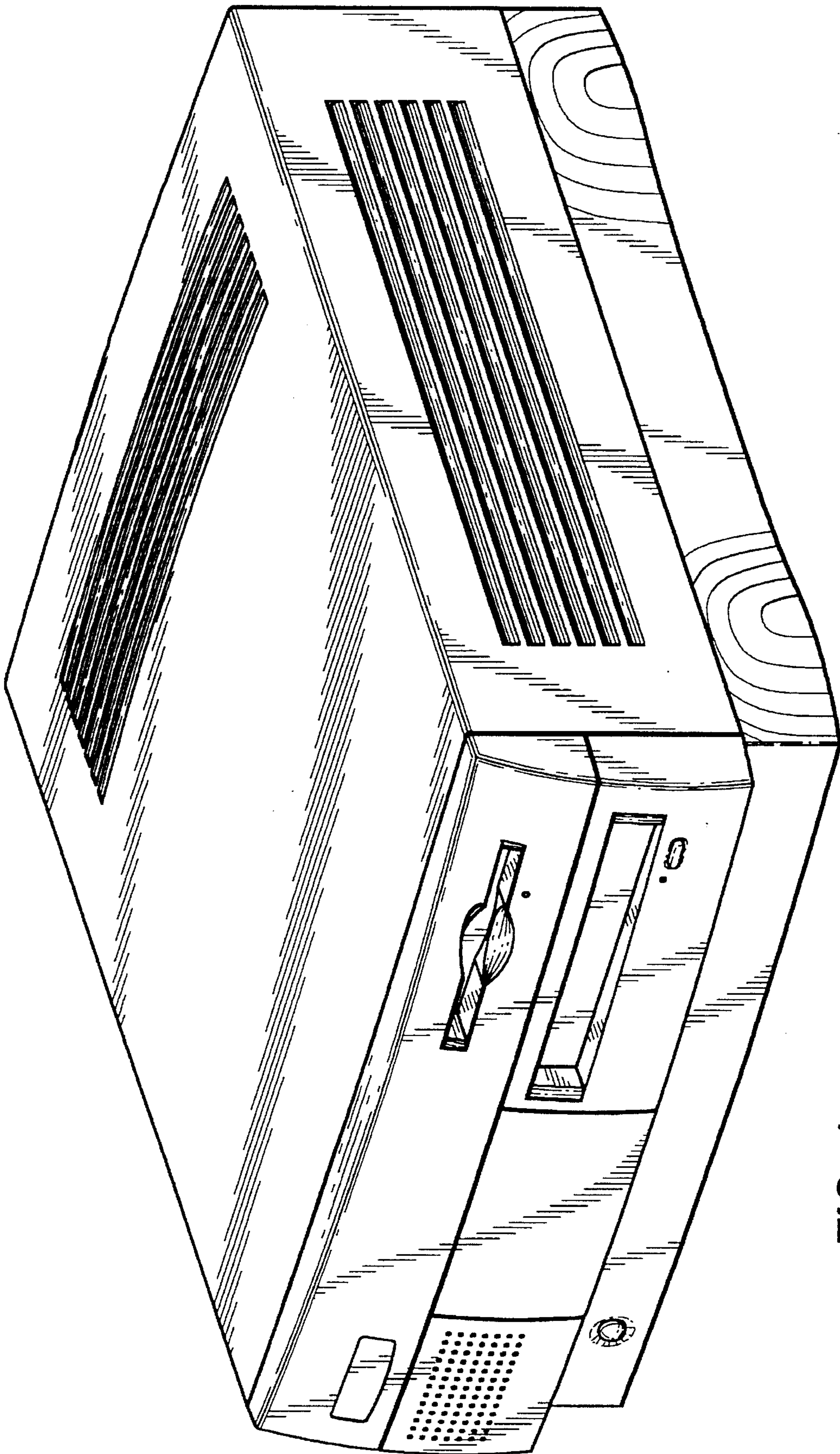


FIG. 1



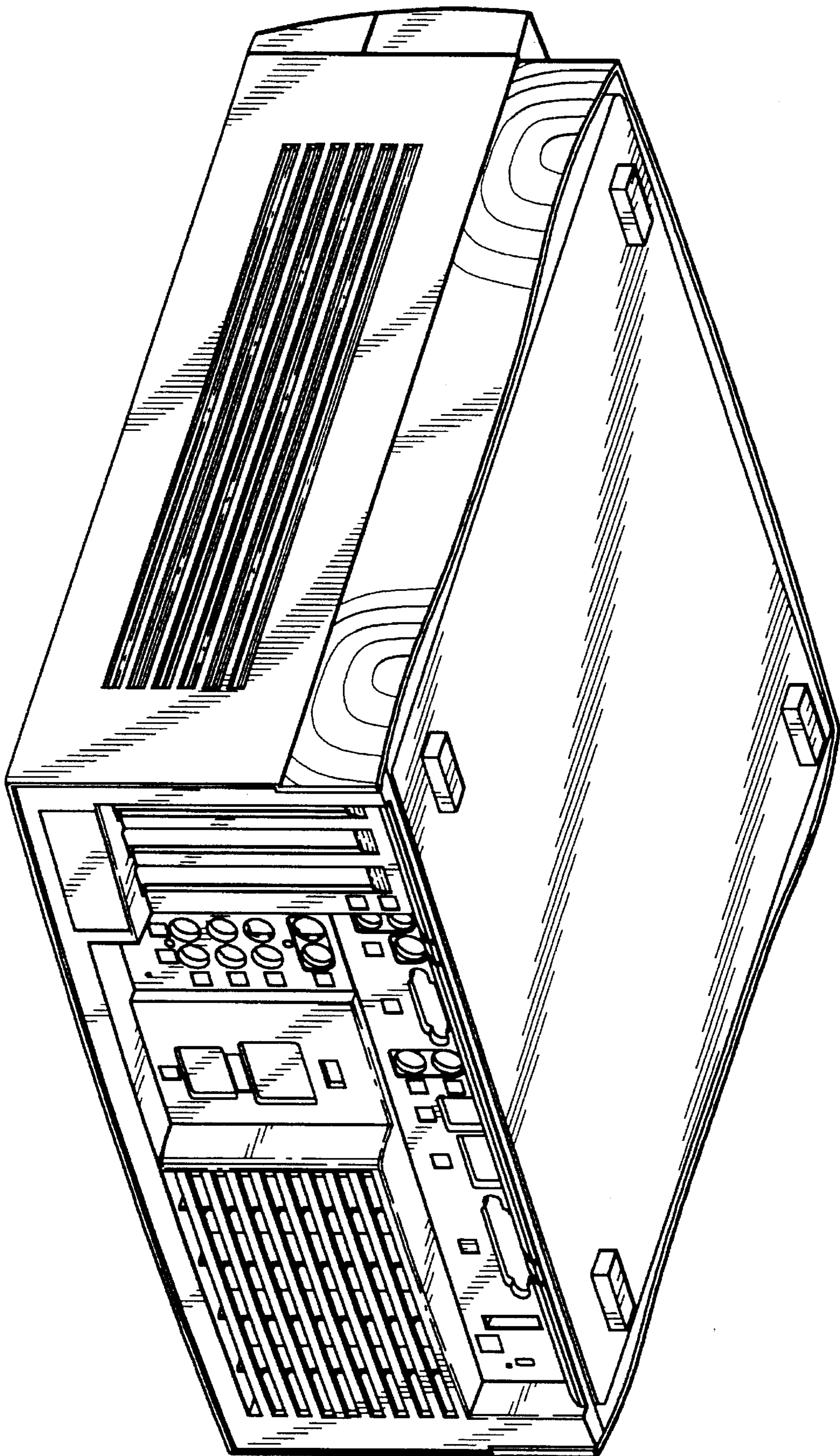
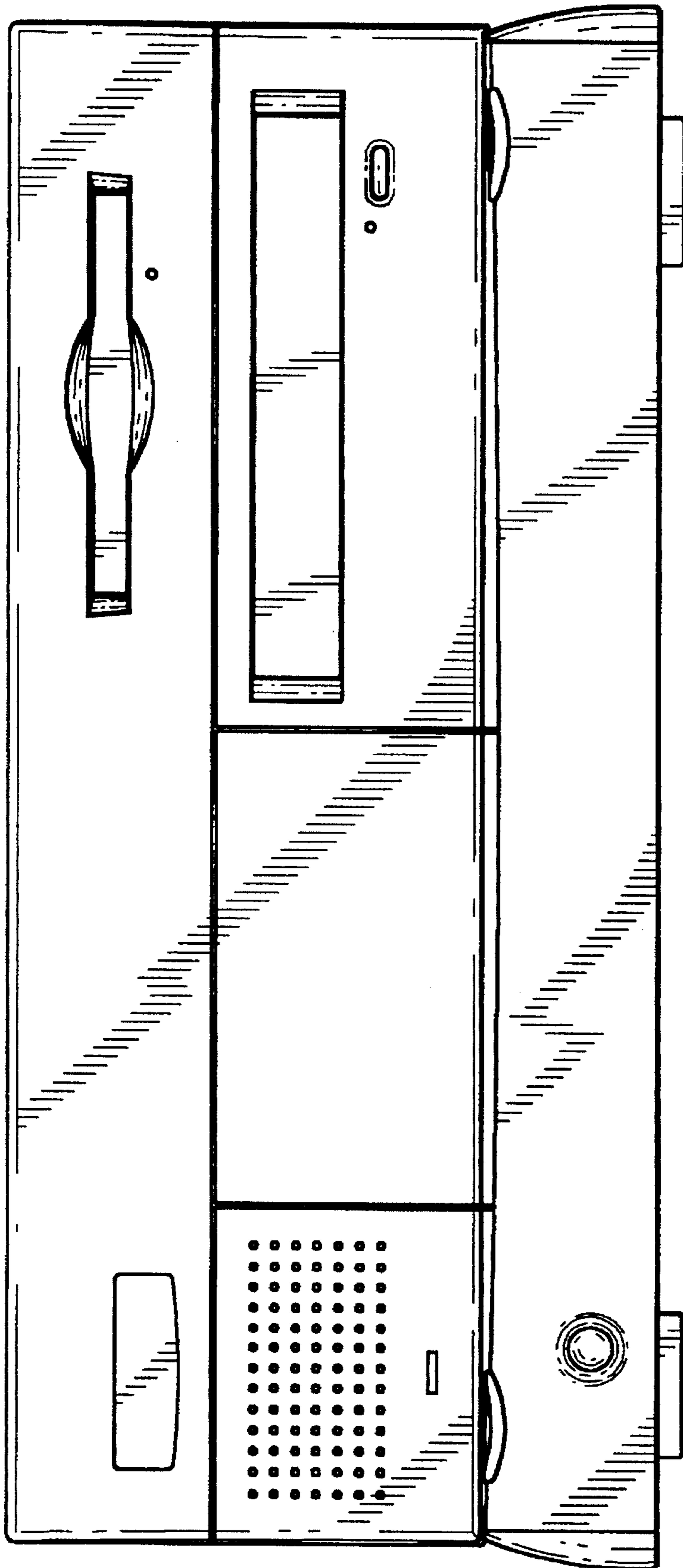
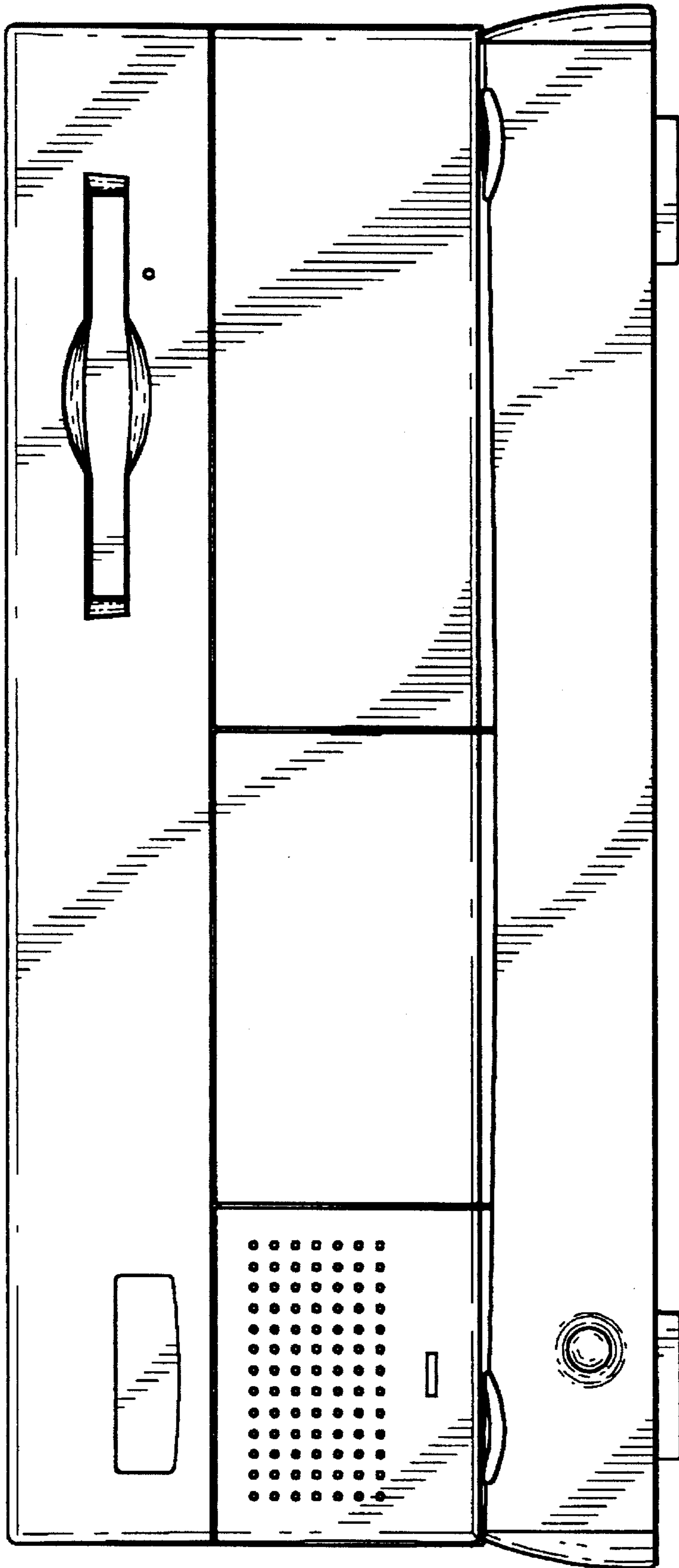


FIG. 2



**FIG. 3**



**FIG. 4**

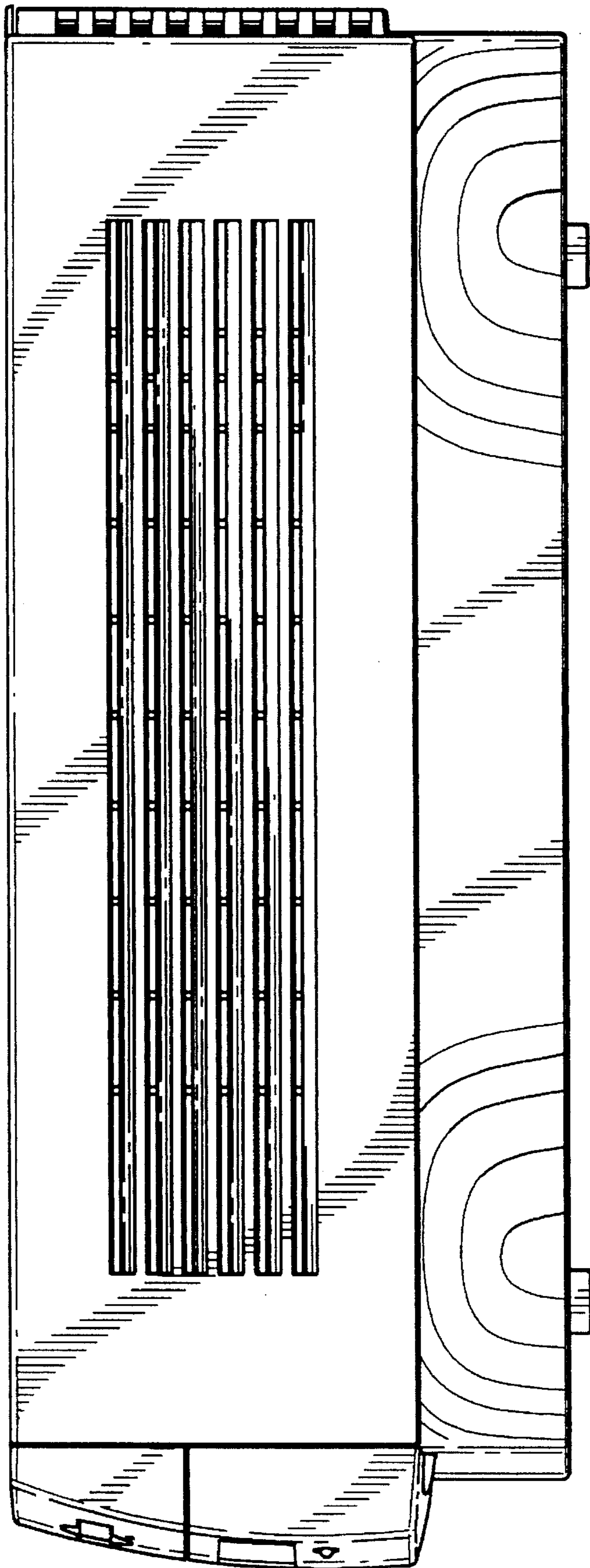
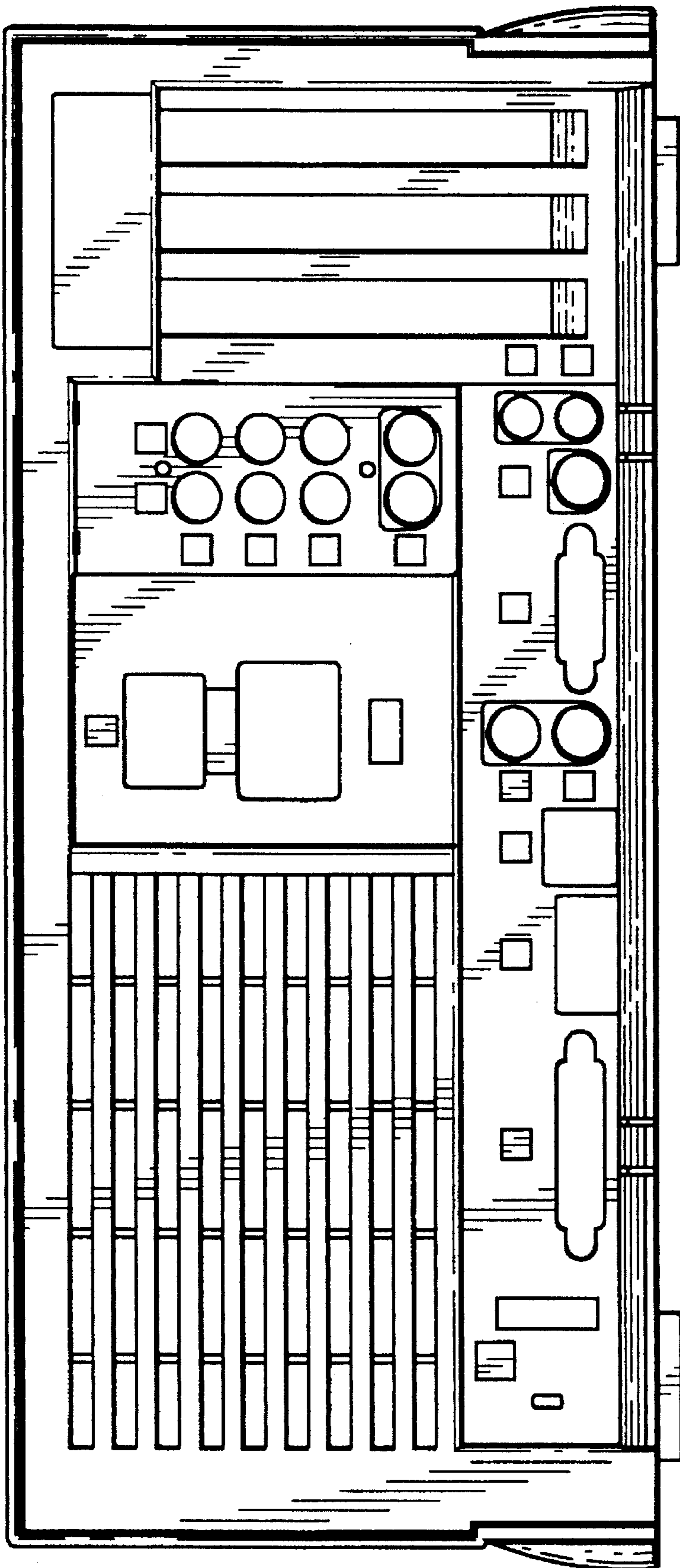
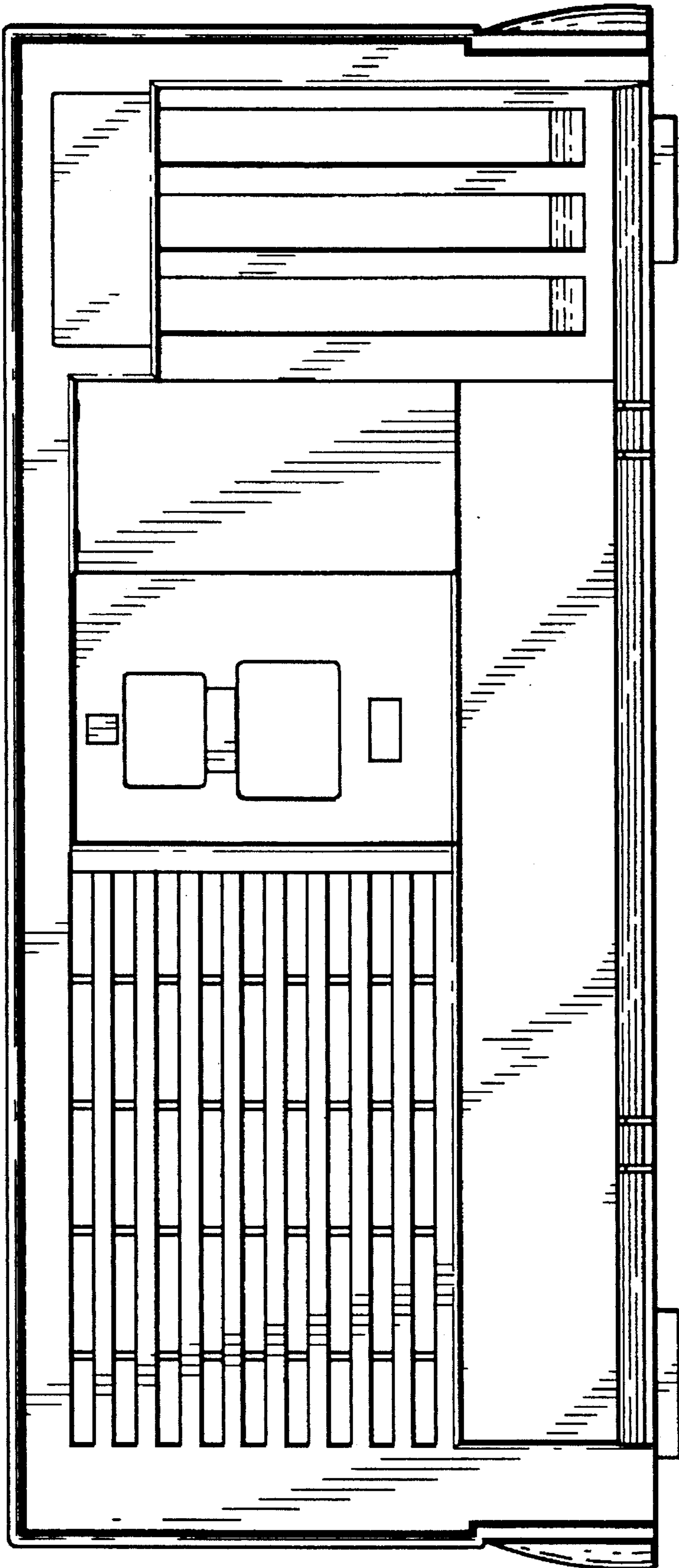


FIG. 5



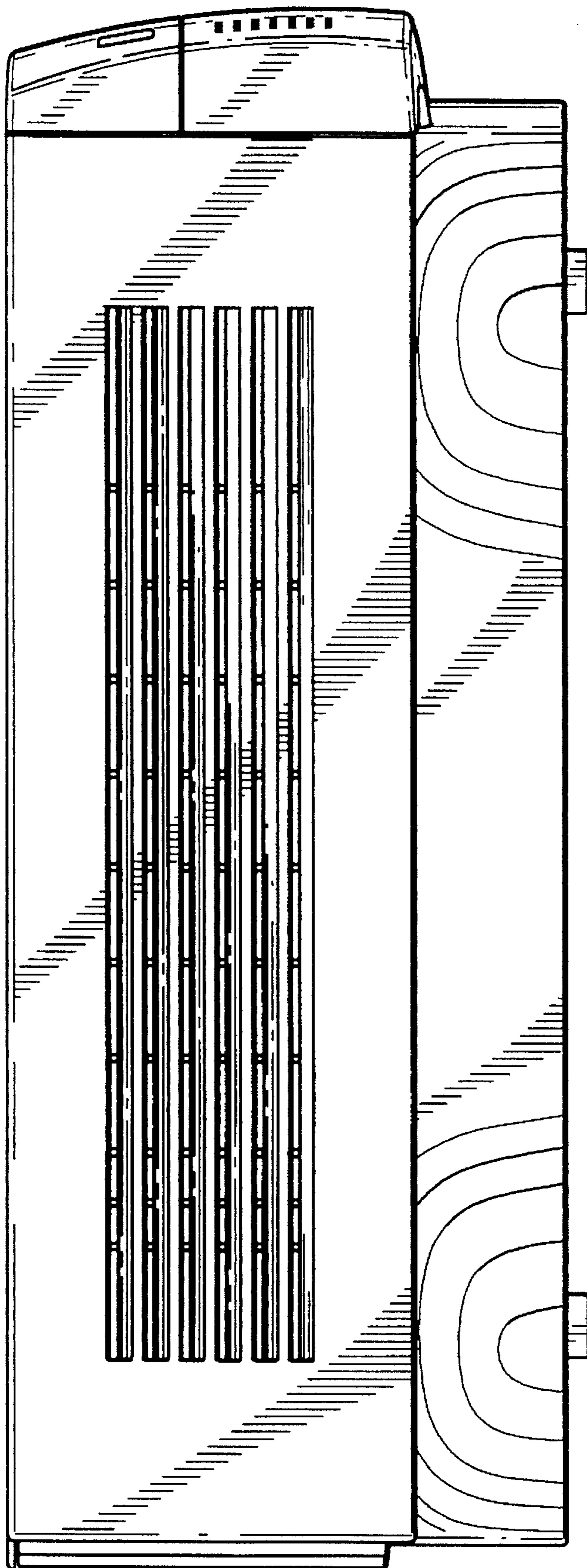


**FIG. 6**



**FIG. 7**





**FIG. 8**

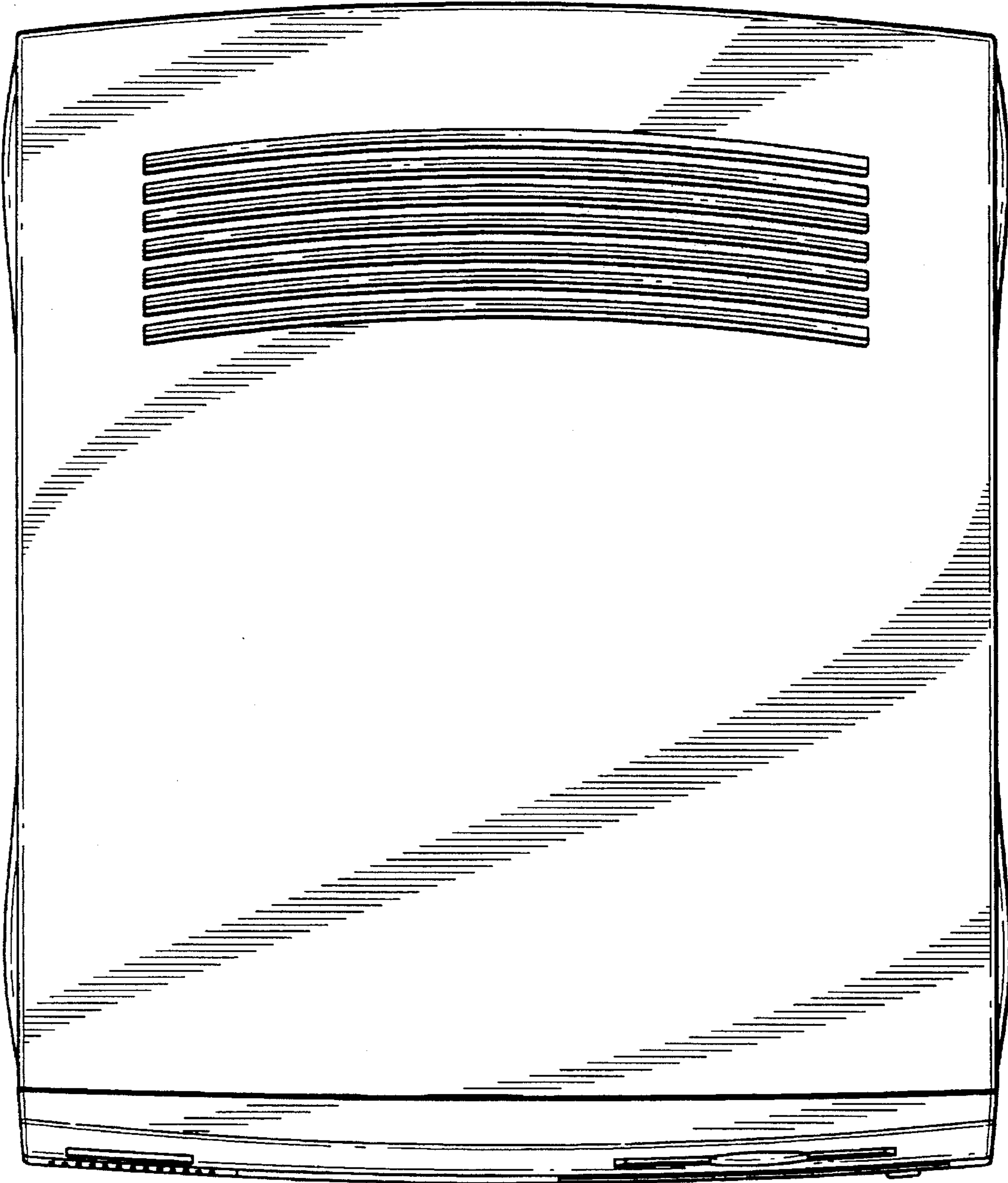


FIG. 9

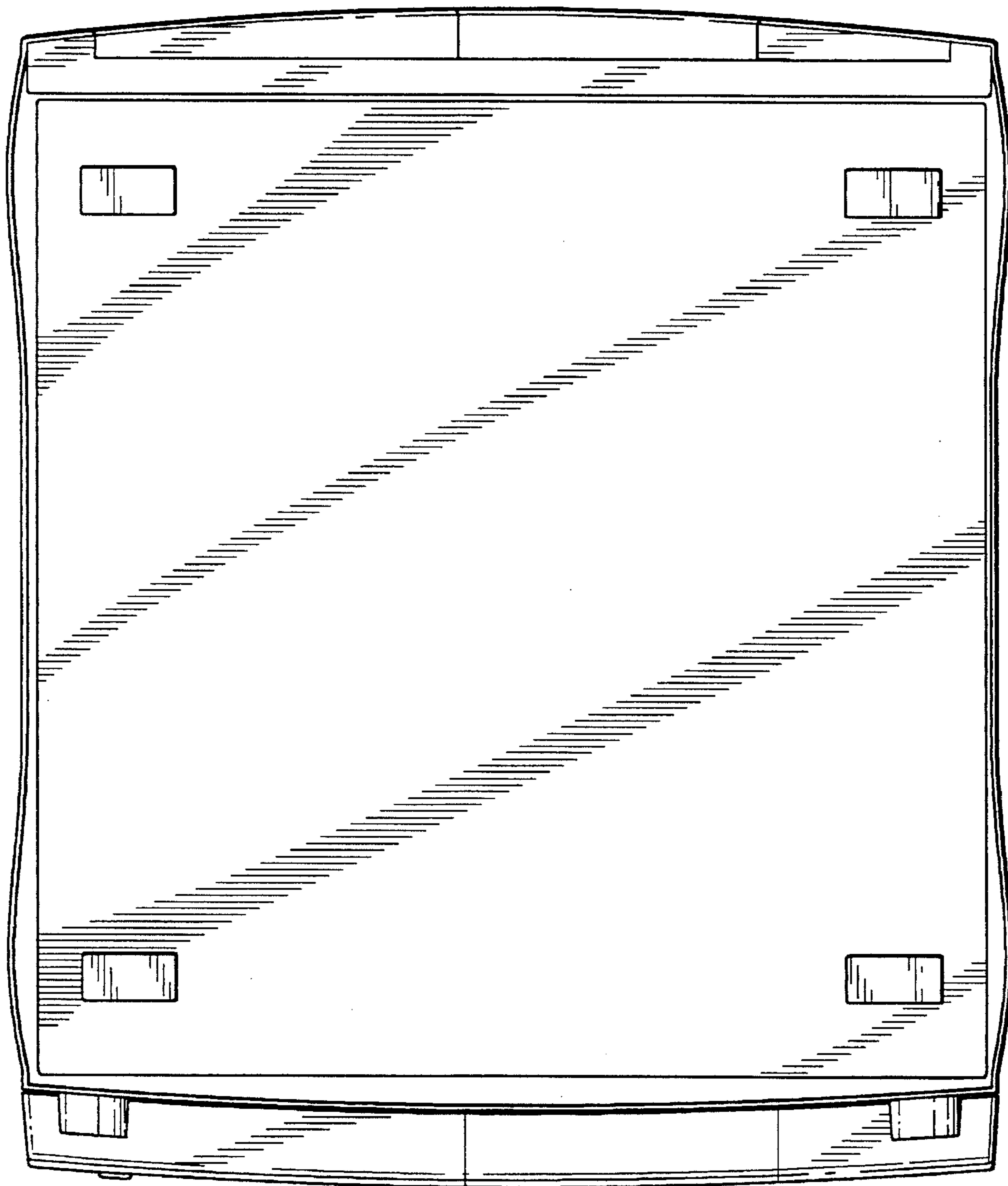


FIG. 10