



US00D371760S

United States Patent [19]

[11] Patent Number: **Des. 371,760**

Ackley et al.

[45] Date of Patent: ****Jul. 16, 1996**

[54] **BOAT OUTHAUL**

[76] Inventors: **William V. Ackley**, P.O. Box 532094, Orlando, Fla. 32853-2094; **Frederick J. Hochstrasser**, 401 W. 8th St., Ship Bottom, N.J. 08008

[**] Term: **14 Years**

[21] Appl. No.: **35,232**

[22] Filed: **Feb. 16, 1995**

[52] U.S. Cl. **D12/317**

[58] Field of Search **D12/317, 318; 114/361**

[56] **References Cited**

PUBLICATIONS

Overton's ©1992, p. 23, "Perko Outrigger Poles" (upper right).

"Lee's Outriggers and Rod Holders", E&B Marine Catalog, Spring 1995, pp. 174-175.

Primary Examiner—Kay H. Chin

Attorney, Agent, or Firm—Allen, Dyer, Doppelt, Franjola & Milbrath

[57] **CLAIM**

The ornamental design for a boat outhaul, as shown and described.

DESCRIPTION

FIG. 1 is a top, left perspective view of an outhaul showing our new design;

FIG. 2 is a right elevation view thereof, the left elevation view being a mirror image;

FIG. 3 is a top plan view thereof;

FIG. 4 is a bottom plan view thereof;

FIG. 5 is a front elevation view thereof;

FIG. 6 is a rear elevation view thereof;

FIG. 7 is a left rear partial perspective view of a second embodiment of FIG. 1;

FIG. 8 is a rear elevational view of the embodiment of FIG. 7;

FIG. 9 is a top plan view of the embodiment of FIG. 7;

FIG. 10 is a bottom plan view of the embodiment of FIG. 7;

FIG. 11 is a front elevational view of the embodiment of FIG. 7;

FIG. 12 is a top left partial perspective view of a third embodiment of FIG. 1;

FIG. 13 is a partial right elevational view of the embodiment of FIG. 12;

FIG. 14 is a front elevational view of the embodiment of FIG. 12;

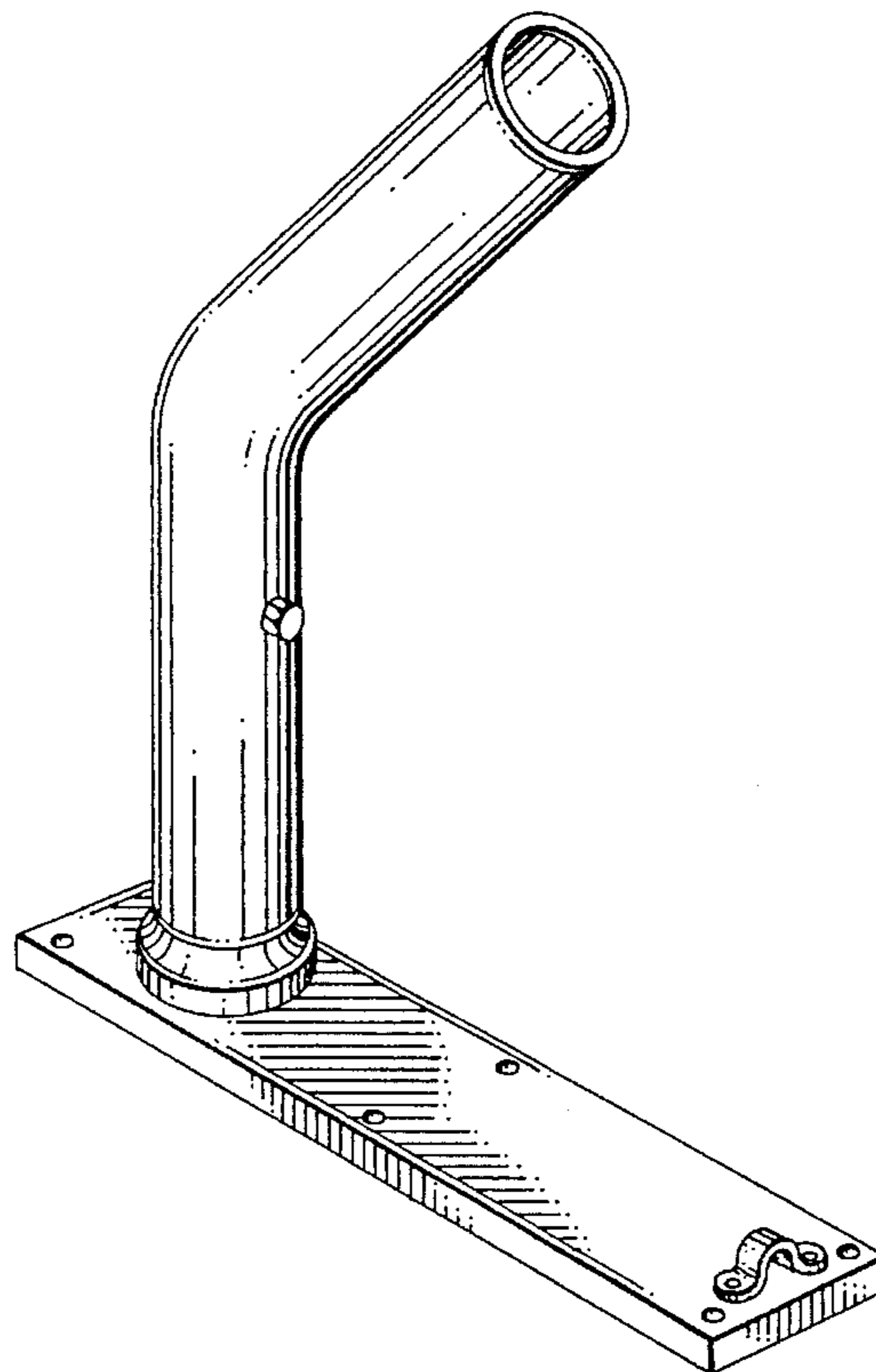
FIG. 15 is a rear elevational view of the embodiment of FIG. 12;

FIG. 16 is a top plan view of the embodiment of FIG. 12; and,

FIG. 17 is a bottom plan view of the embodiment of FIG. 12.

The remaining portion of the base being omitted in FIGS. 7 and 12 for convenience of illustration.

1 Claim, 2 Drawing Sheets



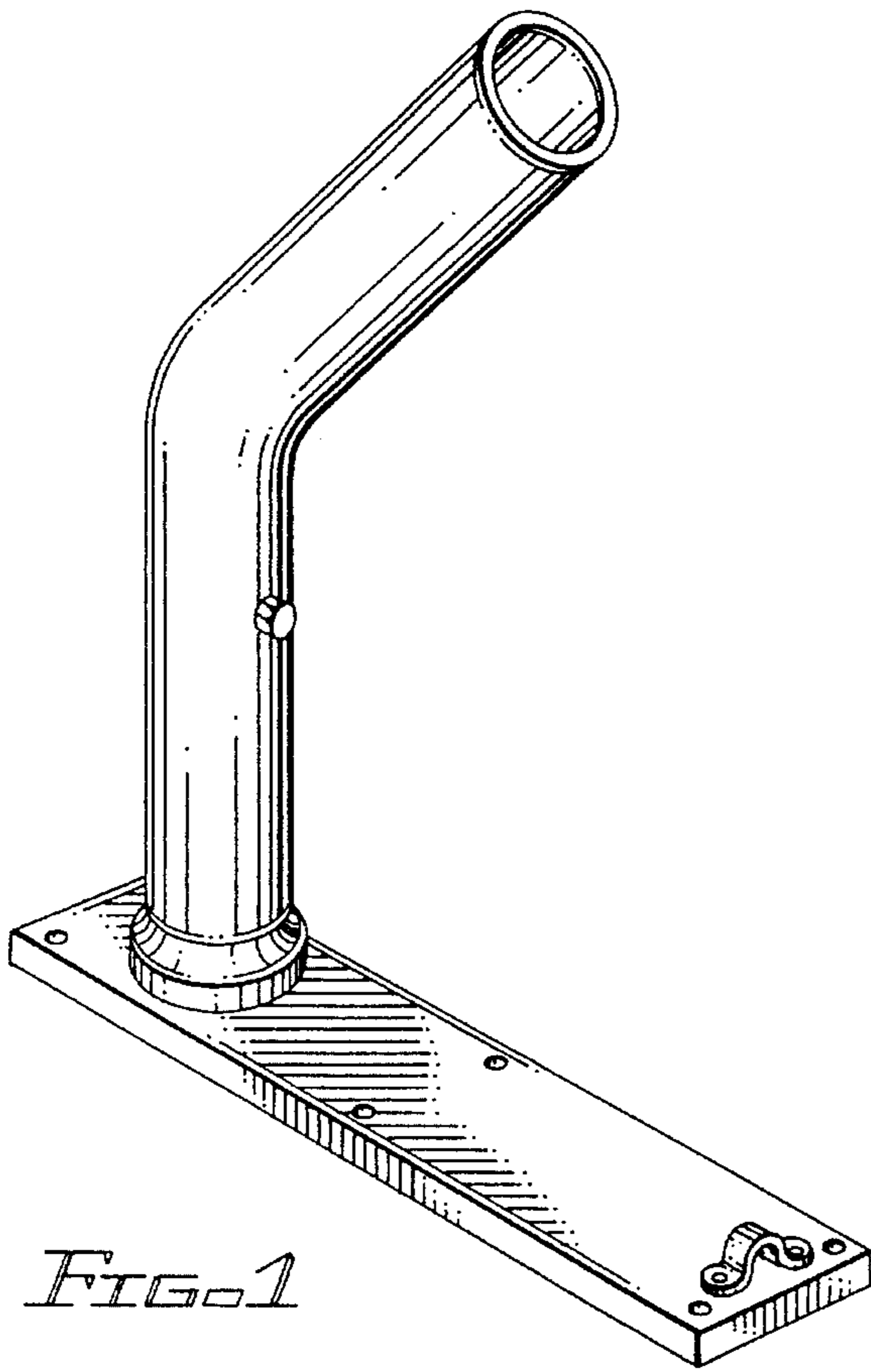


FIG. 1

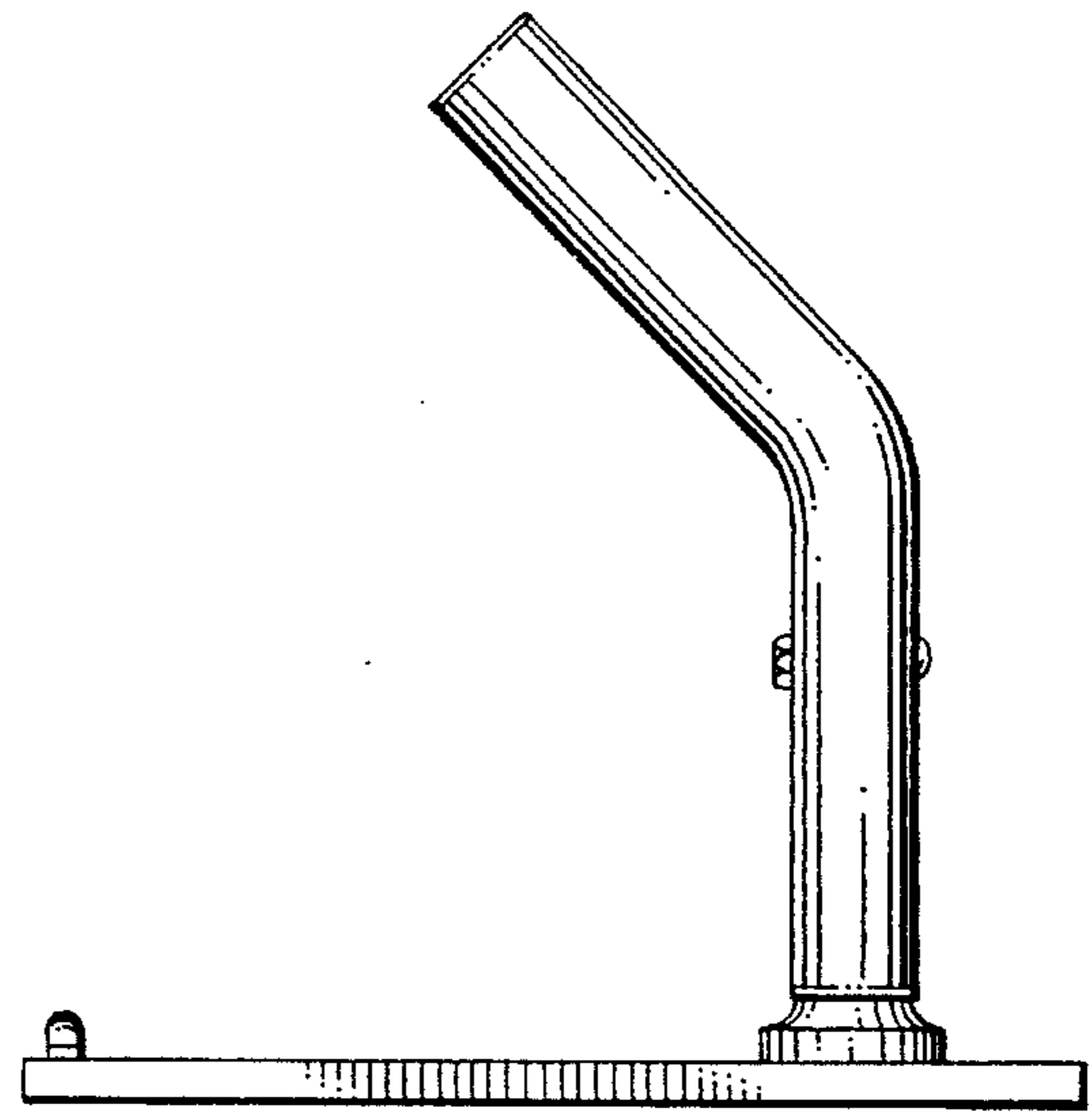


FIG. 2

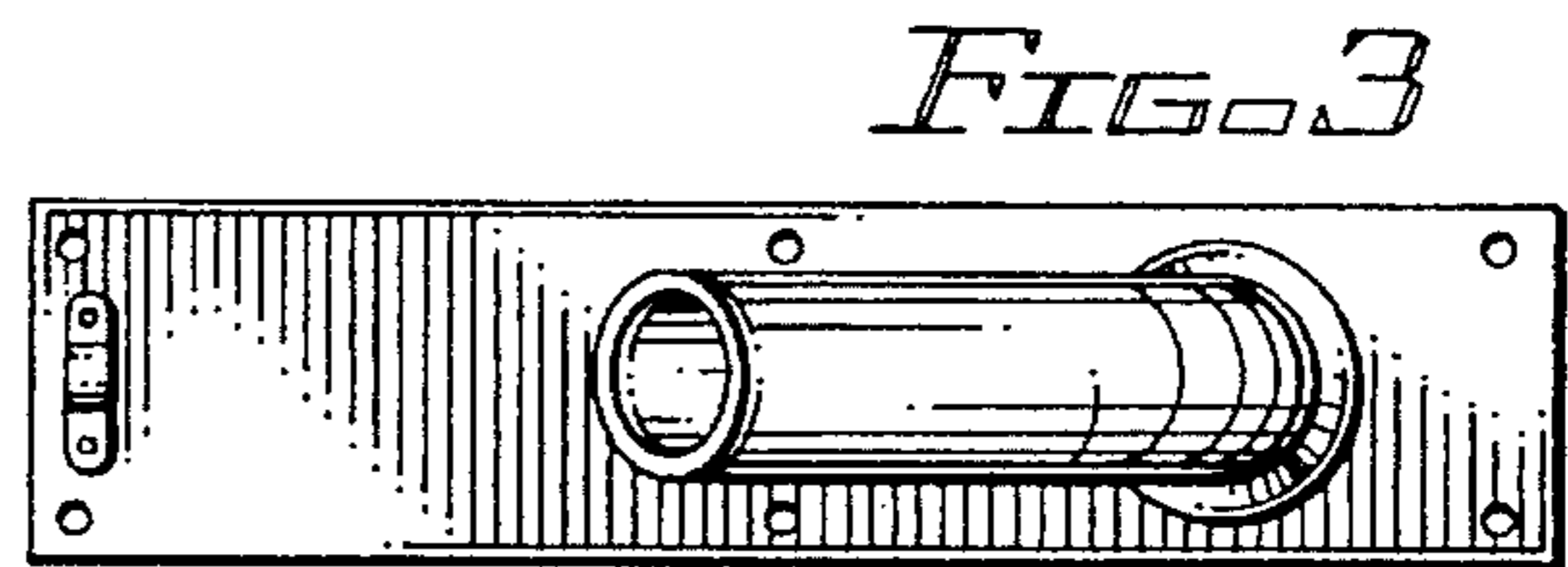


FIG. 3

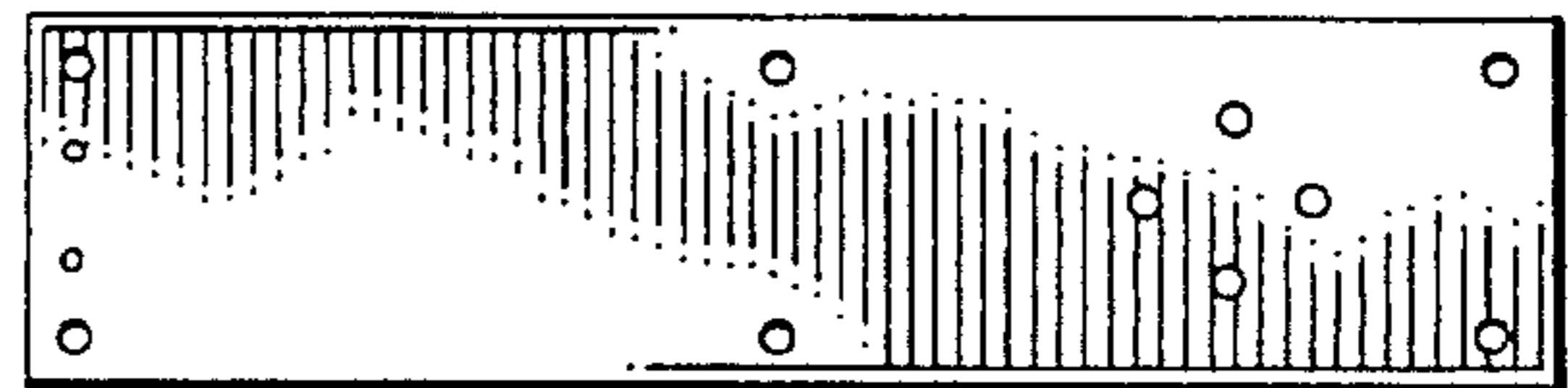


FIG. 4

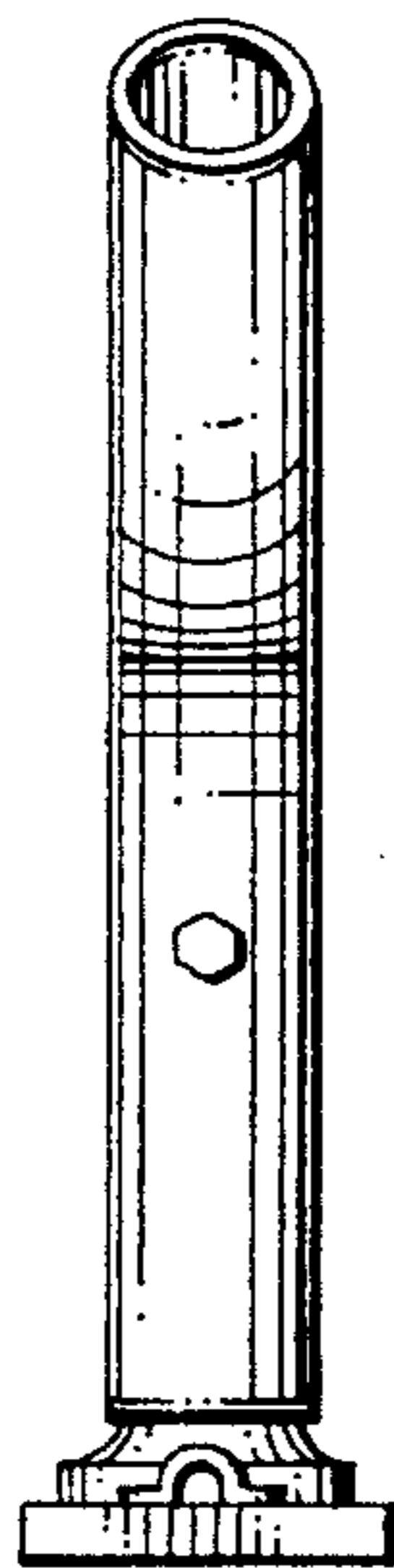


FIG. 5

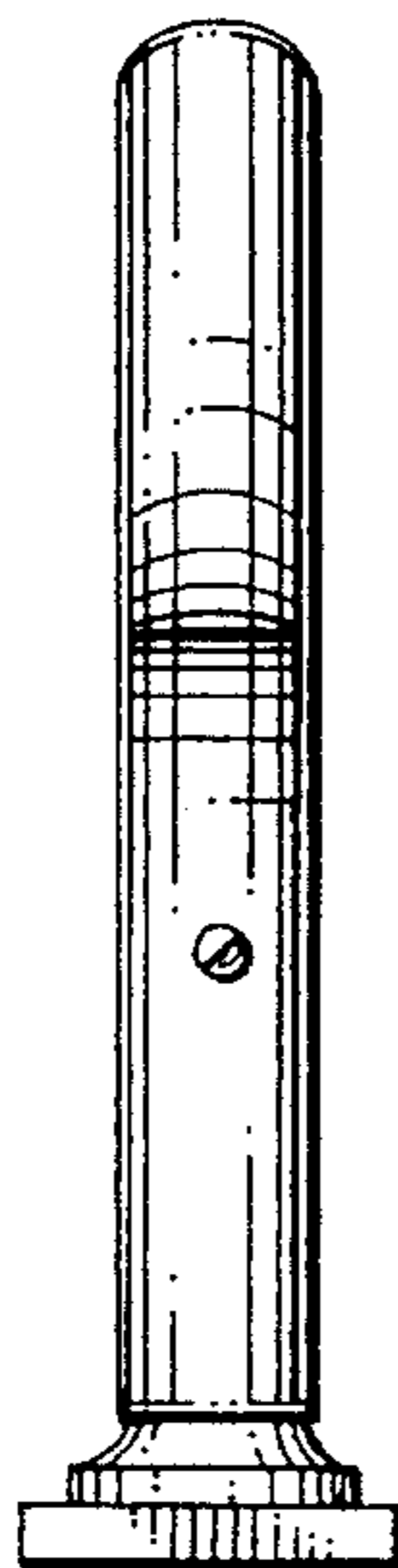


FIG. 6

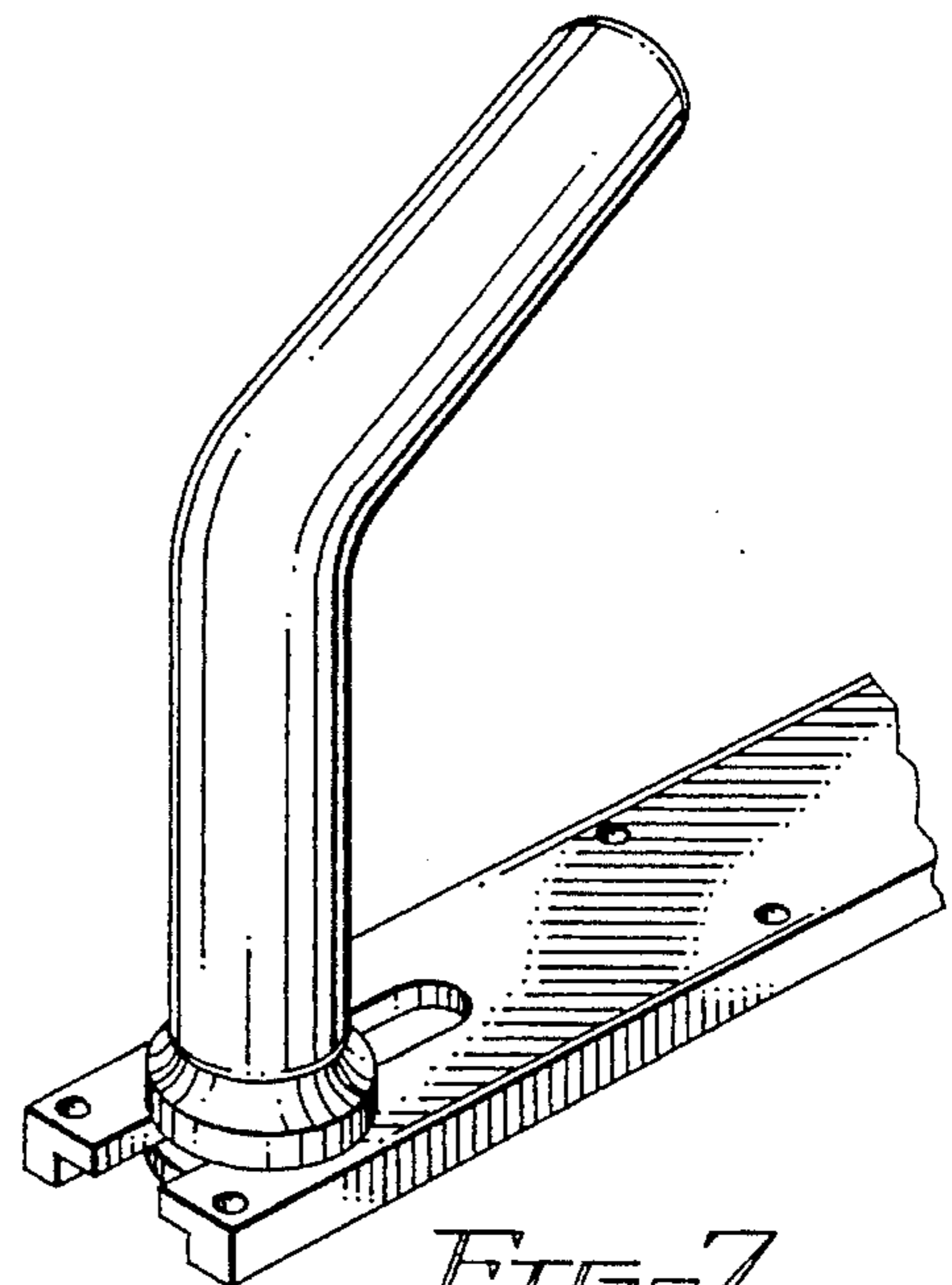


FIG. 7

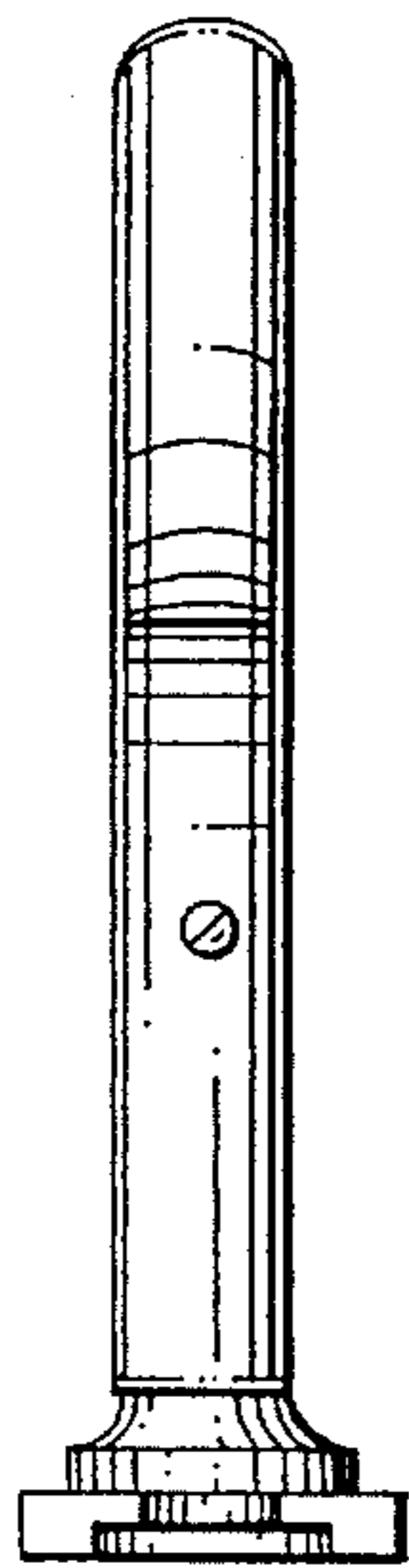


FIG. 8

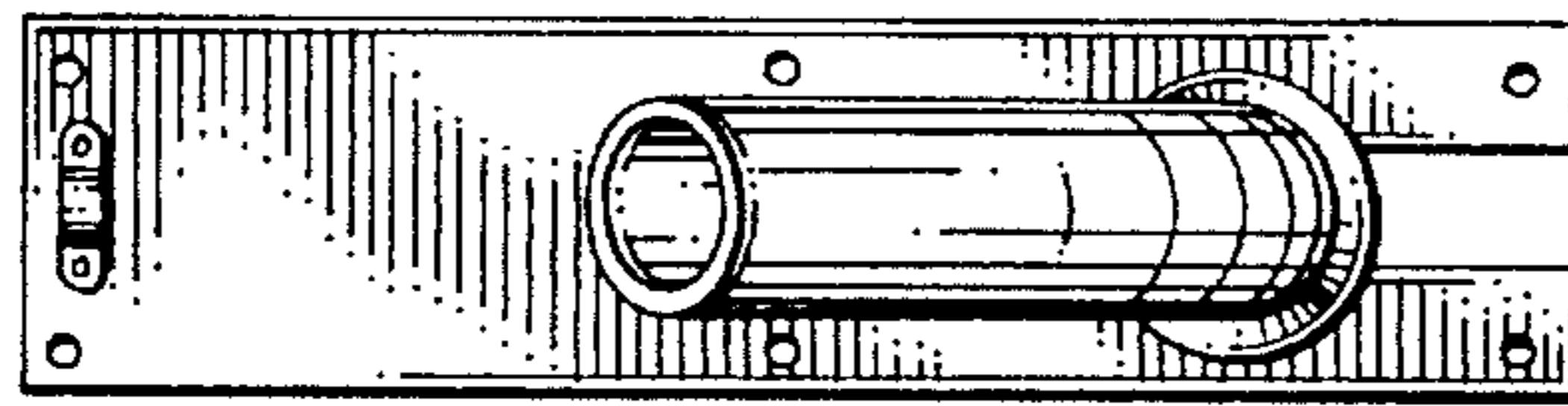


FIG. 9

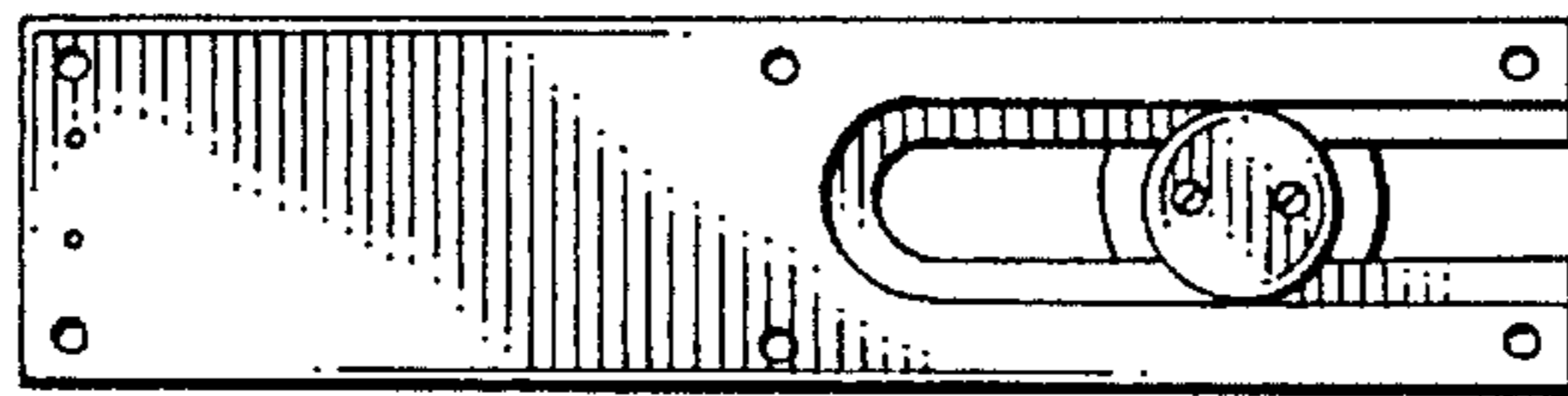


FIG. 10

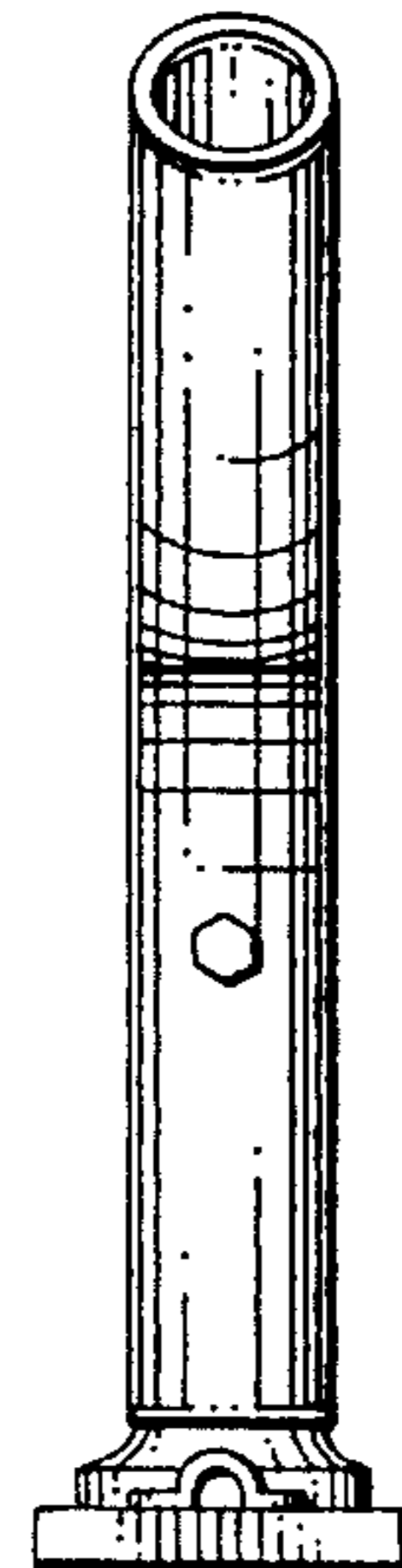


FIG. 11

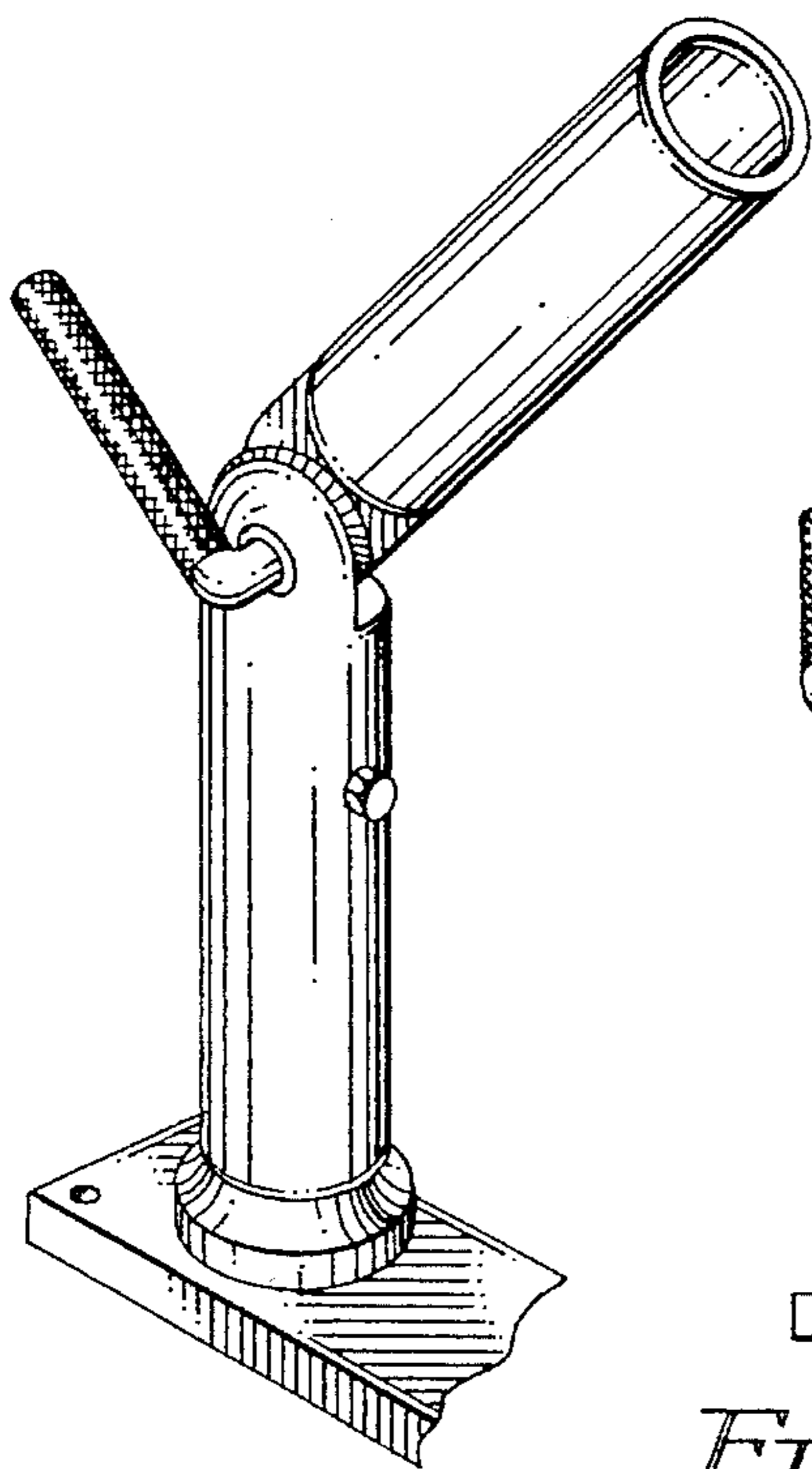


FIG. 12

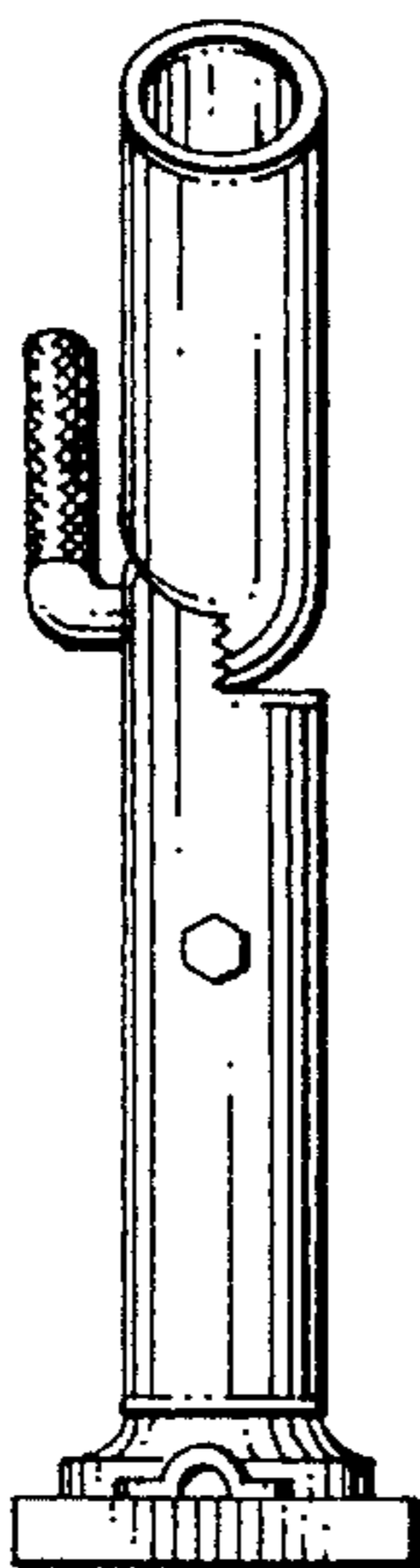


FIG. 14

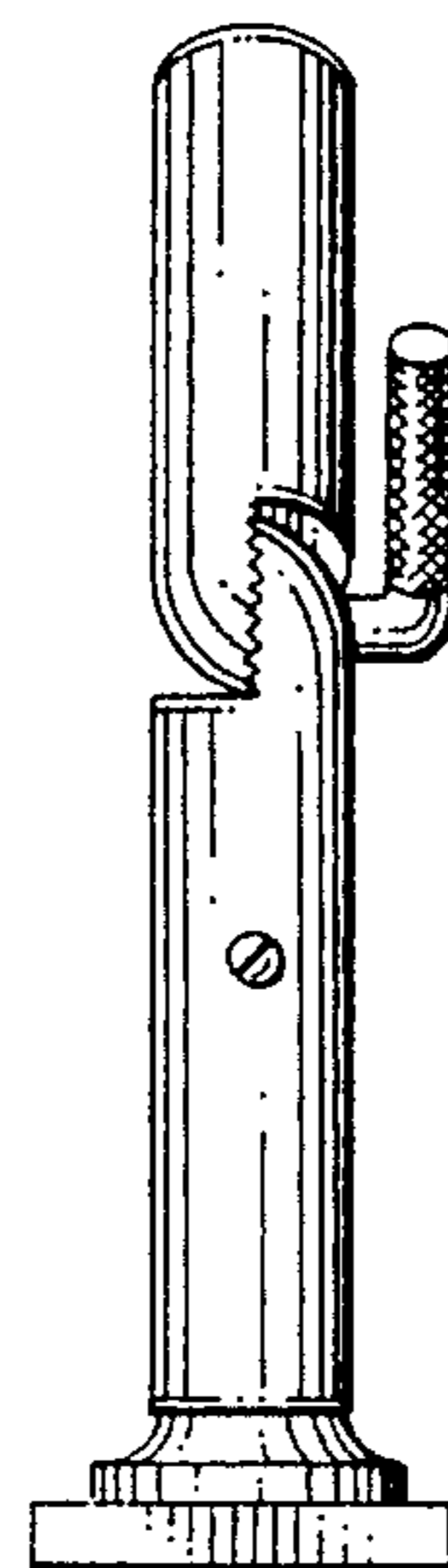


FIG. 15

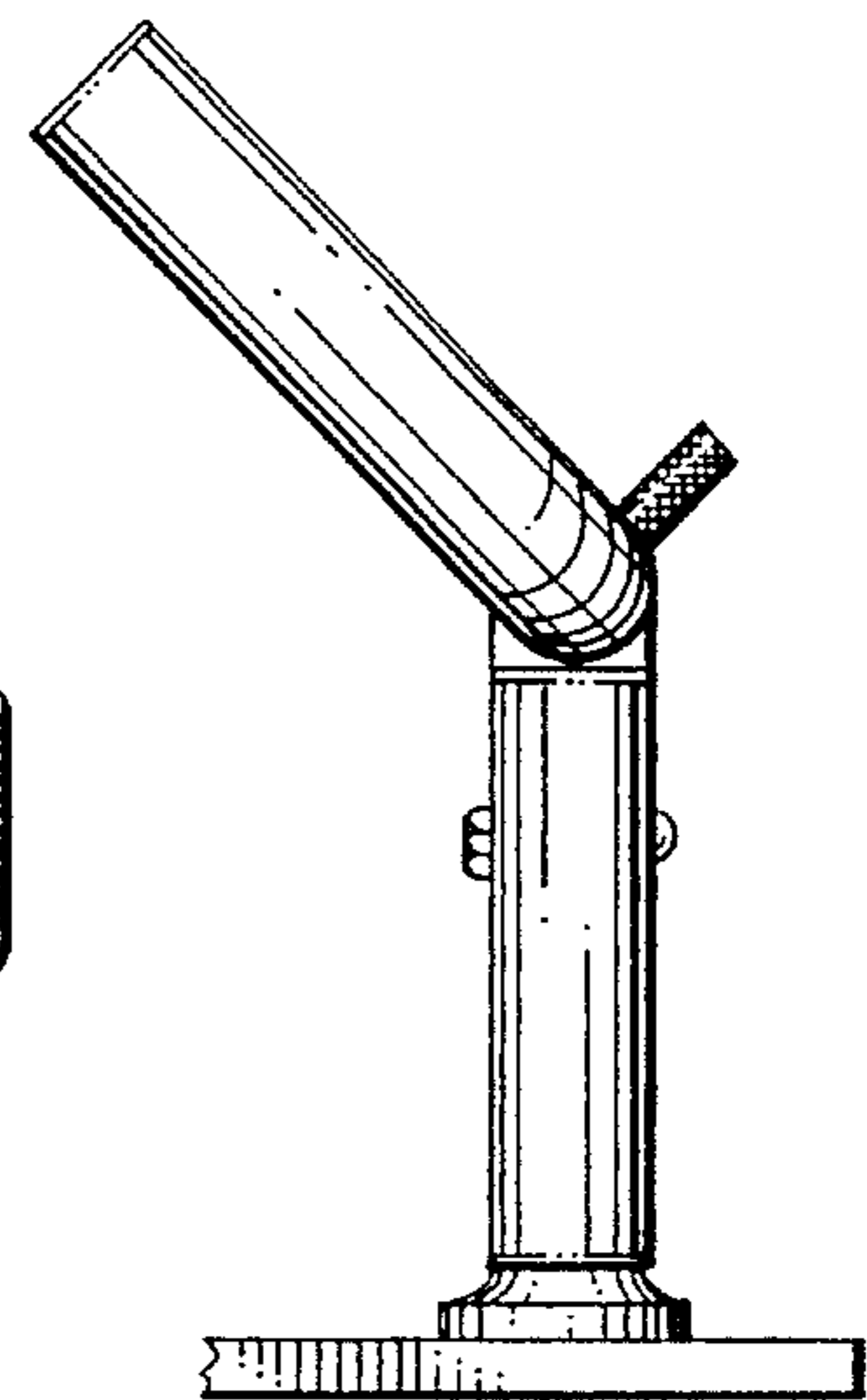


FIG. 13

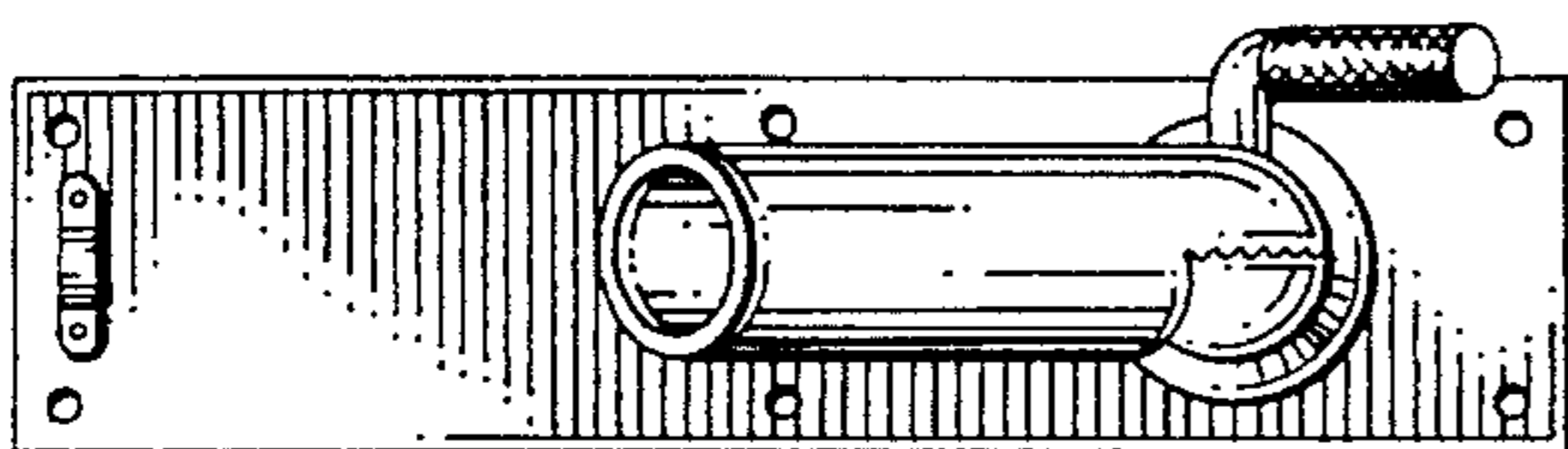


FIG. 16

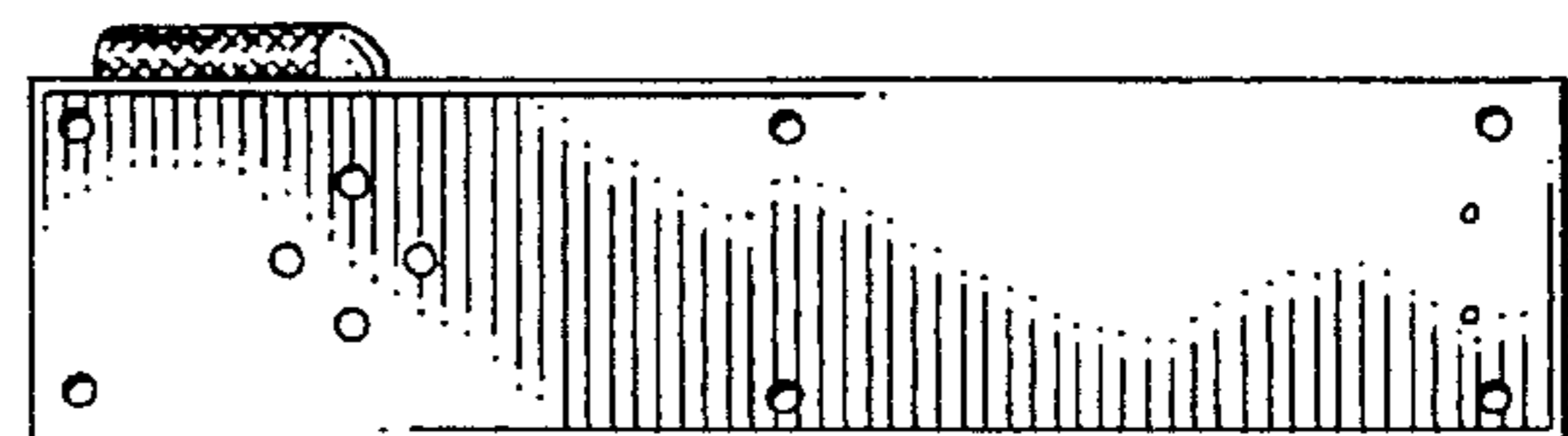


FIG. 17