



US00D371752S

United States Patent [19]

[11] Patent Number: **Des. 371,752**

Stemporzewski, Jr.

[45] Date of Patent: ****Jul. 16, 1996**

[54] **WARNING INDICATOR PANEL FOR FUEL TANKERS**

D. 334,542	4/1993	Lowe et al.	D10/104
D. 337,732	7/1993	Cormack	D10/104
D. 344,243	2/1994	Periano et al.	D10/104
D. 346,127	4/1994	Fisher	D10/114

[75] Inventor: **Frank V. Stemporzewski, Jr.**, Salem, N.H.

Primary Examiner—Marcus A. Jackson
Attorney, Agent, or Firm—Bookstein & Kudirka

[73] Assignee: **Scully Signal Company**, Wilmington, Mass.

[57] **CLAIM**

[**] Term: **14 Years**

The ornamental design for a warning indicator panel for fuel tankers, as shown and described.

[21] Appl. No.: **29,019**

DESCRIPTION

[22] Filed: **Sep. 27, 1994**

[52] U.S. Cl. **D10/104**

[58] Field of Search D10/104, 106, D10/116, 114, 121; 340/425.5, 426, 429, 431, 435, 436, 438, 440, 449, 450, 463, 471

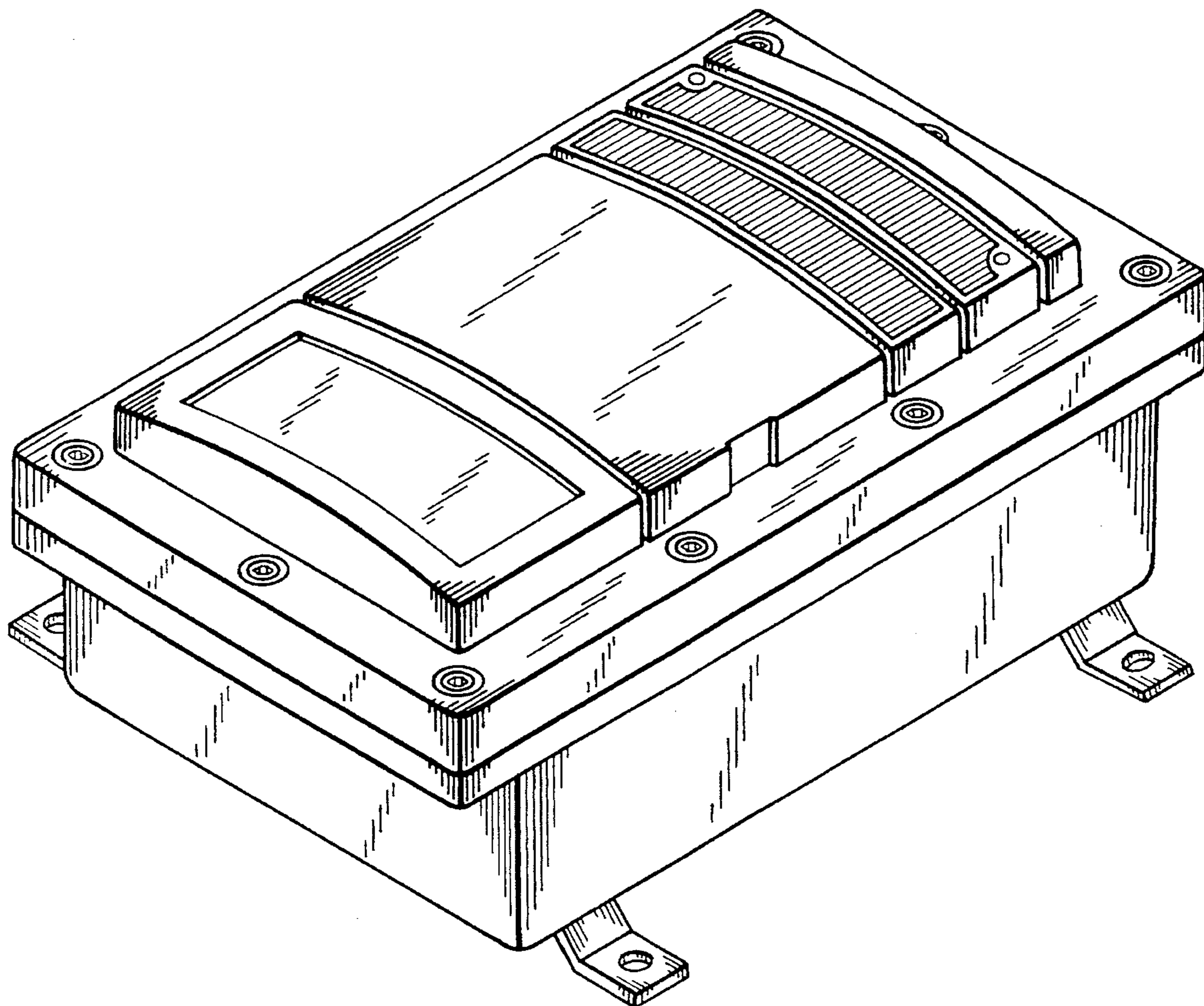
FIG. 1 is an isometric view from the front of an warning indicator panel for fuel tankers incorporating my design; FIG. 2 is a top plan view thereof; FIG. 3 is a left-side view thereof; FIG. 4 is a right-side view thereof; FIG. 5 is a front view thereof; FIG. 6 is a back view thereof; and, FIG. 7 is a bottom view thereof.

[56] **References Cited**

U.S. PATENT DOCUMENTS

D. 274,707 7/1984 French D10/104

1 Claim, 4 Drawing Sheets



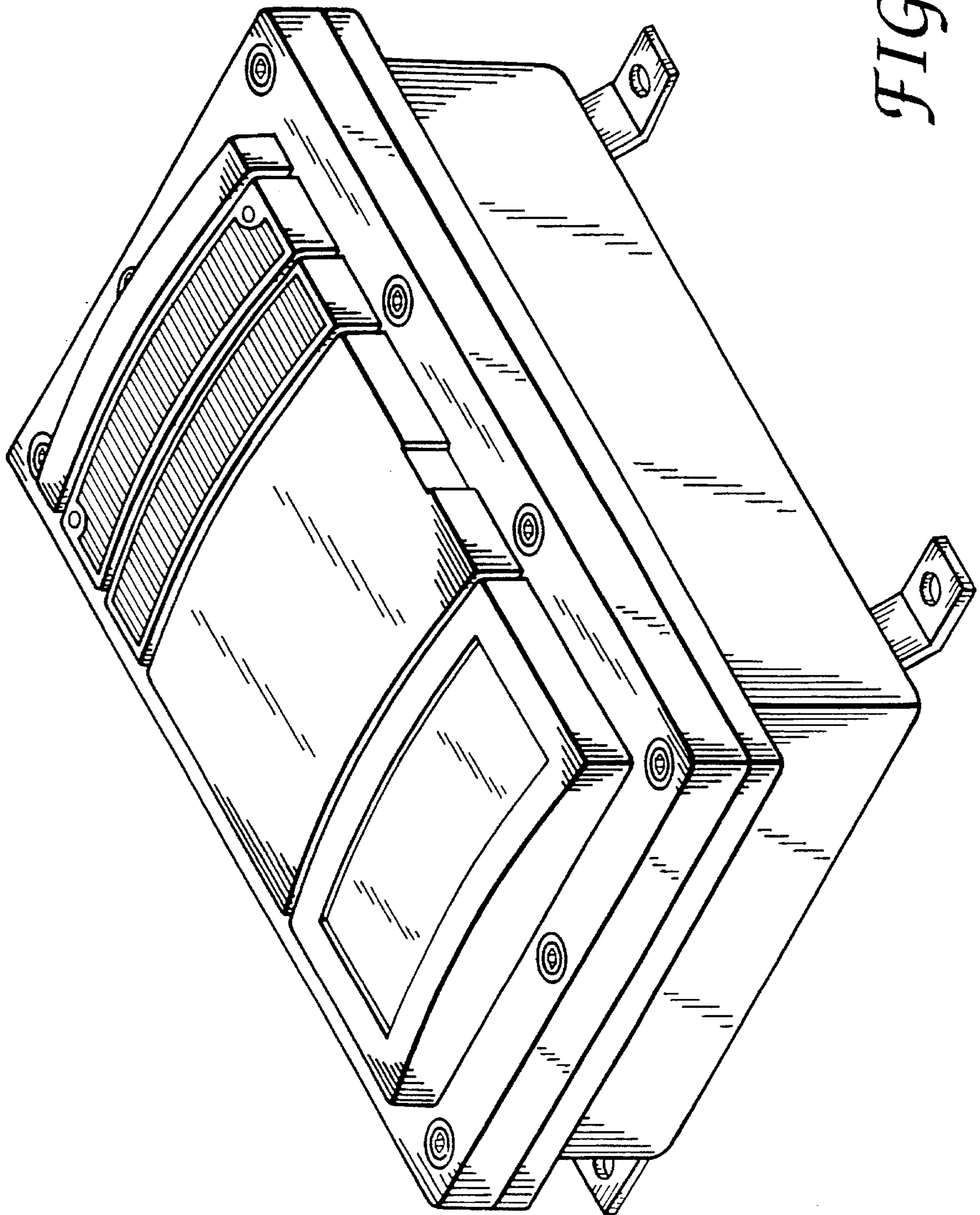


FIG. 1

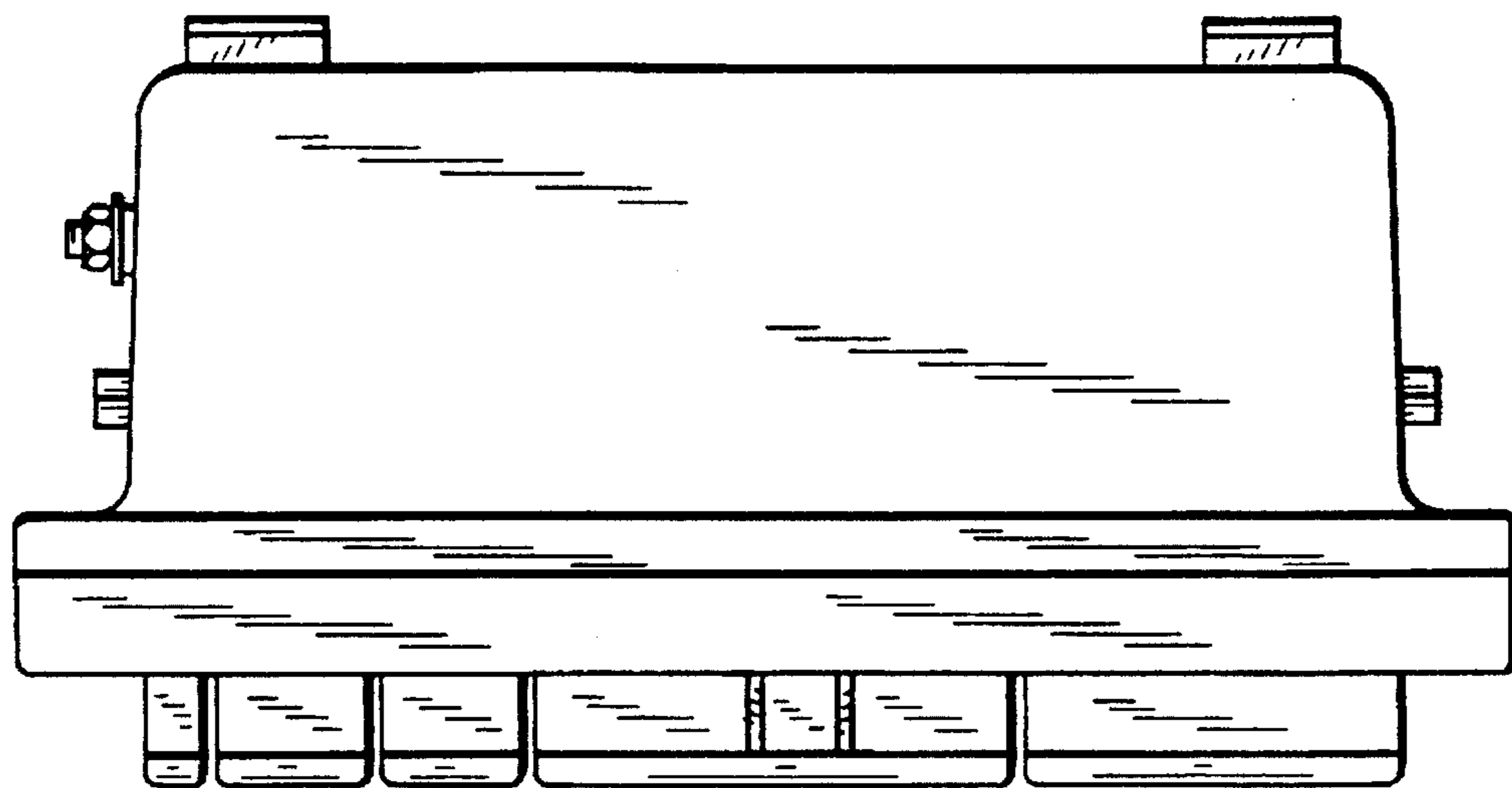


FIG. 2

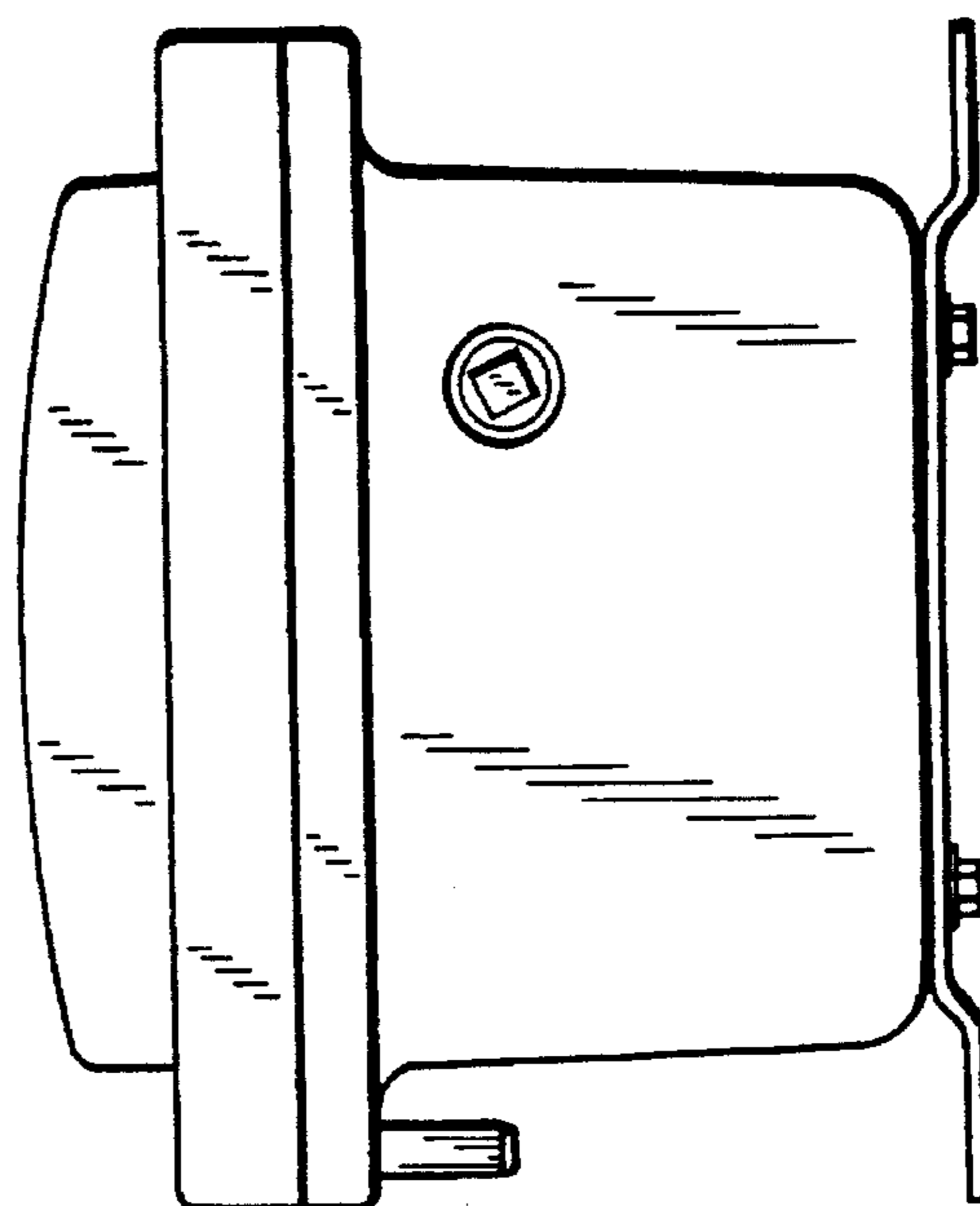


FIG. 3

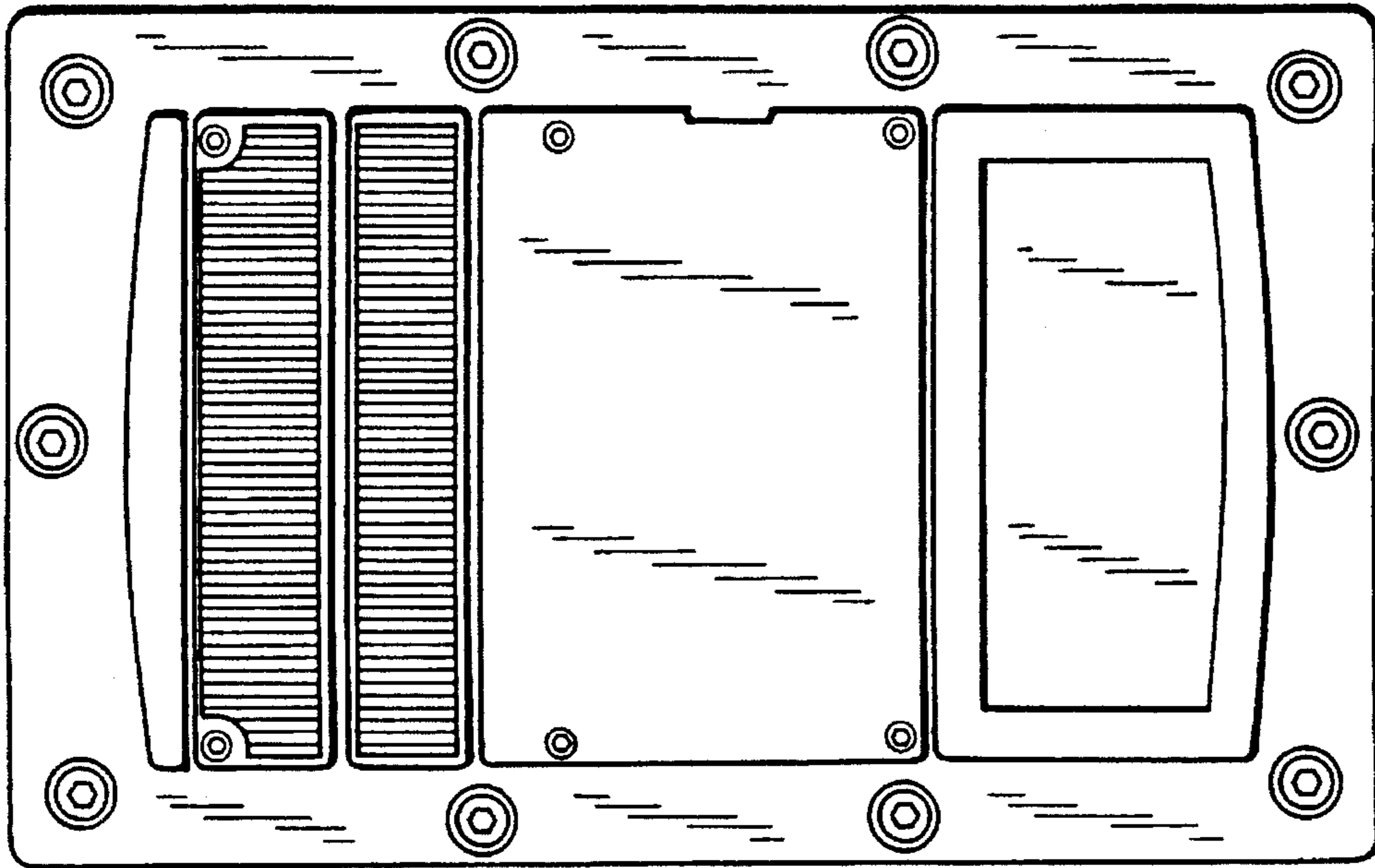


FIG. 5

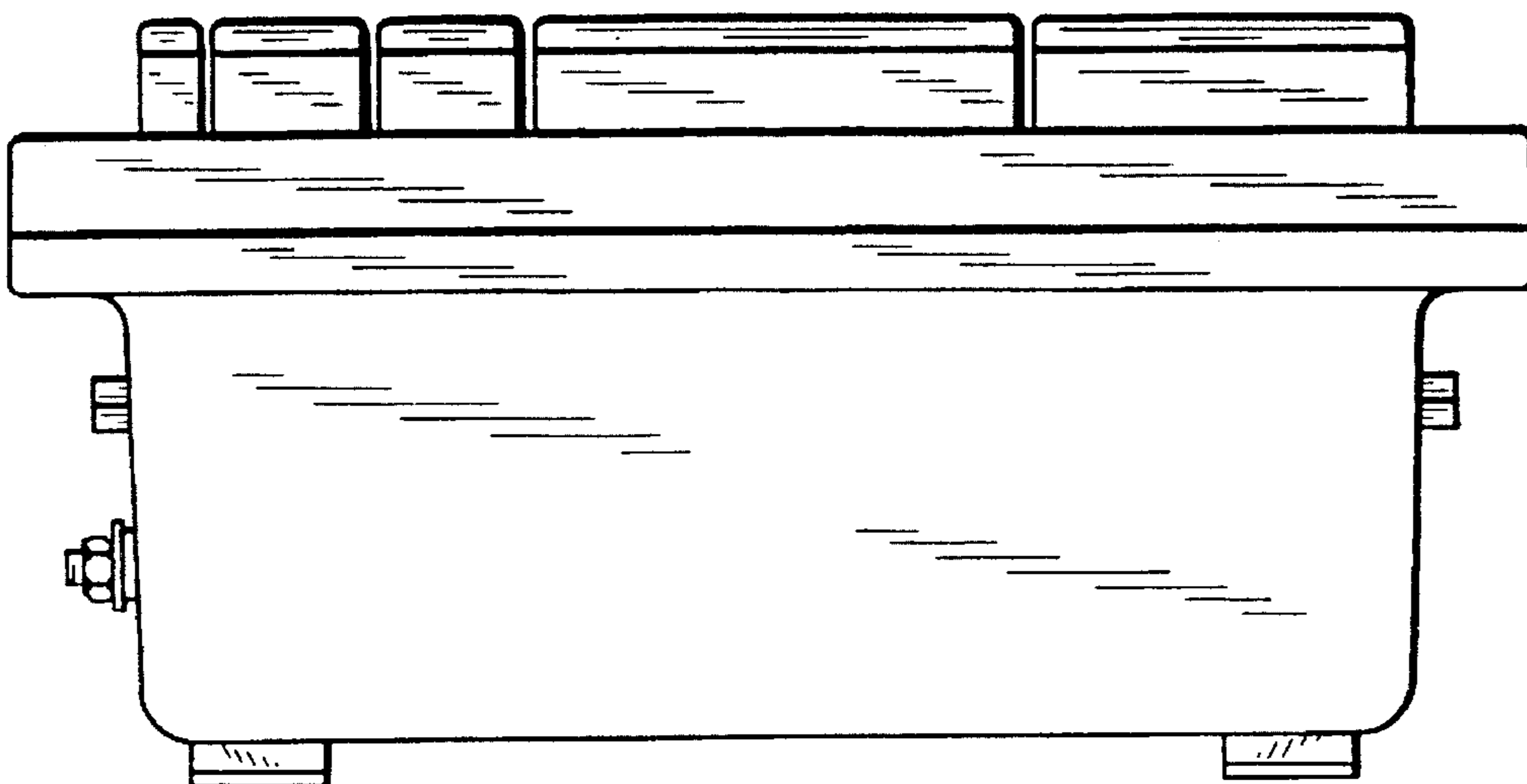


FIG. 4

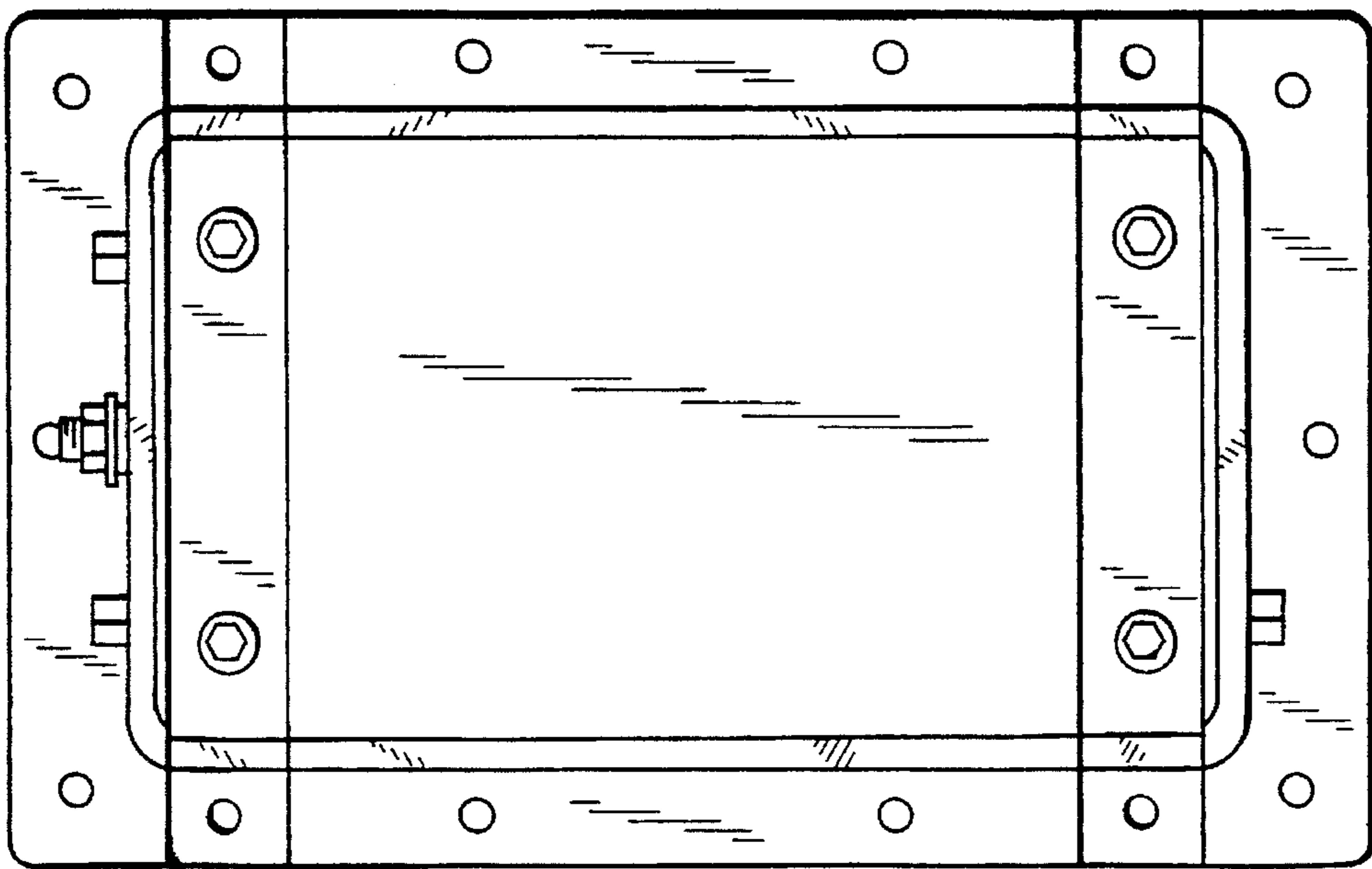


FIG. 6

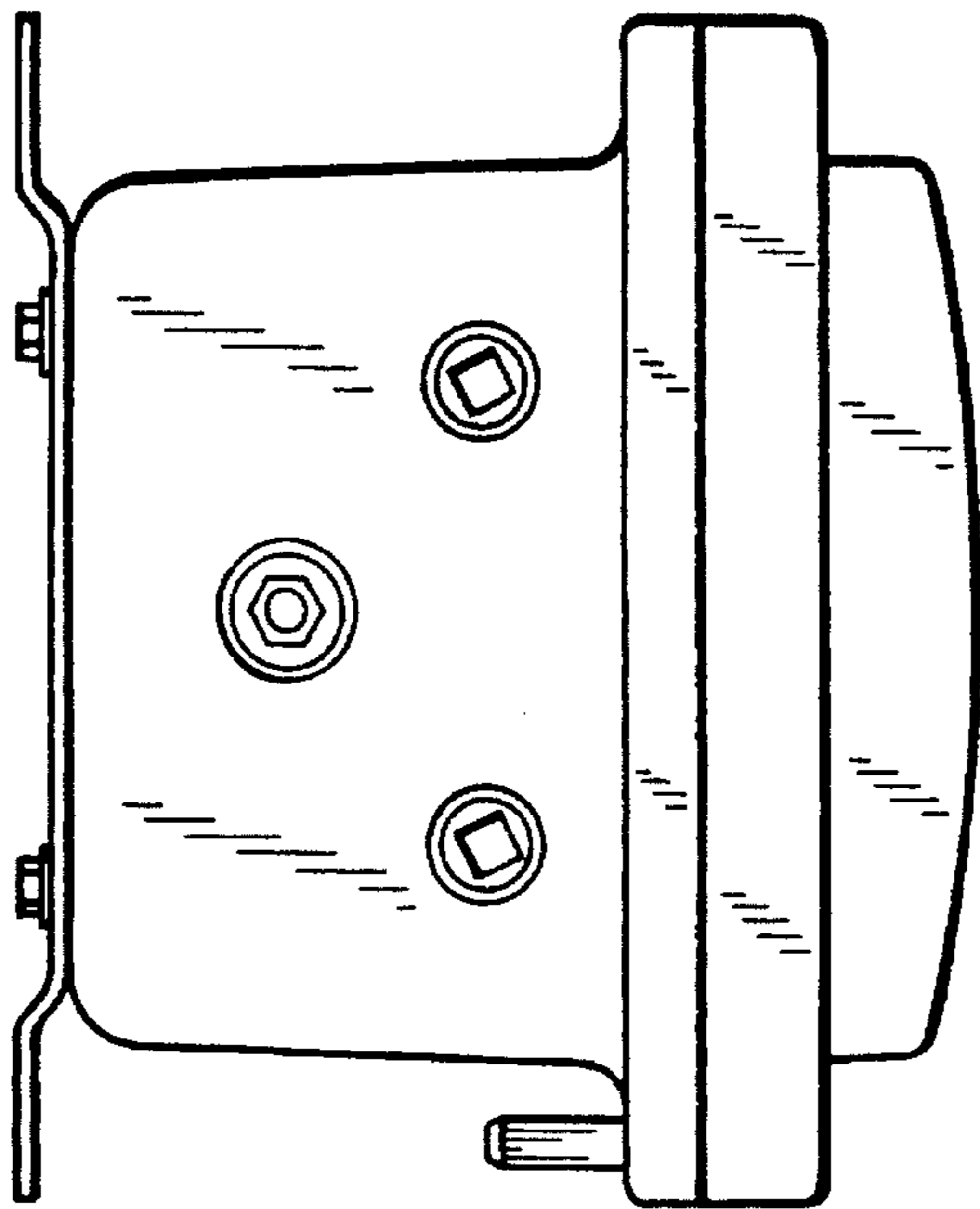


FIG. 7