



US00D371750S

**United States Patent** [19]  
**Sewell**

[11] **Patent Number: Des. 371,750**  
[45] **Date of Patent: \*\*Jul. 16, 1996**

[54] **GAS SENSOR**

5,444,249 8/1995 Wong ..... 250/339.13 X  
5,451,787 9/1995 Taylor ..... 250/339.13 X  
5,475,223 12/1995 Carter, III ..... 250/339.13

[75] Inventor: **Peter J. Sewell**, Whitehall Borden,  
United Kingdom

[73] Assignee: **City Technology Limited**, Portsmouth,  
United Kingdom

[\*\*] Term: **14 Years**

*Primary Examiner*—Antoine Duval Davis  
*Attorney, Agent, or Firm*—Lee, Mann, Smith, McWilliams,  
Sweeney & Ohlson

[21] Appl. No.: **38,080**

[57] **CLAIM**

The ornamental design for a gas sensor, as shown.

[22] Filed: **Apr. 28, 1995**

**DESCRIPTION**

[52] U.S. Cl. .... **D10/96; D10/81**

[58] Field of Search ..... D10/46, 96; 250/339.07,  
250/339.13, 343, 345, 578; 356/51, 323

FIG. 1 is a front perspective view from above and one side;  
FIG. 2 is a rear view;  
FIG. 3 is a view from the other side; and,  
FIG. 4 is an underneath plan view.

[56] **References Cited**

**U.S. PATENT DOCUMENTS**

5,261,415 11/1993 Dussault ..... 250/339.13 X

**1 Claim, 2 Drawing Sheets**

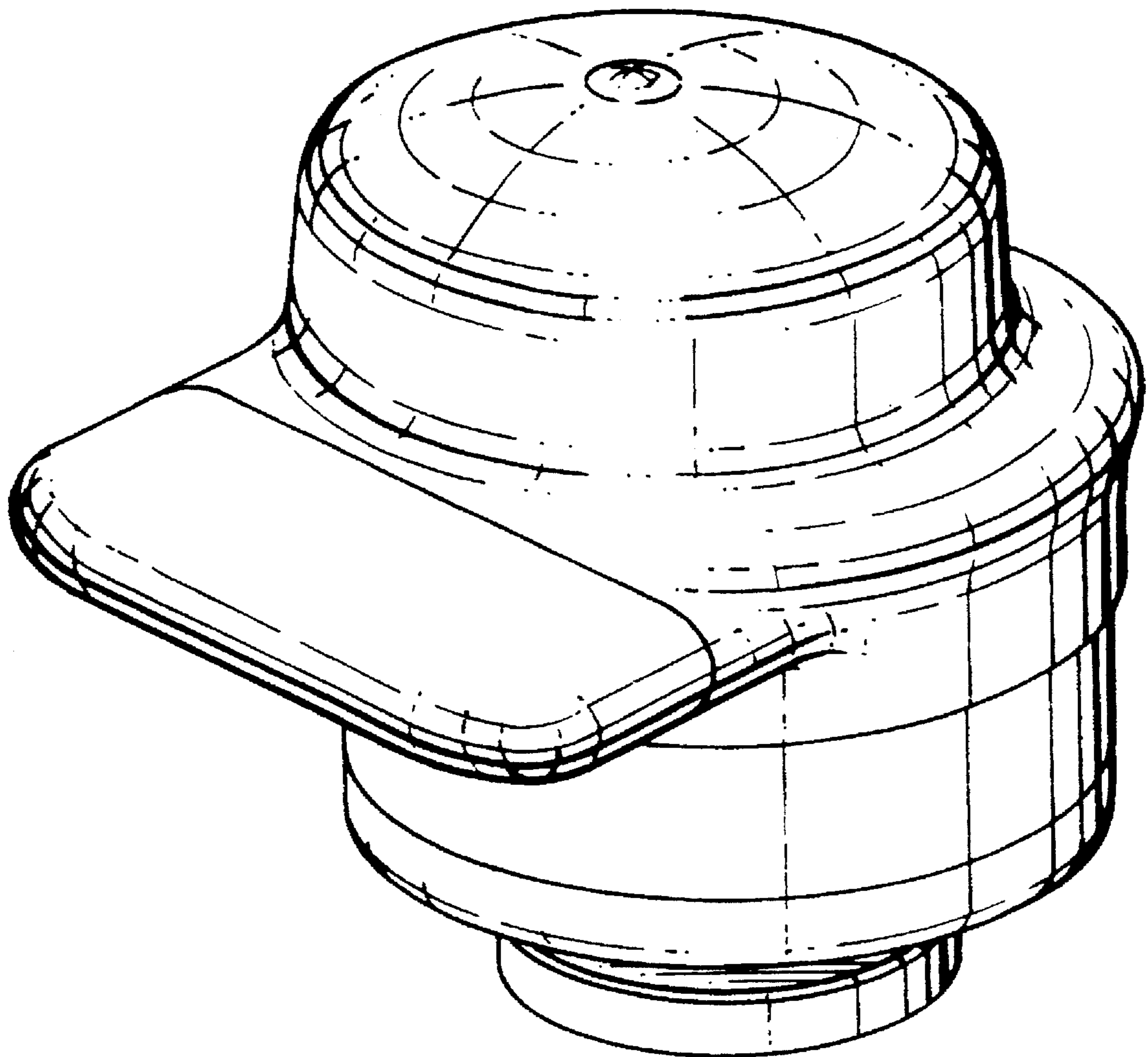


Fig.1.

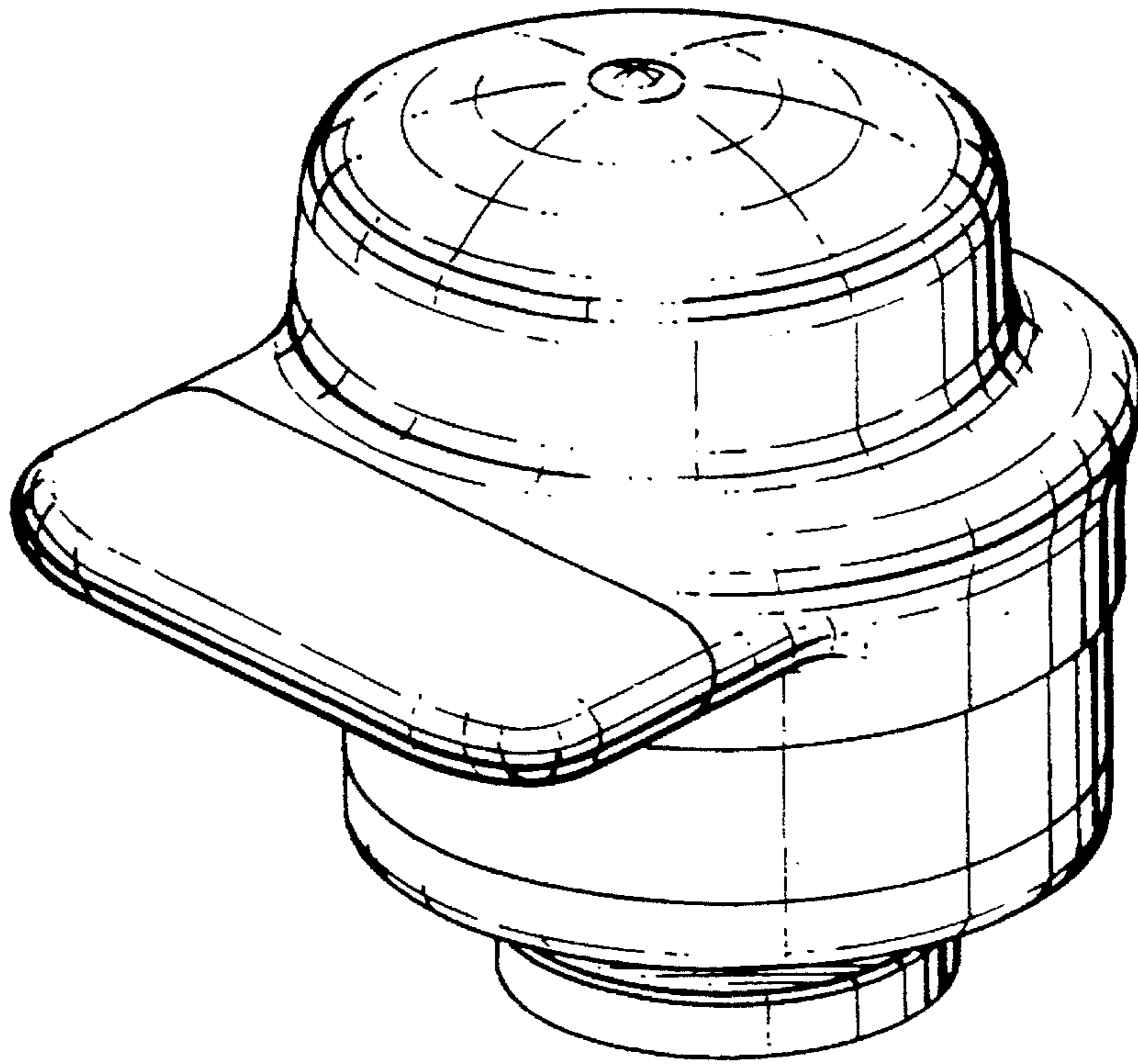


Fig.2.

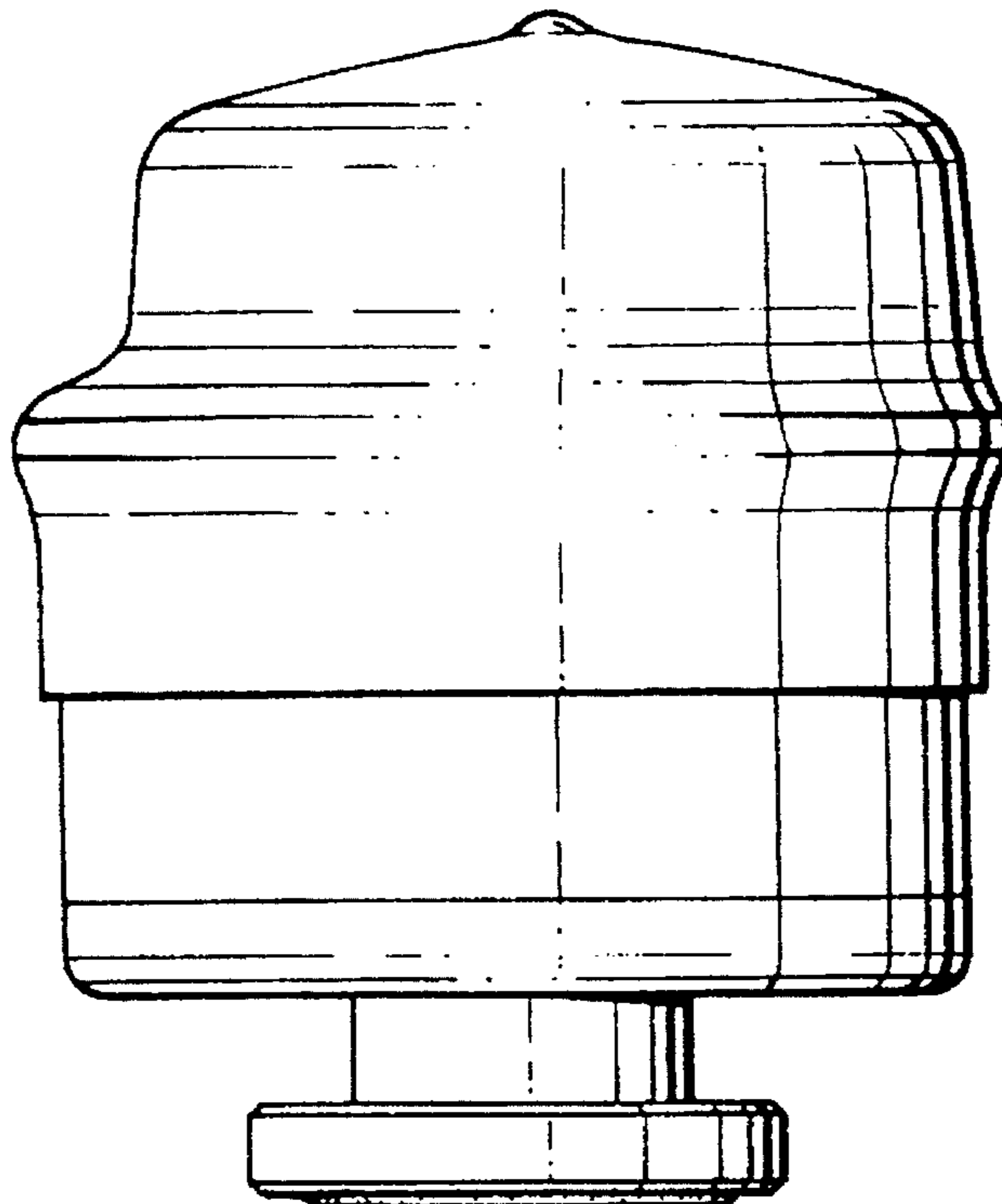


Fig.3.

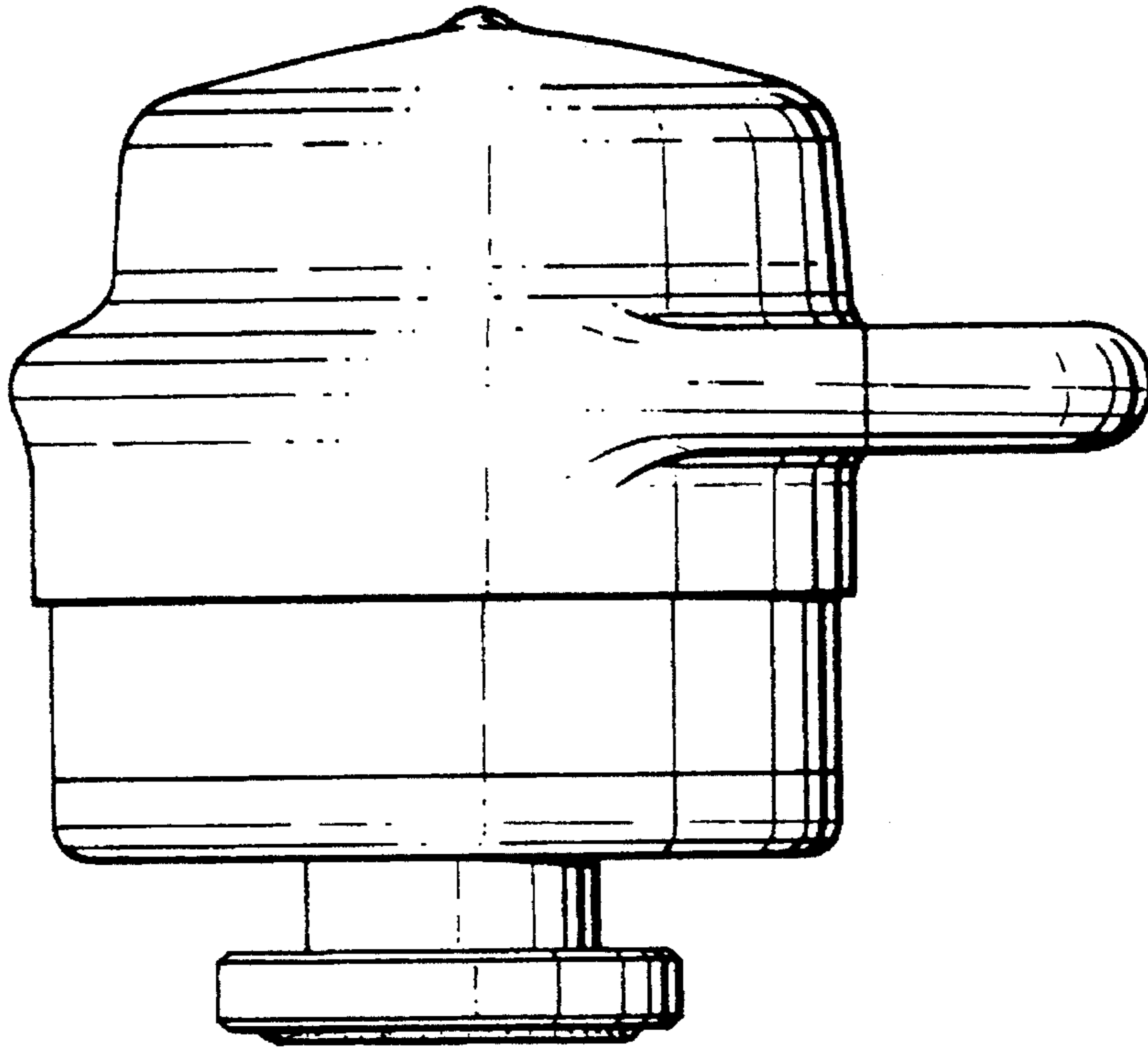


Fig.4.

