



US00D371749S

United States Patent [19]
D'Orazio et al.

[11] **Patent Number: Des. 371,749**
[45] **Date of Patent: **Jul. 16, 1996**

[54] **SOLID STATE PLANAR SENSOR**

5,478,460 12/1995 Sugama et al. 204/403 X

[75] Inventors: **Paul A. D'Orazio**, Mendon; **James E. Flaherty**, Attleboro, both of Mass.

Primary Examiner—Antoine Duval Davis
Attorney, Agent, or Firm—Judith A. Roesler; Arthur S. Morgenstern

[73] Assignee: **Ciba Corning Diagnostics Corp.**, Medfield, Mass.

[57] **CLAIM**

[**] Term: **14 Years**

The ornamental design for a solid state planar sensor, as shown and described.

[21] Appl. No.: **41,608**

DESCRIPTION

[22] Filed: **Jul. 19, 1995**

Related U.S. Application Data

FIG. 1 is a perspective view of a solid state planar sensor showing our new design;

[63] Continuation-in-part of Ser. No. 25,127, Jun. 27, 1994, Pat. No. Des. 367,014.

FIG. 2 is a top plan view;

[52] U.S. Cl. **D10/81**

FIG. 3 is a bottom plan view;

[58] Field of Search D10/46, 81; 204/400-427; 427/286

FIG. 4 is a side view, the opposite side view being a mirror image thereof;

FIG. 5 is a front view;

FIG. 6 is a rear view; and,

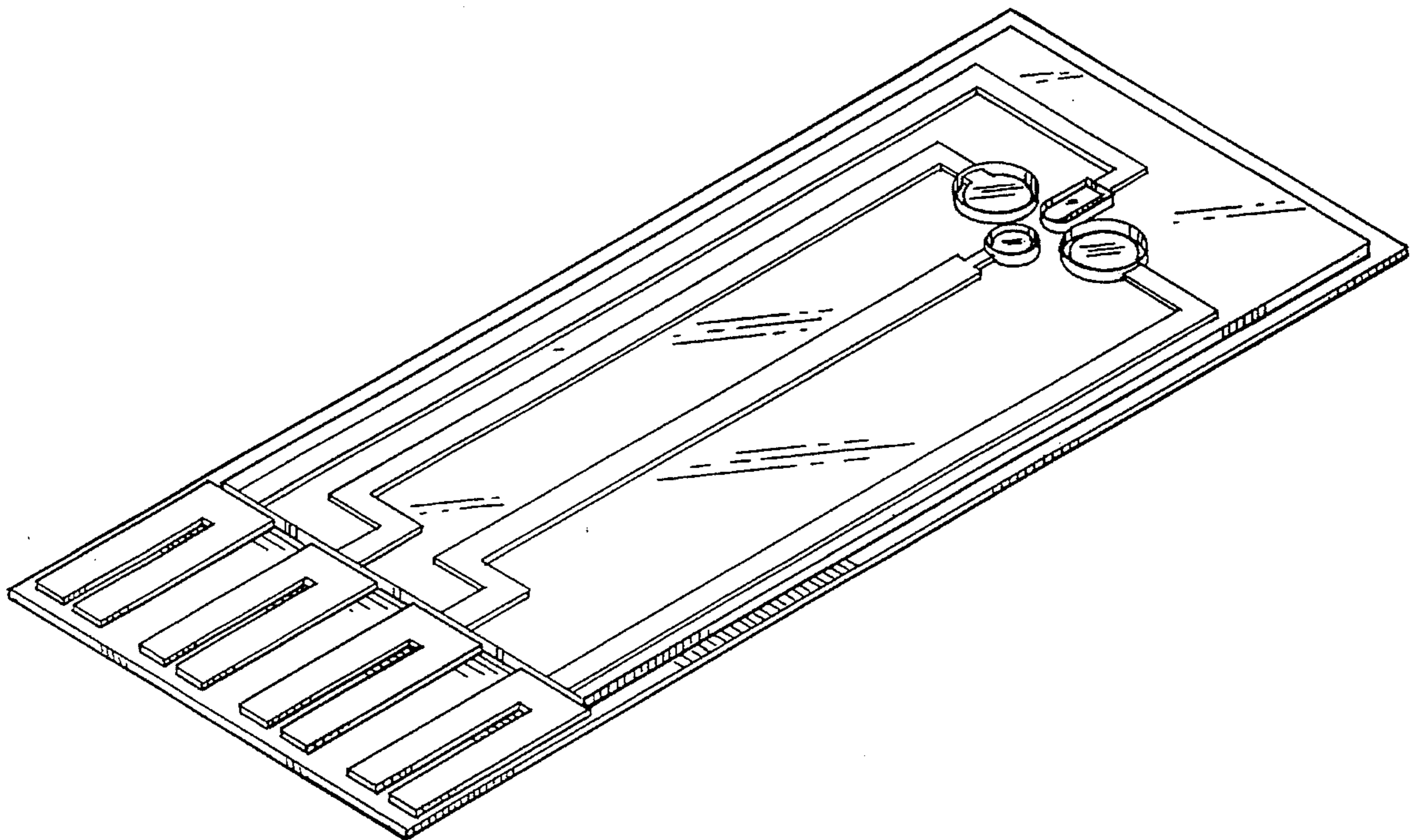
FIG. 7 is a sectional view taken along line I—I of FIG. 2.

[56] **References Cited**

U.S. PATENT DOCUMENTS

5,384,030 1/1995 Duce et al. 204/400 X

1 Claim, 3 Drawing Sheets



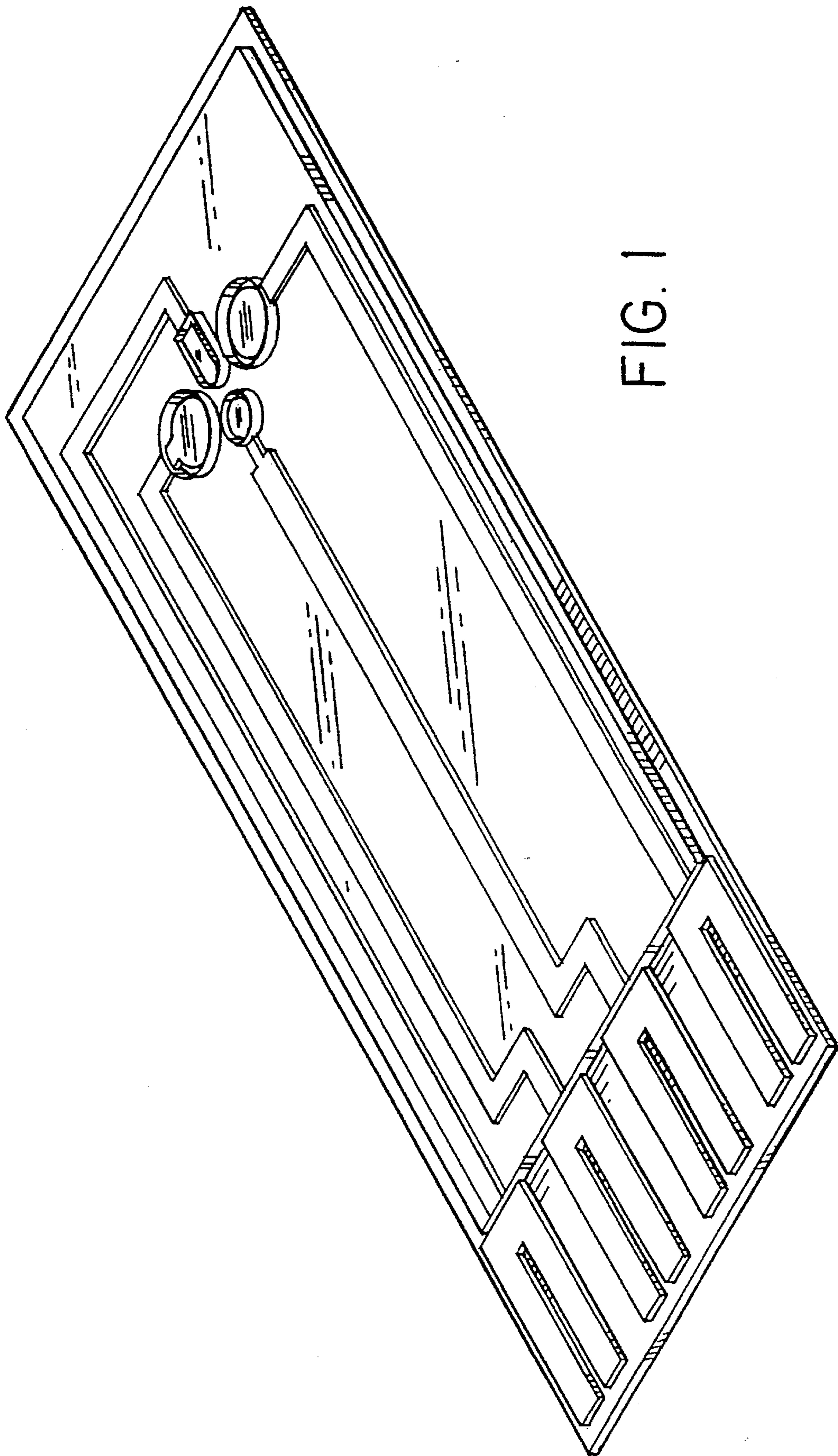


FIG. 1

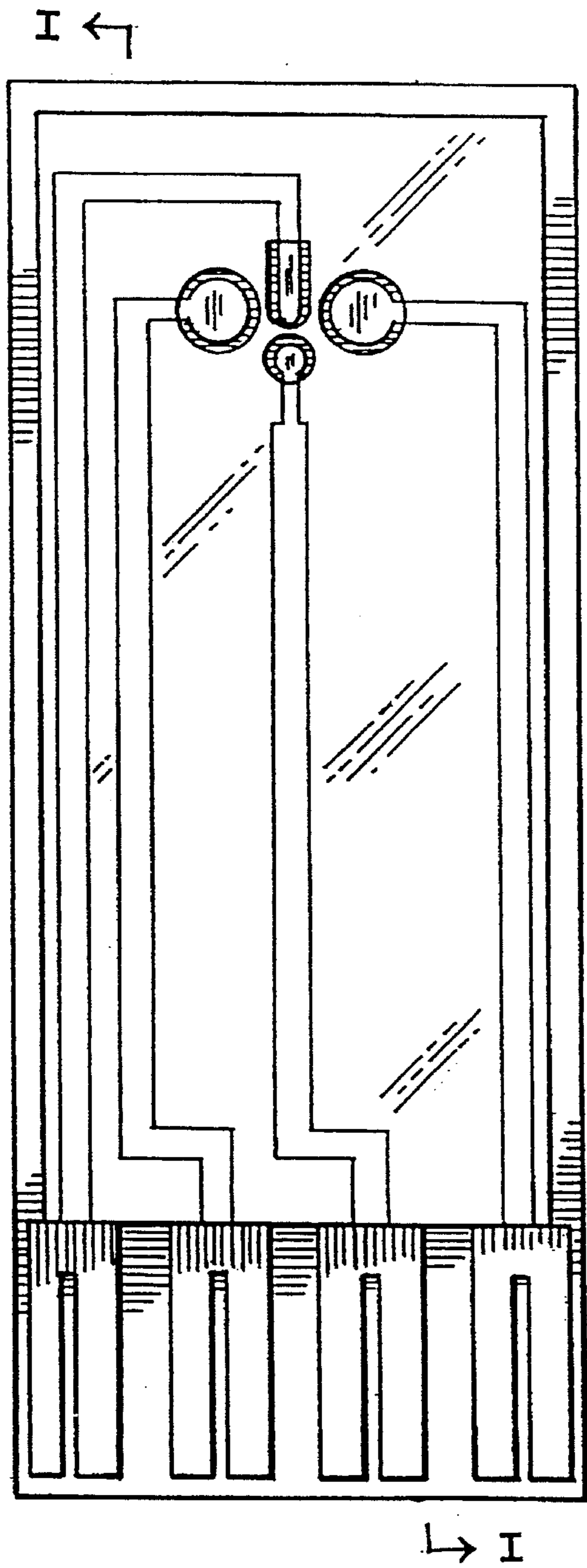


FIG. 2

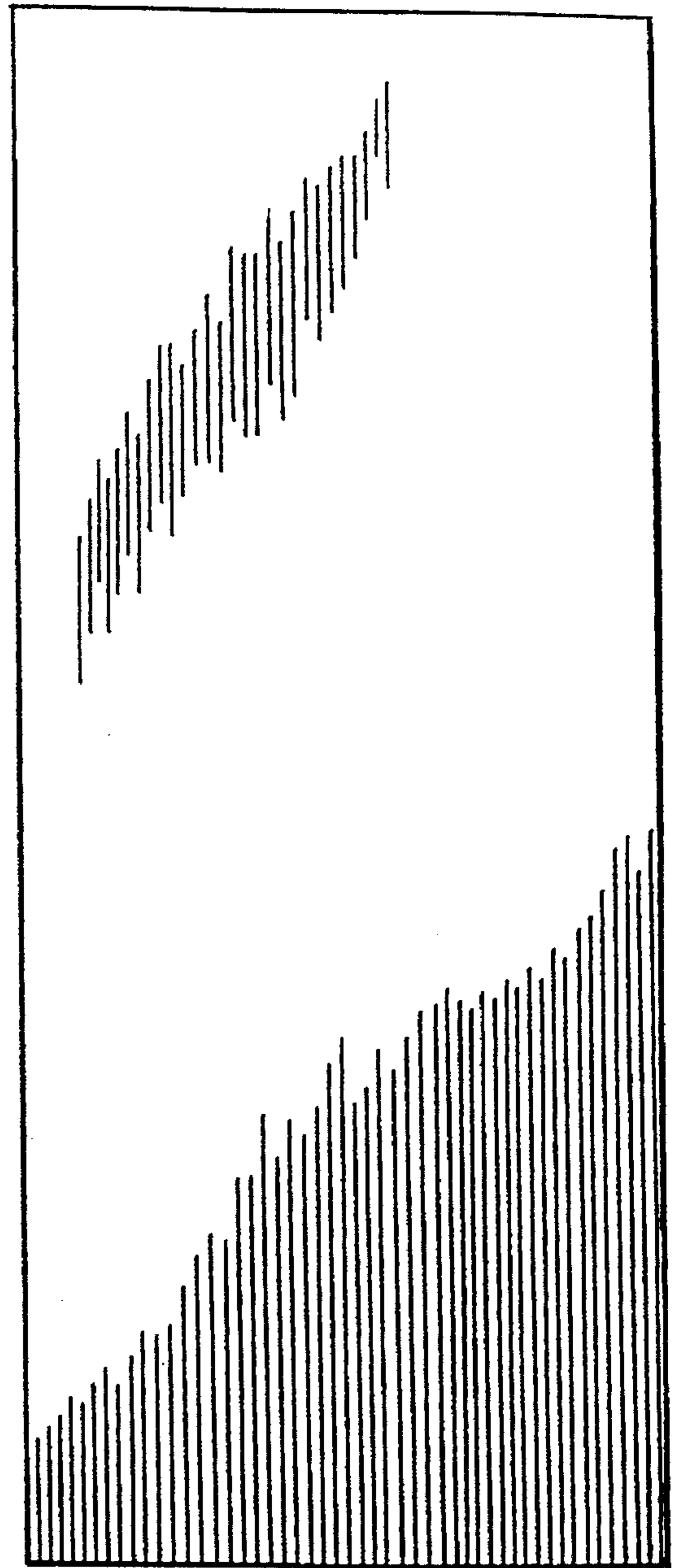


FIG. 3



FIG. 4

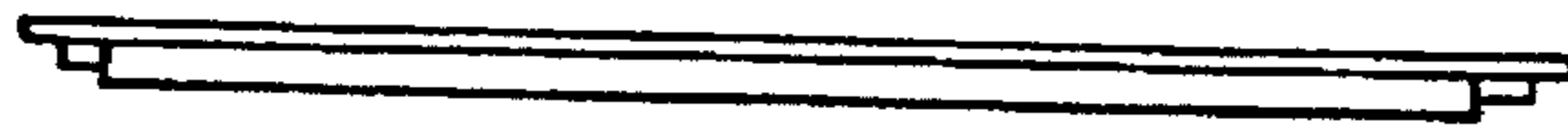


FIG. 5



FIG. 6



FIG. 7