



US00D371748S

United States Patent [19]
Narayanan

[11] **Patent Number: Des. 371,748**

[45] **Date of Patent: **Jul. 16, 1996**

[54] **BENCH TOP LIQUID TEST METER**

Attorney, Agent, or Firm—Fitch, Even, Tabin & Flannery

[75] Inventor: **Bhaskar Narayanan**, Singapore,
Singapore

[57] **CLAIM**

The ornamental design for a bench top liquid test meter, as shown and described.

[73] Assignee: **Eutech Cybernetics Pte. Ltd.**, Ayer
Rajah Crescent, Singapore

DESCRIPTION

[**] Term: **14 Years**

FIG. 1 is a perspective view of a bench top liquid test meter showing my new design, shown in an exploded condition;

[21] Appl. No.: **41,120**

FIG. 2 is a front elevational view thereof;

[22] Filed: **Jul. 6, 1995**

FIG. 3 is a rear elevational view thereof;

[52] **U.S. Cl.** **D10/81**; D14/100

FIG. 4 is a top plan view thereof;

[58] **Field of Search** D10/78, 81; D14/100;
D24/169, 186, 231, 232; D19/60; 731/431;
204/400, 406, 433; 324/156, 158

FIG. 5 is a bottom plan view thereof;

FIG. 6 is a right hand side elevational view thereof;

FIG. 7 is a left hand side elevational view thereof;

[56] **References Cited**

FIG. 8 is a perspective view of a bench top liquid test meter showing a second embodiment of my new design, shown in an exploded condition;

U.S. PATENT DOCUMENTS

D. 289,291	4/1987	Kapper	D14/100
D. 313,793	1/1991	Kato	D14/100
D. 316,549	4/1991	Hampf	D14/100 X
D. 338,452	8/1993	Allegeier	D14/100
D. 354,921	1/1995	Narayanan	.	

FIG. 9 is a front elevational view thereof;

FIG. 10 is a top plan view thereof;

FIG. 11 is a right hand side elevational view thereof; and,

FIG. 12 is a left hand side elevational view thereof.

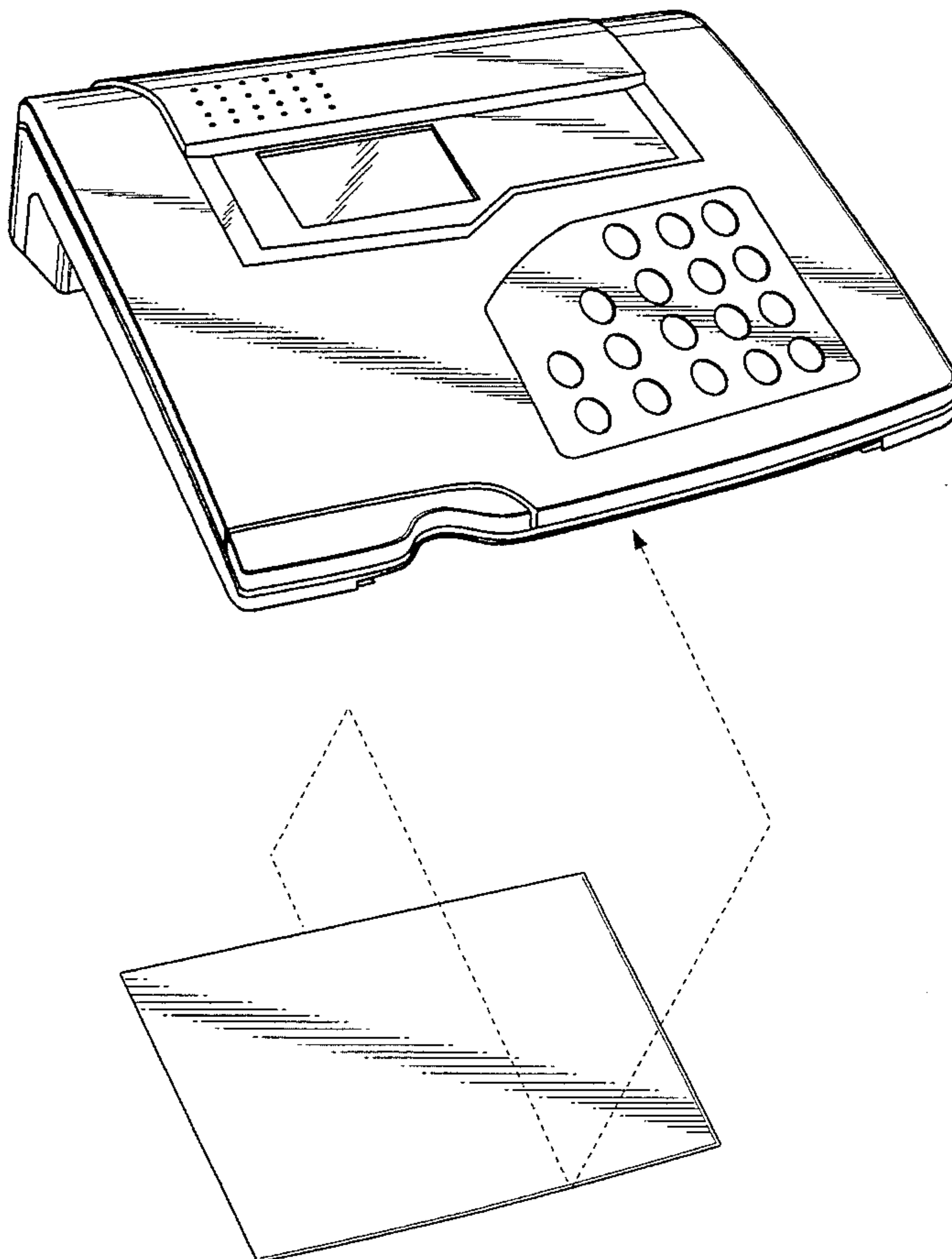
OTHER PUBLICATIONS

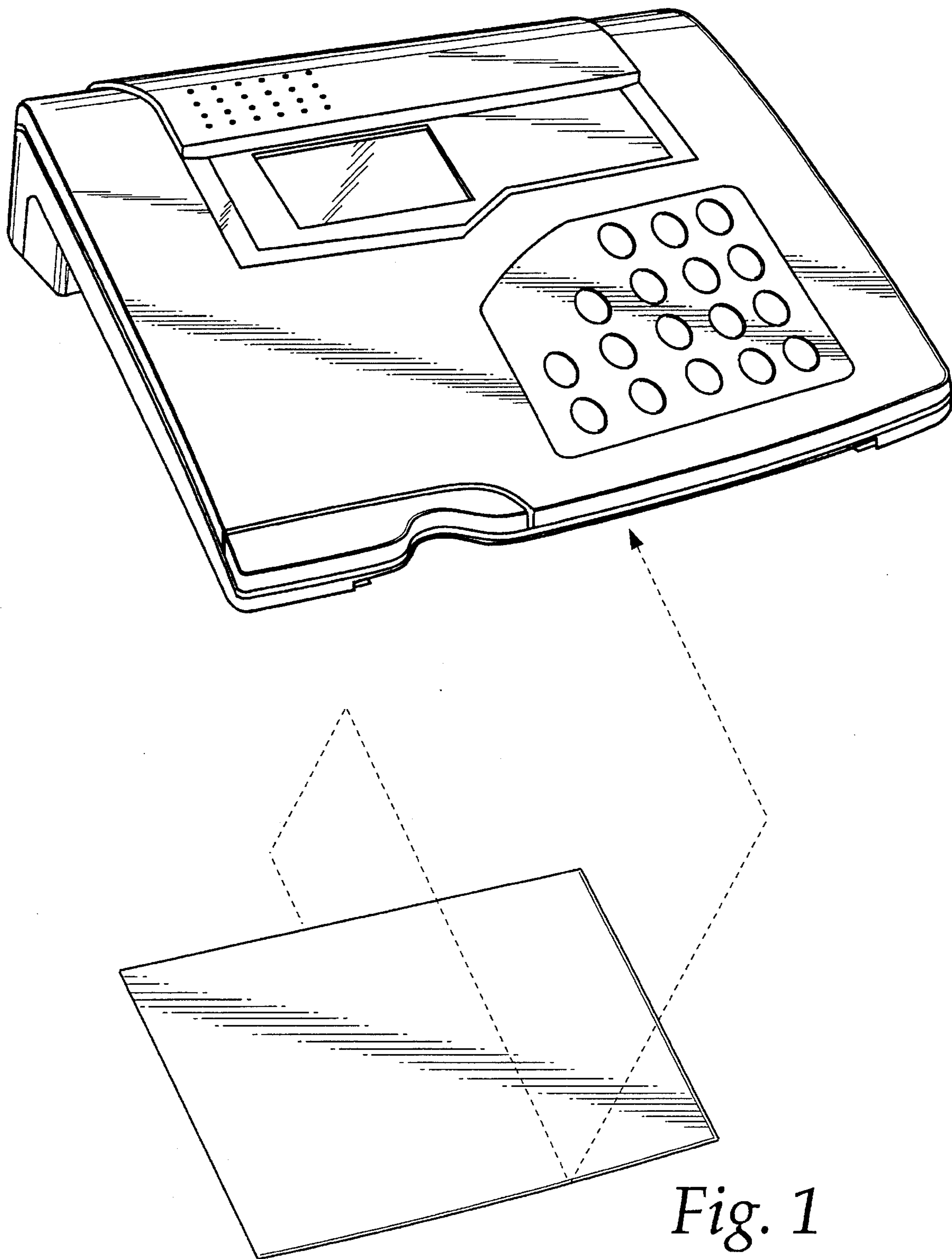
The rear elevational and bottom plan views of the second embodiment of my design are identical to the same views of the first embodiment, as shown in FIGS. 3 and 5.

Cole-Parmer Instrument Company Bi-Annual Product Catalog (1994-95) pp. 777, 847, 853.

Primary Examiner—Antoine Duval Davis

1 Claim, 7 Drawing Sheets





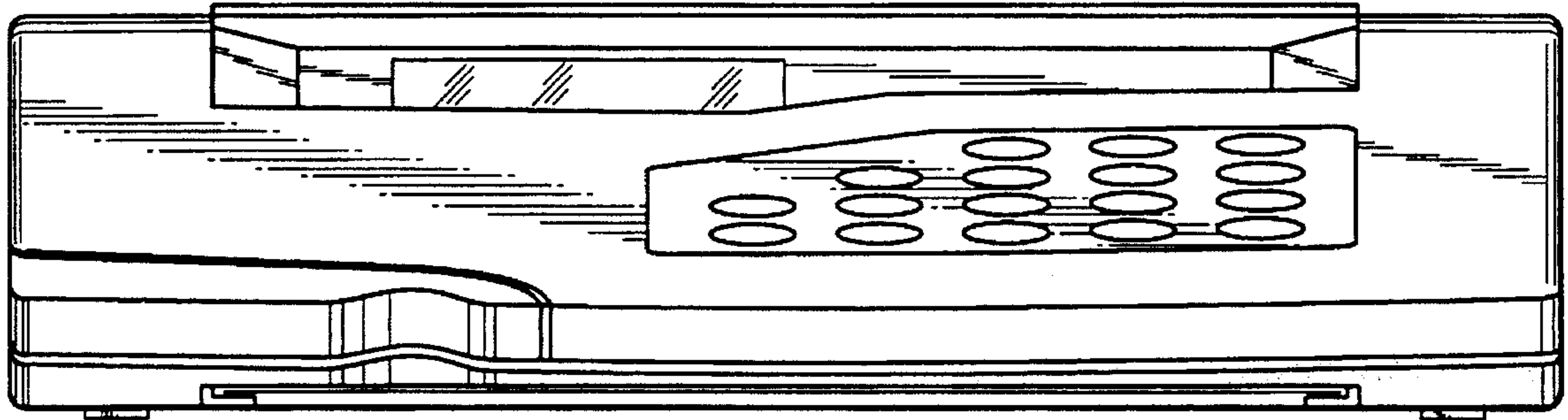


Fig. 2

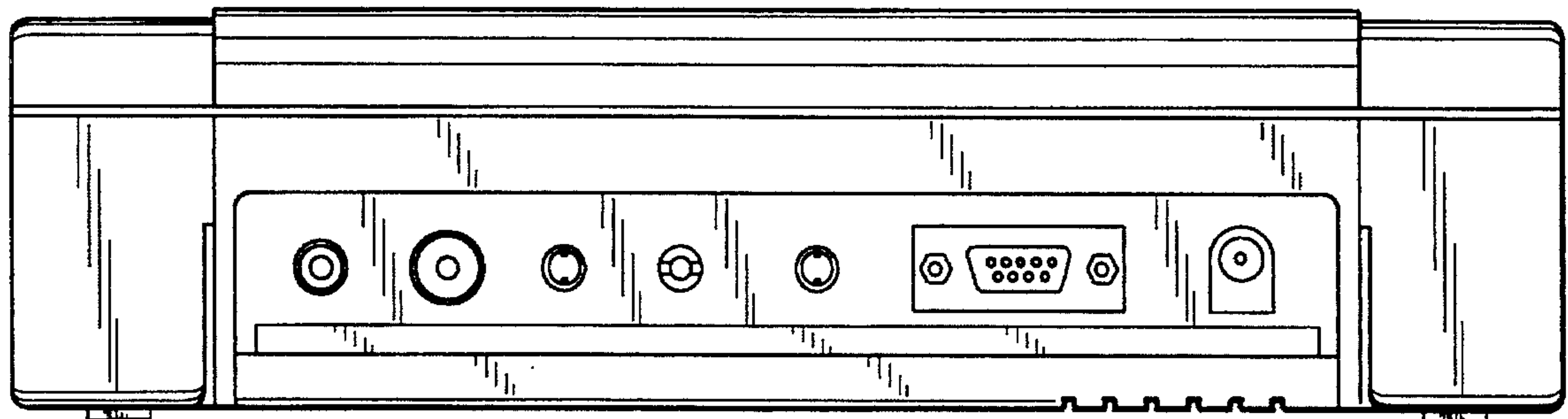


Fig. 3

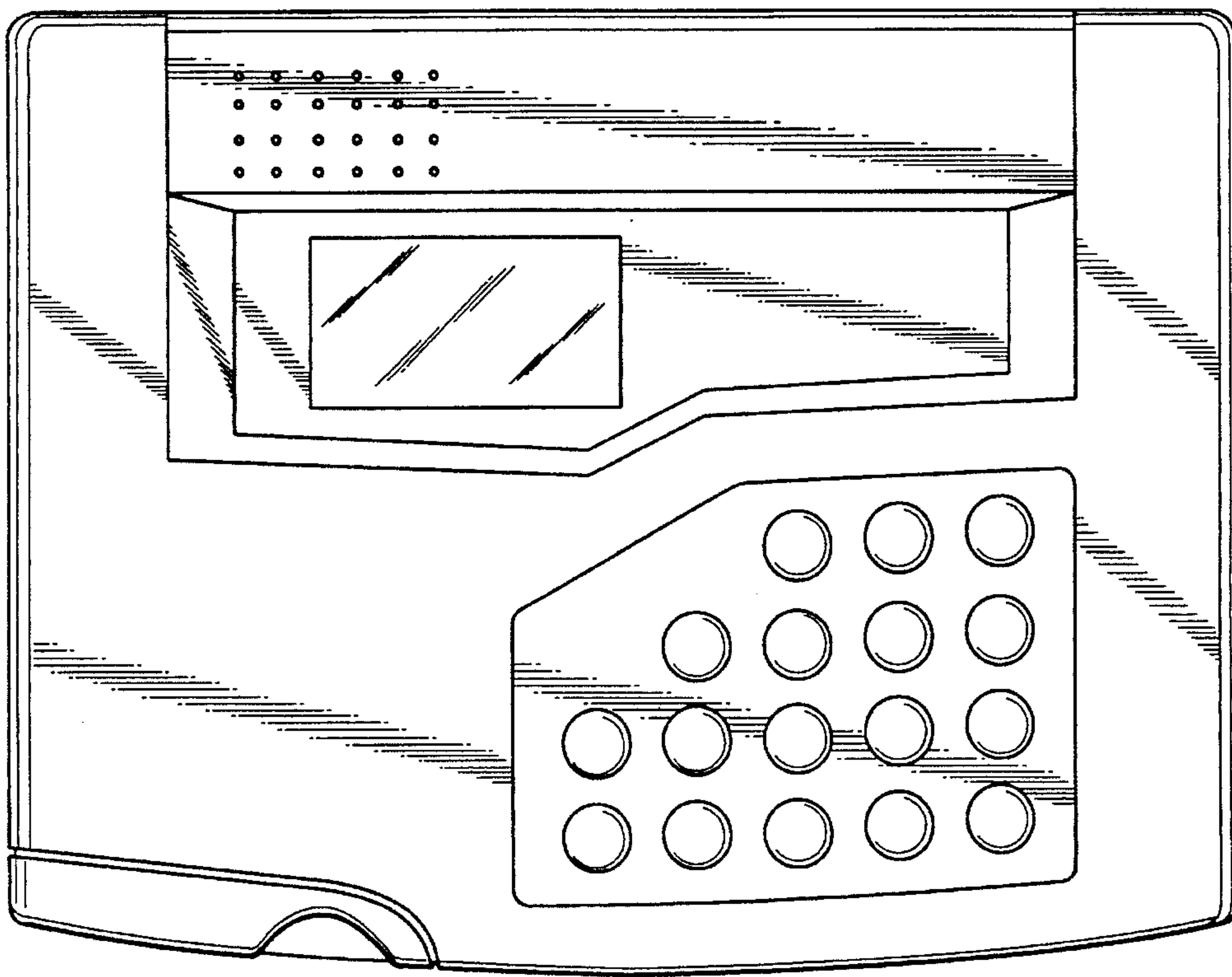


Fig. 4

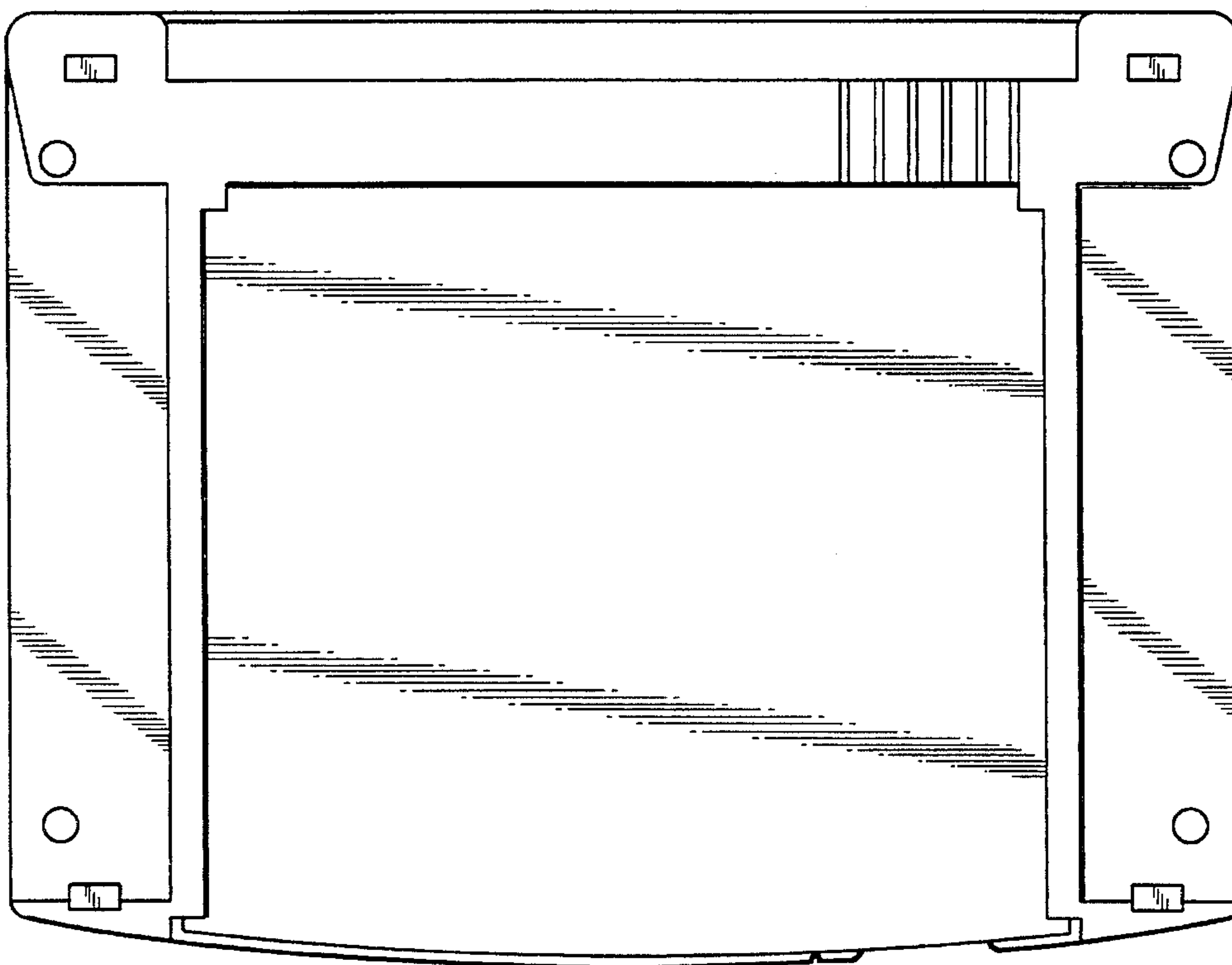


Fig. 5

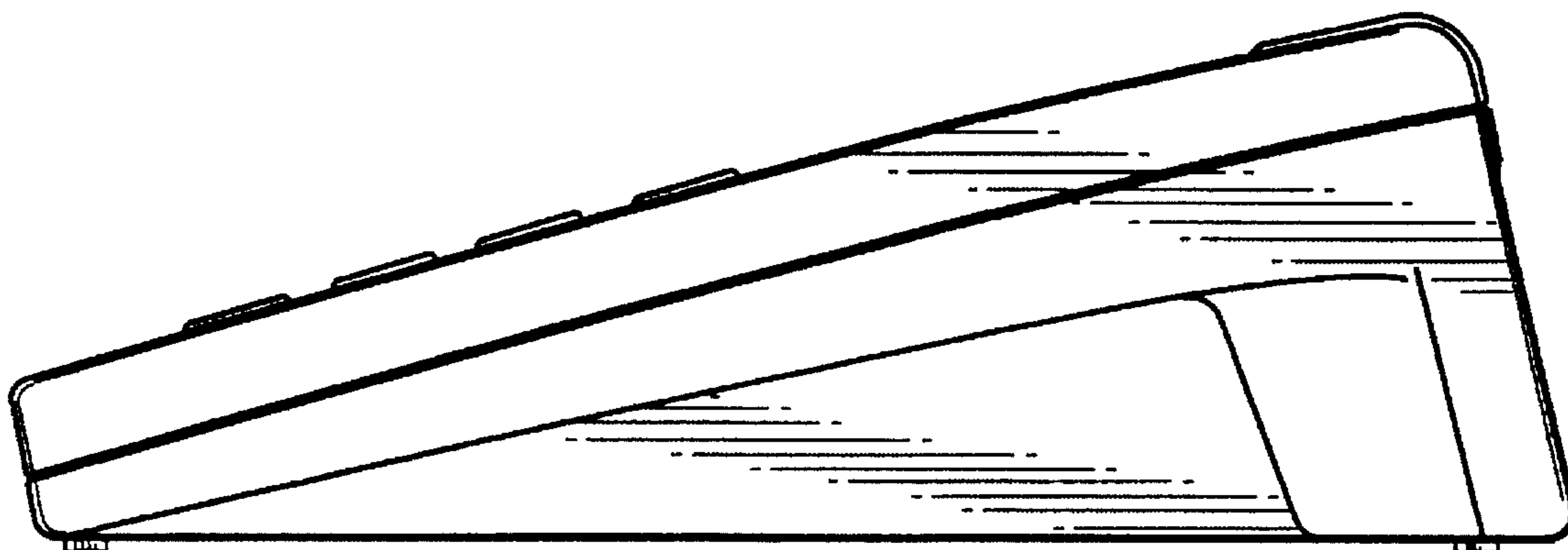


Fig. 6

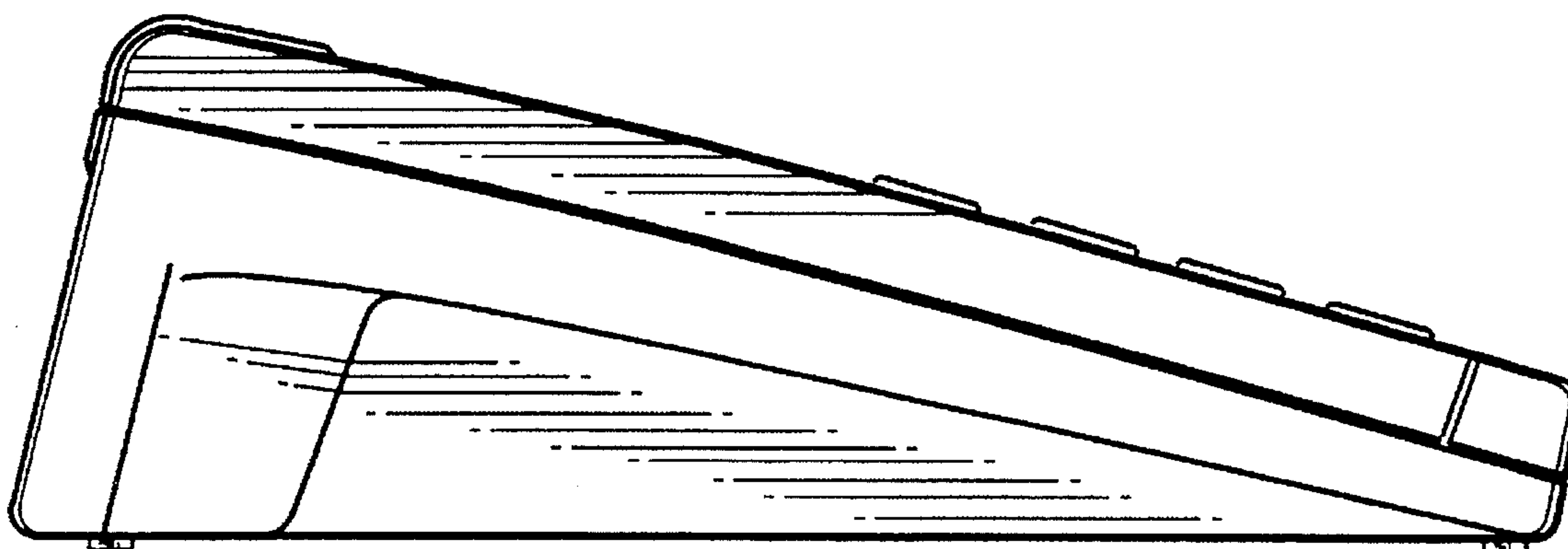


Fig. 7

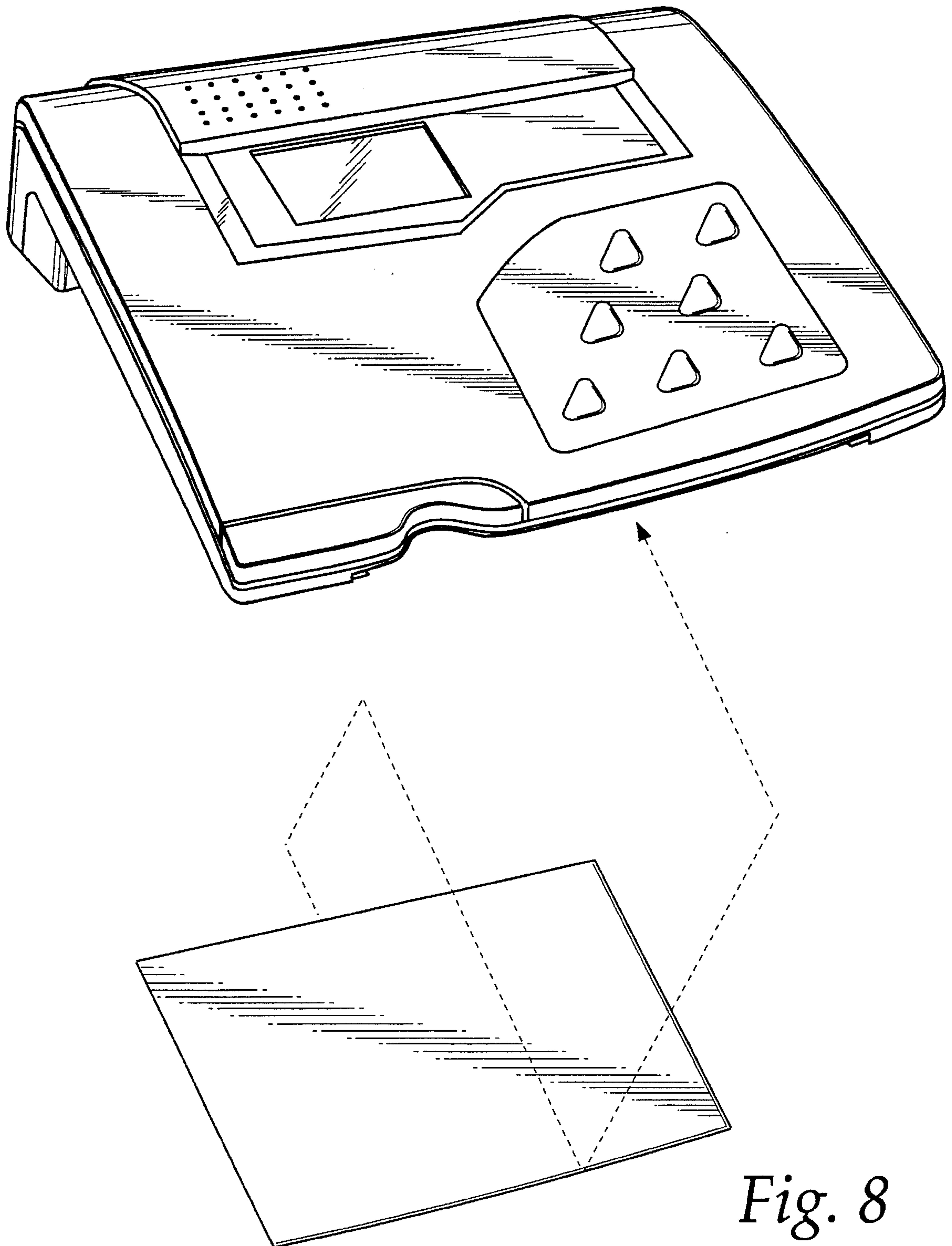


Fig. 8

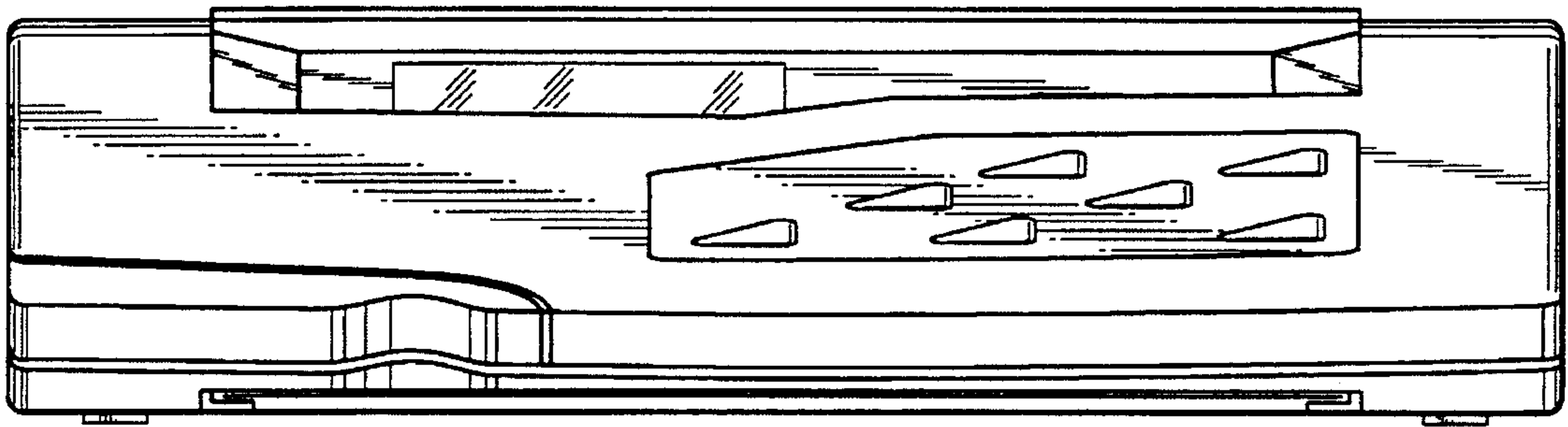


Fig. 9

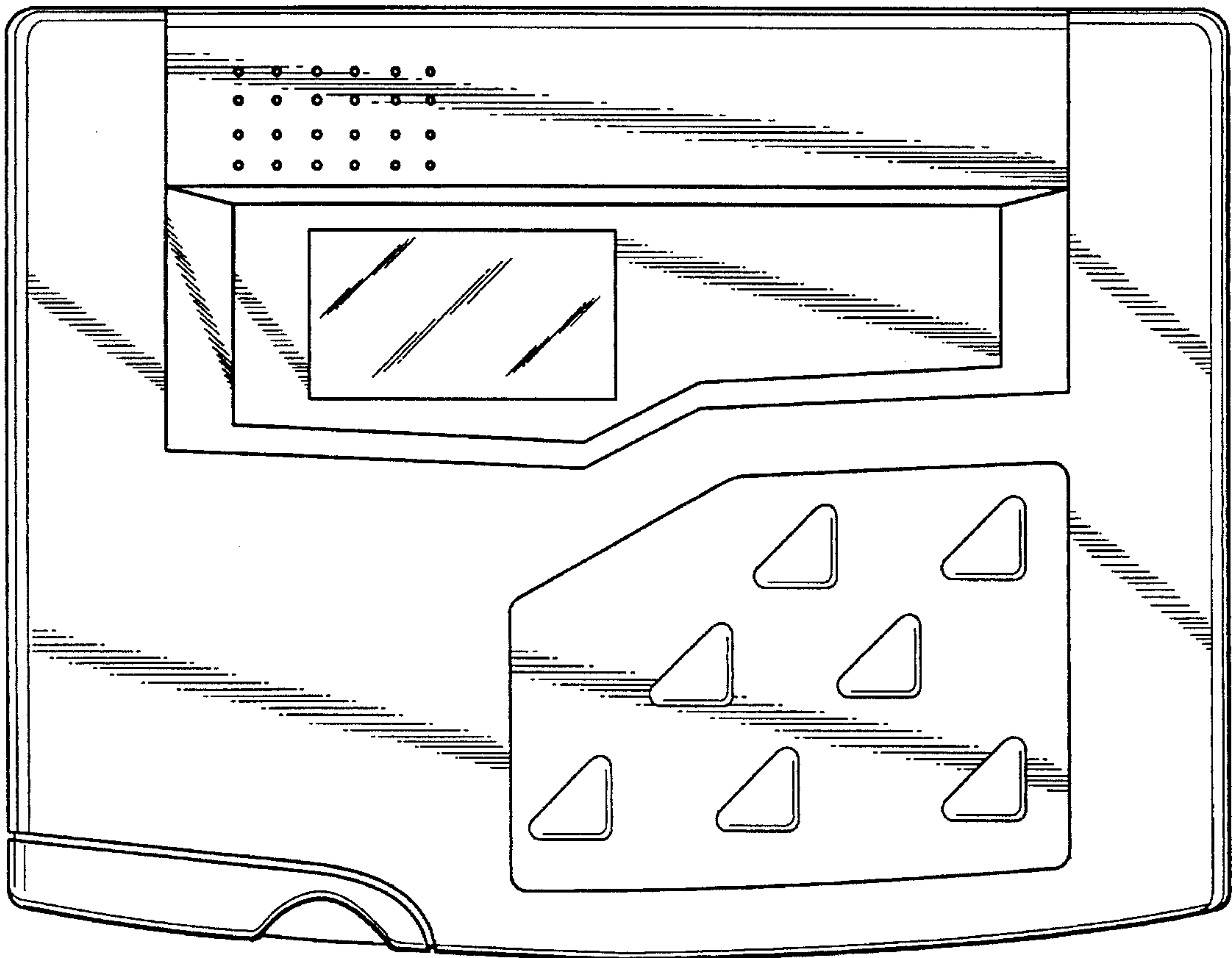


Fig. 10

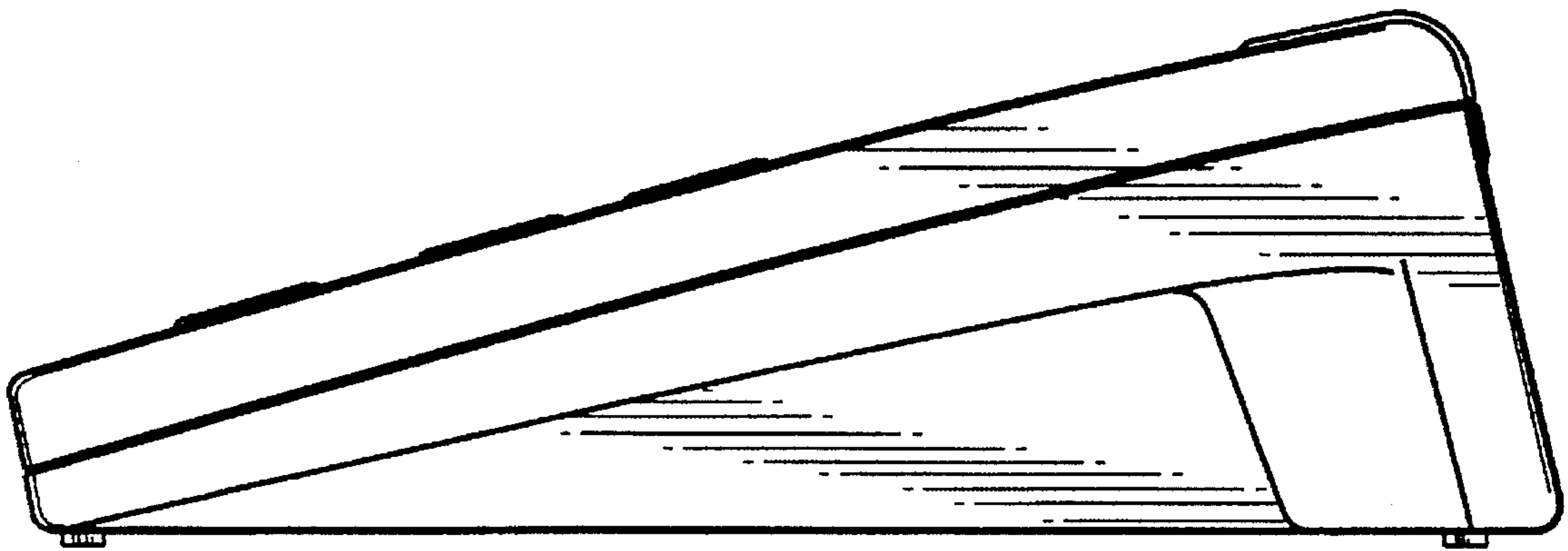


Fig. 11

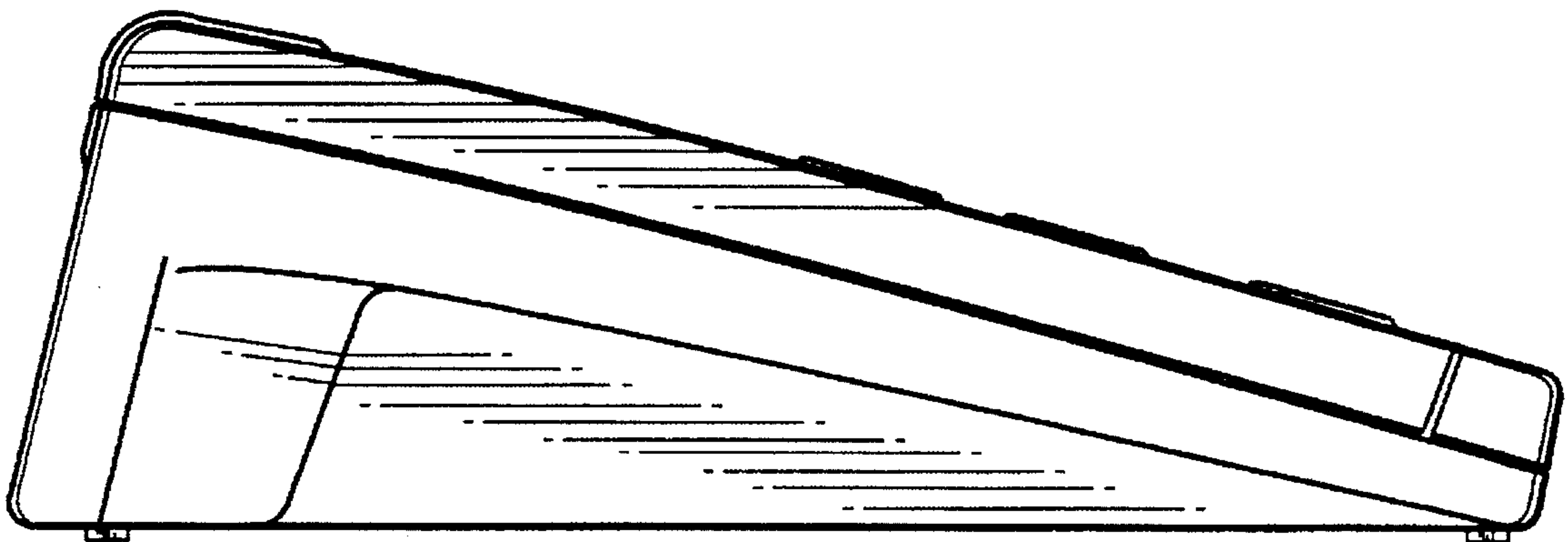


Fig. 12