



US00D371734S

United States Patent [19]
Akers

[11] **Patent Number:** **Des. 371,734**

[45] **Date of Patent:** ****Jul. 16, 1996**

[54] **GATE OPERATING APPARATUS**

[76] Inventor: **Kenneth C. Akers**, 9751 Grove Dr.,
Bonne-Terre, Mo. 63628

[**] Term: **14 Years**

[21] Appl. No.: **32,772**

[22] Filed: **Dec. 28, 1994**

[52] U.S. Cl. **D8/330**

[58] Field of Search D8/330-331; 49/324,
49/339-340, 348-349

[56] **References Cited**

U.S. PATENT DOCUMENTS

2,911,211	11/1959	Umbricht	49/340
3,500,585	3/1970	Vollmar	.
4,782,628	11/1988	Gaddis	.
4,970,826	11/1990	Richmond et al.	.

Primary Examiner—Brian N. Vinson
Attorney, Agent, or Firm—Dennis H. Lambert

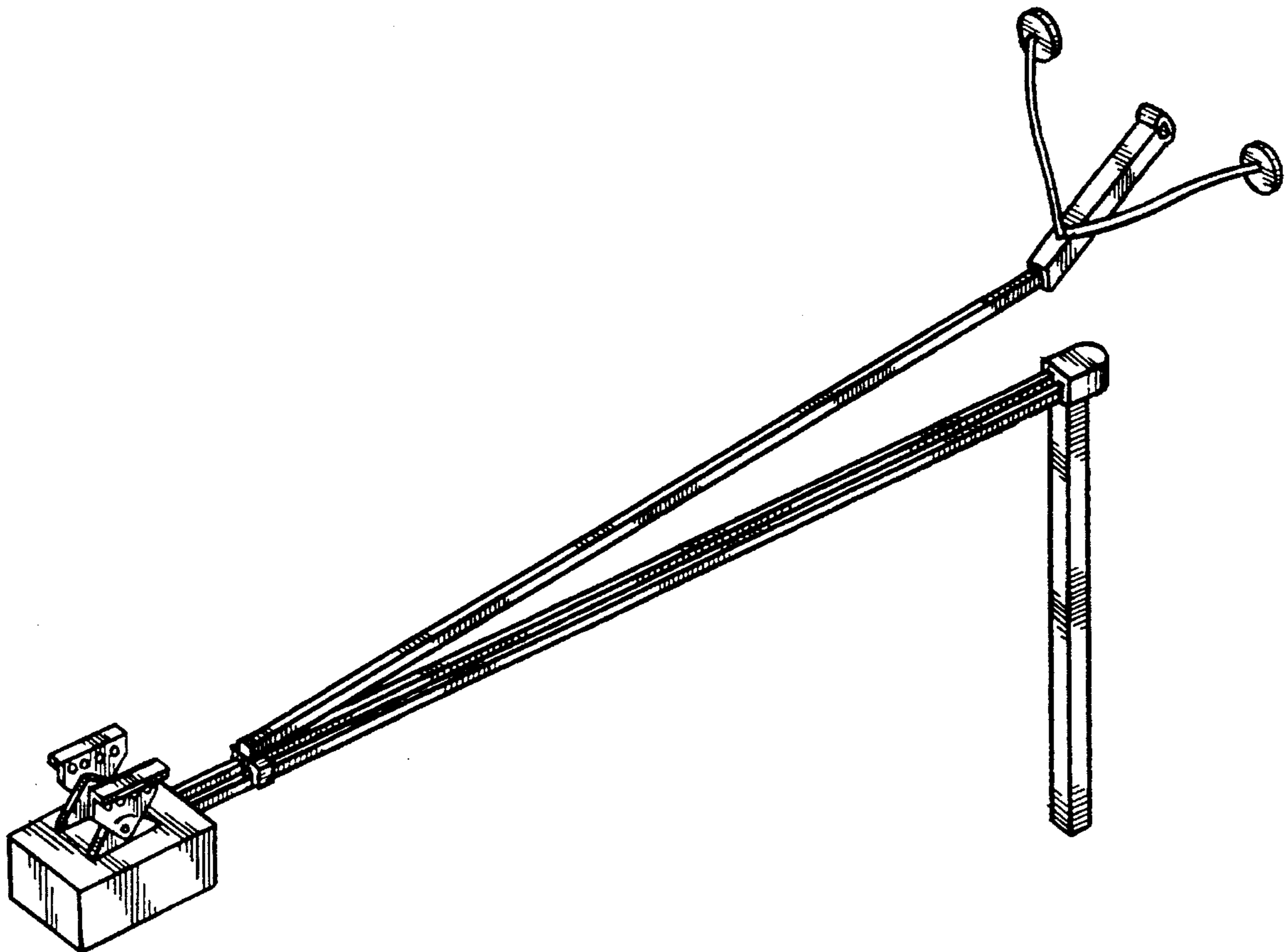
[57] **CLAIM**

The ornamental design for a gate operating apparatus, as shown and described.

DESCRIPTION

FIG. 1 is a front, top and side perspective view of the gate operating apparatus showing my new design;
FIG. 2 is a rear elevational view thereof;
FIG. 3 is a front elevational view thereof;
FIG. 4 is a side elevational view thereof, the side opposite being a mirror image of the side shown in FIG. 4;
FIG. 5 is a top plan view thereof; and,
FIG. 6 is a bottom plan view thereof.

1 Claim, 4 Drawing Sheets



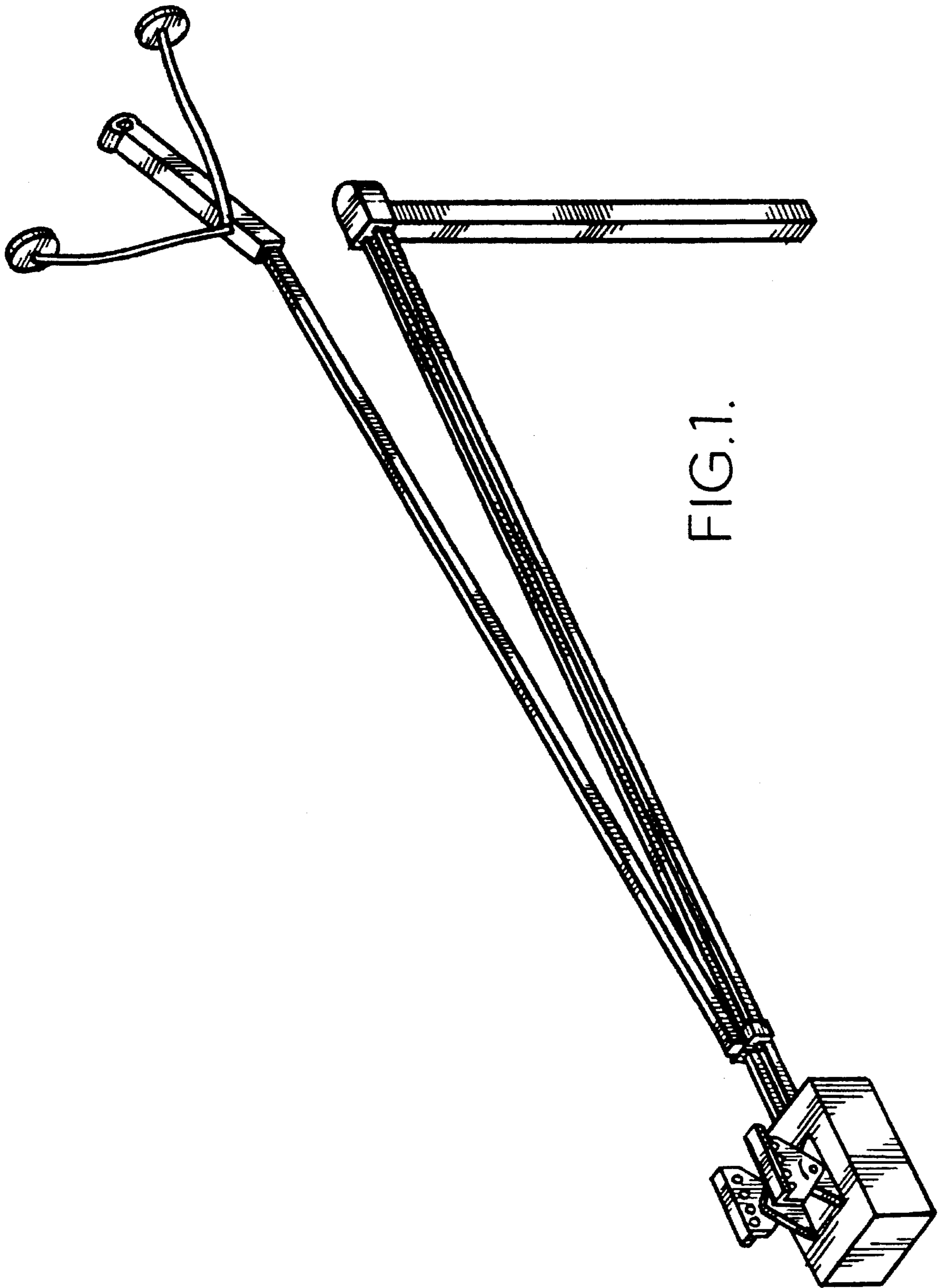


FIG. 1.

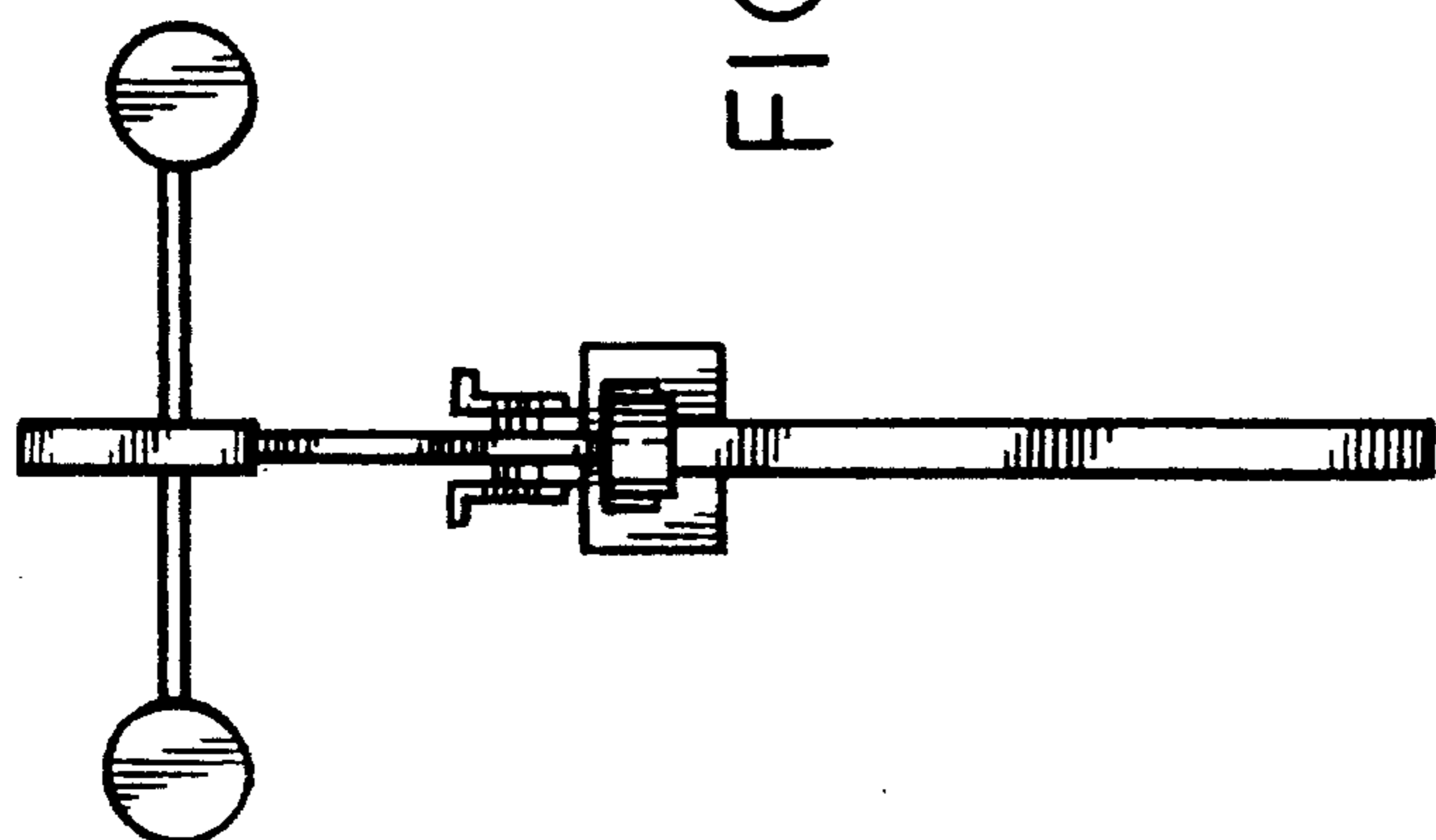


FIG. 2.

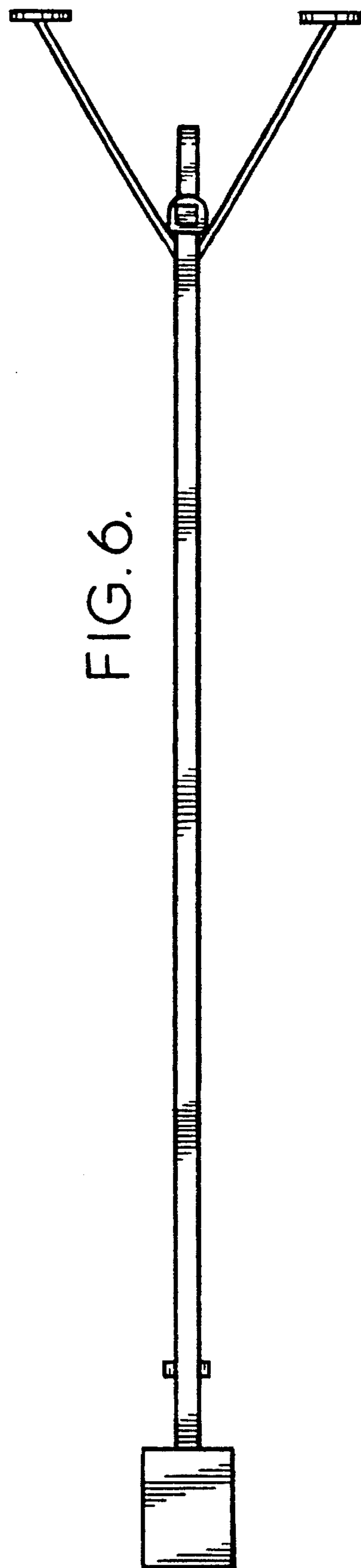


FIG. 6.

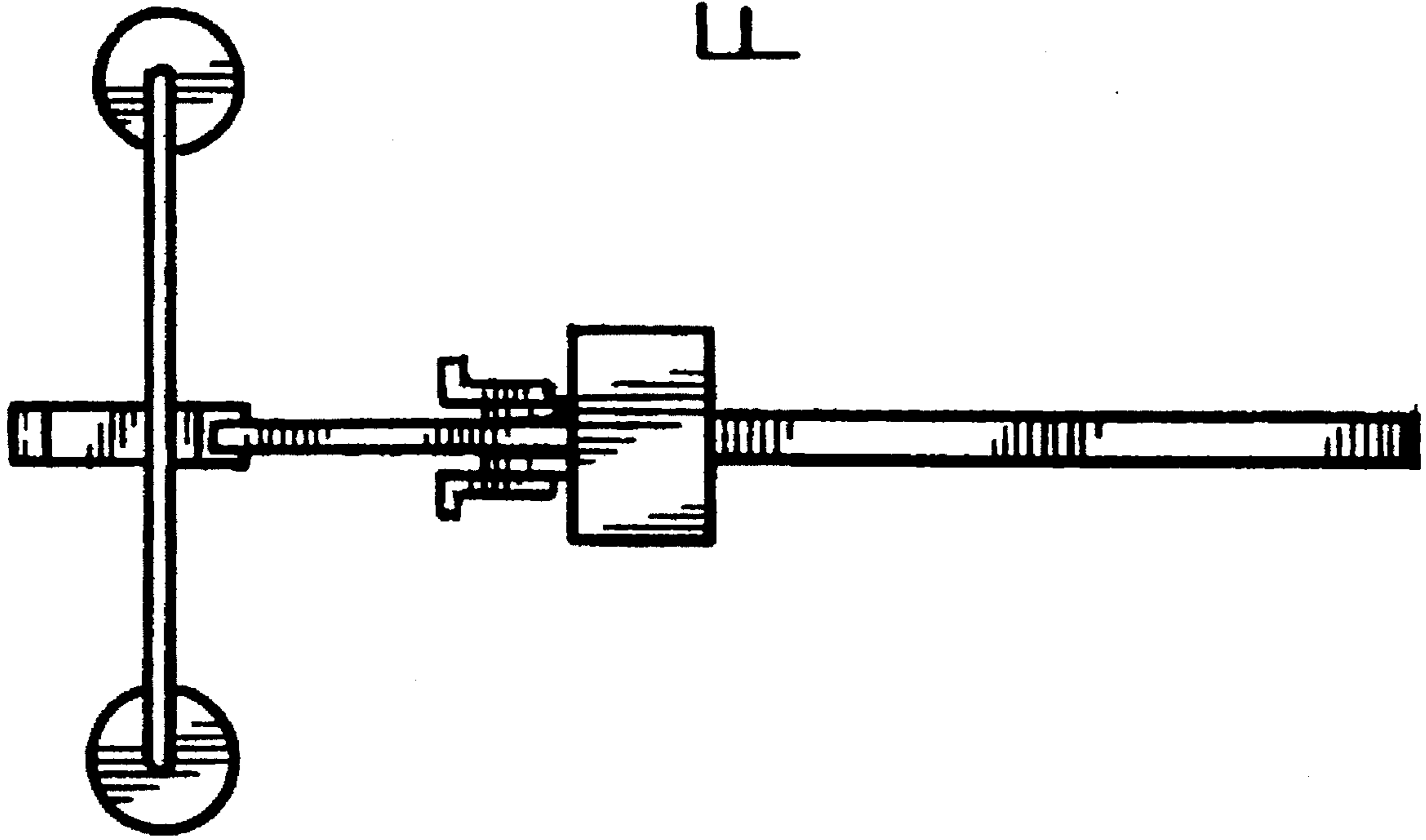


FIG. 3.

