



US00D371728S

# United States Patent [19] Krueger

[11] Patent Number: **Des. 371,728**

[45] Date of Patent: **\*\*Jul. 16, 1996**

[54] **BAGEL CUTTER GUIDE**

4,807,505 2/1989 Campbell et al. .... 83/454  
4,807,862 2/1989 Popeil et al. .... 269/87.2

[76] Inventor: **Jeanette E. Krueger**, 8430 Western Farms Rd., Missoula, Mont. 59802

### OTHER PUBLICATIONS

[\*\*] Term: **14 Years**

HFD, Apr. 16, 1990, p. 120, Bread Slicer.

[21] Appl. No.: **43,200**

*Primary Examiner*—Terry A. Wallace  
*Attorney, Agent, or Firm*—Harry M. Cross, Jr.

[22] Filed: **Aug. 29, 1995**

### [57] CLAIM

[52] U.S. Cl. .... **D7/673**

The ornamental design for a bagel cutter guide, as shown and described.

[58] Field of Search ..... D7/672, 673; 269/87.1, 269/87.2, 289 R, 295

### DESCRIPTION

### [56] References Cited

#### U.S. PATENT DOCUMENTS

|            |         |                  |       |        |
|------------|---------|------------------|-------|--------|
| D. 59,691  | 11/1921 | Sprader          | ..... | D7/673 |
| D. 277,066 | 1/1985  | Levine           | .     |        |
| D. 315,275 | 3/1991  | Aziz et al.      | ..... | D7/673 |
| D. 316,657 | 5/1991  | Mulherin         | ..... | D7/673 |
| D. 343,770 | 2/1994  | McFarling et al. | ..... | D7/673 |
| D. 354,203 | 1/1995  | Naccarato        | ..... | D7/673 |
| 2,343,448  | 3/1944  | Fay              | .     |        |
| 3,018,806  | 1/1962  | Moore            | .     |        |
| 3,347,296  | 10/1967 | Rothman          | .     |        |
| 4,249,445  | 2/1981  | Browing          | ..... | 83/762 |

FIG. 1 is a perspective view of a bagel cutter guide showing my new design;

FIG. 2 is a side elevation view thereof;

FIG. 3 is an end elevation views thereof;

FIG. 4 is a top plan view thereof; and,

FIG. 5 is a bottom plan view thereof.

The broken line showing the environmental structure of a bagel and knife blade in FIG. 1 is for illustrative purposes only and forms no part of the claimed design.

**1 Claim, 2 Drawing Sheets**

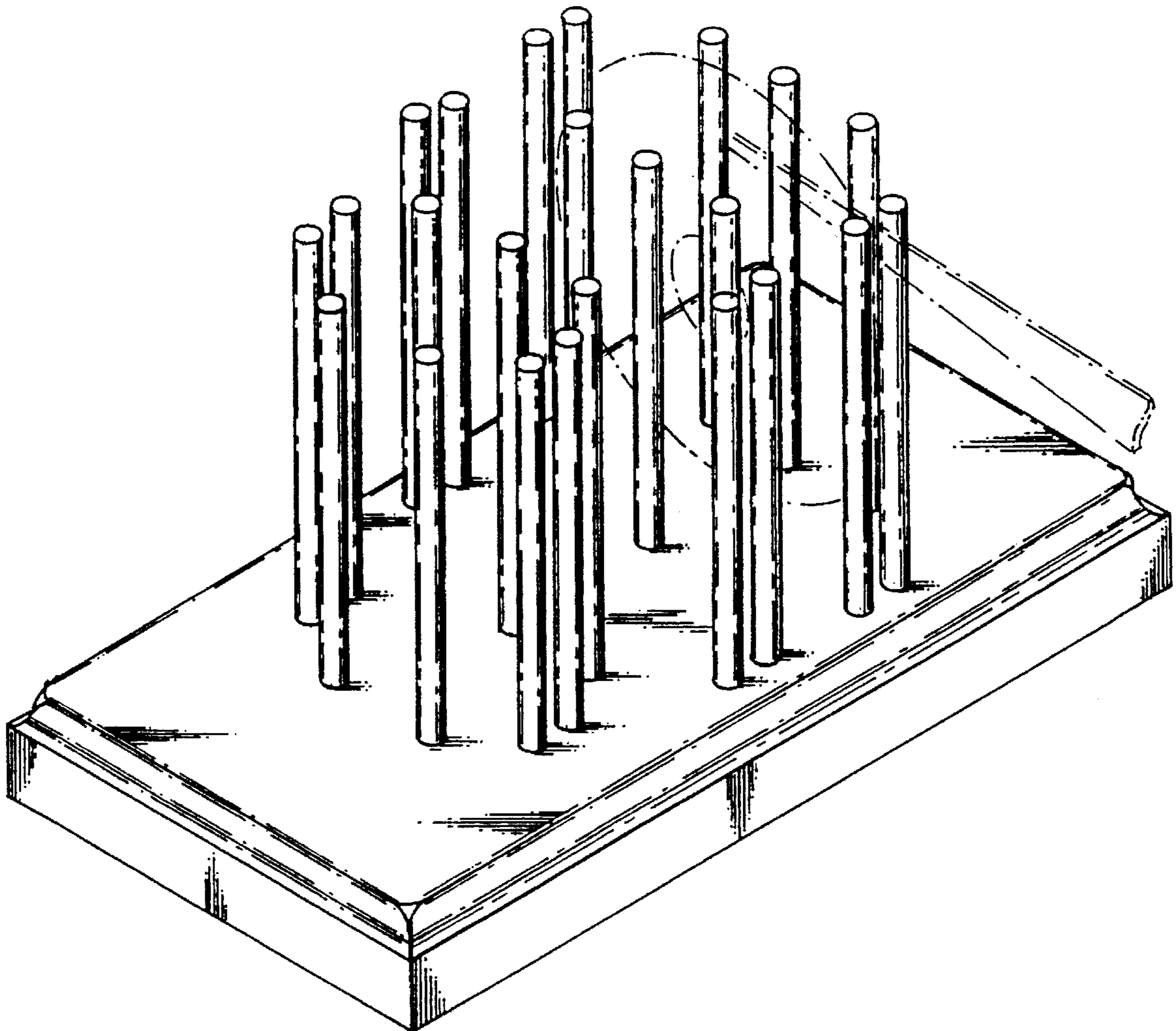


FIG. 1

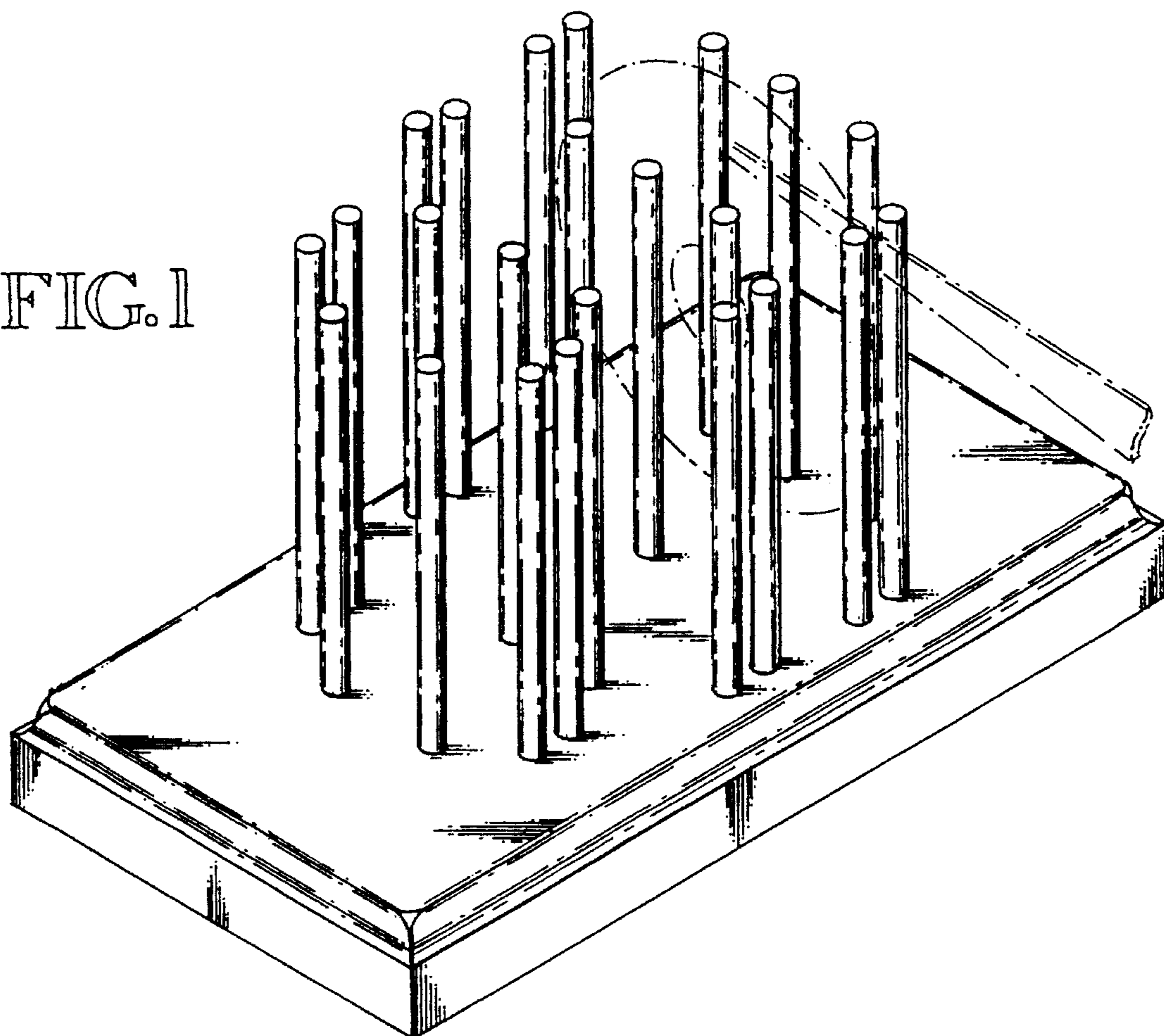
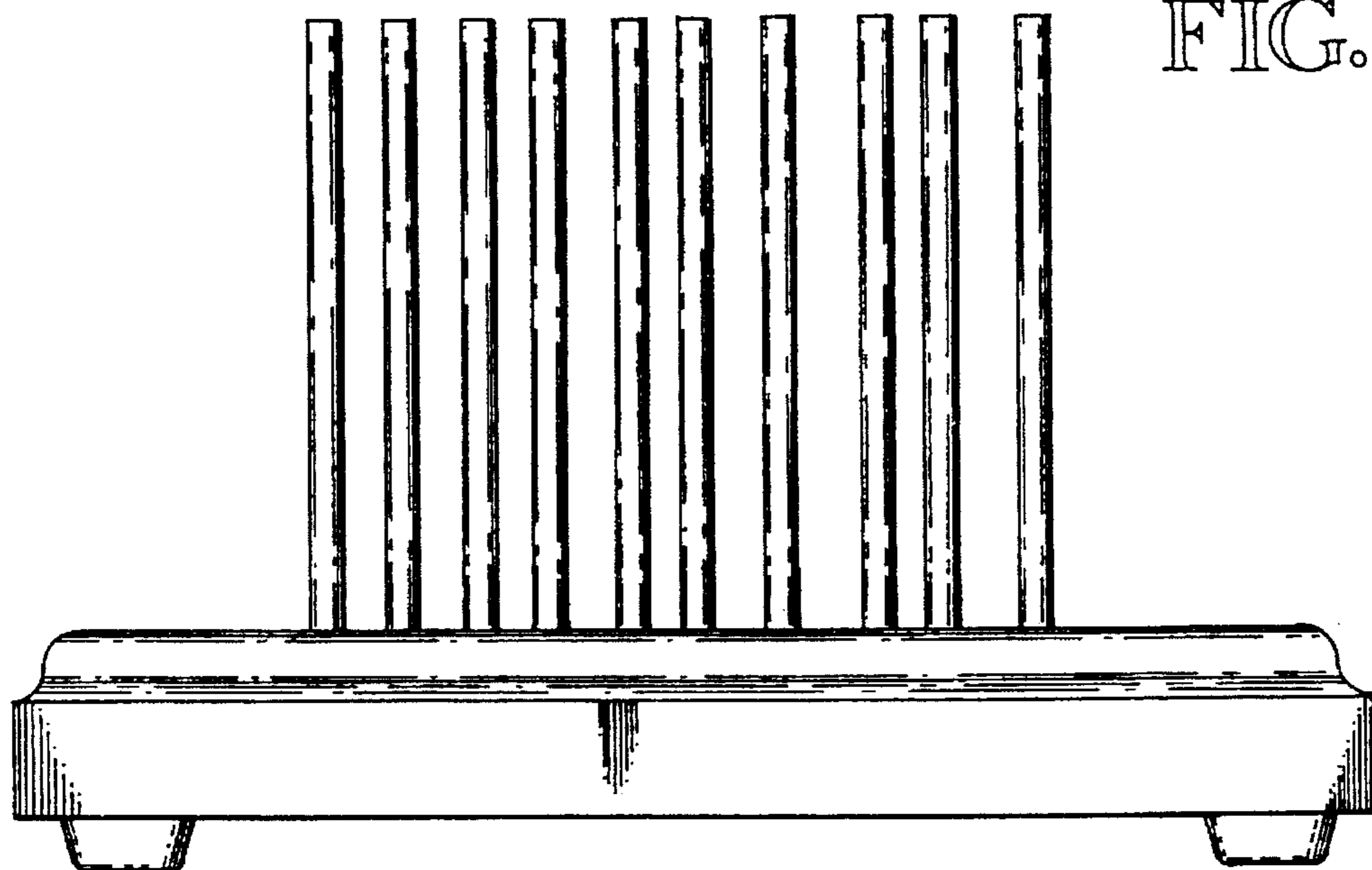


FIG. 2



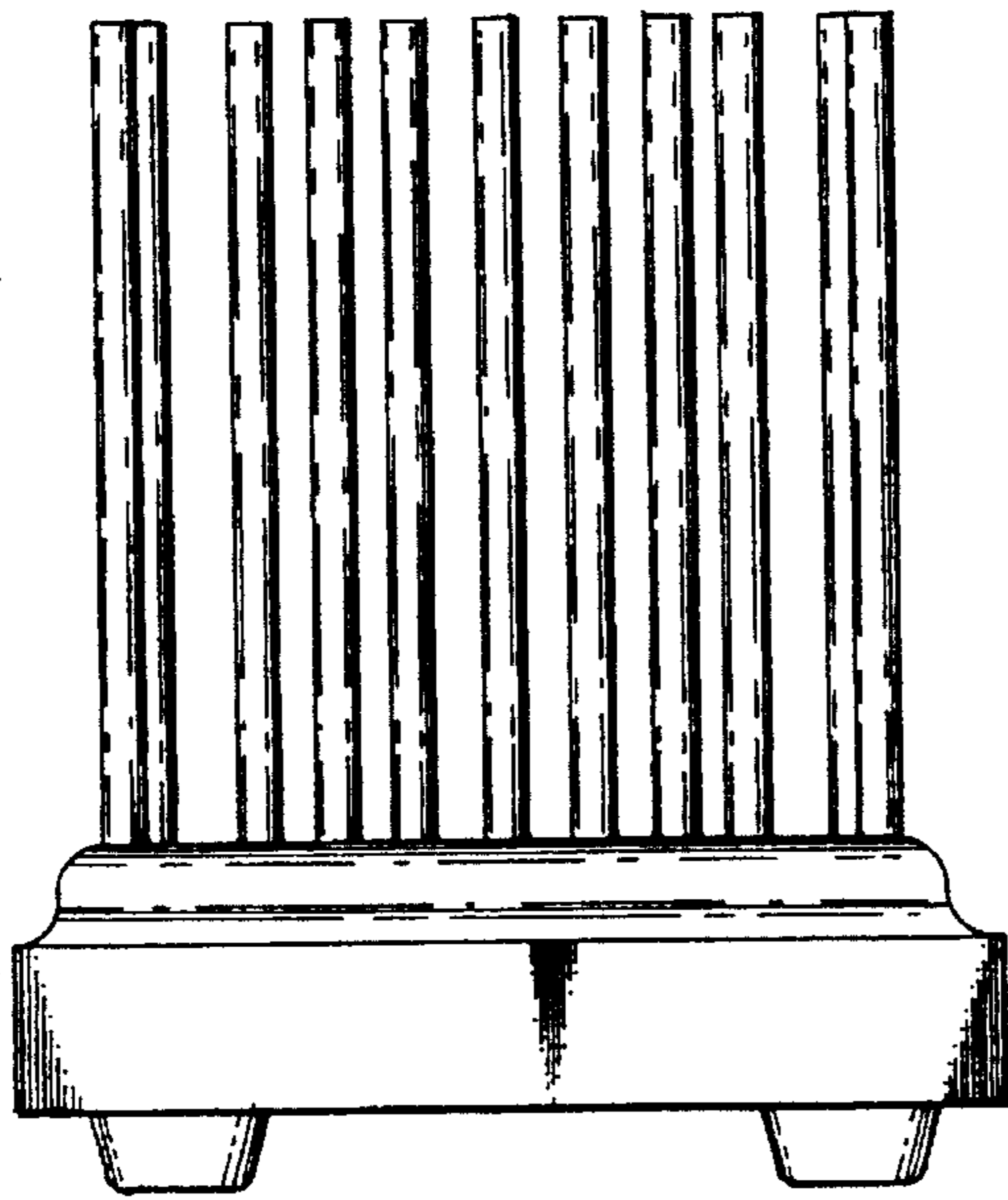


FIG. 3

FIG. 4

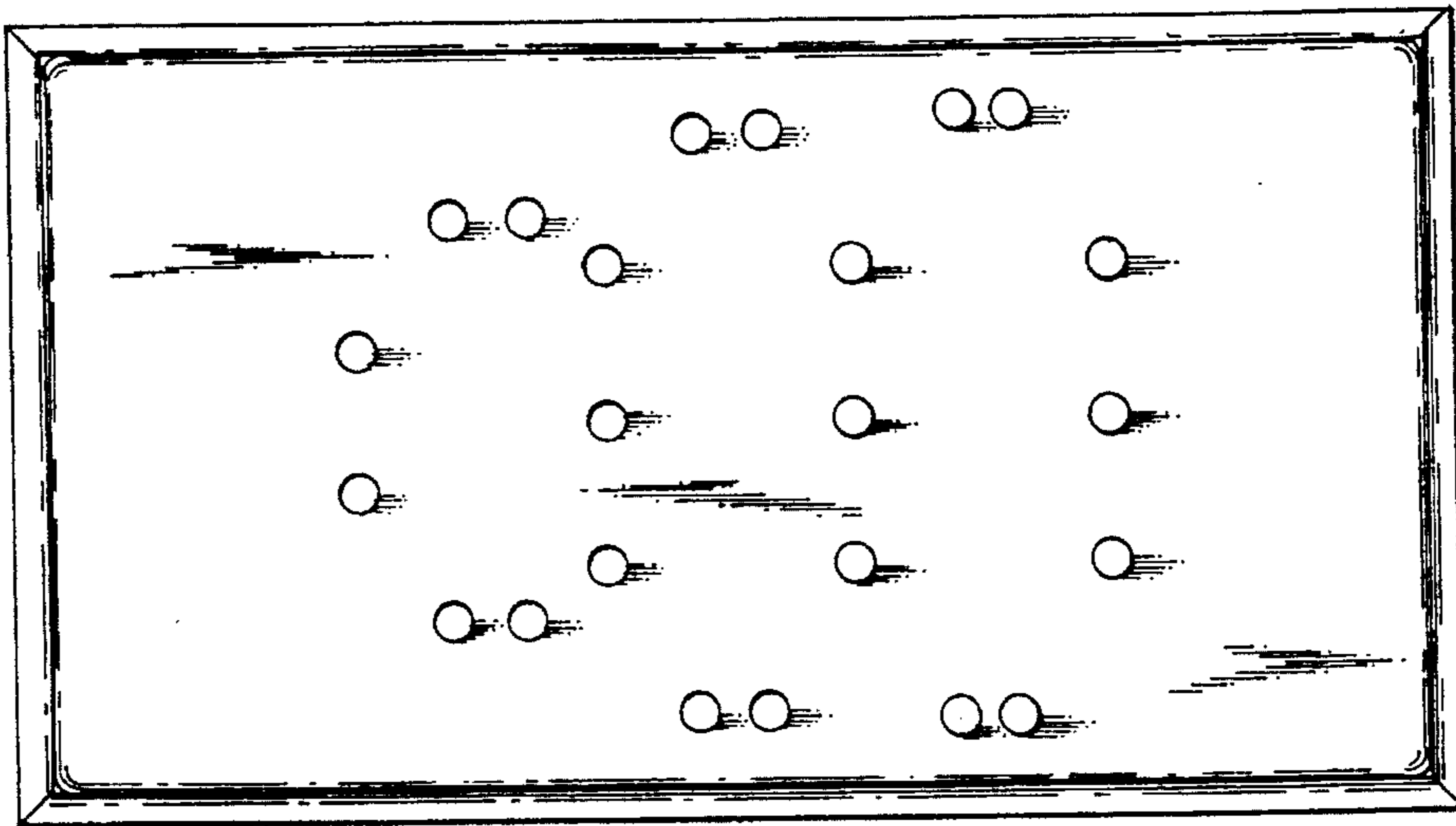


FIG. 5

