



US00D371721S

United States Patent [19]

Redmond et al.

[11] Patent Number: **Des. 371,721**

[45] Date of Patent: ****Jul. 16, 1996**

[54] **BOWL**

[76] Inventors: **Will Redmond; Janice O. Redmond,**
both of 10445 Highway 35 South,
Batesville, Miss. 38606

[**] Term: **14 Years**

[21] Appl. No.: **39,083**

[22] Filed: **May 19, 1995**

[52] U.S. Cl. **D7/565; D7/508; D7/584**

[58] Field of Search **D7/560, 565, 540,**
D7/538, 502, 506, 547, 549, 550, 551,
552, 553, 554, 556, 557, 584, 585, 586,
588, 571, 325, 539, 523, 587; 220/555,
575, 427; D7/555, 508; D30/129, 130

[56] **References Cited**

U.S. PATENT DOCUMENTS

D. 49,727	10/1916	Goldstein	D7/508
D. 119,166	2/1940	Guild	D7/565
D. 279,949	8/1985	Rossin	D7/565
D. 301,427	6/1989	Klinghofer	D7/555
D. 305,197	12/1989	Valdes	D7/538 X
D. 326,587	6/1992	Convertini	D7/540

D. 340,554	10/1993	Wheeler	D7/584 X
D. 363,644	10/1995	Wyah et al.	D7/553
2,693,686	11/1954	Pierce	D7/508 X
3,448,883	6/1969	Boswell	D7/584 X
3,547,569	12/1970	Fenton et al.	D7/584 X
3,756,462	9/1973	Cain	220/23.83

FOREIGN PATENT DOCUMENTS

12240	5/1902	United Kingdom	D7/553
29157	2/1905	United Kingdom	D7/553

Primary Examiner—M. N. Pandozzi
Attorney, Agent, or Firm—James A. Hudak

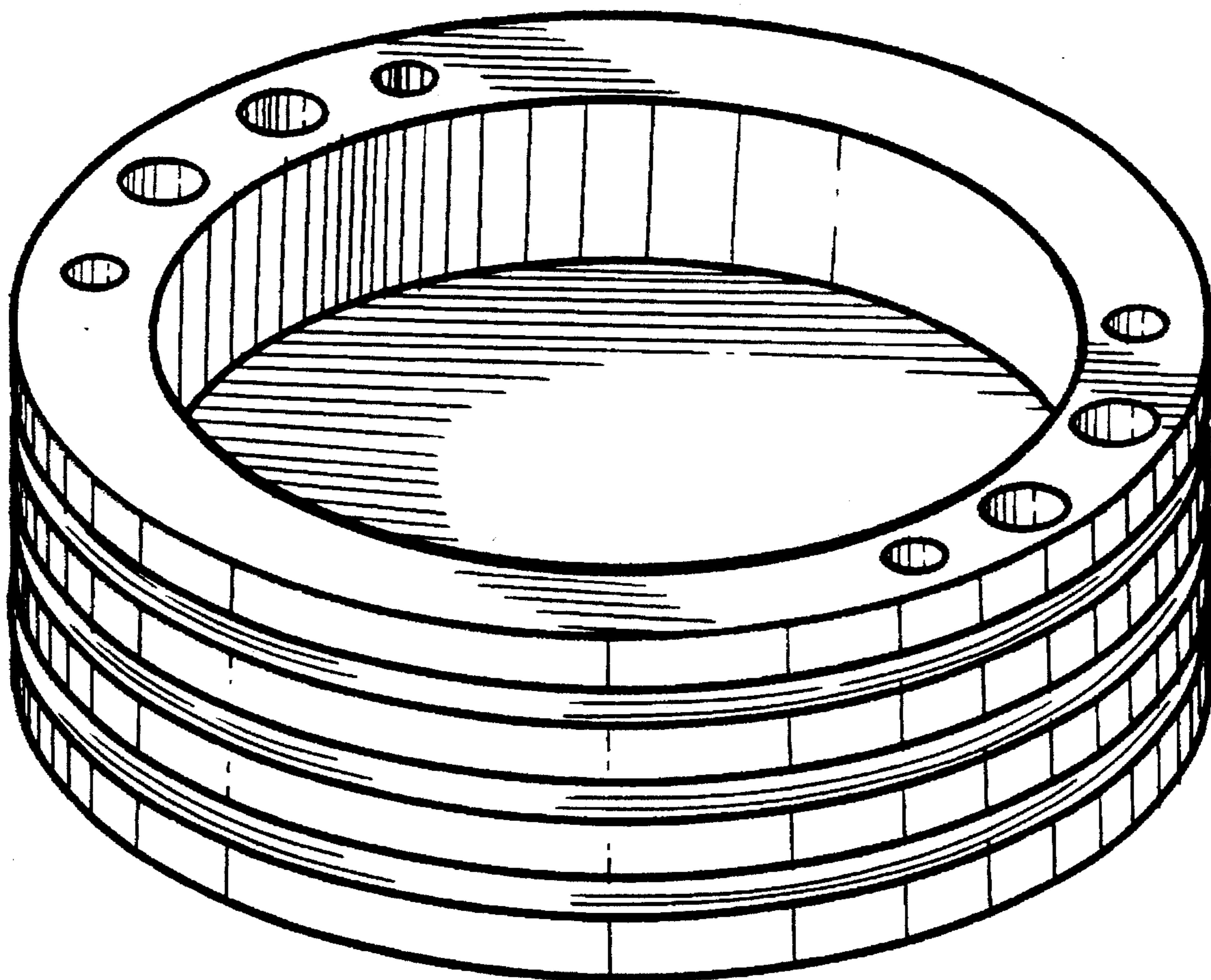
[57] CLAIM

The ornamental design for a bowl, as shown and described.

DESCRIPTION

FIG. 1 is a perspective view of the bowl showing our new design;
FIG. 2 is a front elevational view thereof, the rear elevational view, the right side elevational view and the left side elevational view being identical thereto;
FIG. 3 is a top plan view thereof; and,
FIG. 4 is a bottom plan view thereof.

1 Claim, 3 Drawing Sheets



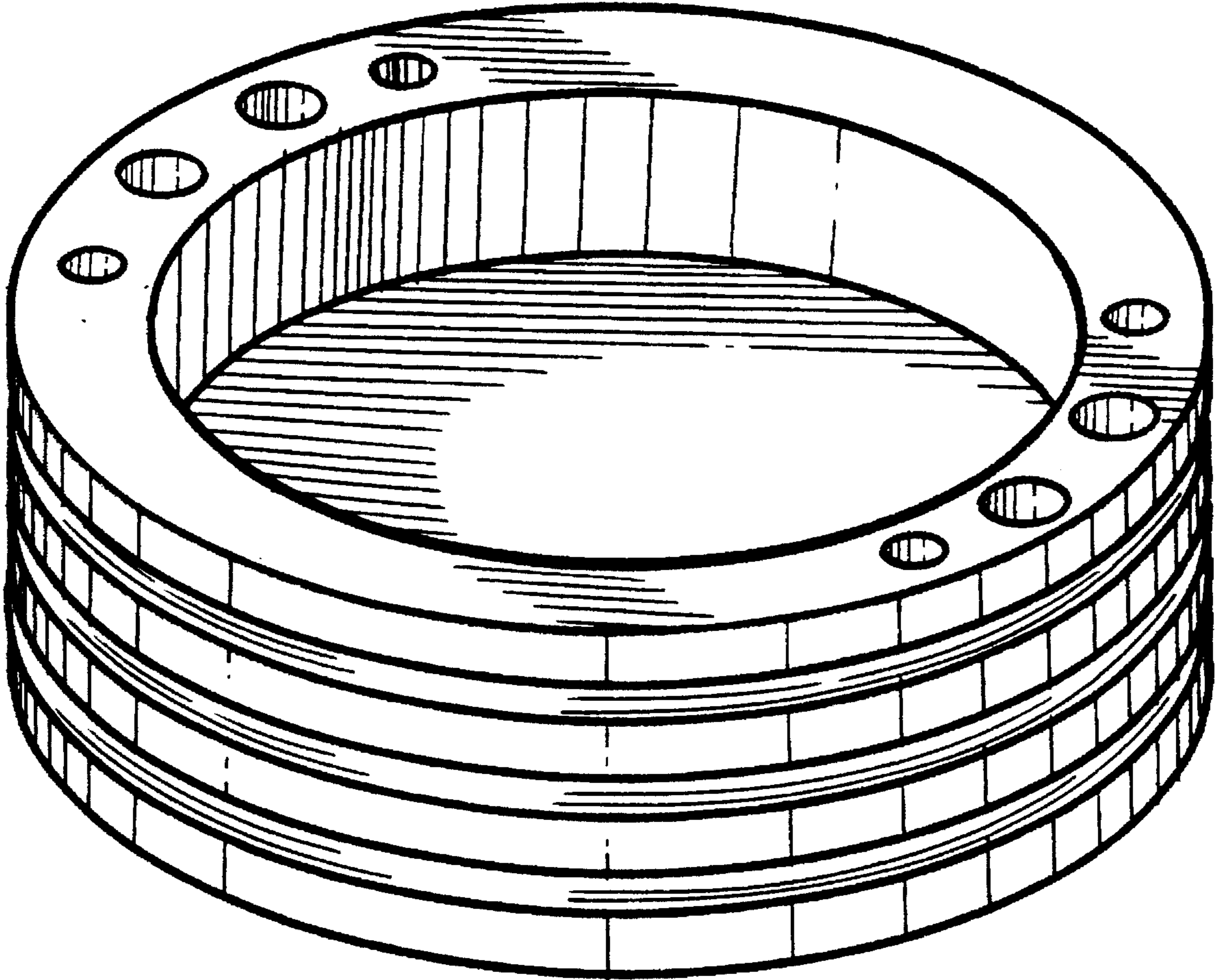


FIG.1.

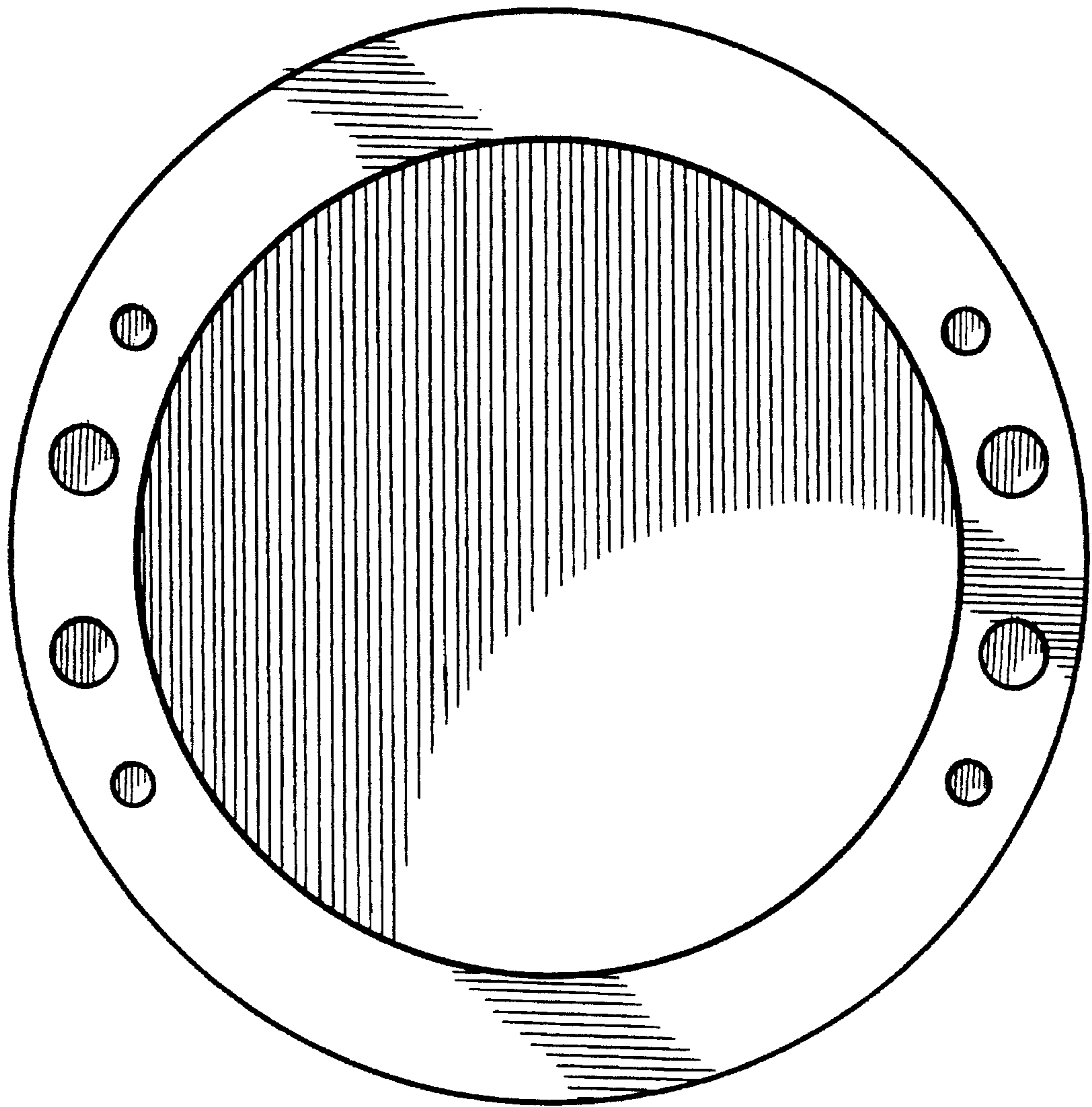


FIG. 3.

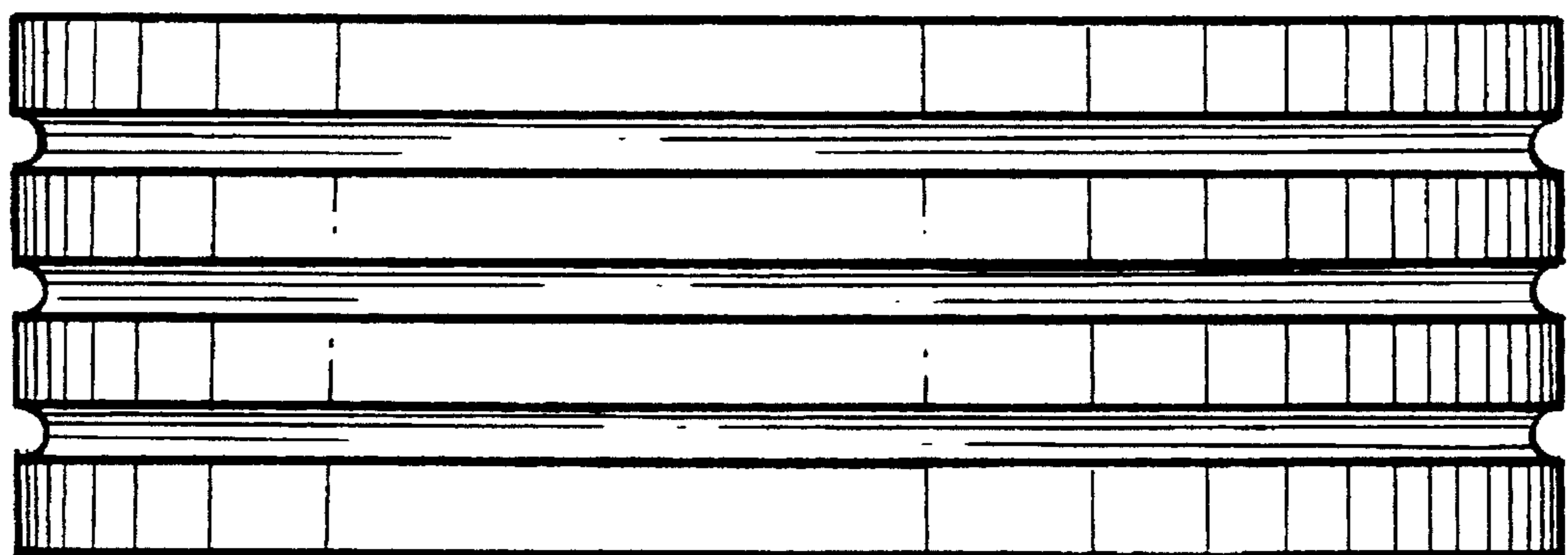


FIG. 2.

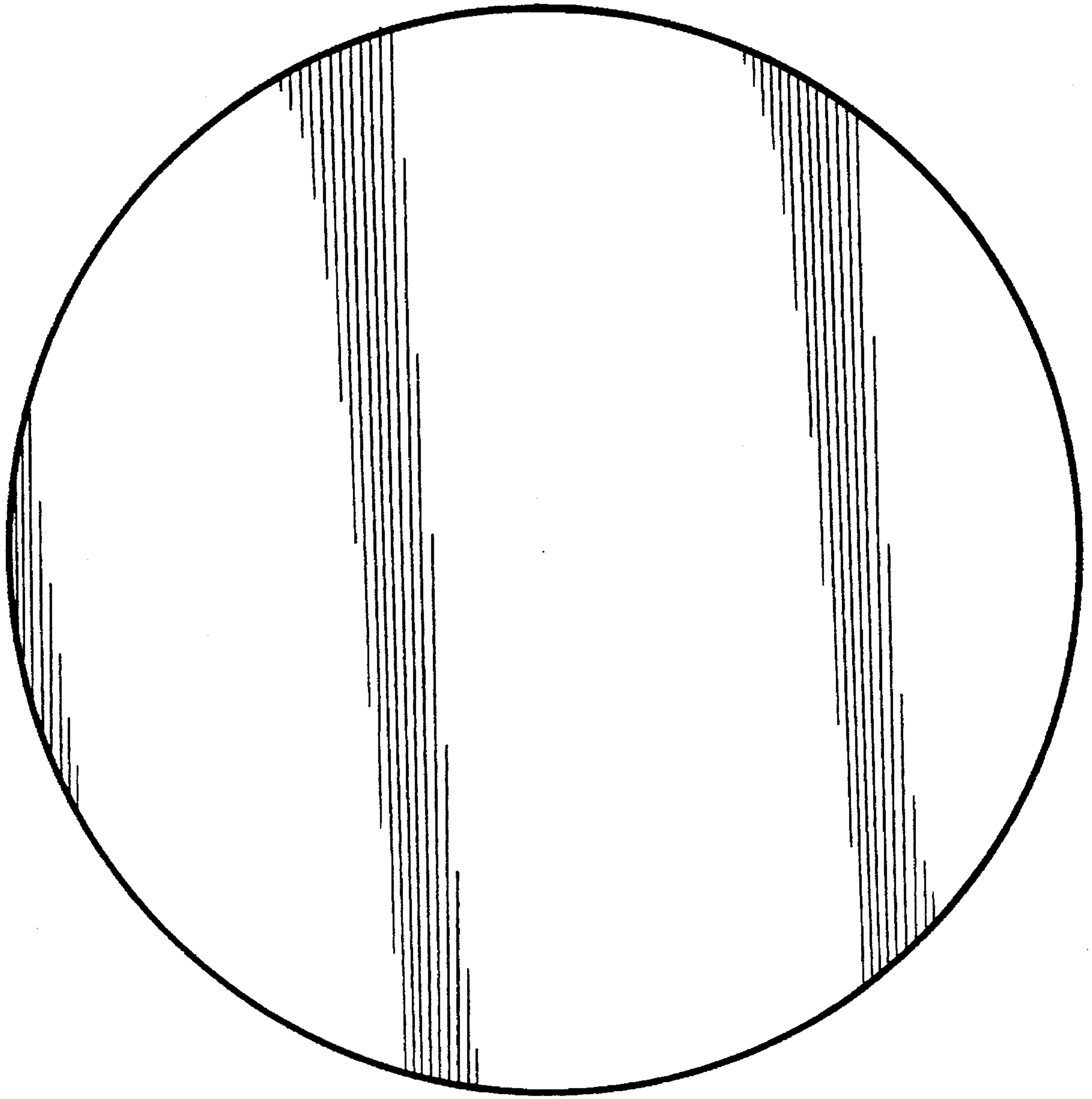


FIG. 4.