



US00D371715S

United States Patent [19]

[11] Patent Number: **Des. 371,715**

Brown

[45] Date of Patent: ****Jul. 16, 1996**

[54] **MULTIFUNCTIONAL BRAISING PAN**

Food Service Equipment and Supplies Specialist p. 26 Jun. 1993.

[75] Inventor: **Charles A. Brown**, Dallas, Pa.

[73] Assignee: **Legion Industries, Inc.**, Dallas, Pa.

[**] Term: **14 Years**

Primary Examiner—Louis S. Zarfes
Assistant Examiner—Frank Martinez
Attorney, Agent, or Firm—Caesar, Rivise, Bernstein, Cohen & Pokotilow, Ltd.

[21] Appl. No.: **29,716**

[57] CLAIM

[22] Filed: **Oct. 14, 1994**

The ornamental design for a multifunctional braising pan, as shown and described.

[52] U.S. Cl. **D7/323**; 126/211; 99/385

[58] Field of Search 126/37 R, 37 A,
126/37 B, 22, 19 R, 39 R; 99/385, 30,
402, 403

DESCRIPTION

[56] References Cited

U.S. PATENT DOCUMENTS

3,489,133 1/1970 Kells et al. 126/211
5,133,248 7/1992 Farnsworth et al. 99/385

OTHER PUBLICATIONS

Food service Equipment and Supplies Specialist p. 64, Feb. 1994.

Food Service Equipment and Supplies Specialist p. 61, Mar. 1993.

FIG. 1 is a perspective view of a multifunctional braising pan, showing my new design, in its closed position;
FIG. 2 is a front elevational view thereof;
FIG. 3 is a rear elevational view thereof;
FIG. 4 is a right side elevational view thereof;
FIG. 5 is a left side elevational view thereof;
FIG. 6 is a top plan view thereof; and,
FIG. 7 is a bottom plan view thereof.

1 Claim, 7 Drawing Sheets

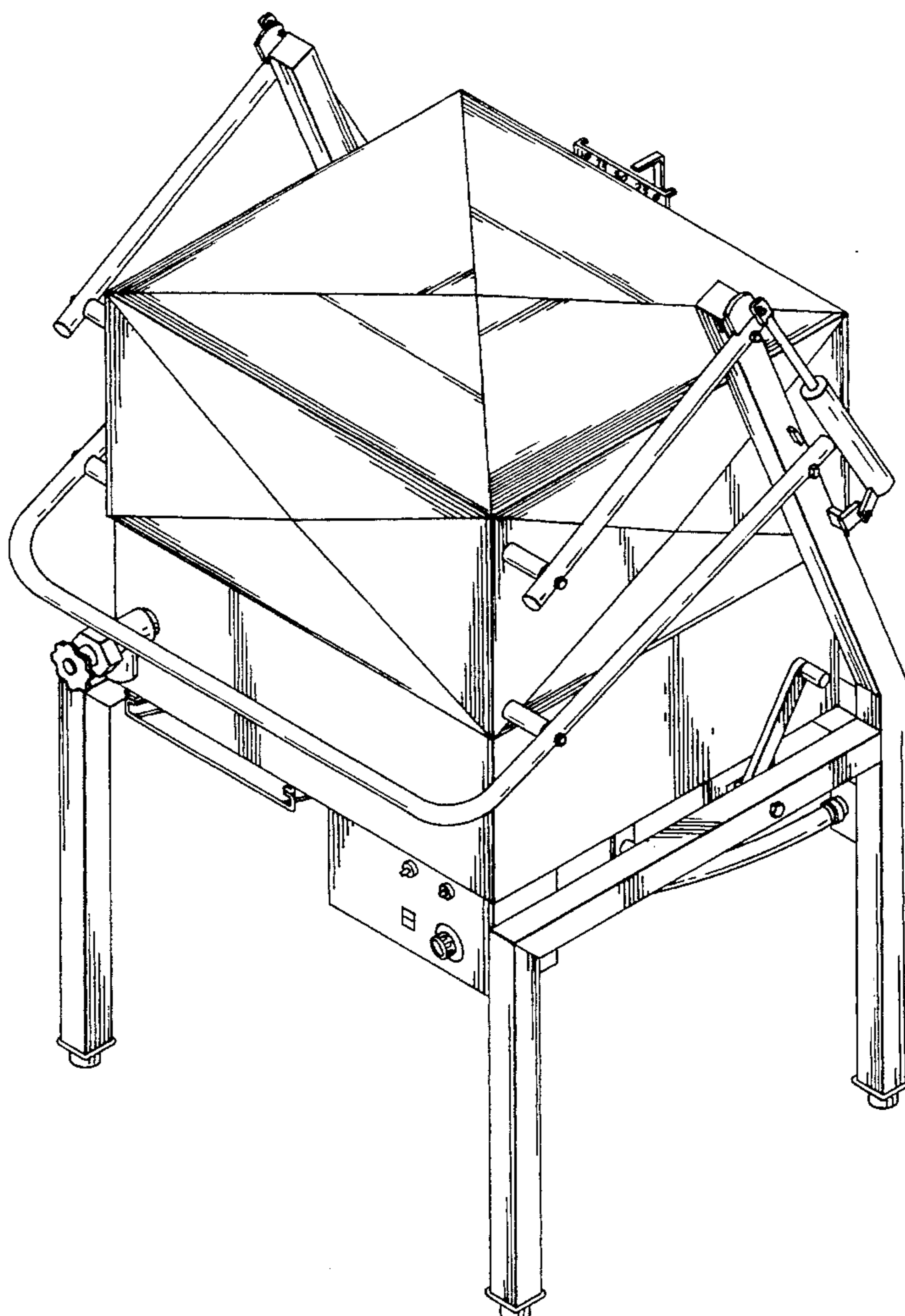


FIG. 1

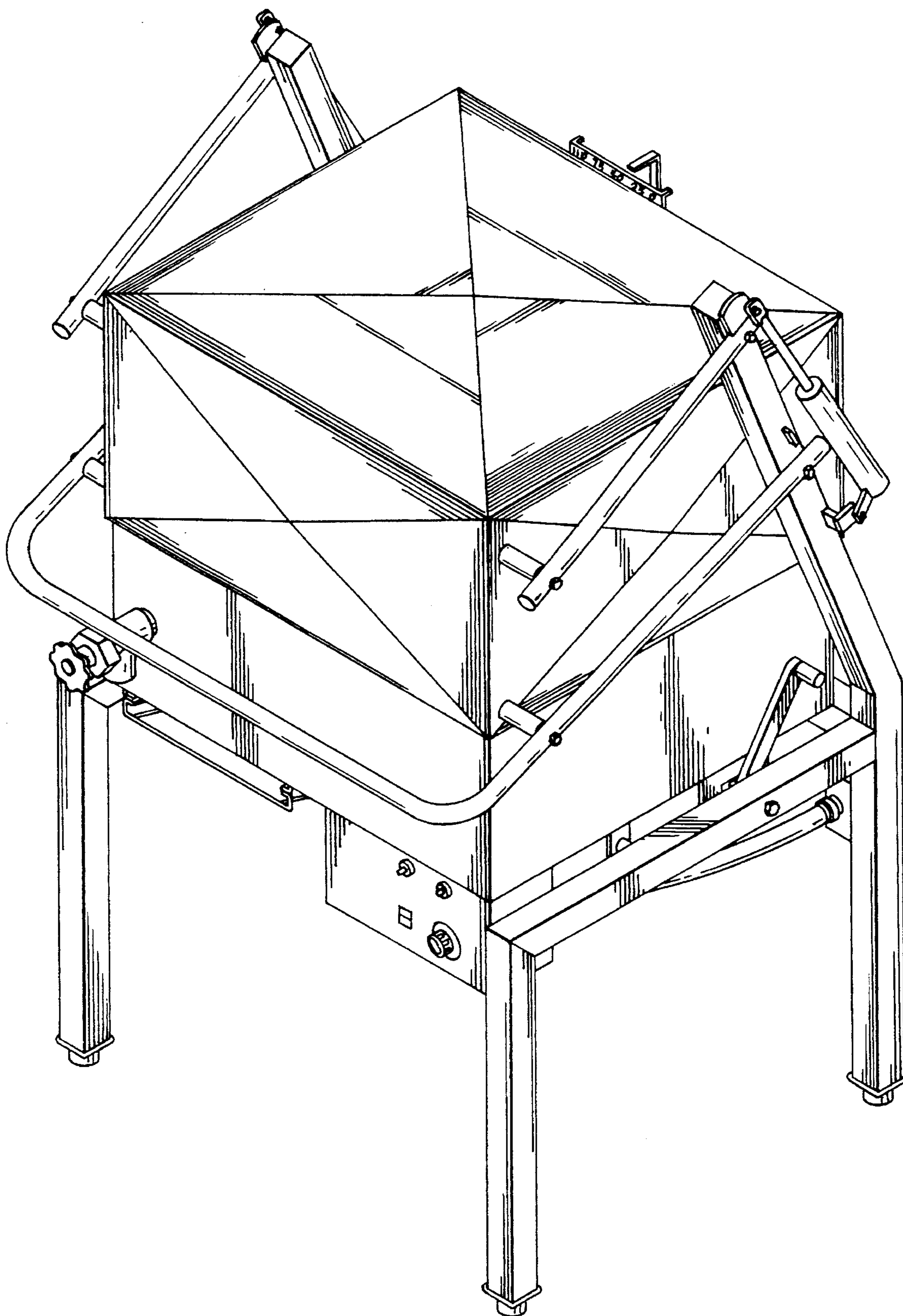


FIG. 2

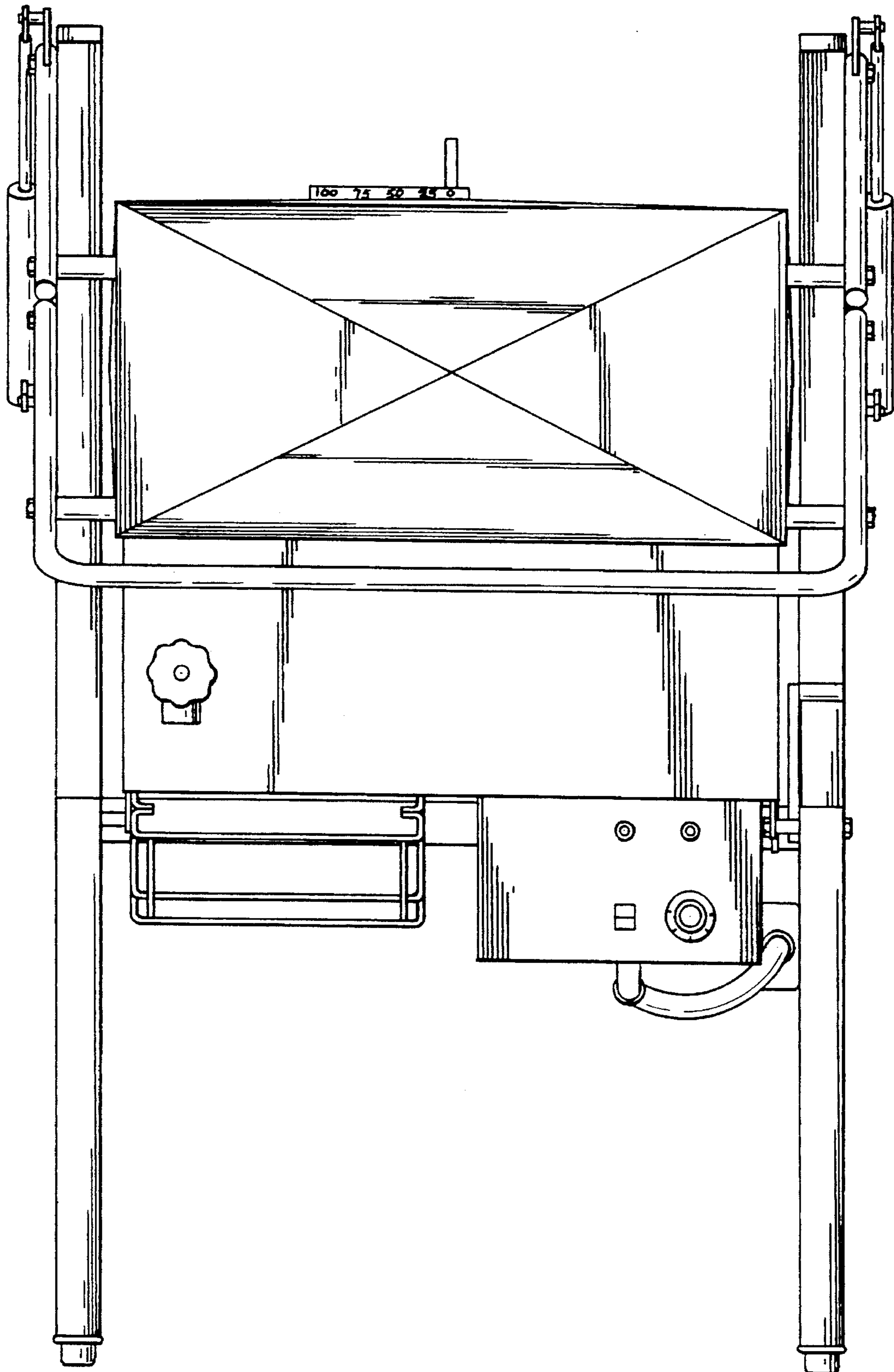


FIG. 3

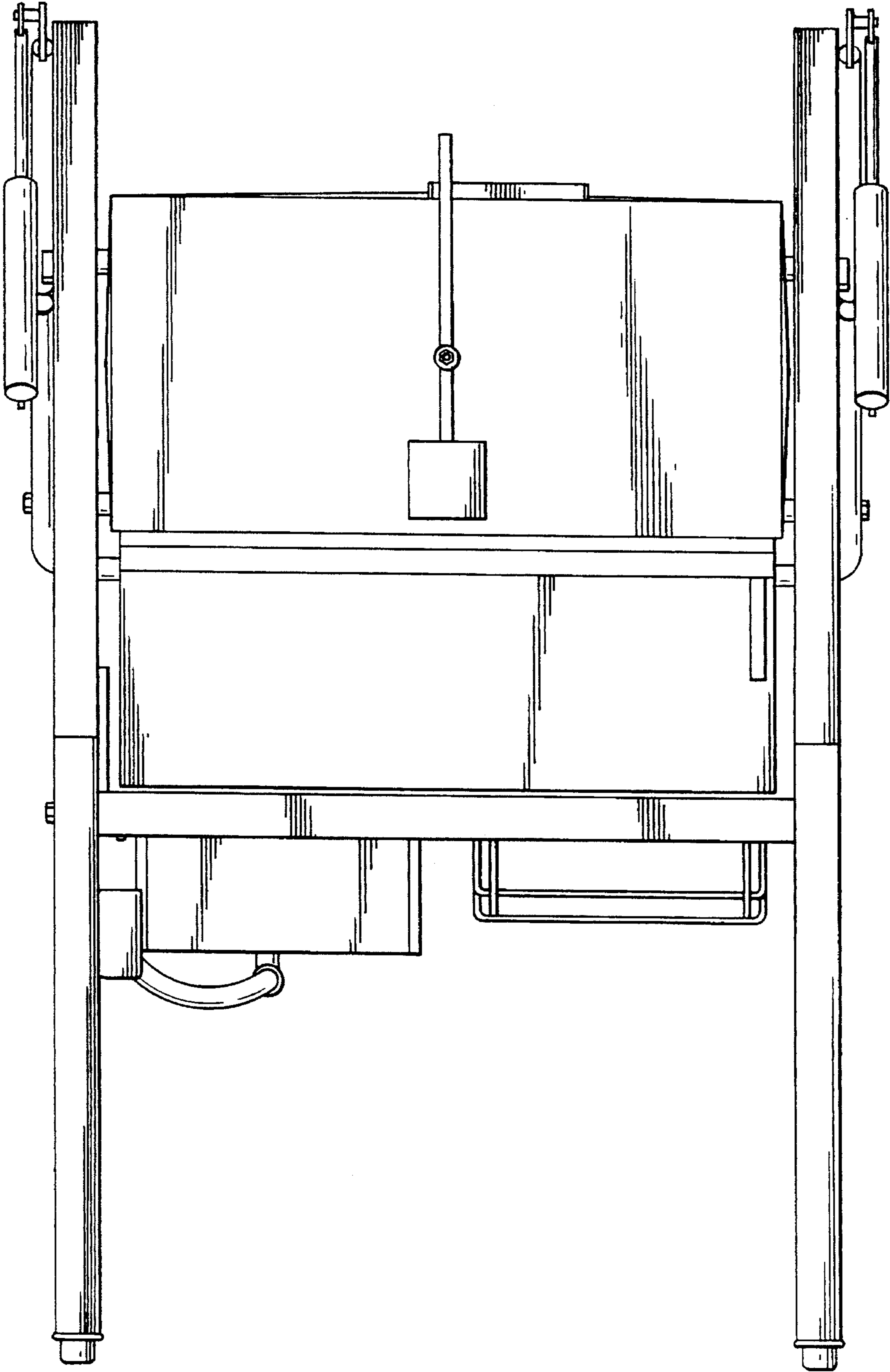


FIG. 4

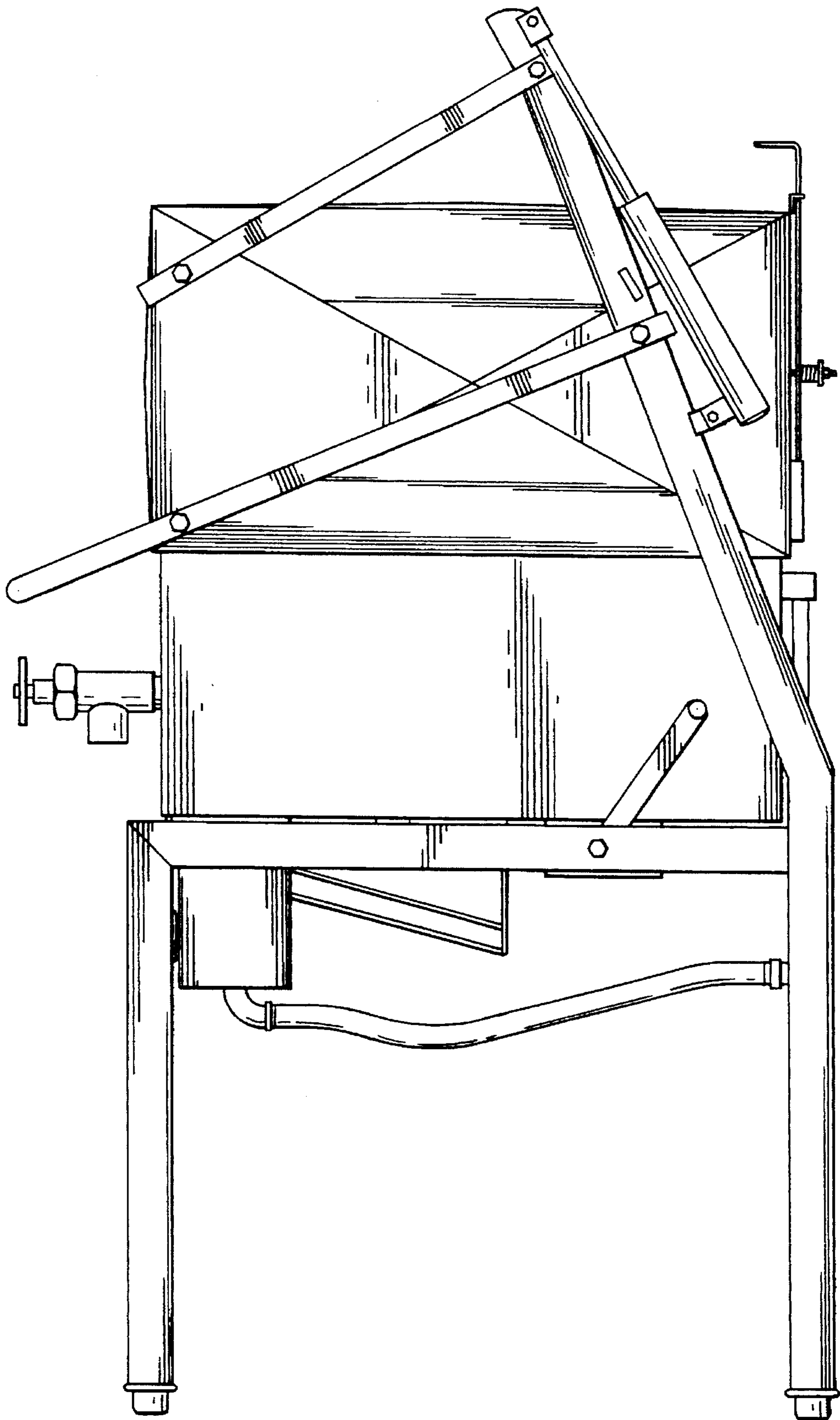


FIG. 5

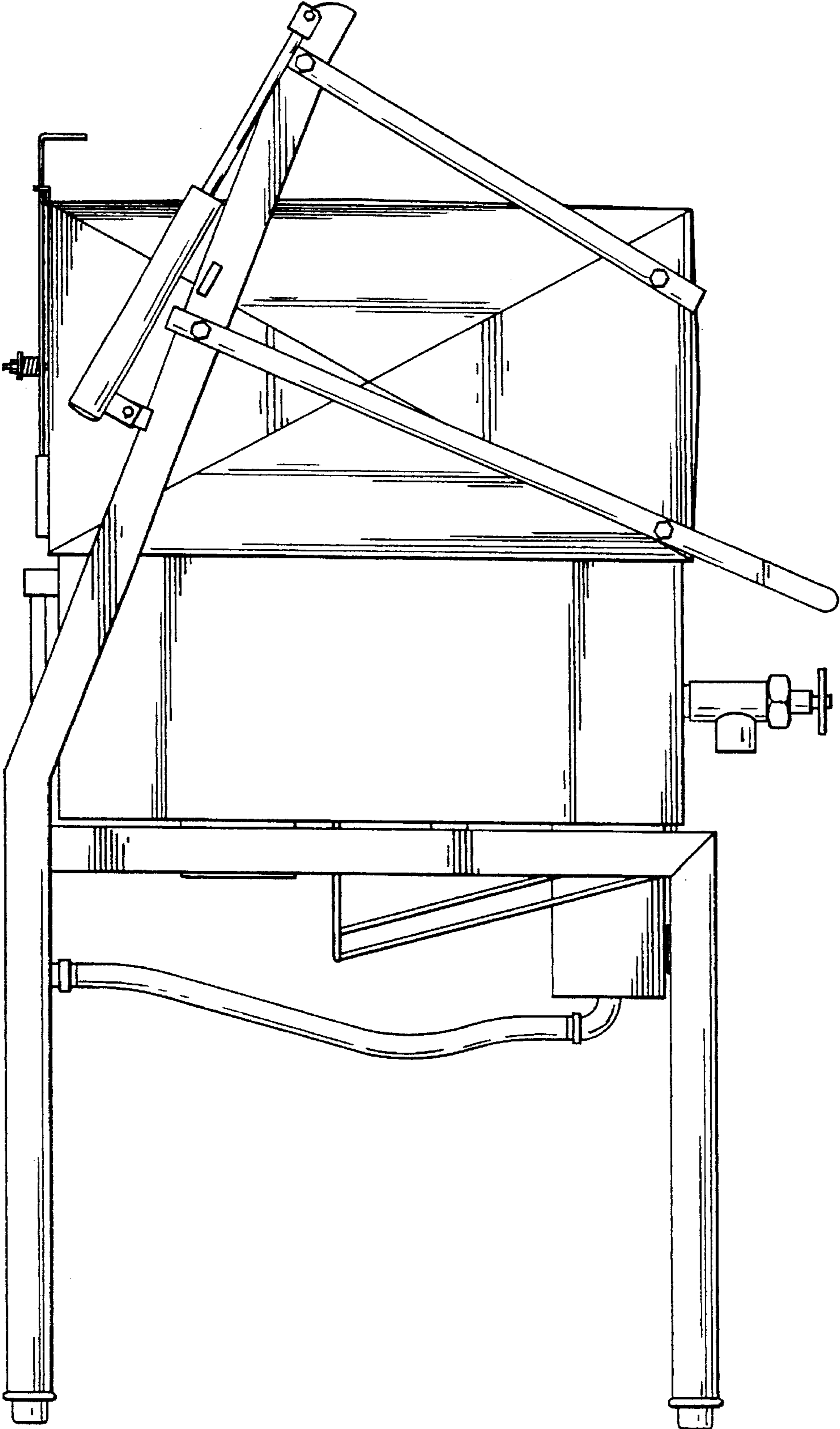


FIG. 6

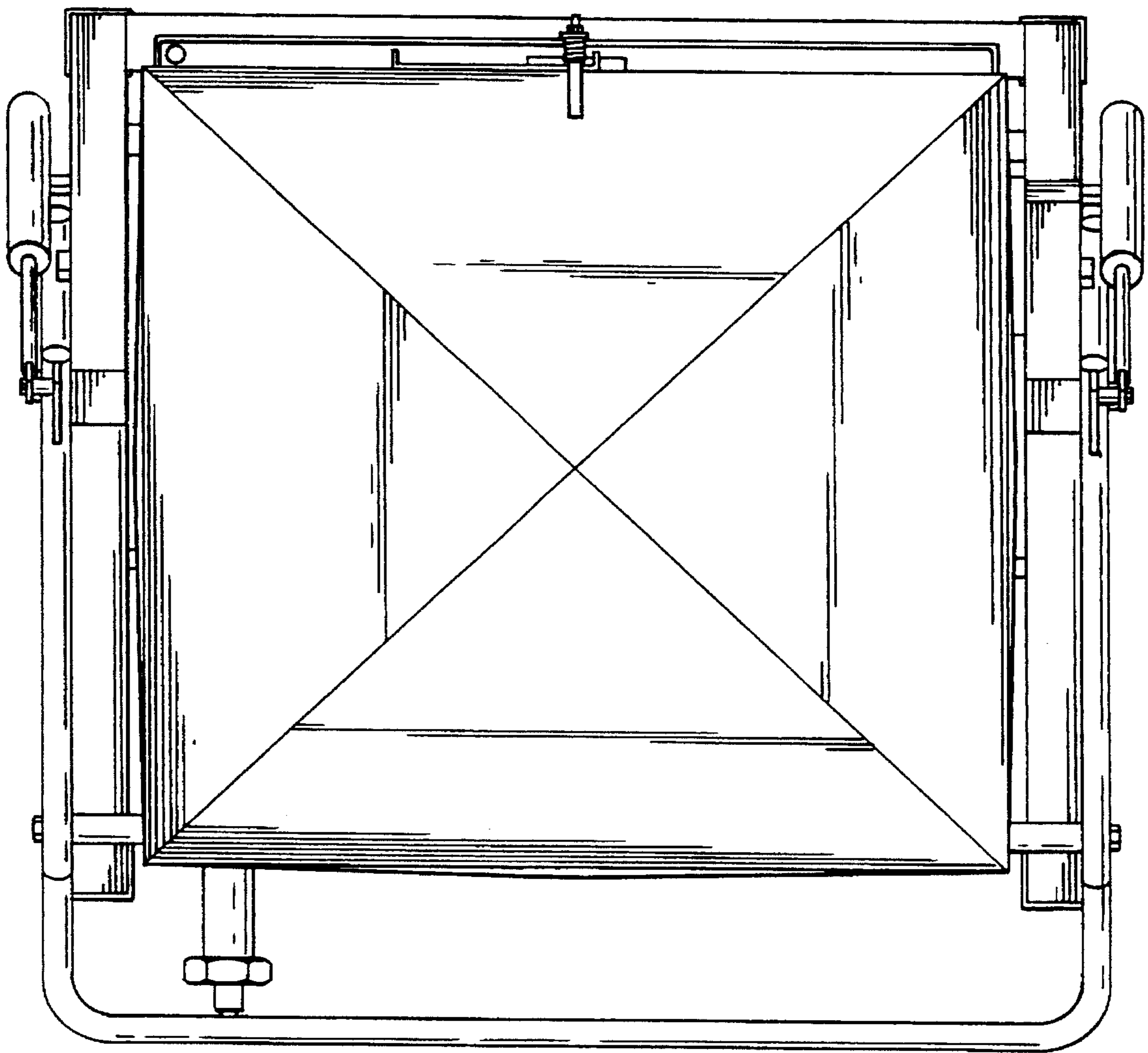


FIG. 7

