



US00D371713S

United States Patent [19]

[11] Patent Number: **Des. 371,713**

Credle, Jr.

[45] Date of Patent: ****Jul. 16, 1996**

[54] **HOUSING FOR A BEVERAGE DISPENSER**

2040531 8/1980 United Kingdom 40/406
02039 2/1994 WIPO D20/3

[75] Inventor: **William S. Credle, Jr.**, Stone Mountain, Ga.

OTHER PUBLICATIONS

[73] Assignee: **The Coca-Cola Company**, Atlanta, Ga.

Dispenser SID650A-80 Restaurants & Institutions Mar. 10, 1988 p. 112.

[**] Term: **14 Years**

Glass Tumbler H 1368 1207, Monongah Glass Co. Catalog p. 43 Apr. 1920.

[21] Appl. No.: **39,735**

Primary Examiner—M. N. Pandozzi

[22] Filed: **Jun. 5, 1995**

Attorney, Agent, or Firm—Birch, Stewart, Kolasch & Birch

[52] U.S. Cl. **D7/301**; D7/308; D7/392

[57] CLAIM

[58] Field of Search D7/311, 300, 301, D7/302, 303, 305, 306, 307, 308, 303, 589, 390, 313, 392, 397, 523; 222/78, 129.1, 129.2, 129.3, 129.4; D20/3; D9/307

The ornamental design of a housing for a beverage dispenser, as shown and described.

DESCRIPTION

[56] References Cited

FIG. 1 is a top, left, front perspective view of a housing for a beverage dispenser showing our new design;

U.S. PATENT DOCUMENTS

FIG. 2 is a front elevational view of the housing for a beverage dispenser of FIG. 1;

- D. 67,557 6/1895 Travis .
- D. 75,151 5/1928 Cordley .
- D. 78,870 6/1929 Wohl D7/301
- D. 82,798 12/1930 Crosby .
- D. 87,246 6/1932 Wagner .
- D. 91,479 2/1934 DuPar D7/301
- D. 169,793 6/1953 Sieling D7/301 X
- D. 227,876 7/1973 Stanley D9/307
- D. 271,877 12/1983 Hoff D9/307
- D. 352,417 11/1994 Petzoske et al. D7/300 X
- D. 362,581 9/1995 Rogers D7/300 X
- 2,991,574 7/1961 Trame .
- 3,499,238 3/1970 Publicker .
- 5,305,924 4/1994 Groover et al. 222/129.1

FIG. 3 is a top plan view of the housing for a beverage dispenser of FIG. 1;

FIG. 4 is a rear elevational view of the housing for a beverage dispenser of FIG. 1;

FIG. 5 is a bottom plan view of the housing for a beverage dispenser of FIG. 1; and,

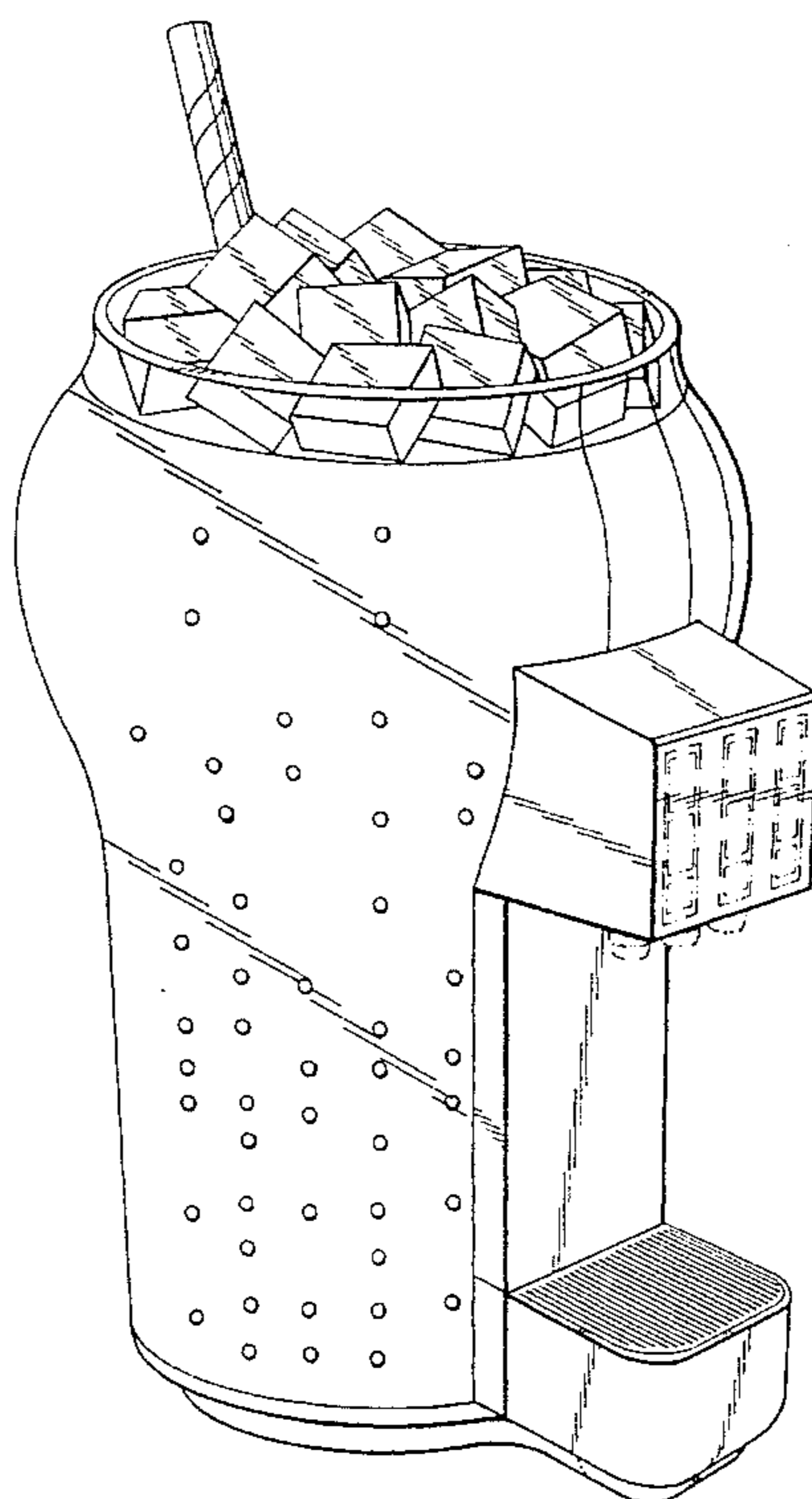
FIG. 6 is a left side elevational view of a the housing for a beverage dispenser of FIG. 1, the right side elevational view being a mirror image thereof.

The broken line showing of a control panel pads and three spouts in FIGS. 1 and 2, and spout in FIG. 6 are for illustrative purposes only and forms no part of the claimed design.

FOREIGN PATENT DOCUMENTS

3-273481 12/1991 Japan .

1 Claim, 4 Drawing Sheets



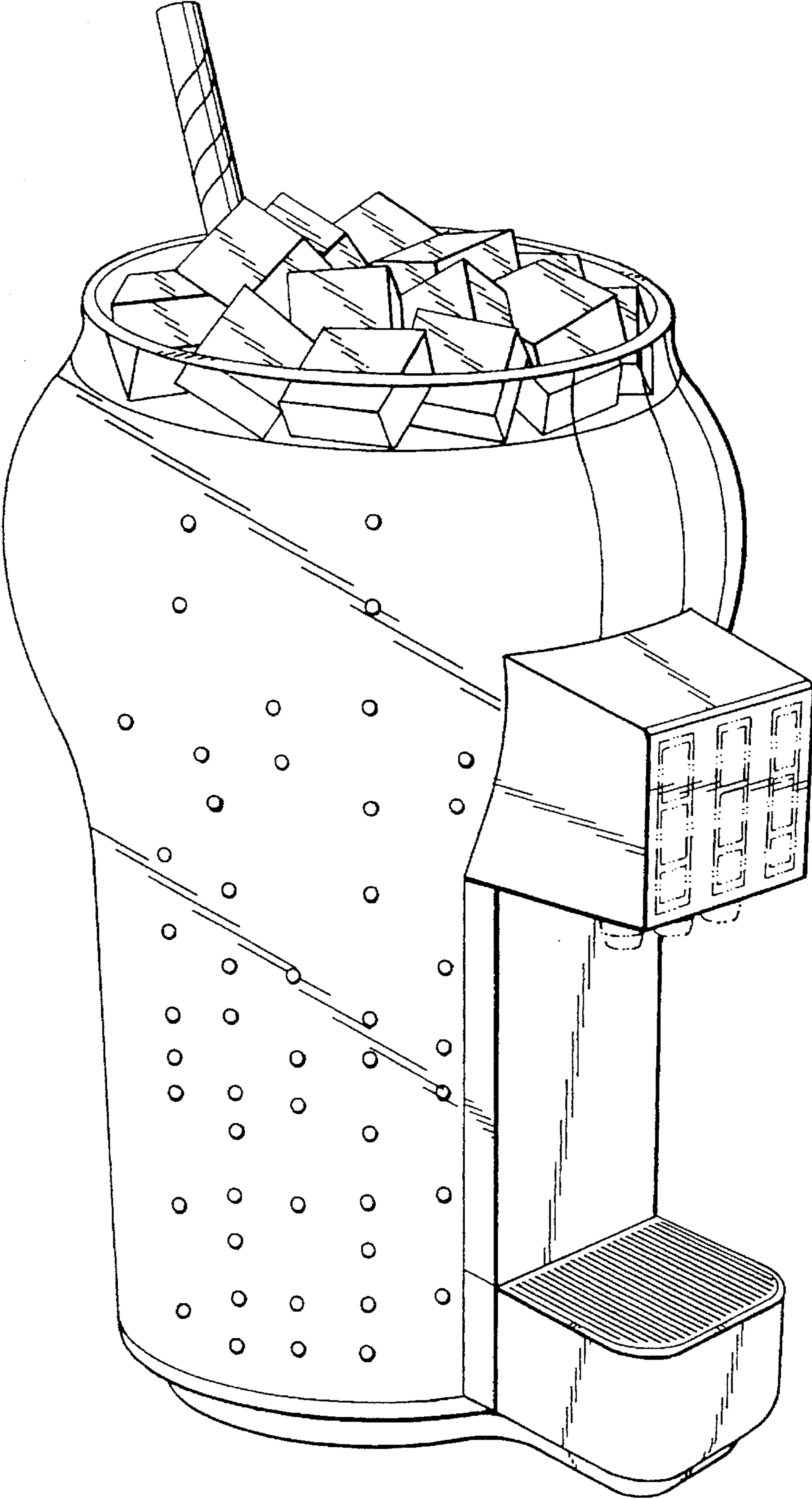


FIG 1

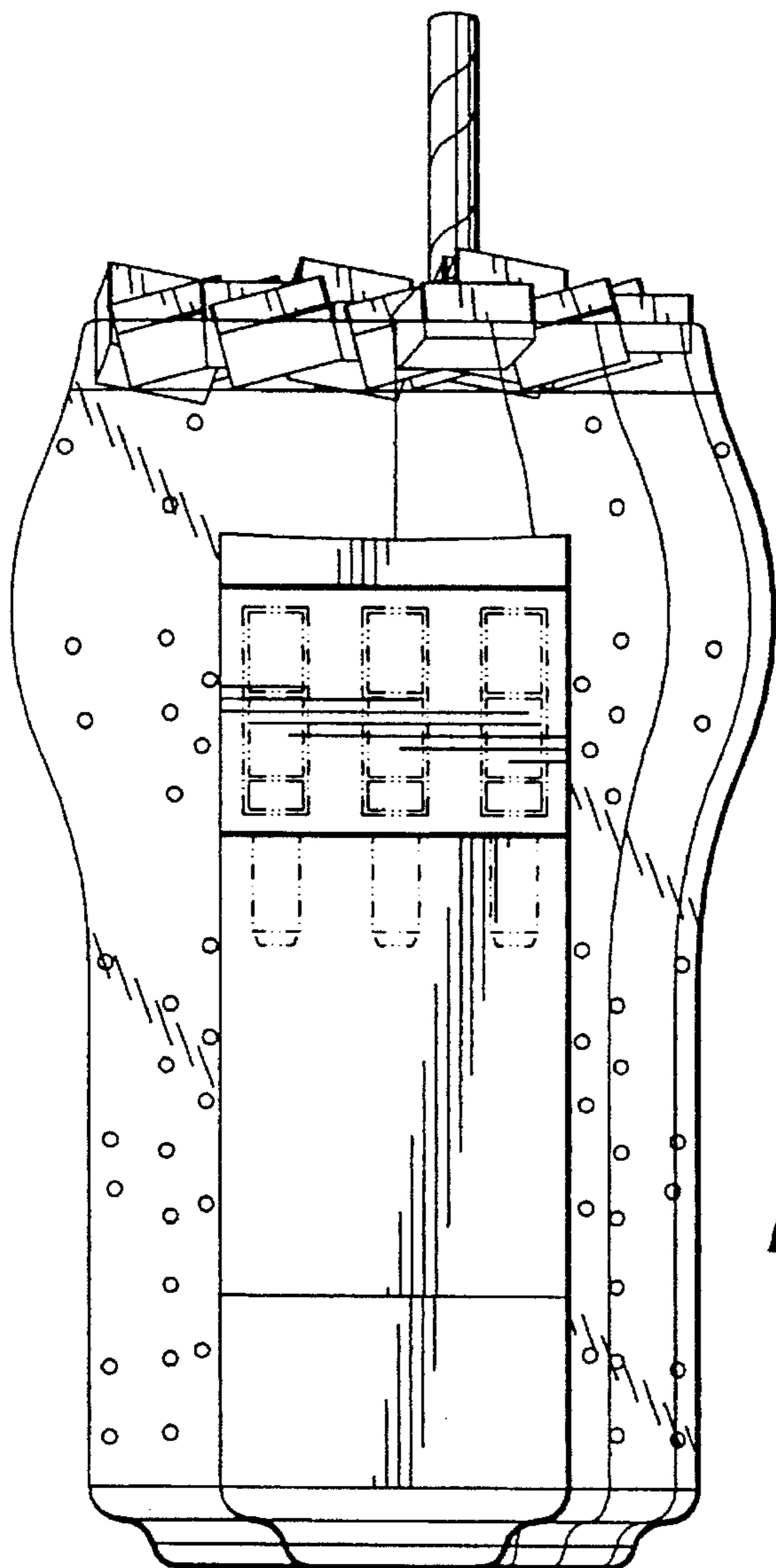


FIG 2

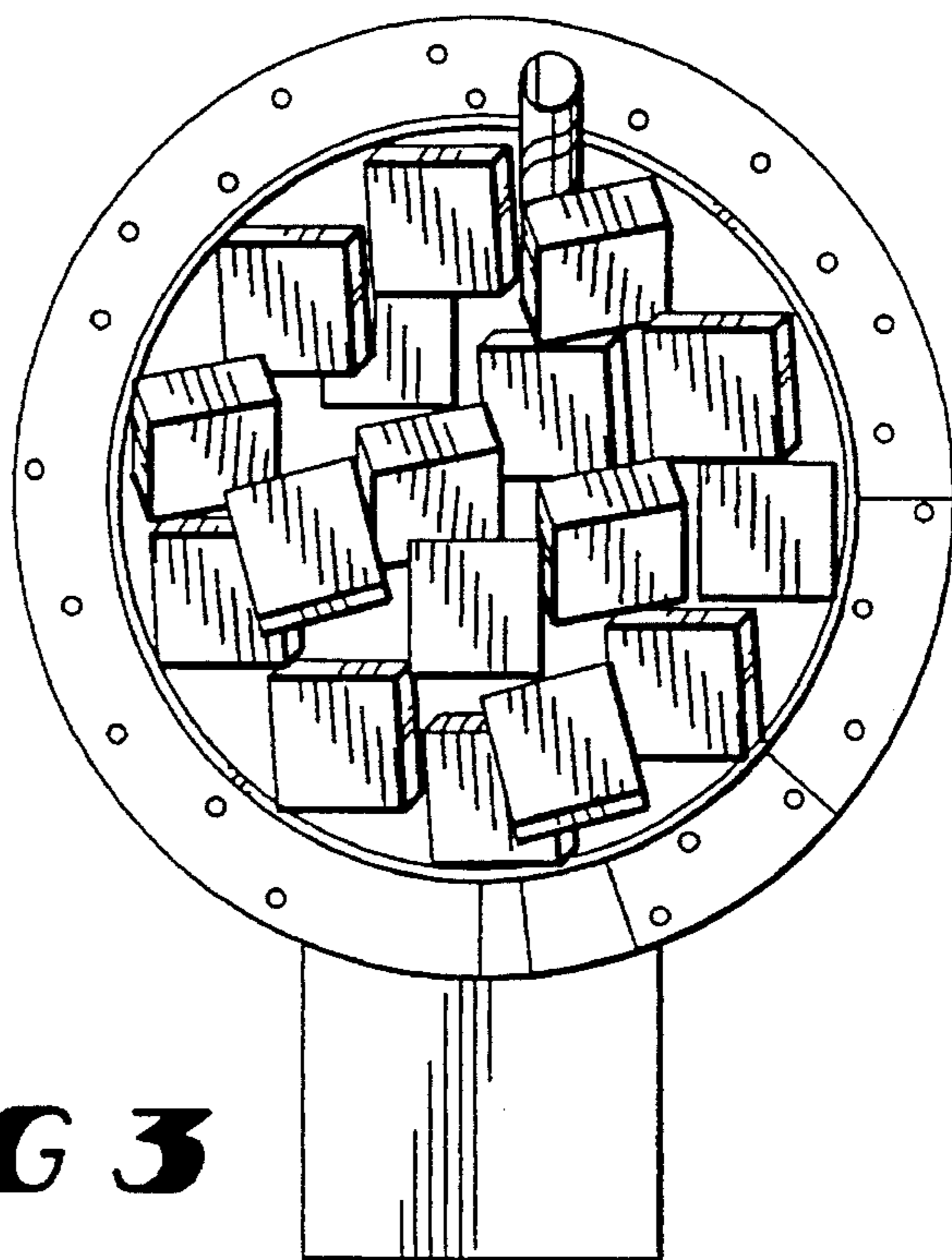


FIG 3

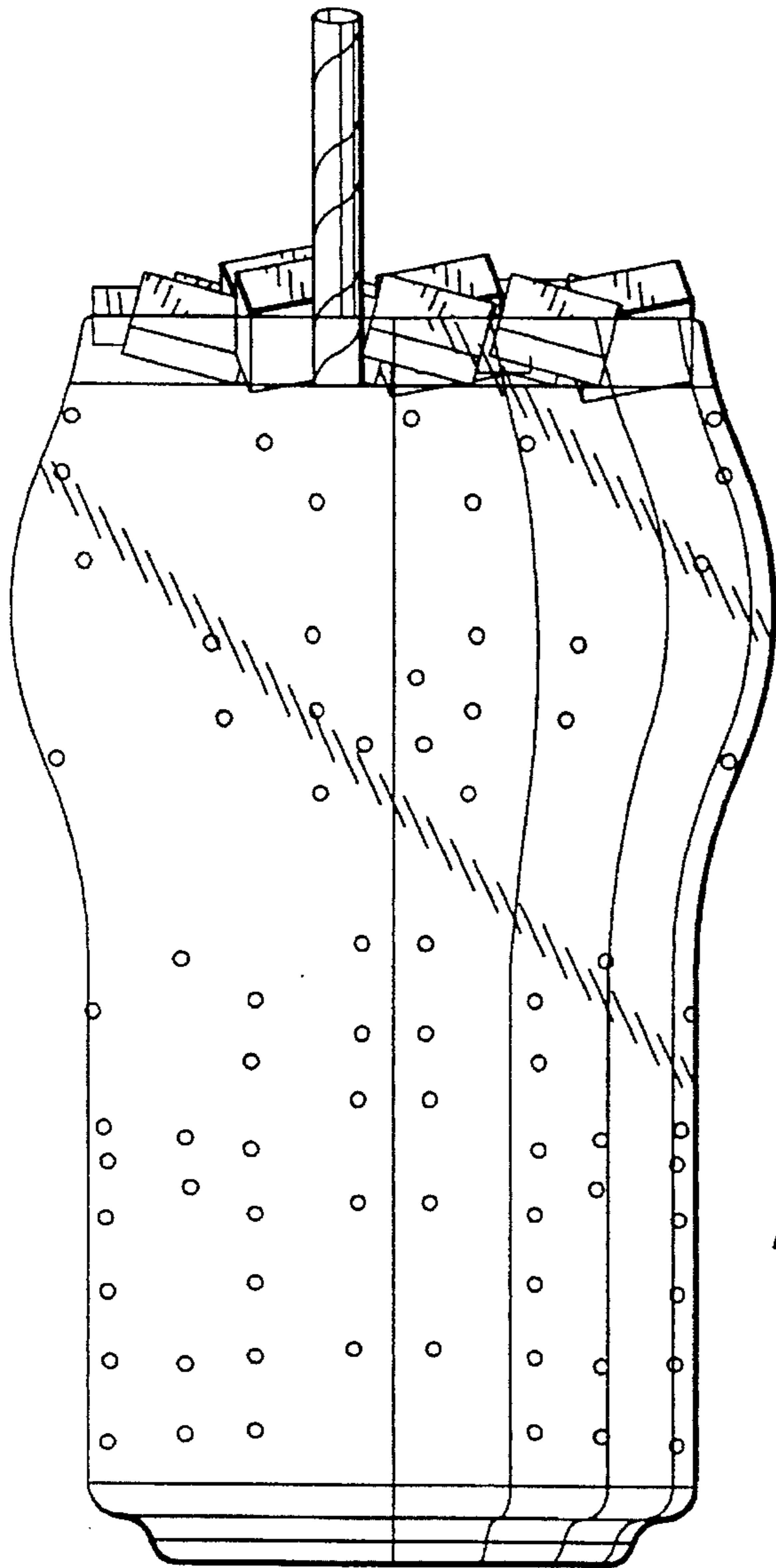


FIG 4

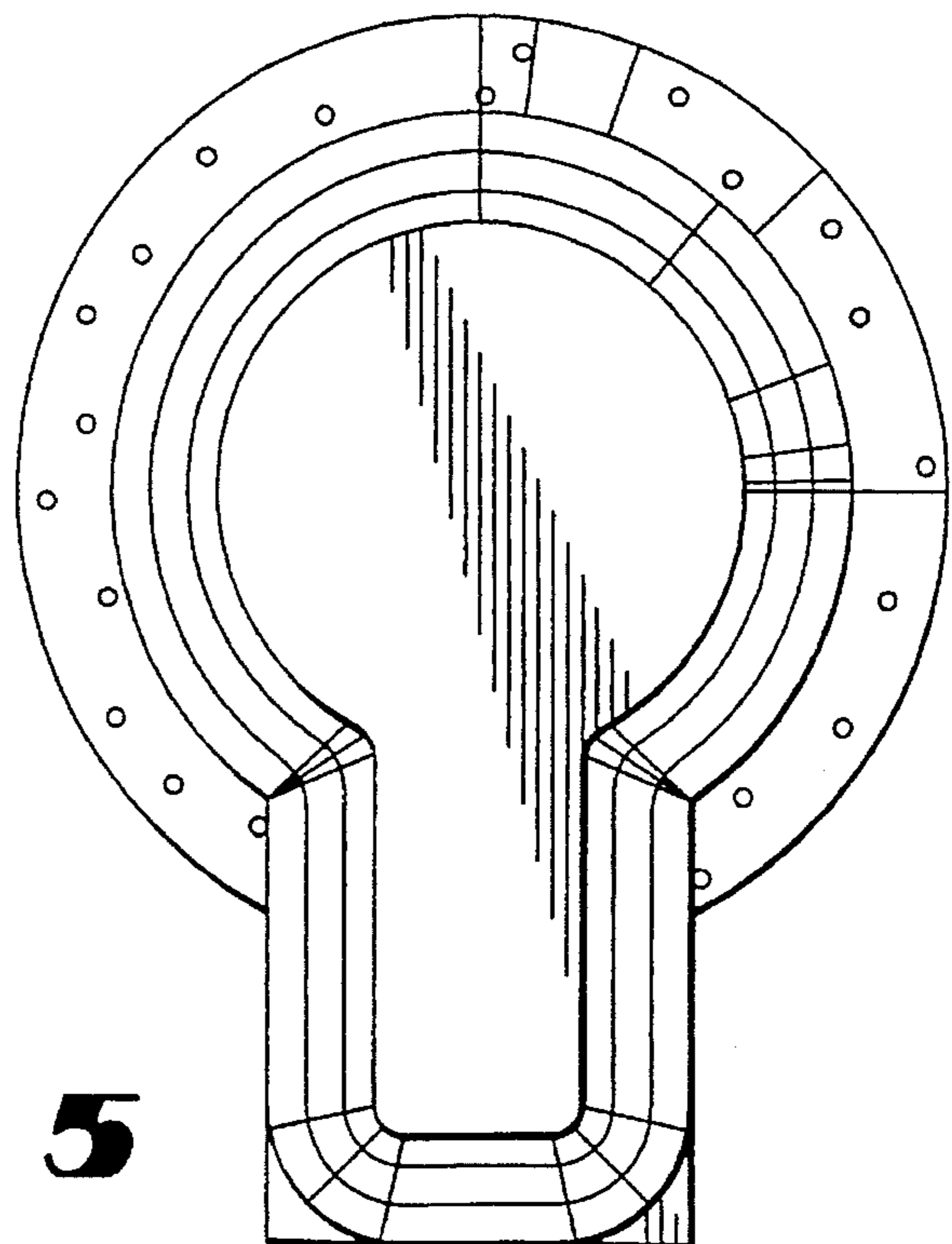


FIG 5

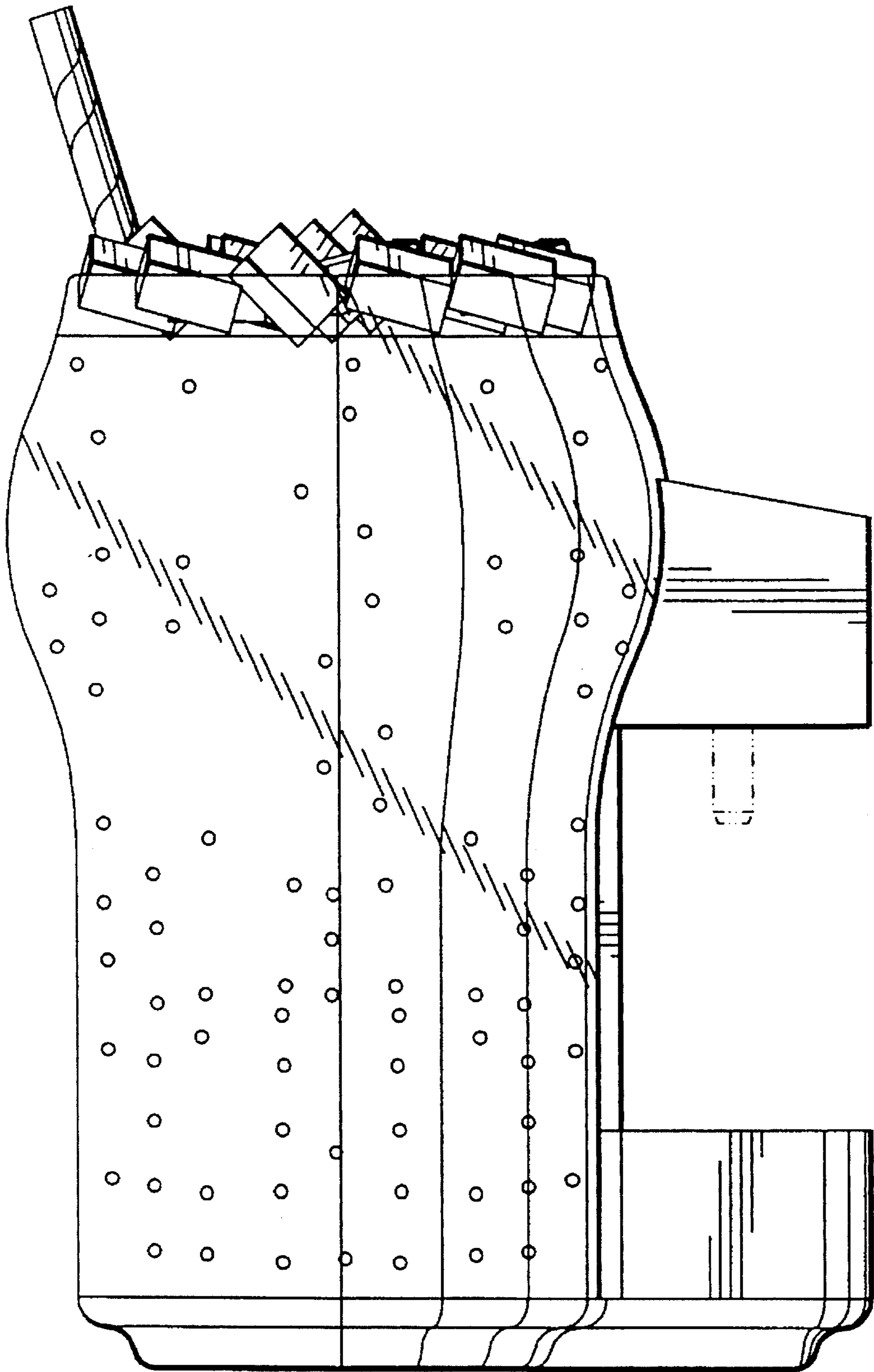


FIG 6