



US00D371711S

# United States Patent [19] Clark

[11] **Patent Number:** **Des. 371,711**  
[45] **Date of Patent:** **\*\*Jul. 16, 1996**

[54] **WINDOW SHADE**  
[76] **Inventor:** **Willie Clark, 1742 Walker St., Augusta, Ga. 30904**  
[\*\*] **Term:** **14 Years**  
[21] **Appl. No.:** **34,176**  
[22] **Filed:** **Jan. 30, 1995**  
[52] **U.S. Cl. ....** **D6/575; D6/491; D12/191**  
[58] **Field of Search ....** **D6/491, 575; D12/191; 160/84.07, 134, 330; 296/97.7**

1,263,030 4/1918 Brown et al. .... 296/97.7  
2,744,382 5/1956 Sokol et al. .... 160/368.1 X  
4,351,557 9/1982 Chary .... 296/97.7  
4,842,322 6/1989 Iu .... 296/97.7

*Primary Examiner*—Gary D. Watson  
*Attorney, Agent, or Firm*—Harpman & Harpman

### [57] CLAIM

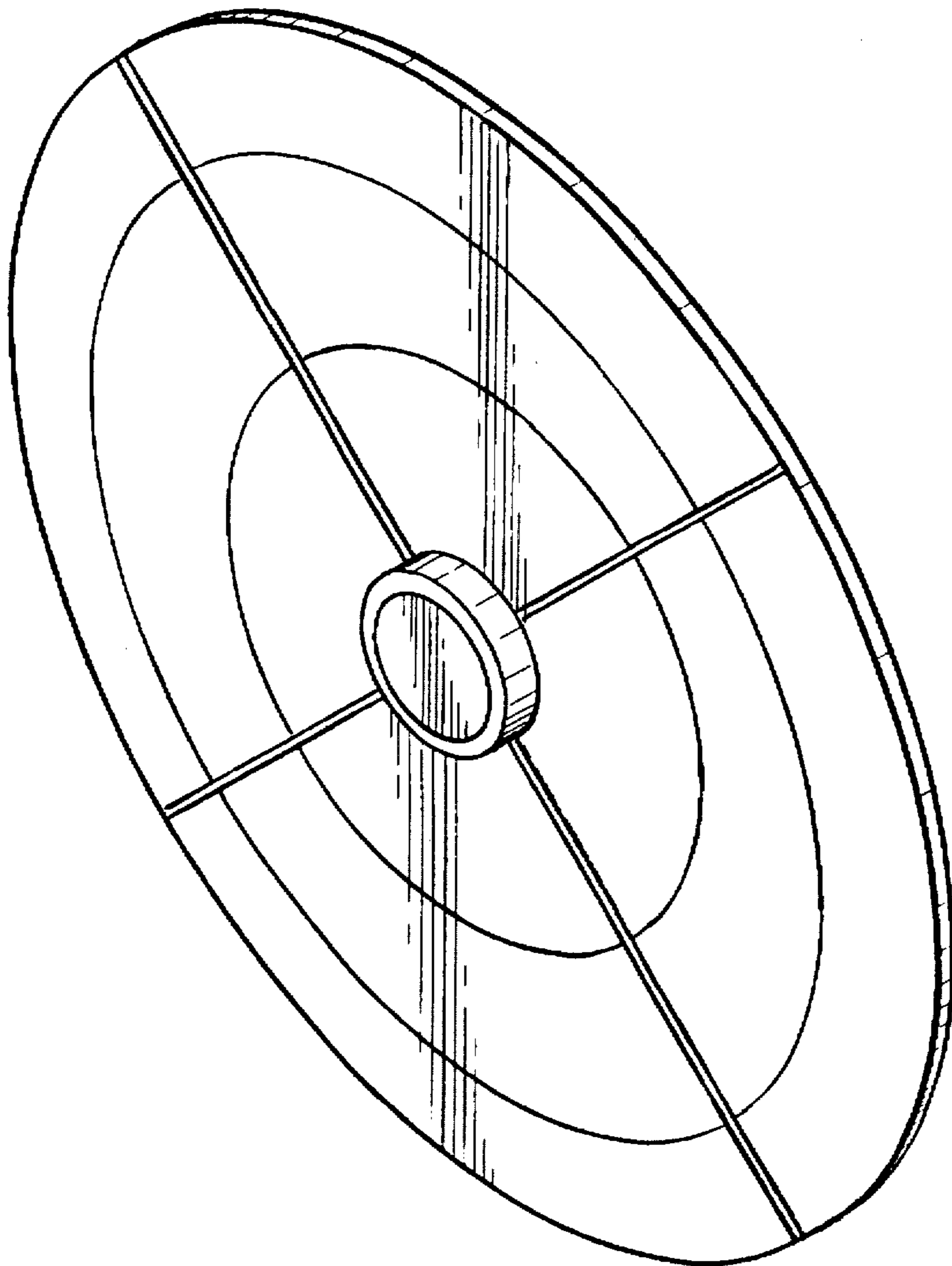
The ornamental design for a window shade, as shown and described.

### DESCRIPTION

FIG. 1 is a front, top and side perspective view of the window shade embodying the design of the present invention;  
FIG. 2 is a front elevational view thereof;  
FIG. 3 is a rear elevational view thereof; and,  
FIG. 4 is a top plan view thereof, the side opposite being a mirror image of the side shown in FIG. 4.

[56] **References Cited**  
**U.S. PATENT DOCUMENTS**  
D. 212,532 10/1968 Gorgei ..... D12/191 X  
D. 302,673 8/1989 Butler ..... D12/191  
D. 330,653 11/1992 Zheng ..... D6/491  
D. 353,737 12/1994 Bussert ..... D6/575  
D. 355,631 2/1995 Lederhos et al. .... D12/191  
1,097,295 5/1914 Brown et al. .... 296/97.7  
1,158,005 10/1915 Richards, Jr. .... 296/97.7

**1 Claim, 3 Drawing Sheets**



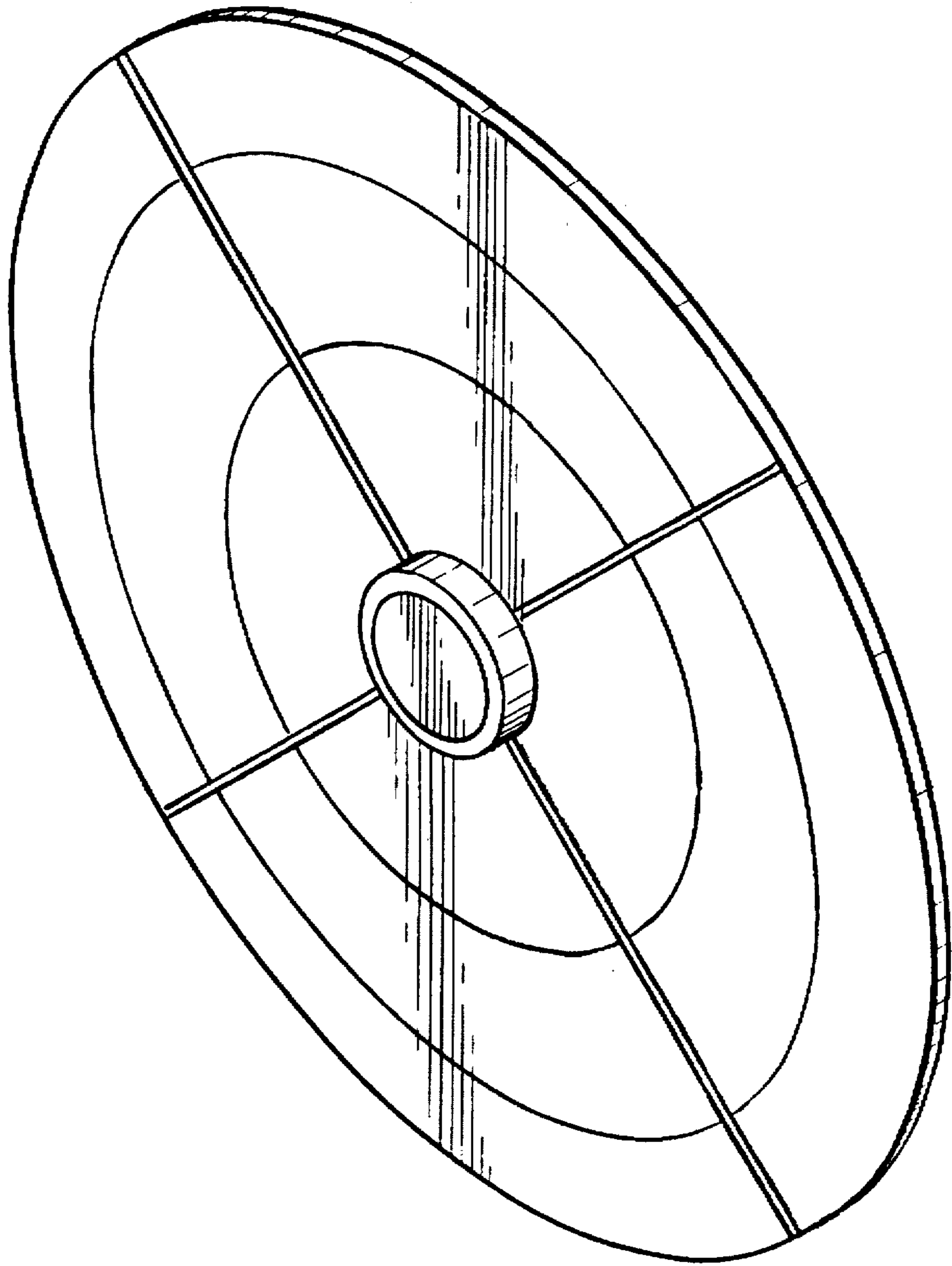


FIG. 1

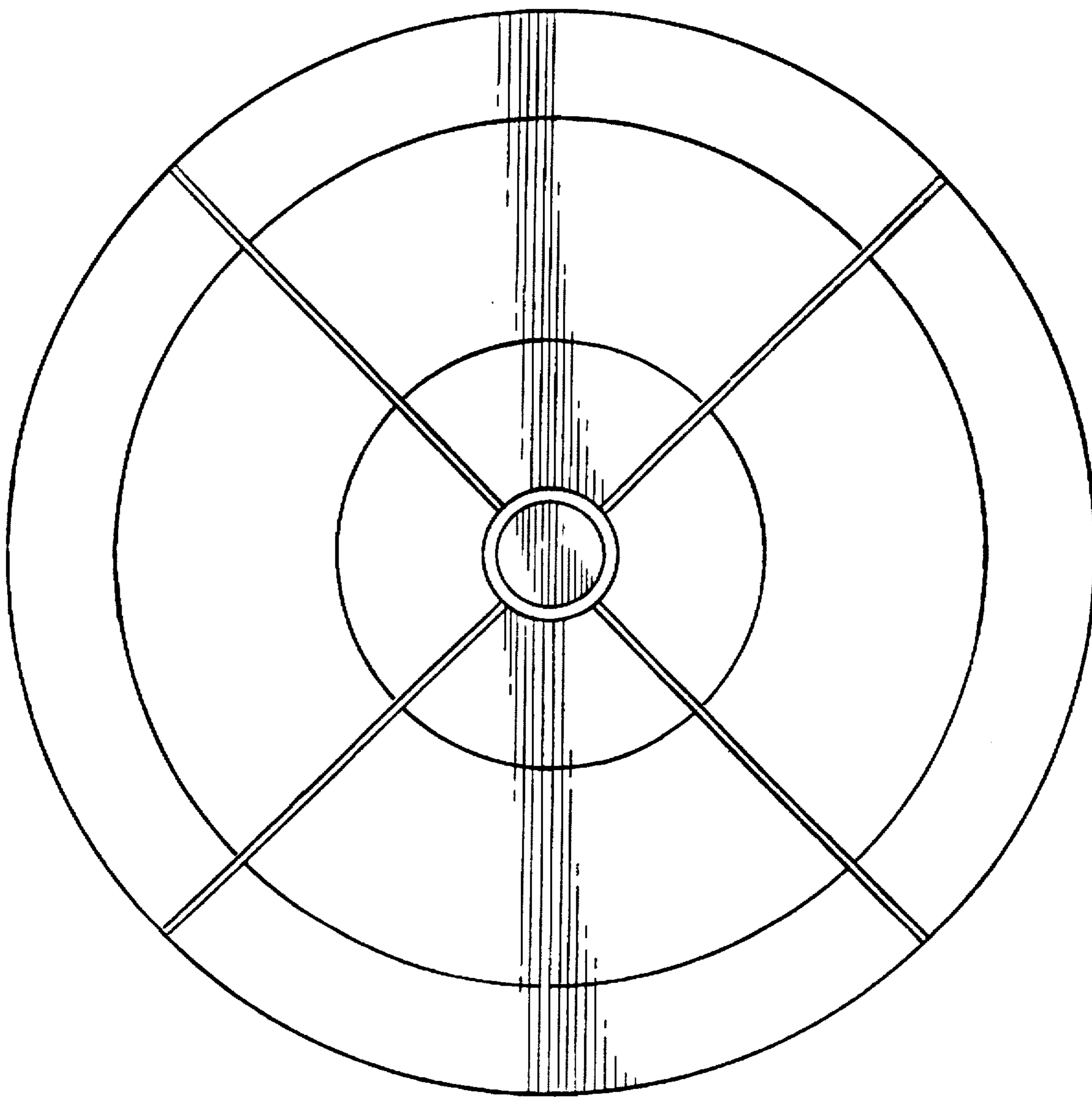


FIG. 2

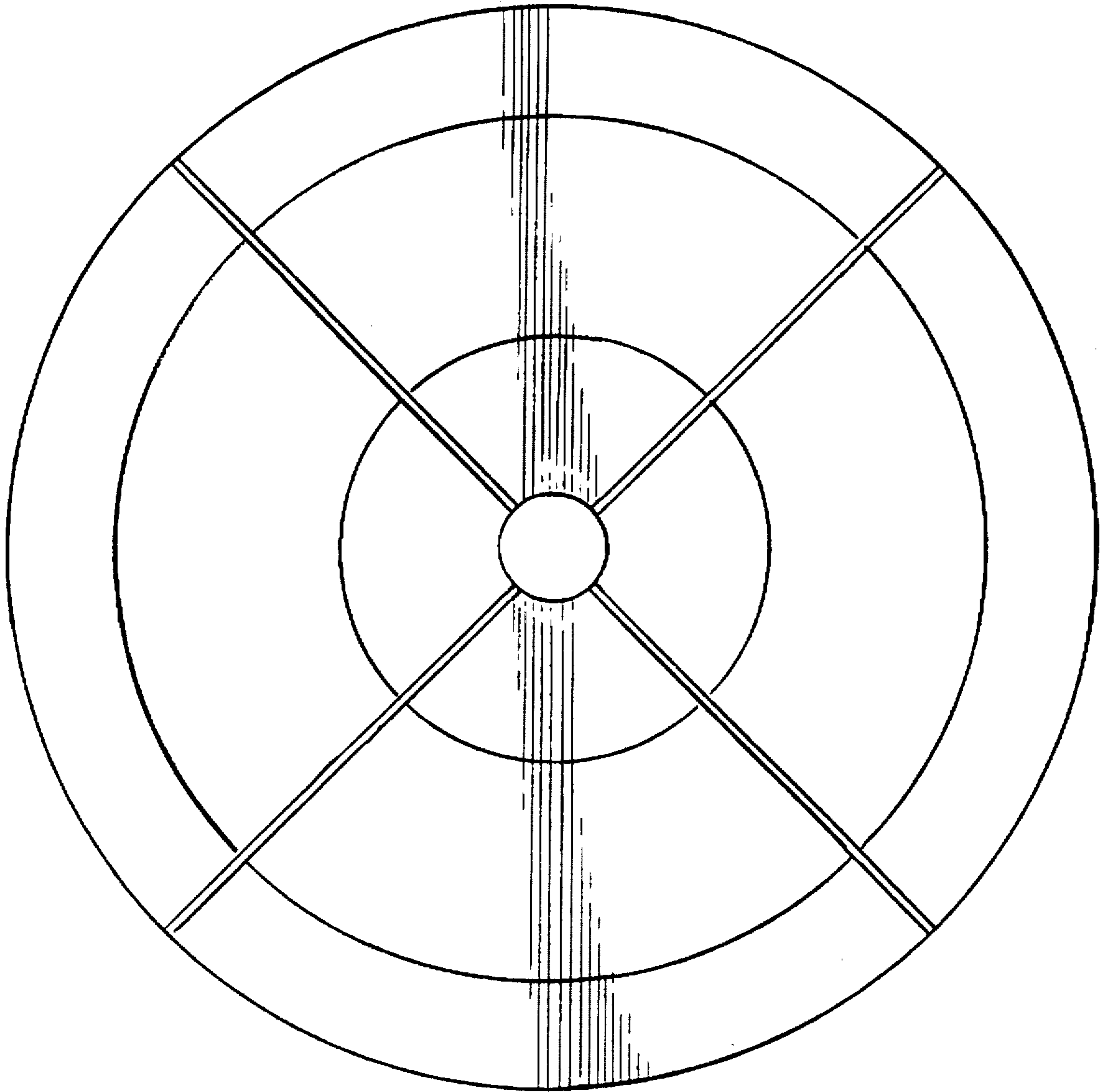


FIG. 3

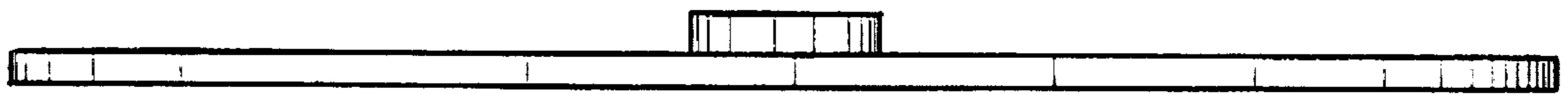


FIG. 4