



US00D371707S

United States Patent [19] Miles

[11] Patent Number: **Des. 371,707**

[45] Date of Patent: ****Jul. 16, 1996**

[54] **DISPENSER FOR SANITARY PRODUCTS**

[76] Inventor: **Mary A. Miles**, 1533 Winslowe Dr.
Apt. 3A, Palatine, Ill. 60067

[**] Term: **14 Years**

[21] Appl. No.: **38,284**

[22] Filed: **May 4, 1995**

[52] U.S. Cl. **D6/515**

[58] Field of Search D6/515-517; 211/45.1,
211/86-87; 221/26, 33, 45, 282; 312/34.1,
34.4, 42, 80

[56] **References Cited**

U.S. PATENT DOCUMENTS

| | | | | |
|------------|--------|-----------|-------|--------|
| D. 263,354 | 3/1982 | Jones | | D6/515 |
| D. 276,960 | 1/1985 | Dunn | | D6/515 |
| D. 305,588 | 1/1990 | Behringer | | D6/517 |
| D. 309,067 | 7/1990 | Arrias | . | |
| D. 309,224 | 7/1990 | Rabin | . | |

| | | | | |
|------------|--------|-----------|-------|---------|
| D. 309,996 | 8/1990 | Gearing | . | |
| D. 347,344 | 5/1994 | Schumaker | | D6/515 |
| 3,445,037 | 5/1969 | Rothbaum | | 211/196 |

Primary Examiner—Brian N. Vinson
Attorney, Agent, or Firm—Terry M. Gernstein

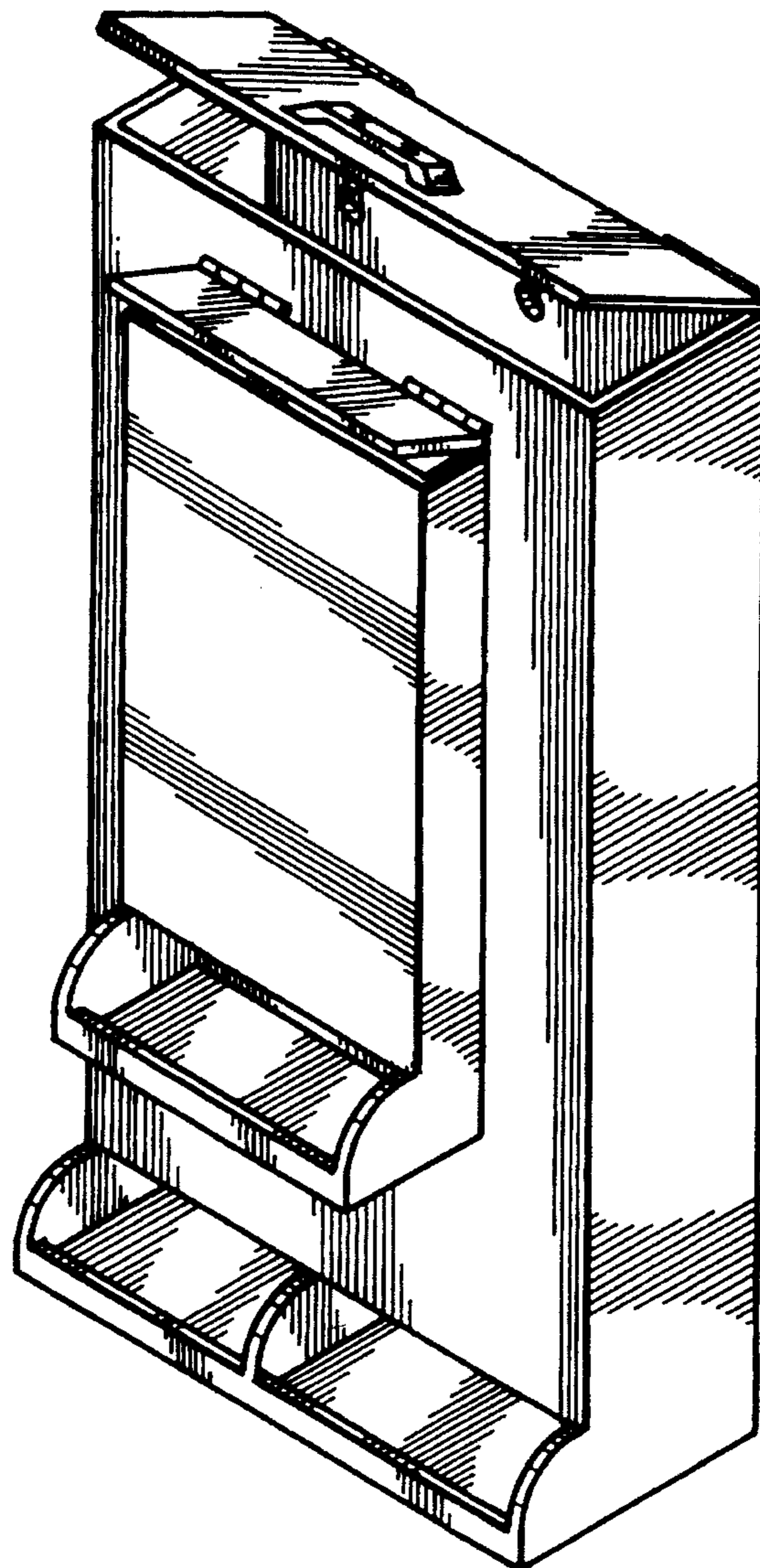
[57] **CLAIM**

The ornamental design for a dispenser for sanitary products, as shown and described.

DESCRIPTION

FIG. 1 is a front, top and side perspective view of the dispenser for sanitary products showing my new design; FIG. 2 is a front elevational view thereof; FIG. 3 is a rear elevational view thereof; FIG. 4 is a side elevational view thereof, the side opposite being a mirror image of the side shown in FIG. 4; FIG. 5 is a top plan view thereof; and, FIG. 6 is a bottom plan view thereof.

1 Claim, 3 Drawing Sheets



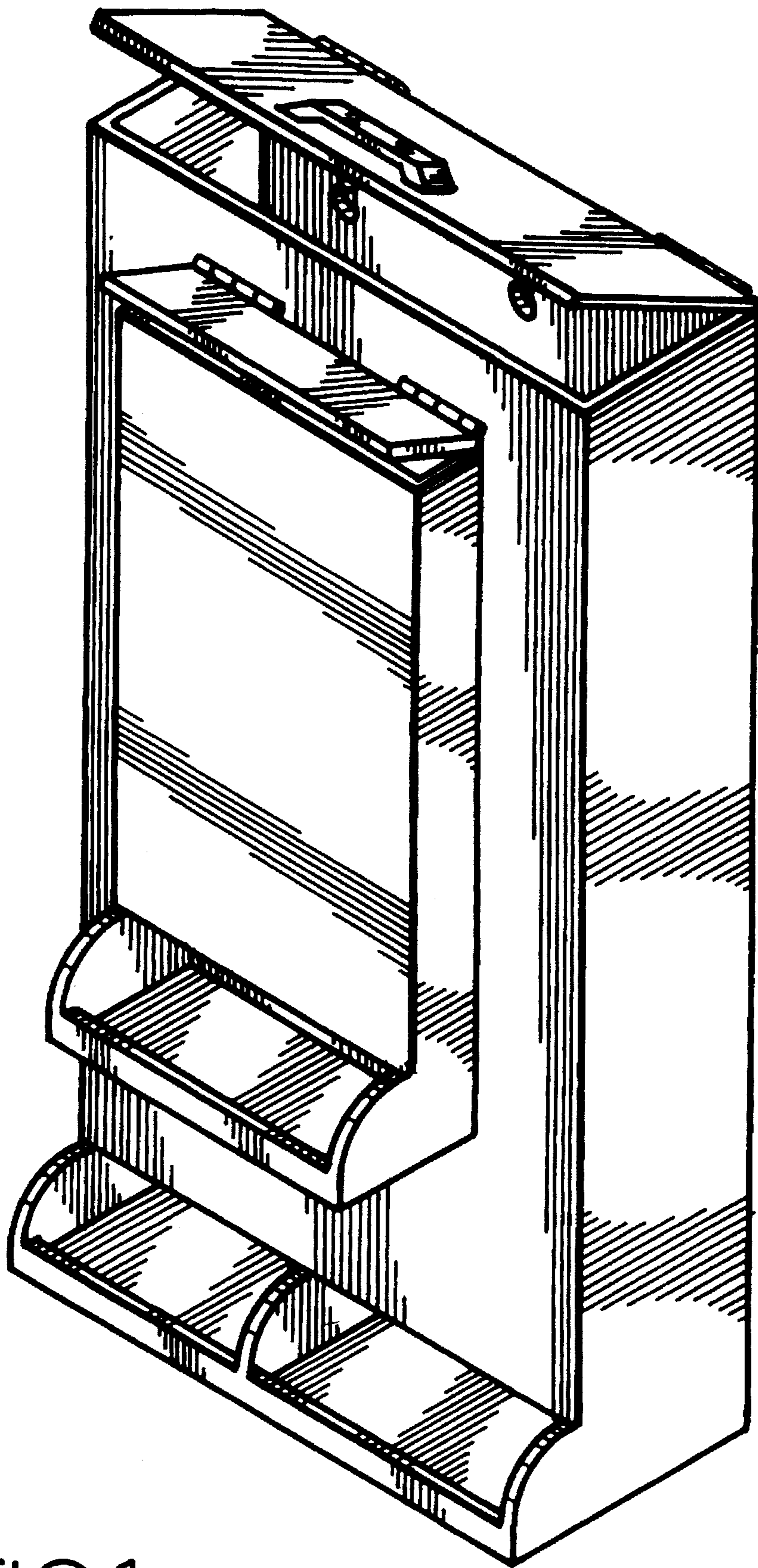


FIG.1.

FIG. 4.

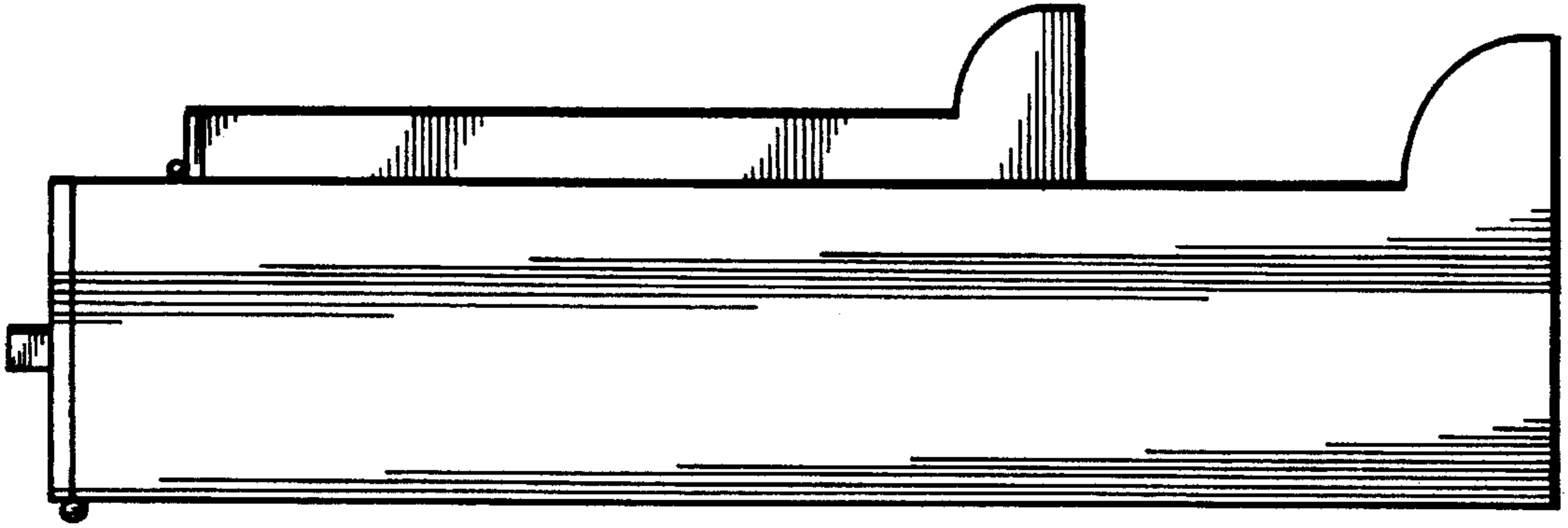
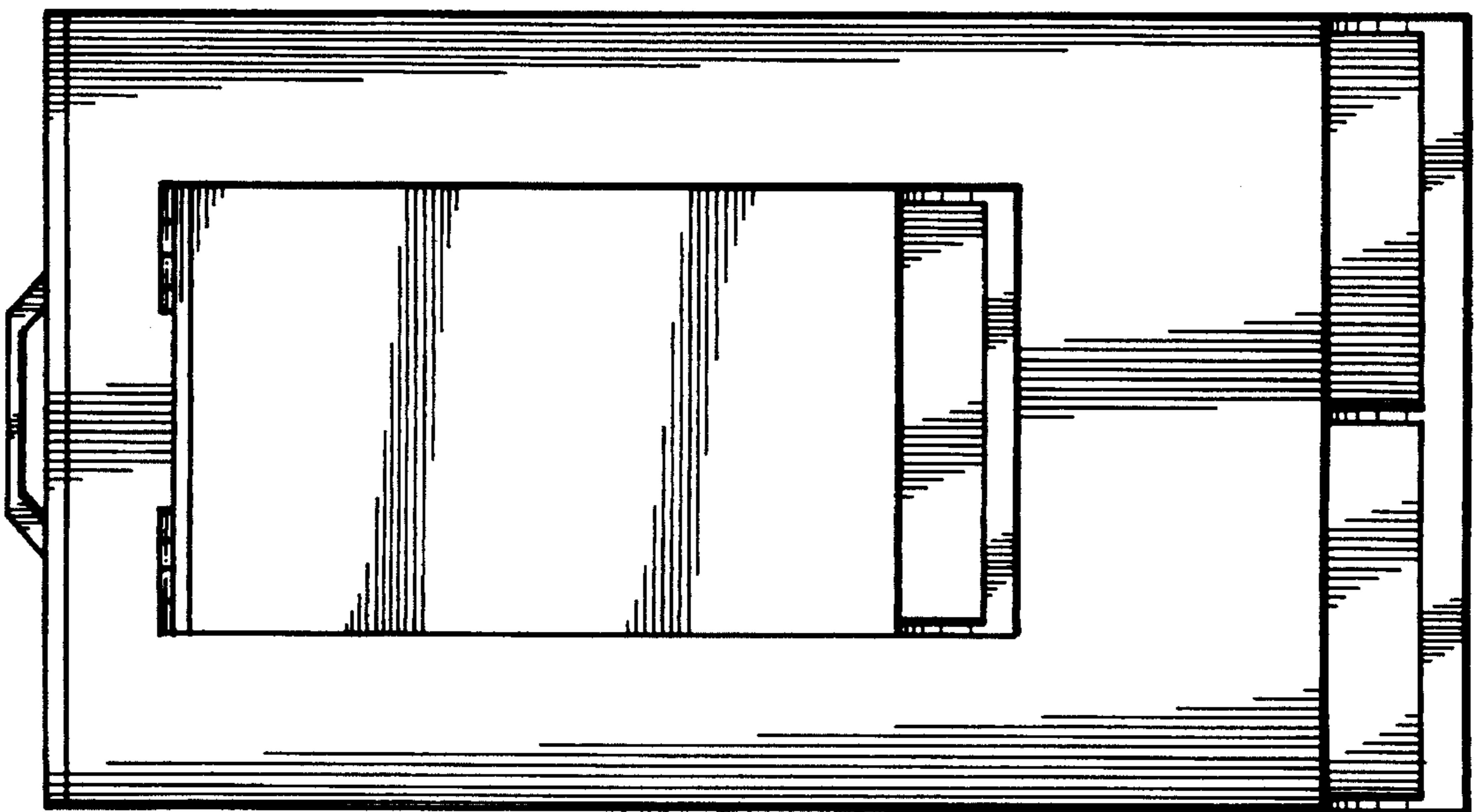


FIG. 2.



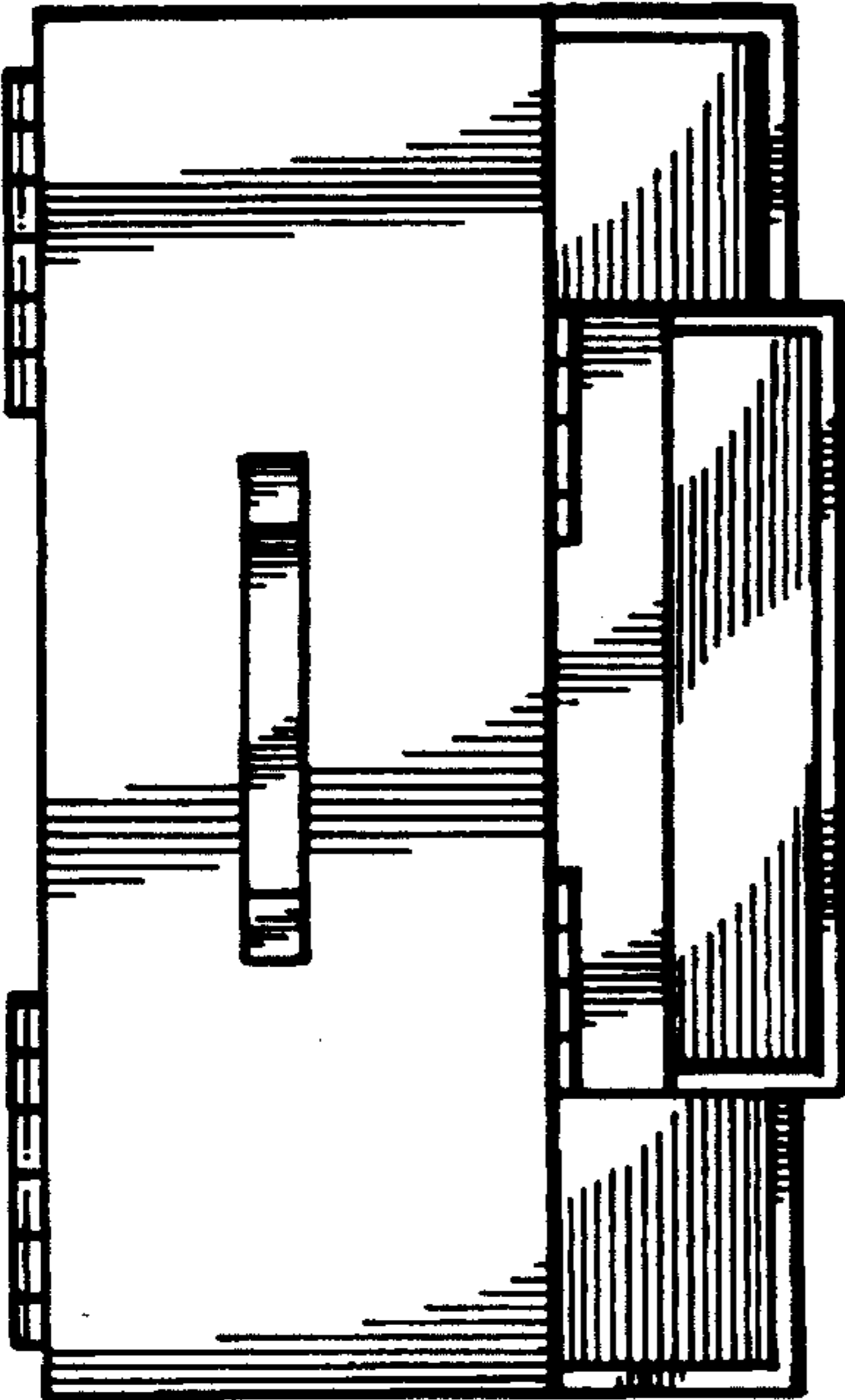


FIG. 5.

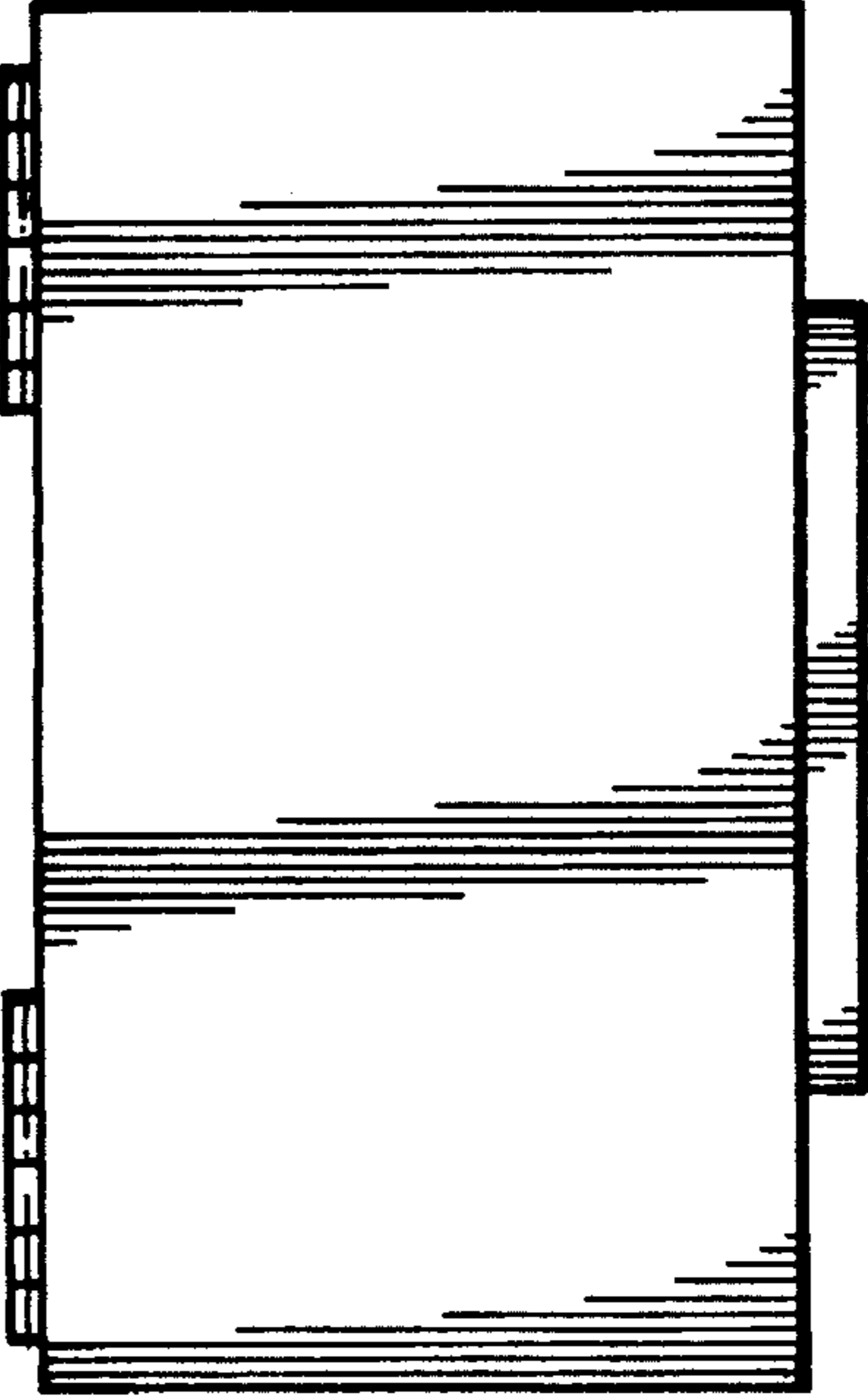


FIG. 6.

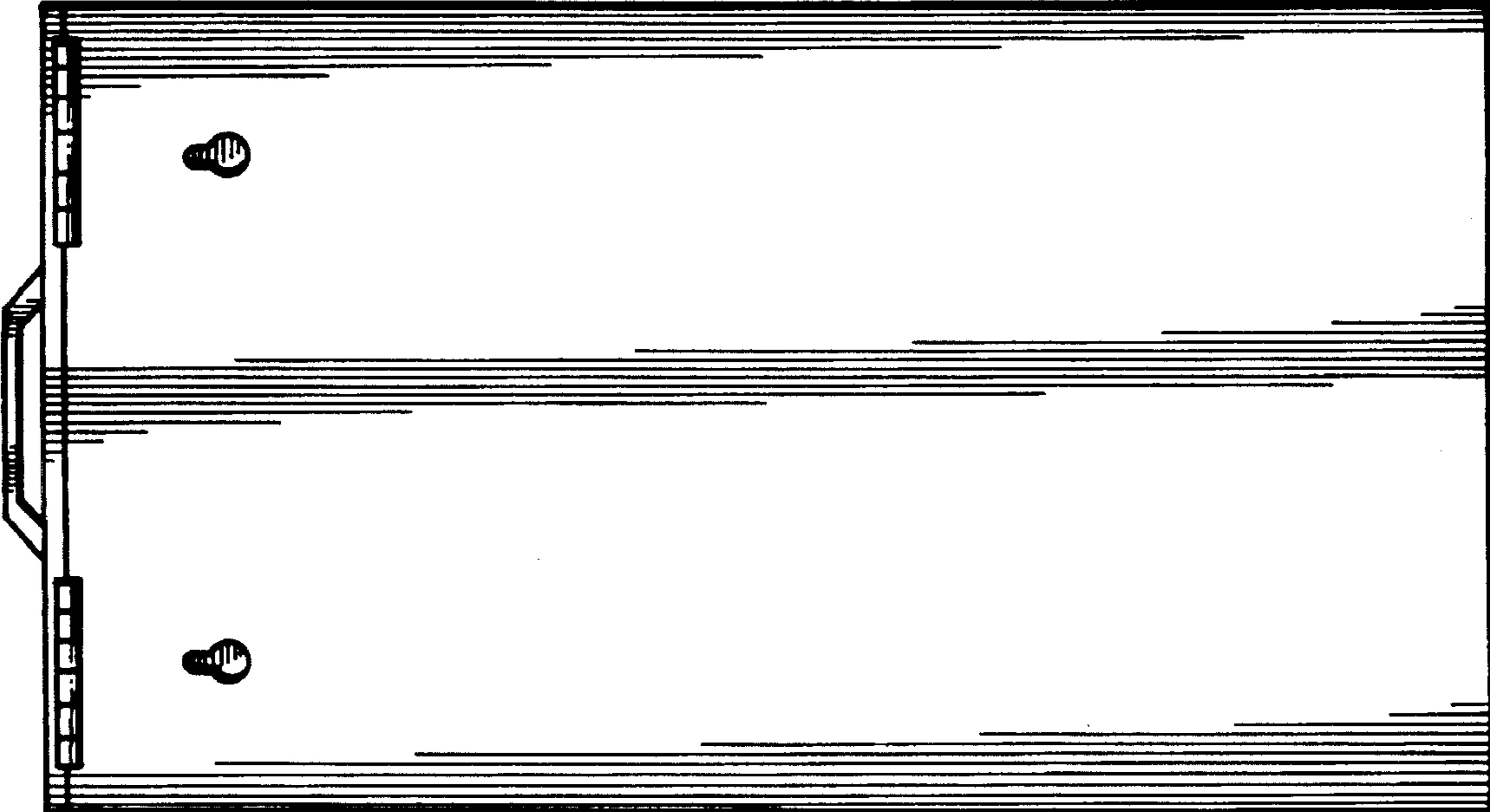


FIG. 3.