



US00D371701S

United States Patent [19]

[11] Patent Number: **Des. 371,701**

Jolly

[45] Date of Patent: ****Jul. 16, 1996**

[54] **DESK**

D. 359,634 6/1995 Diekman D6/428

[76] Inventor: **Patrick Jolly**, La Rousselière - Saligny,
85170 Belleville Sur Vie, France

Primary Examiner—Carmen H. Vales-Lado
Attorney, Agent, or Firm—Milton Gerstein; Marvin Benn

[**] Term: **14 Years**

[57] **CLAIM**

[21] Appl. No.: **31,604**

The ornamental design for a desk, as shown and described.

[22] Filed: **Nov. 30, 1994**

DESCRIPTION

[30] **Foreign Application Priority Data**

FIG. 1 is a perspective view of a desk showing my new design;

May 31, 1994 [WO] WIPO DM/029716

FIG. 2 is a front elevational view, the rear view being identical thereto;

[52] U.S. Cl. **D6/484; D6/422; D6/427**

FIG. 3 is a side elevational view, the opposite view being identical thereto;

[58] Field of Search D6/422-428, 484,
D6/485, 480; 312/194-196

FIG. 4 is a top plan view thereof;

FIG. 5 is a bottom plan view thereof;

[56] **References Cited**

U.S. PATENT DOCUMENTS

FIG. 6 is a perspective view of a second embodiment of a desk shown in FIG. 1;

FIG. 7 is a front elevational view thereof;

FIG. 8 is a left side elevational view, the right side being a mirror image thereof;

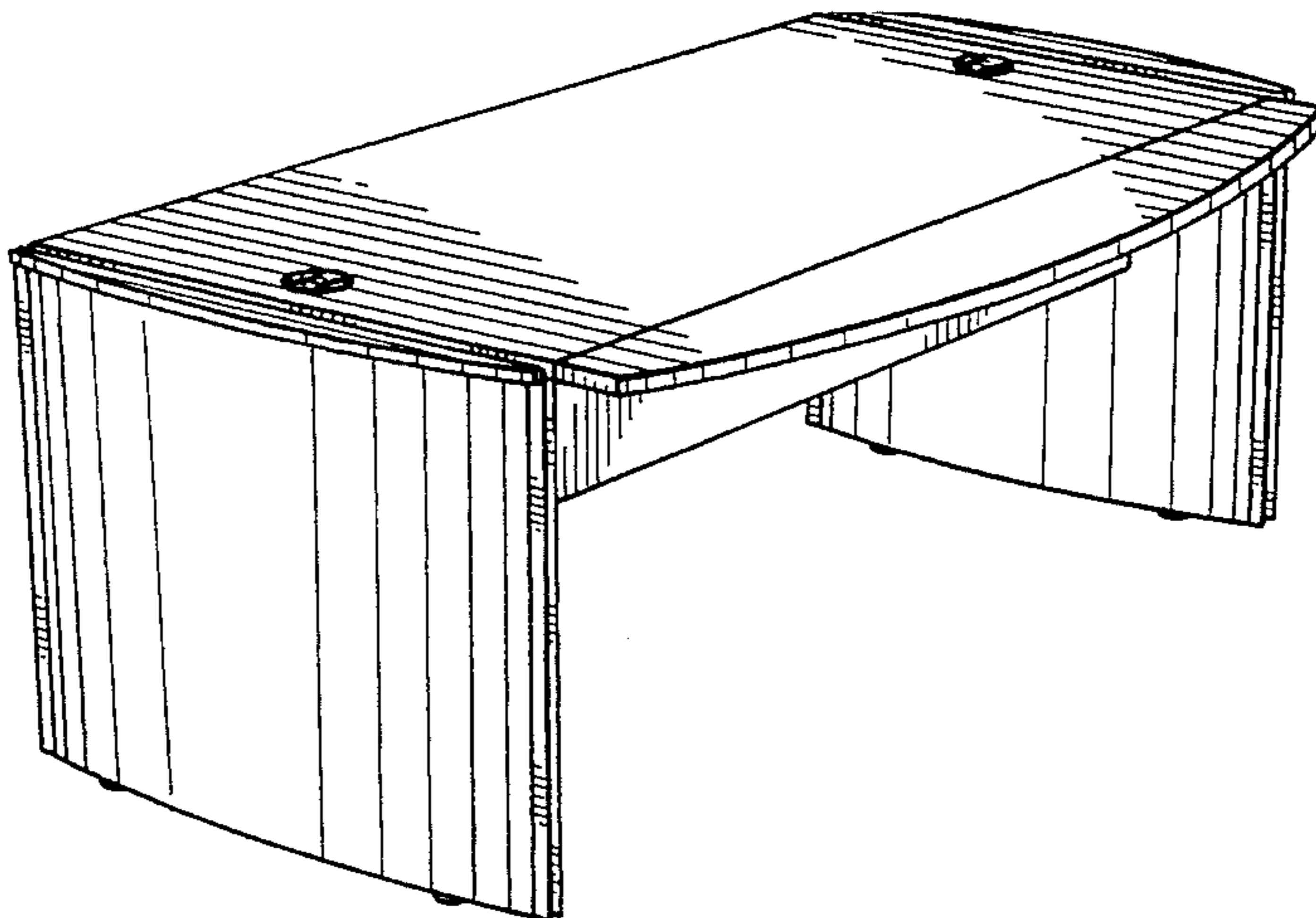
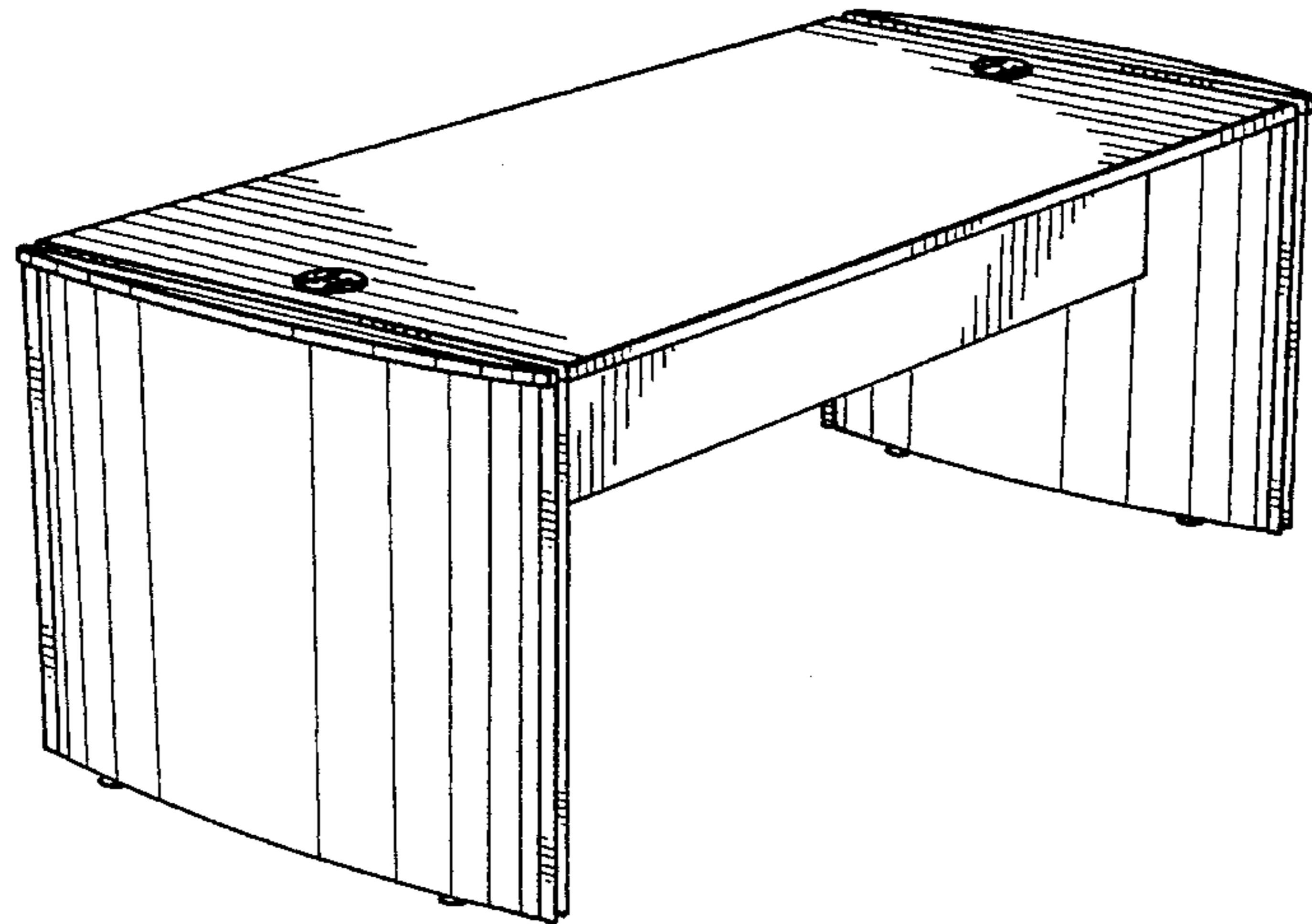
FIG. 9 is a rear elevational view thereof;

FIG. 10 is a top plan view thereof; and,

FIG. 11 is a bottom plan view thereof.

D. 107,152	11/1937	Jackson	D6/480
D. 113,215	2/1939	Birkmeyer	D6/480
D. 197,612	3/1964	Rice et al.	D6/422
D. 207,713	5/1967	Sullivan	D6/422 X
D. 260,833	9/1981	de Polo et al.	D6/441 X
D. 283,865	5/1986	Bergelin	D6/484
D. 314,288	2/1991	Andrews	D6/422
D. 339,481	2/1993	Stephens	D6/428
D. 341,043	11/1993	Pesso	D6/484

1 Claim, 4 Drawing Sheets



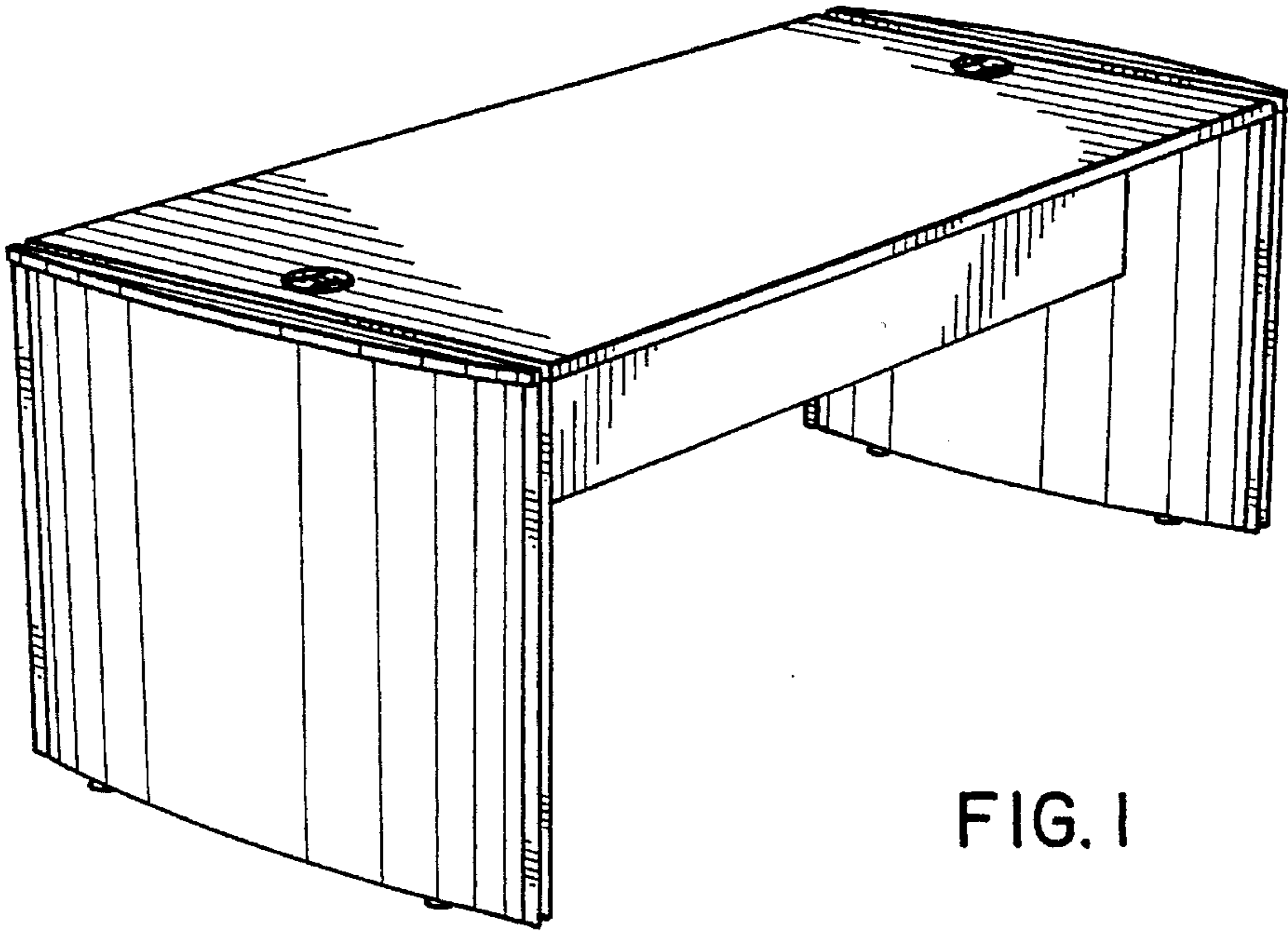


FIG. 1

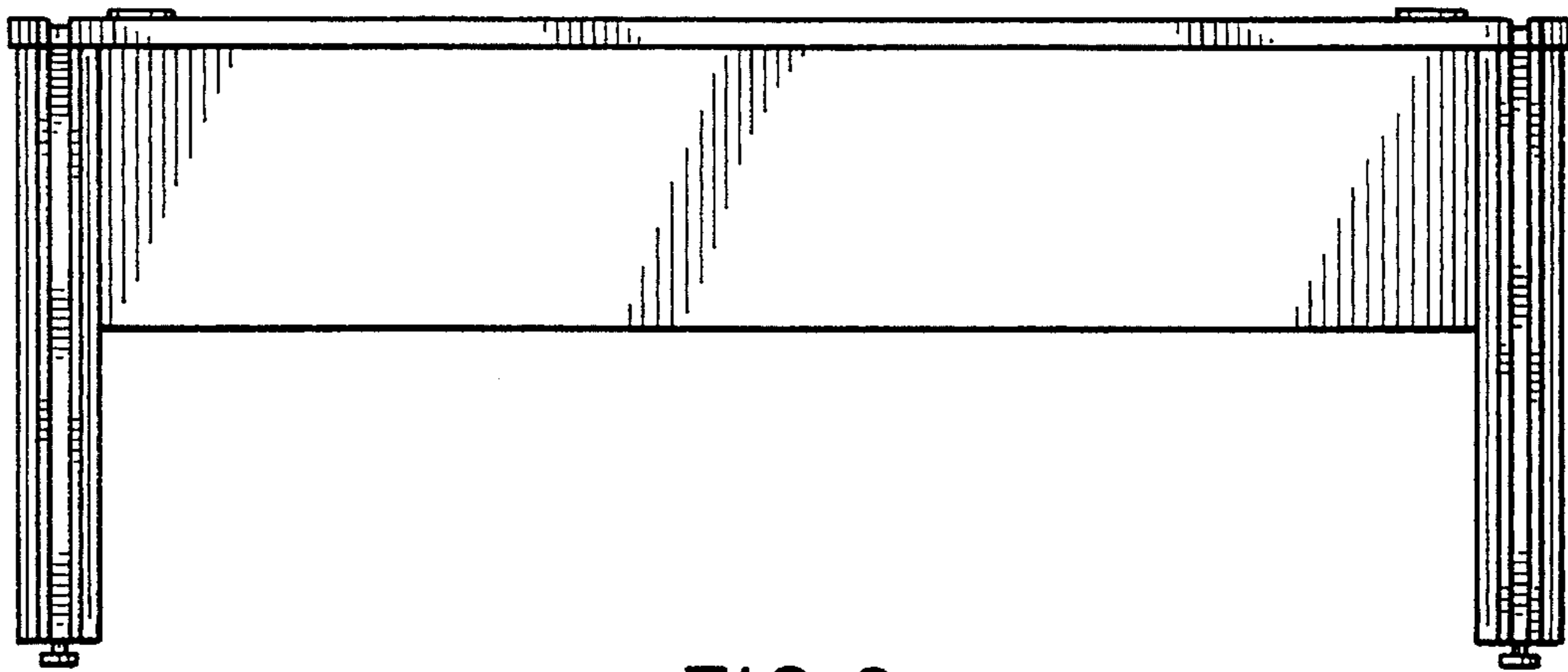


FIG. 2

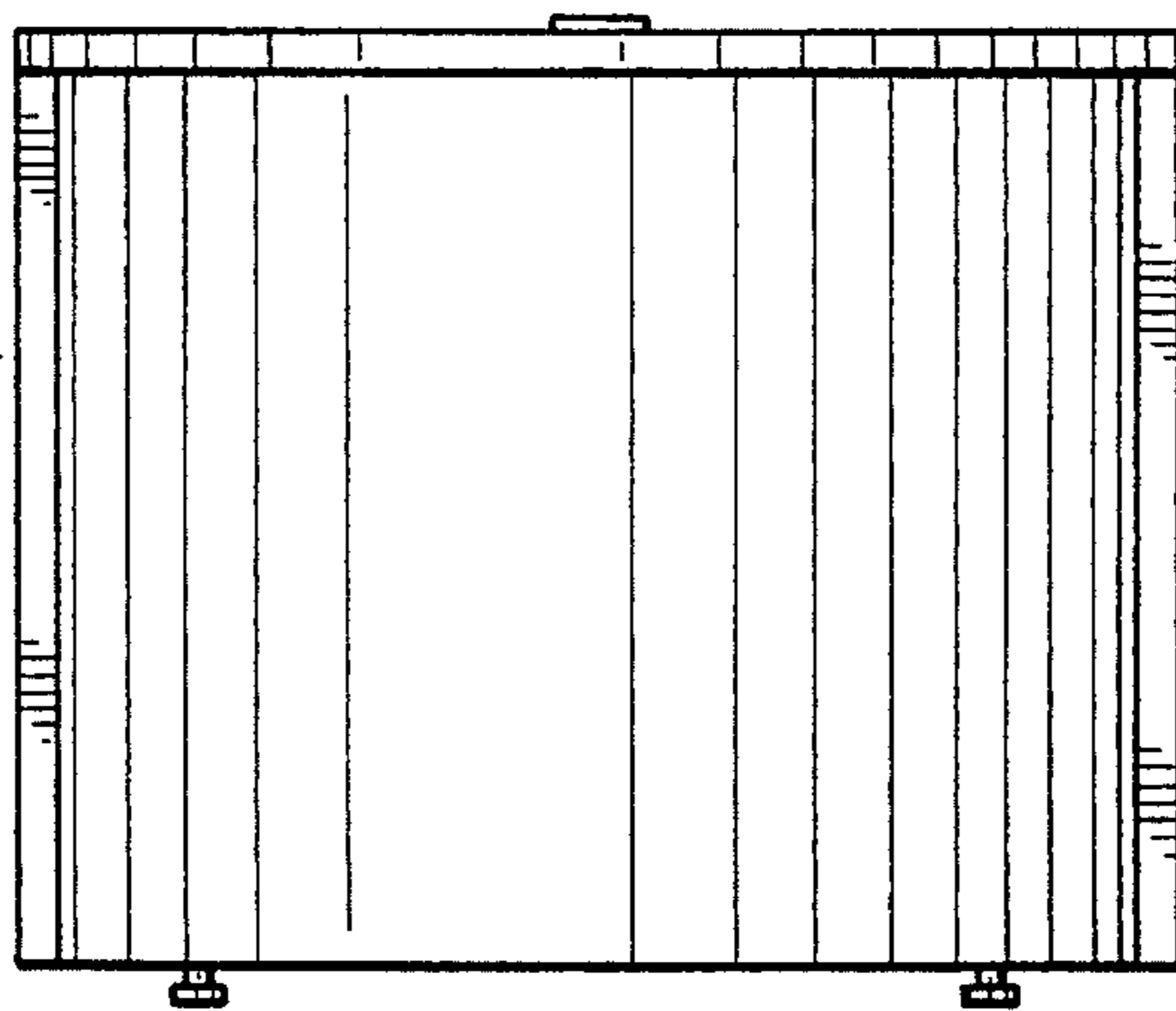


FIG. 3

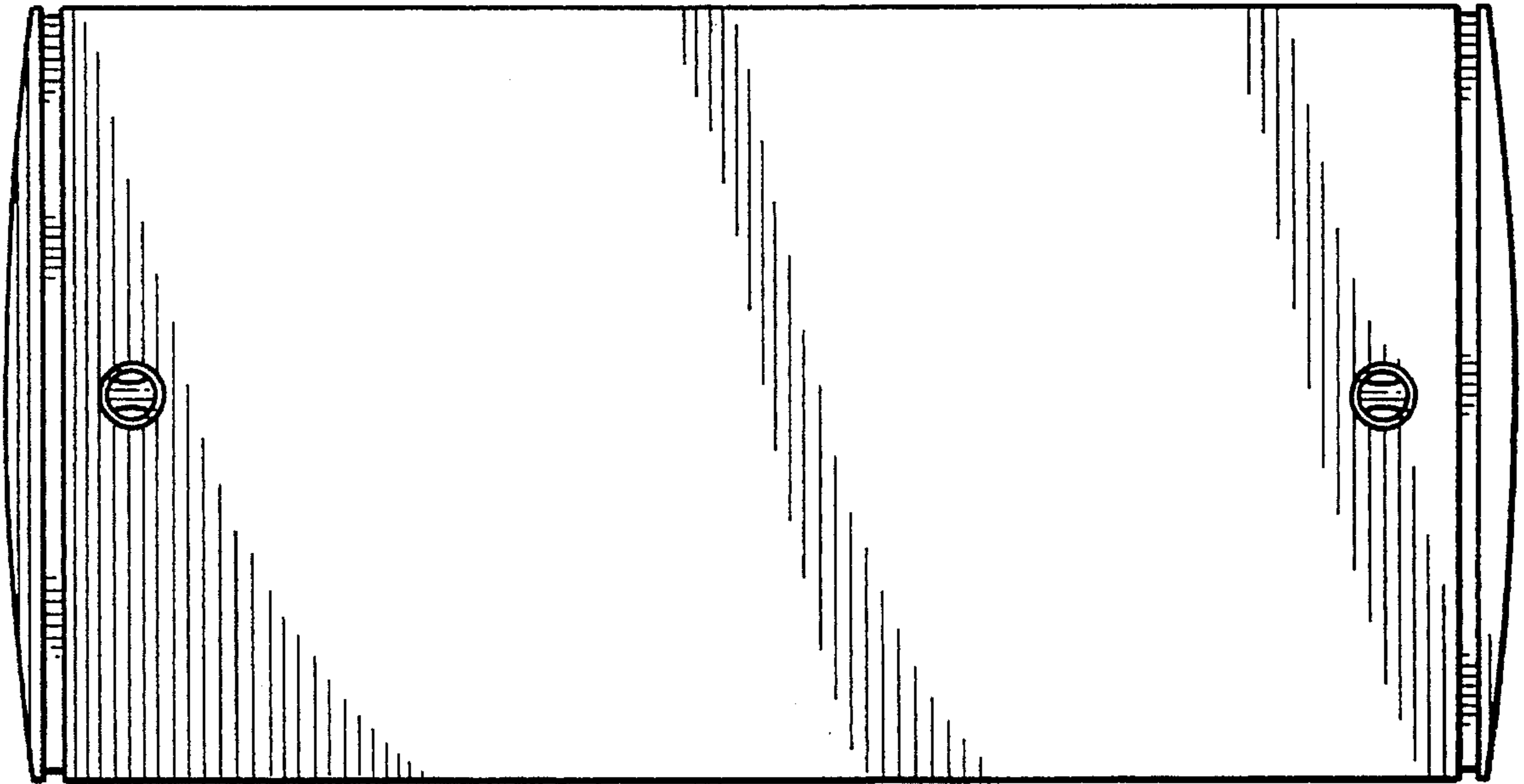


FIG. 4

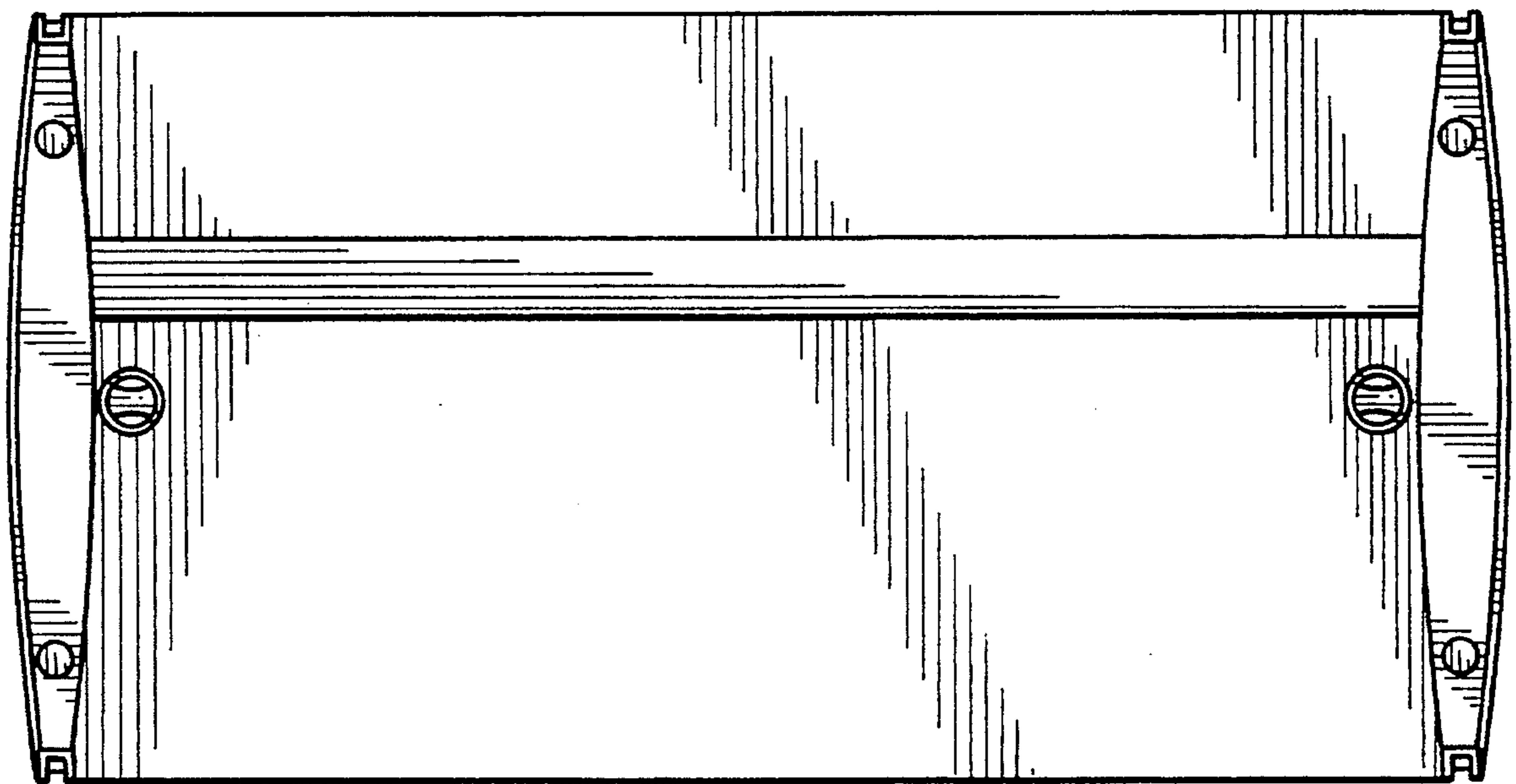


FIG. 5

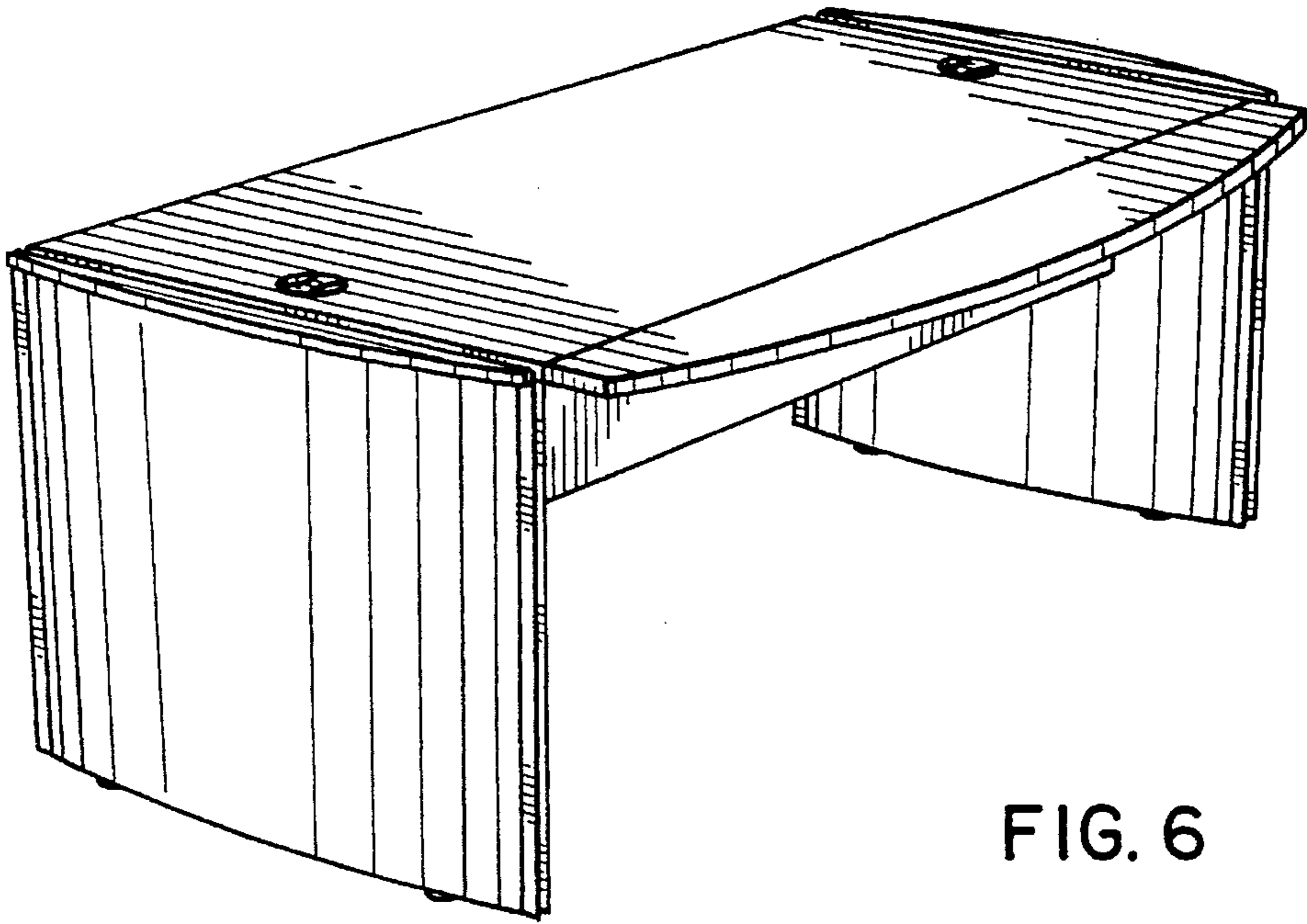


FIG. 6

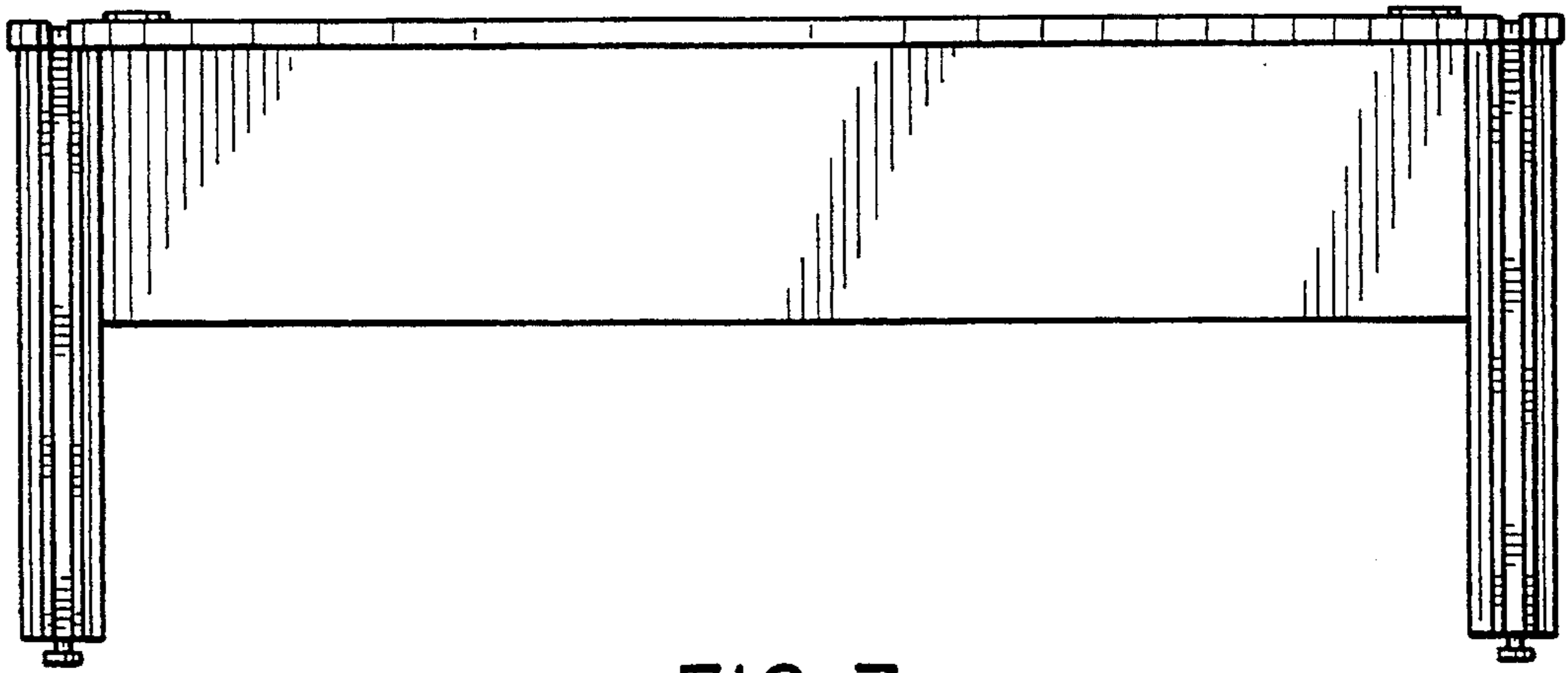


FIG. 7

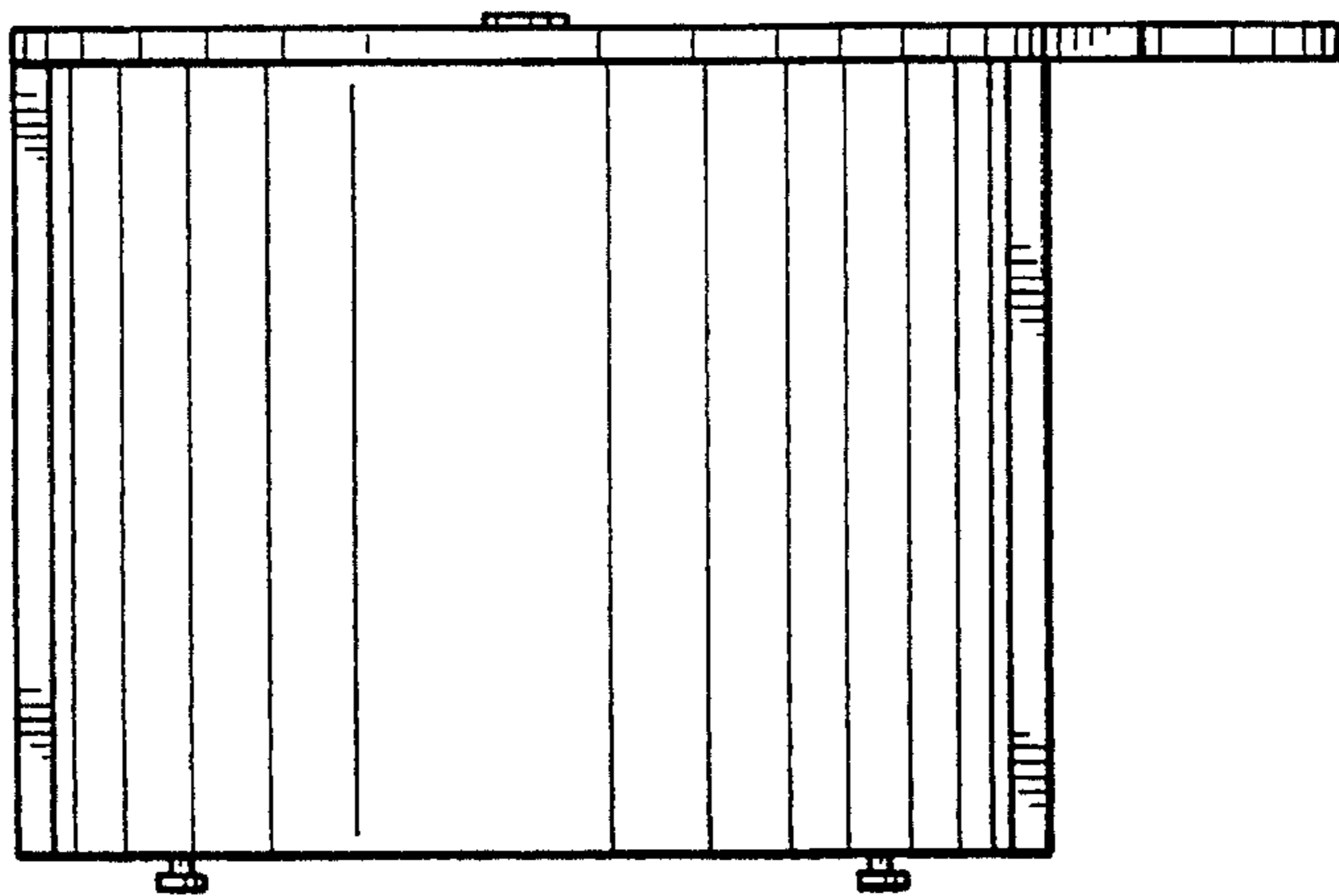


FIG. 8

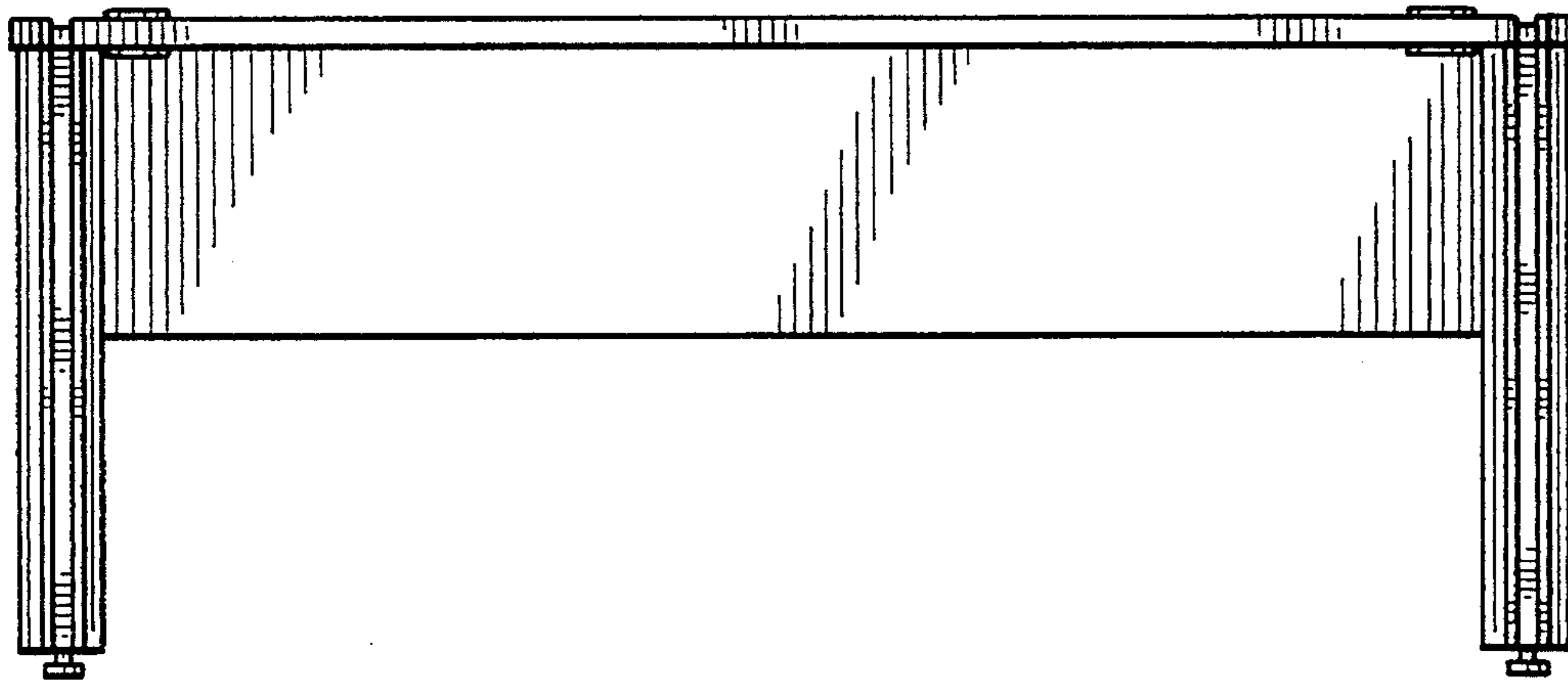


FIG. 9

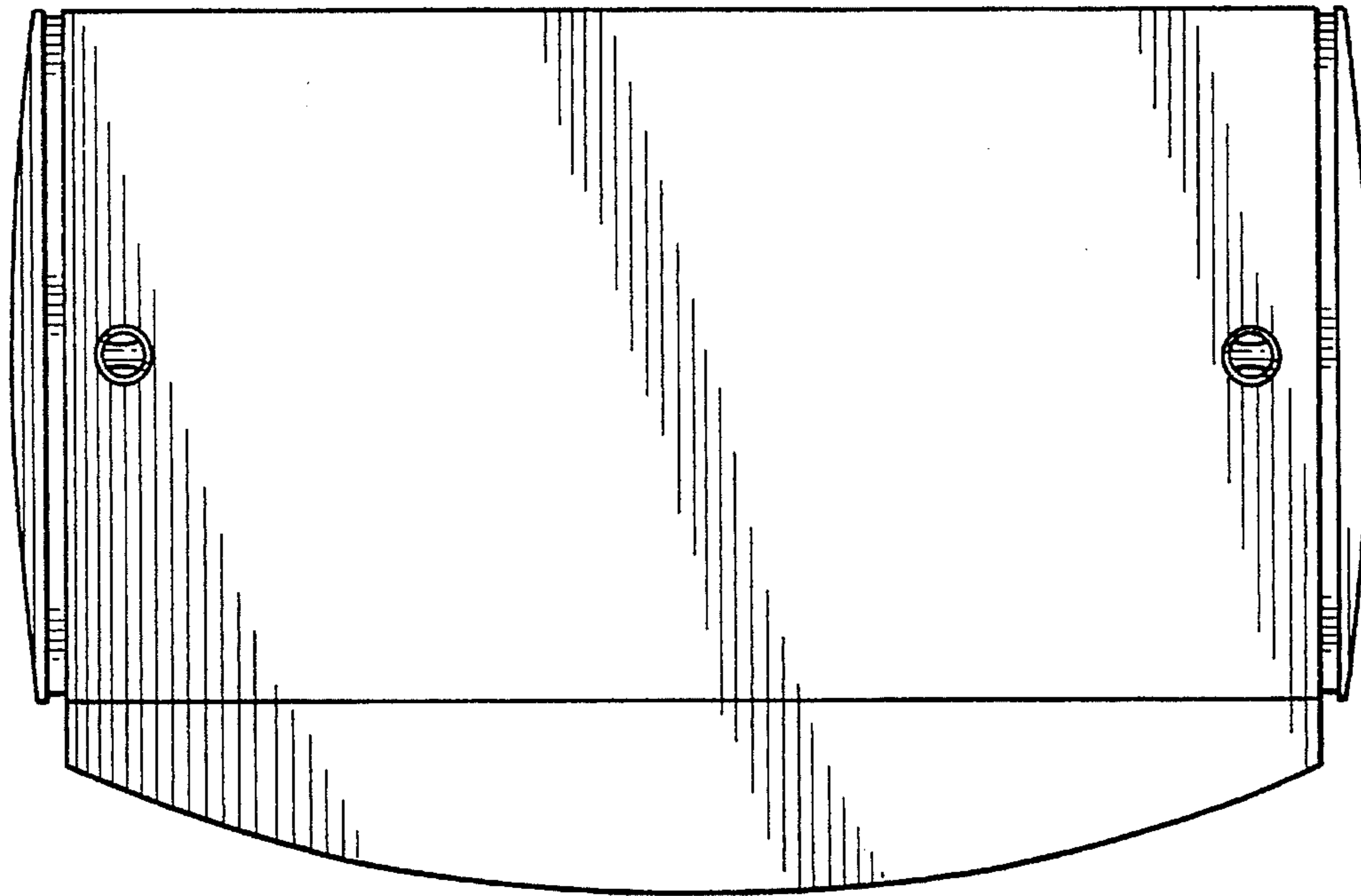


FIG. 10

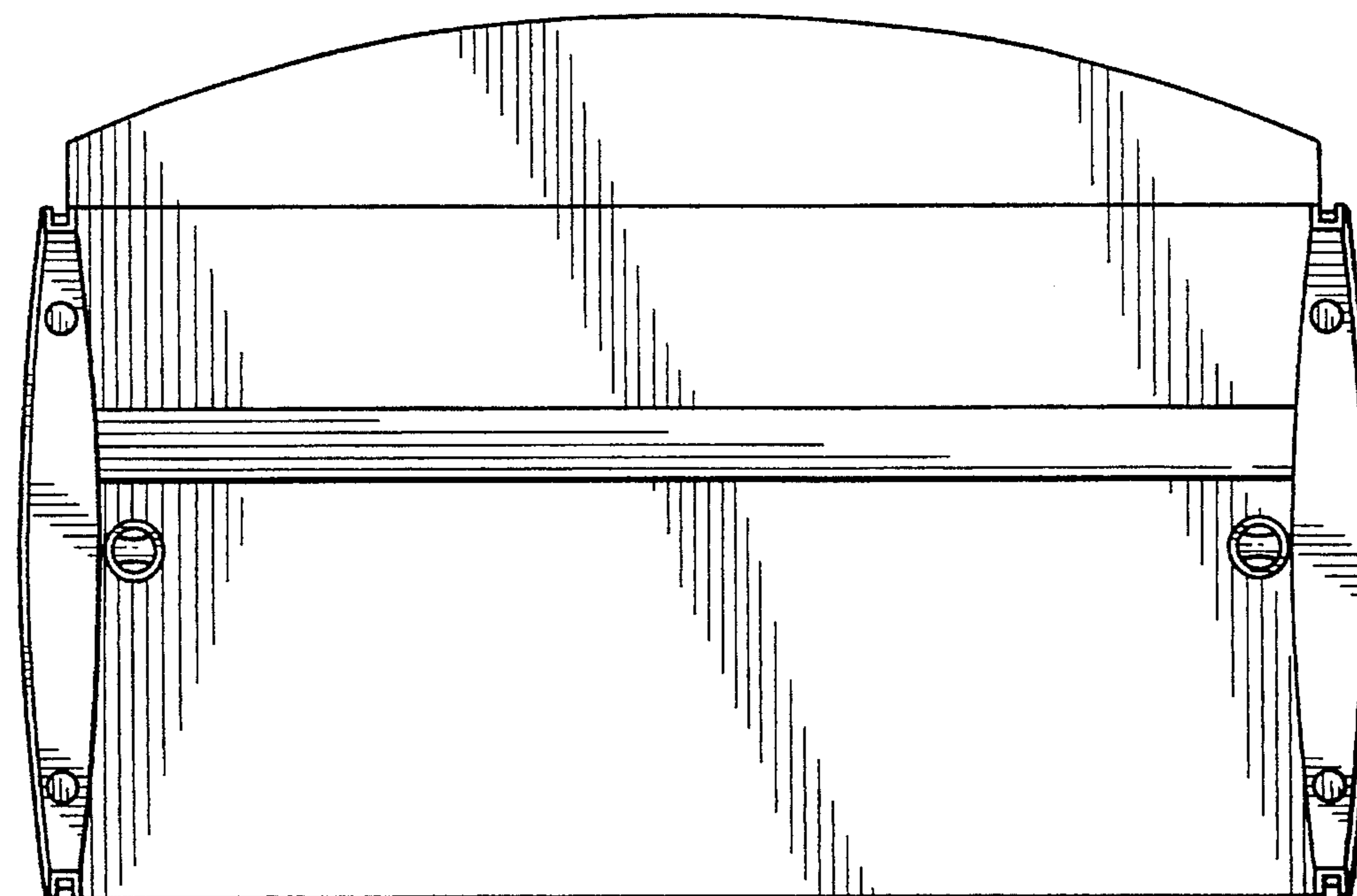


FIG. 11

UNITED STATES PATENT AND TRADEMARK OFFICE
CERTIFICATE OF CORRECTION

PATENT NO. : Des. 371701
DATED : July 16, 1996
INVENTOR(S) : Jolly

It is certified that error appears in the above-identified patent and that said Letters Patent is hereby corrected as shown below:

On the title page, insert item [73] Assignee: ORDA S.A.
Route De Nantes
Montaigu, Franc 85600

Signed and Sealed this
Nineteenth Day of November, 1996

Attest:



BRUCE LEHMAN

Attesting Officer

Commissioner of Patents and Trademarks

UNITED STATES PATENT AND TRADEMARK OFFICE
CERTIFICATE OF CORRECTION

PATENT NO. : Des. 371,701
DATED : July 16, 1996
INVENTOR(S) : Jolly

It is certified that error appears in the above-identified patent and that said Letters Patent is hereby corrected as shown below:

On the title page, insert item [73] Assignee: ORDO S.A.
Route De Nantes
Montaigu, France 85600

This certificate supersedes Certificate of Correction issued November 19, 1996.

Signed and Sealed this
Twenty-first Day of April, 1998



Attest:

BRUCE LEHMAN

Attesting Officer

Commissioner of Patents and Trademarks