



US00D371700S

United States Patent [19]

[11] Patent Number: **Des. 371,700**

Rosen

[45] Date of Patent: ****Jul. 16, 1996**

[54] TABLE

[75] Inventor: **Leon Rosen**, Scarsdale, N.Y.

[73] Assignee: **The Pace Collection, Inc.**, Long Island City, N.Y.

[**] Term: **14 Years**

[21] Appl. No.: **36,800**

[22] Filed: **Mar. 28, 1995**

[52] U.S. Cl. **D6/483; D6/451**

[58] Field of Search **D6/480-489, 495, D6/497, 450-453; 108/153, 157, 161; 248/188, 188.1**

[56] References Cited

U.S. PATENT DOCUMENTS

D. 158,524	5/1950	Spence	D6/430
D. 300,889	5/1989	Bartlett	D6/484
D. 364,056	11/1995	Berry, Jr. et al.	D6/483

OTHER PUBLICATIONS

Exposures Summer II 1991, p. 3, table #1 at center top.
Alex and Ivy Country, c1992, p. 17, table G at left.
Kittinger, 1970, p. Td-5, table #1804 at bottom.

Primary Examiner—Janice E. Seeger
Attorney, Agent, or Firm—Darby & Darby

[57] CLAIM

The ornamental design for a table, as shown and described.

DESCRIPTION

FIG. 1 is a top perspective view of a table showing my new design;
FIG. 2 is a top plan view thereof;
FIG. 3 is a front elevational view thereof;
FIG. 4 is a right side elevational view thereof; the left side being a mirror image of the right side thereof;
FIG. 5 is a bottom view thereof; and,
FIG. 6 is a rear elevational view.

1 Claim, 2 Drawing Sheets

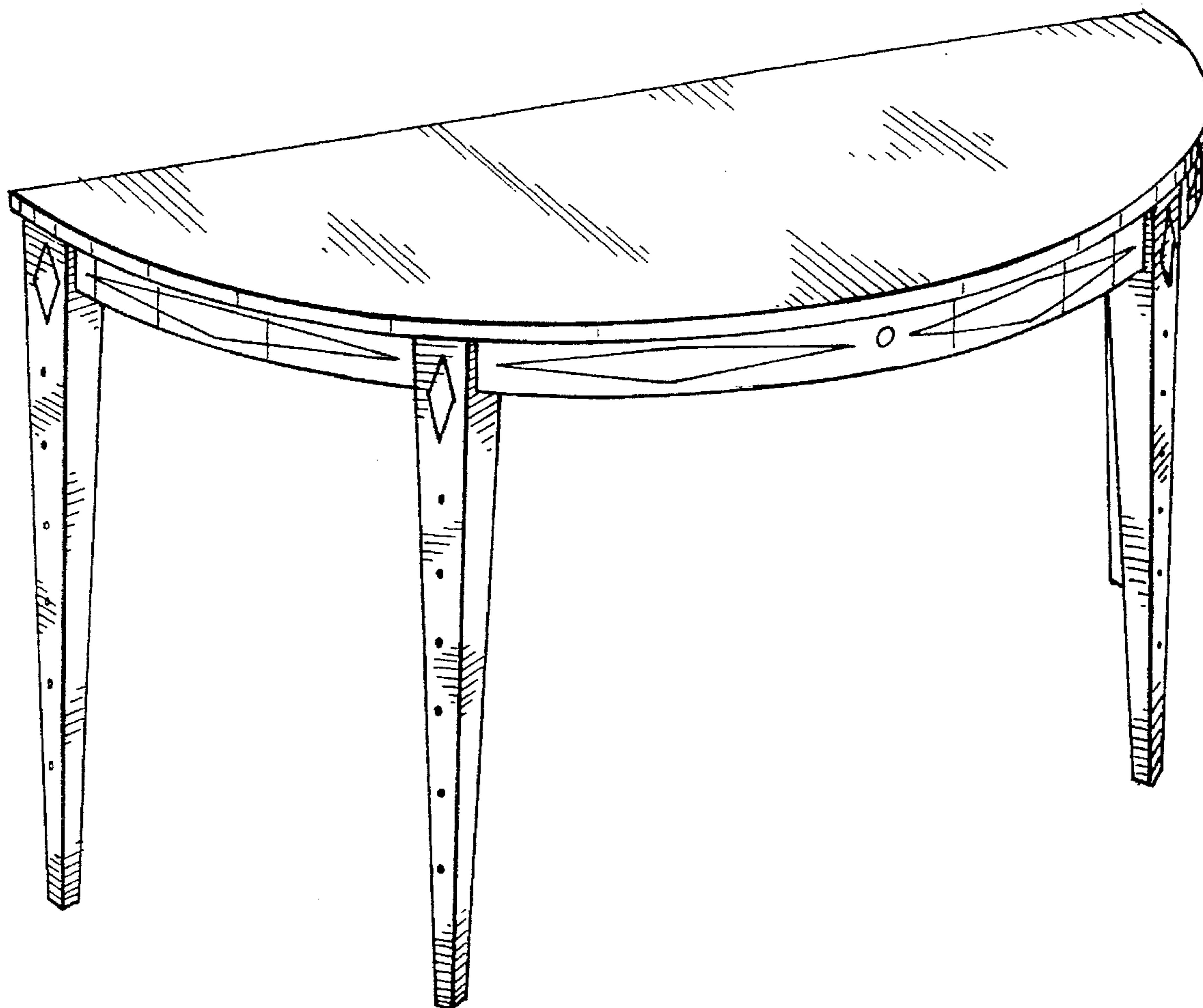


FIG. 1

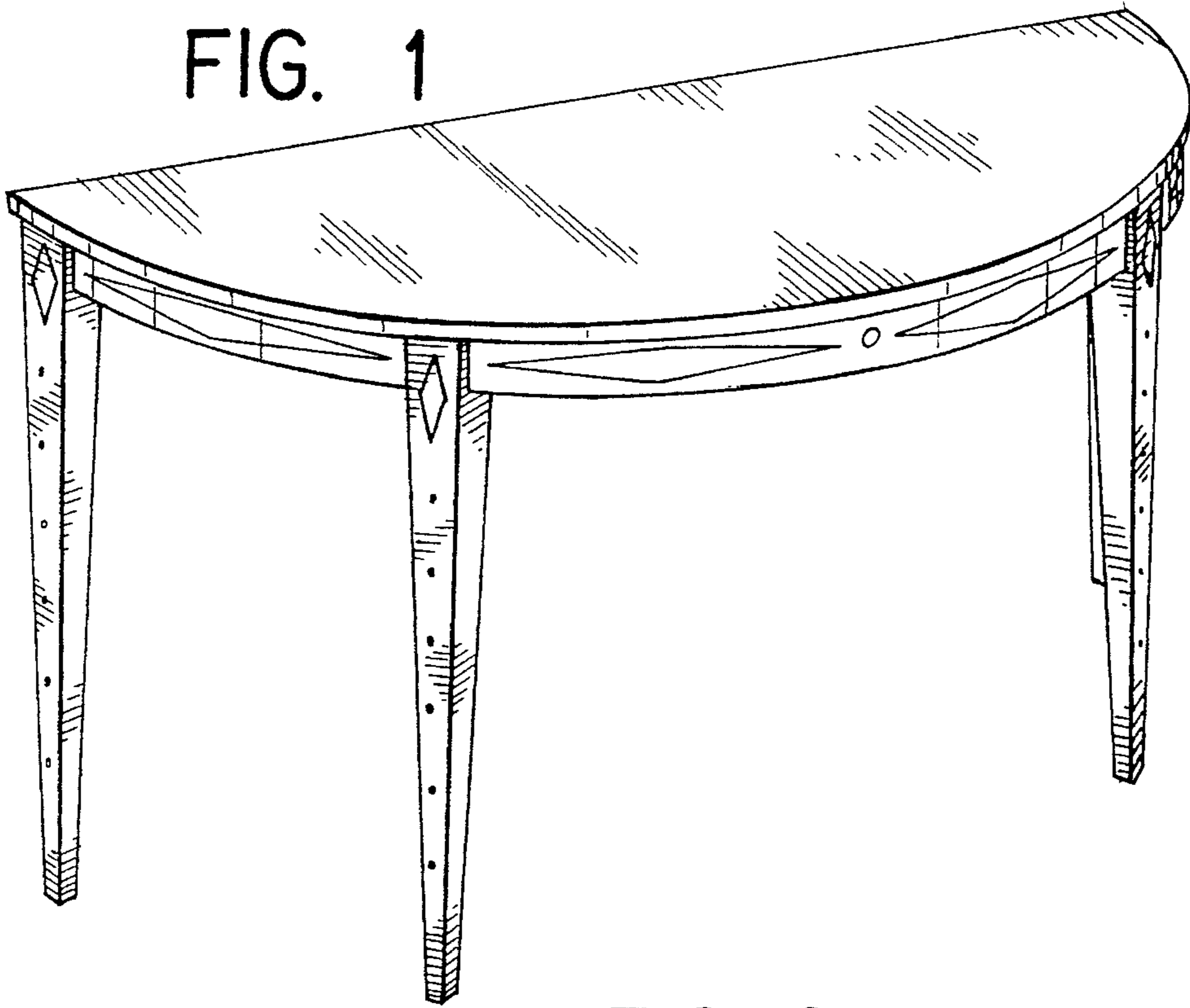


FIG. 2

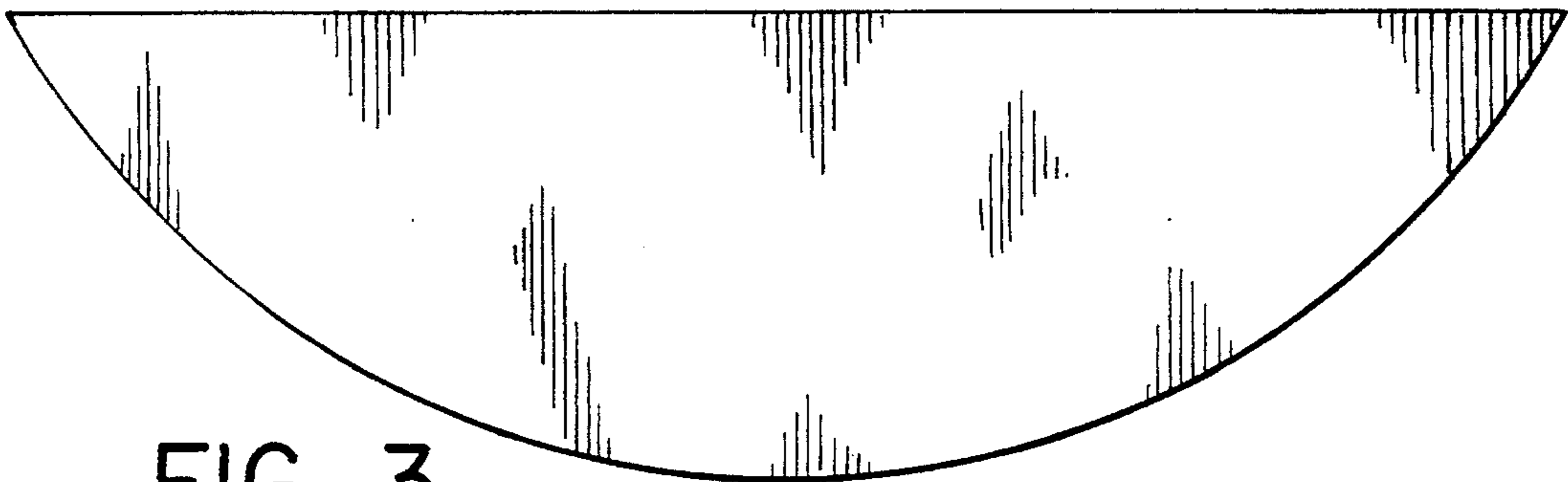


FIG. 3

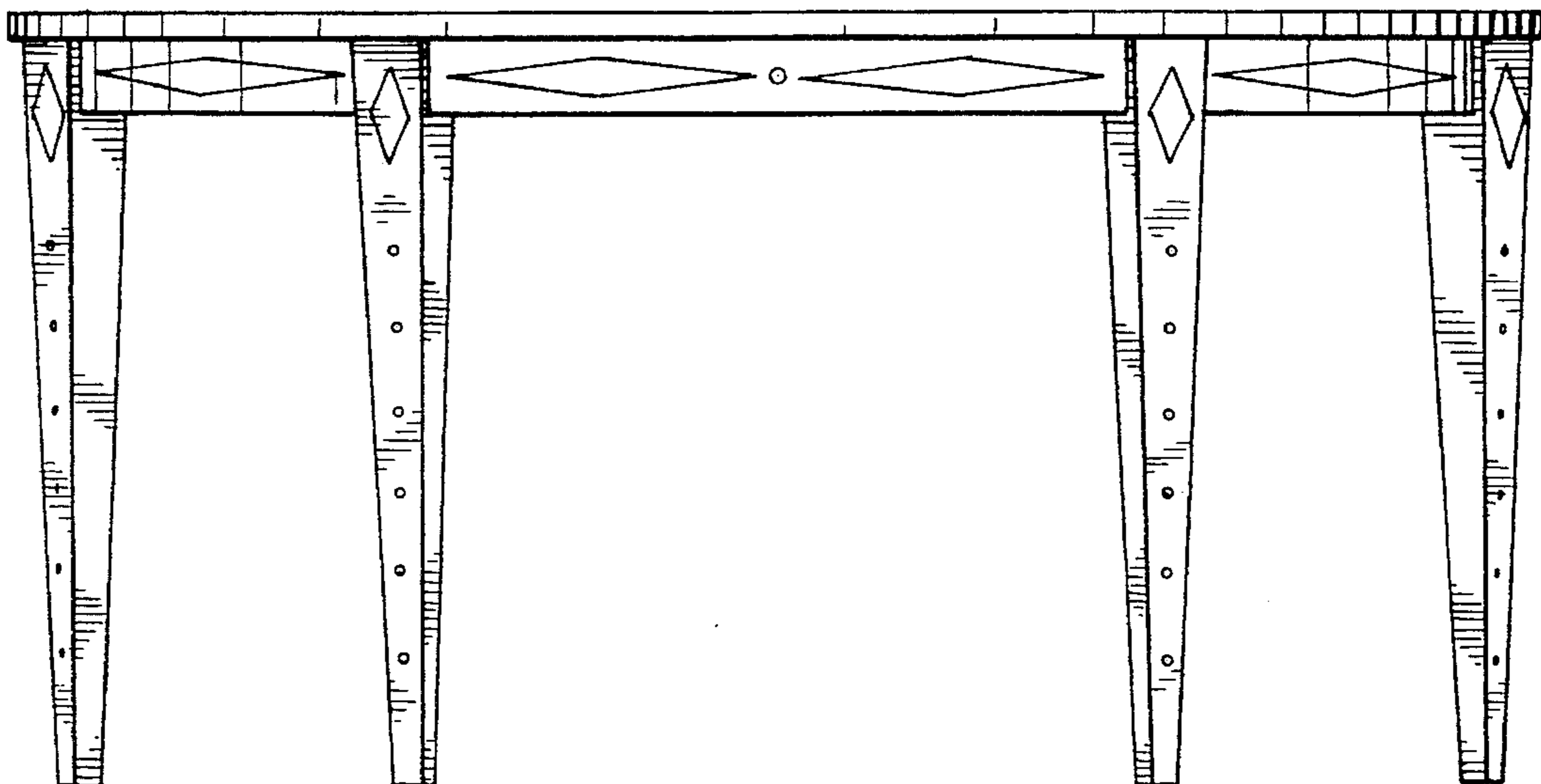


FIG. 4

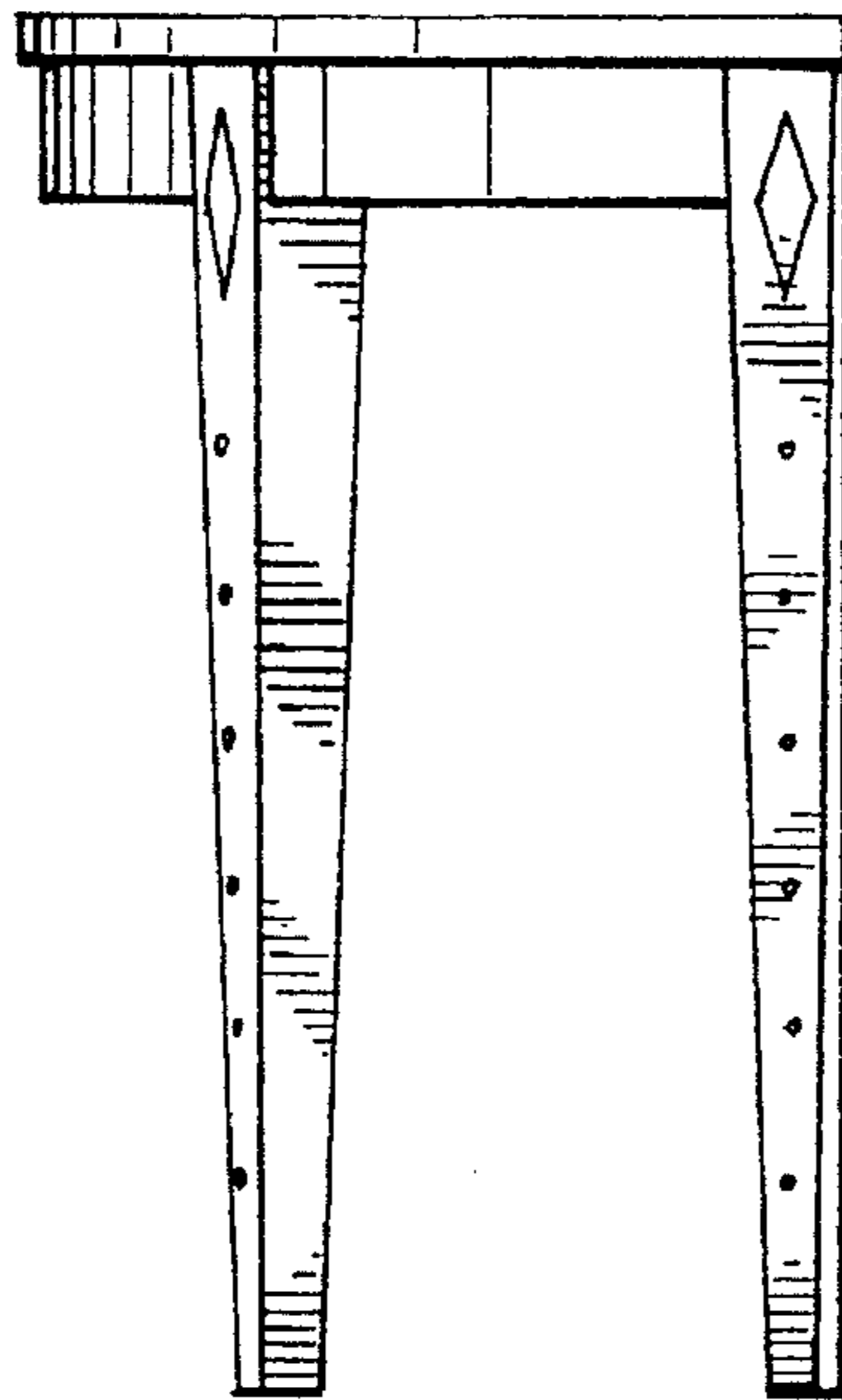


FIG. 5

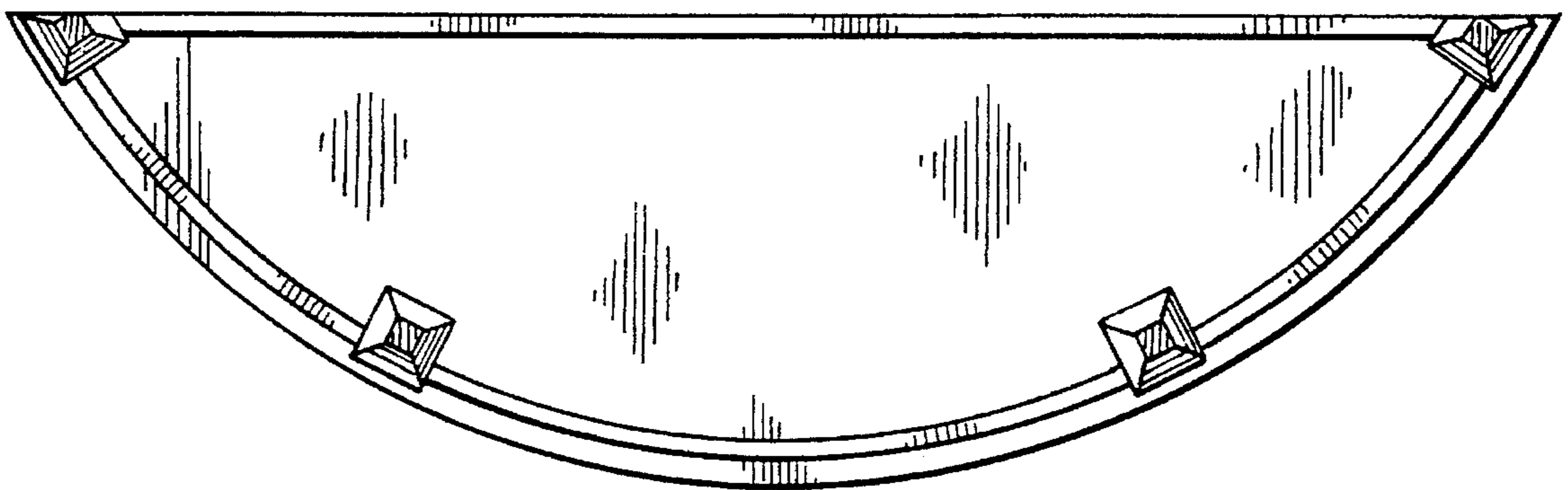


FIG. 6

