



US00D371699S

# United States Patent [19]

Muller-Deisig et al.

[11] Patent Number: **Des. 371,699**

[45] Date of Patent: **\*\*Jul. 16, 1996**

[54] **TABLE WITH THREE SEGMENTS**

D. 334,489 4/1993 Greutmann et al. .... D6/423  
D. 346,912 5/1994 Mezger ..... D6/423

[75] Inventors: **Wolfgang Muller-Deisig**, Berlin, Germany; **Alexander H. A. M. Dankers**, Berkel-Enshot, Netherlands

**OTHER PUBLICATIONS**

Kinetics, Oct. 1989, p. 4, table at top.  
Hardwood House, c1988, Centenium, table at lower left.

[73] Assignee: **Assenburg B.V.**, EA Tilburg, Netherlands

*Primary Examiner*—Janice E. Seeger  
*Attorney, Agent, or Firm*—Ladas & Parry

[\*\*] Term: **14 Years**

[21] Appl. No.: **37,648**

[57] **CLAIM**

[22] Filed: **Apr. 18, 1995**

The ornamental design for a table with three segments, as shown.

[30] **Foreign Application Priority Data**

**DESCRIPTION**

Oct. 19, 1994 [BE] Belgium ..... 70186-01/11

[52] U.S. Cl. .... **D6/482**; D6/423; D6/487

[58] Field of Search ..... D6/480-489, 429, D6/430, 495, 499, 422, 423; 108/50, 64, 153, 157, 161; 312/223.2, 223.3

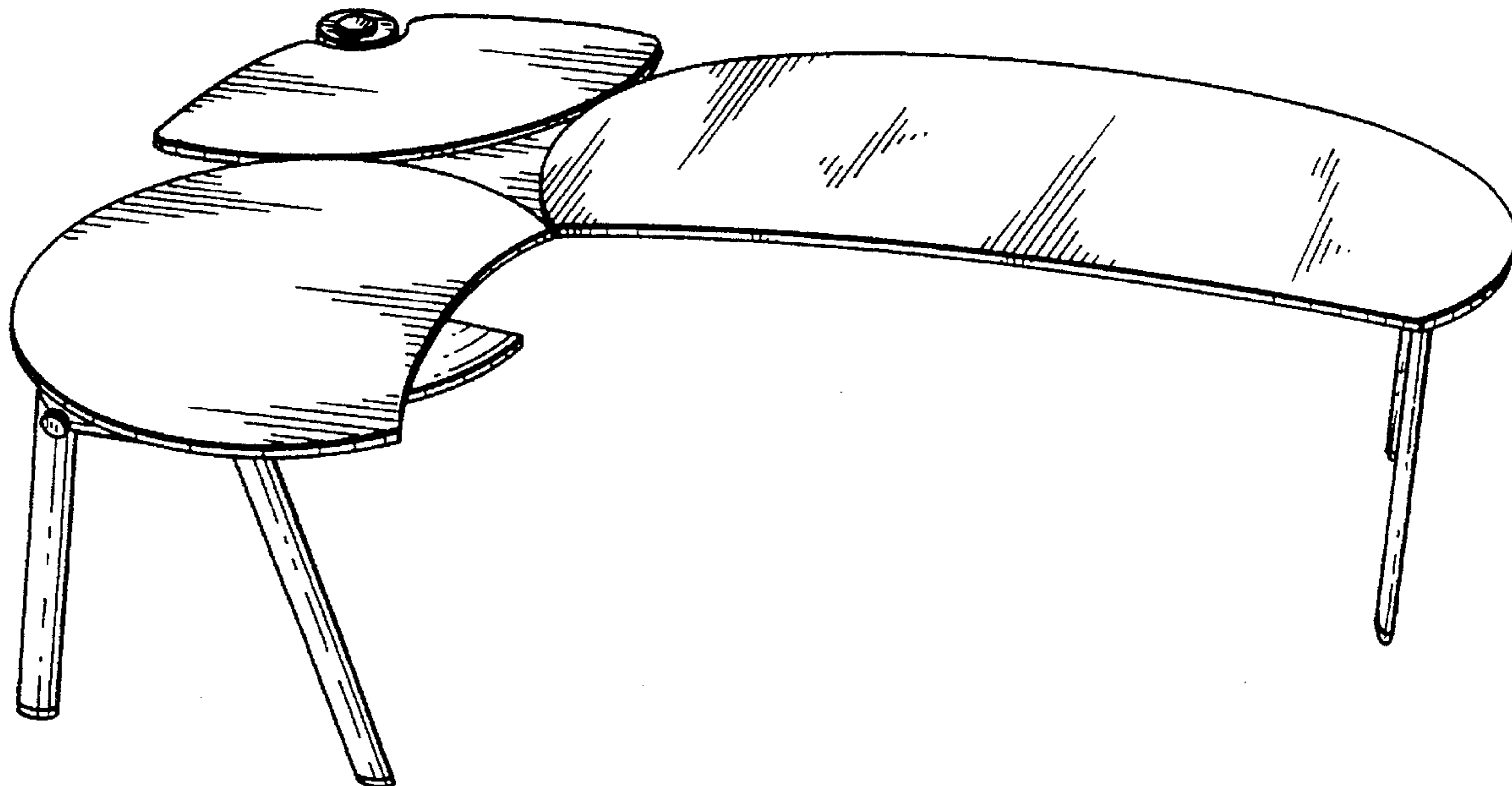
FIG. 1 is a front perspective view showing our design;  
FIG. 2 is an end side view thereof;  
FIG. 3 is a side view thereof; and,  
FIG. 4 is a bottom view thereof.

[56] **References Cited**

**U.S. PATENT DOCUMENTS**

D. 277,249 1/1985 Dunbar ..... D6/483

**1 Claim, 2 Drawing Sheets**



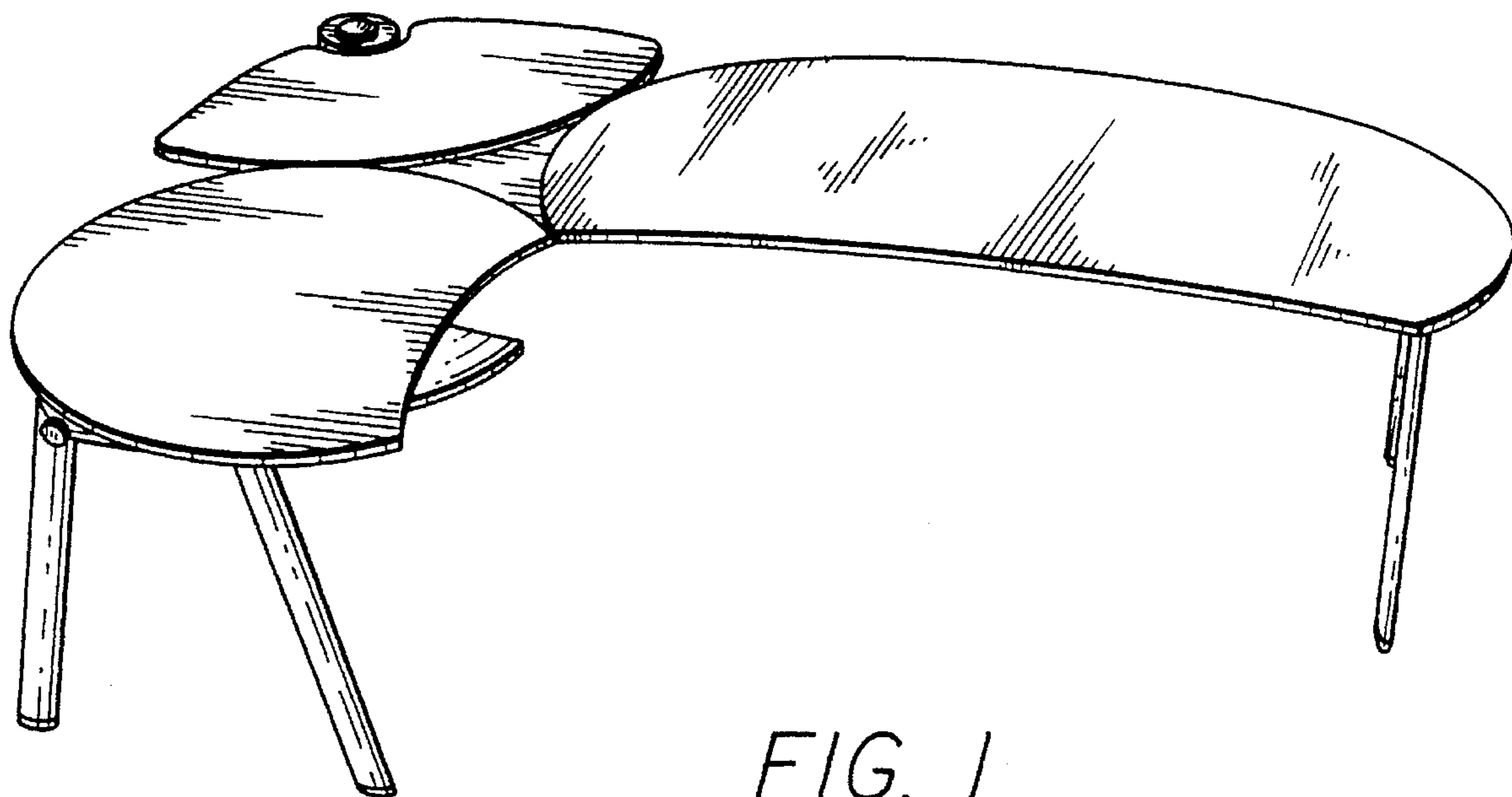


FIG. 1

FIG. 2

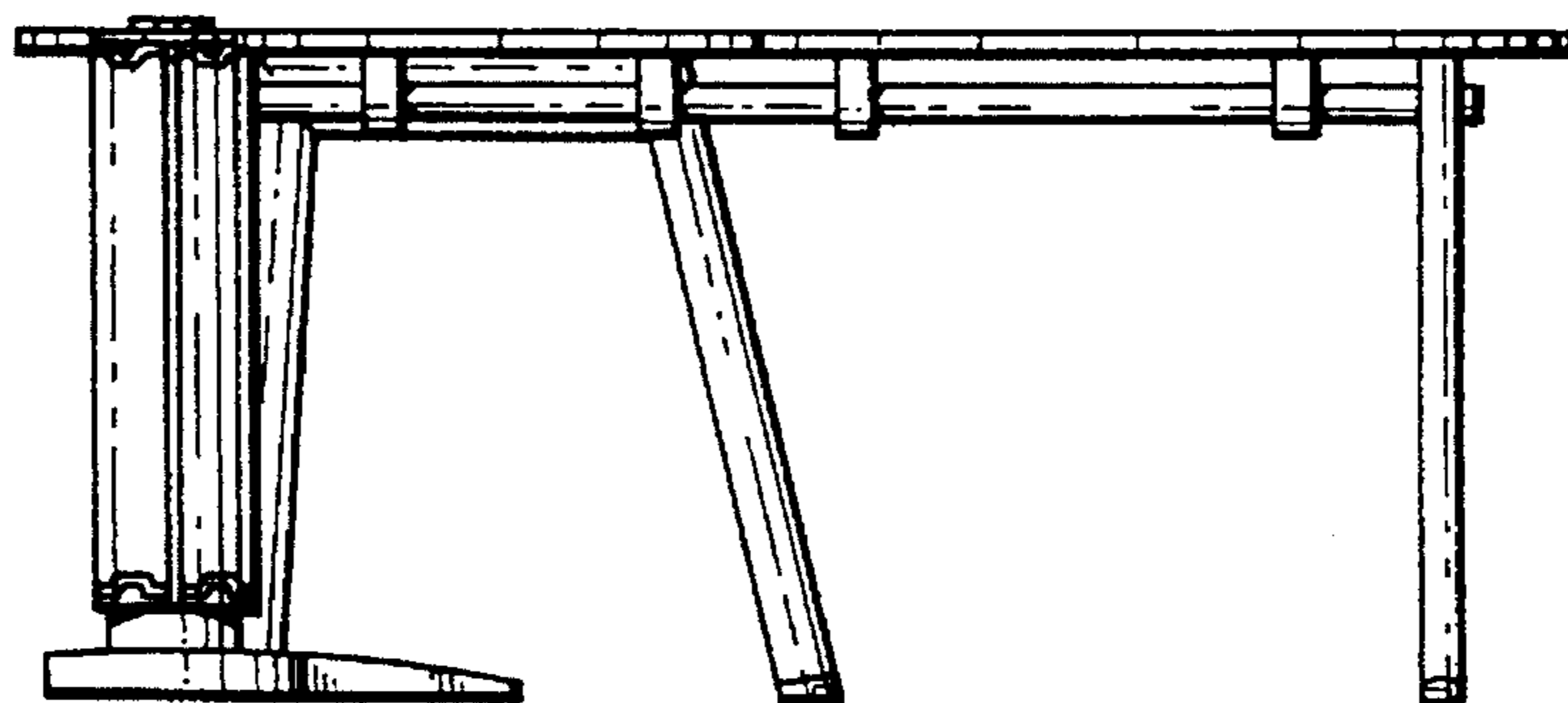


FIG. 3

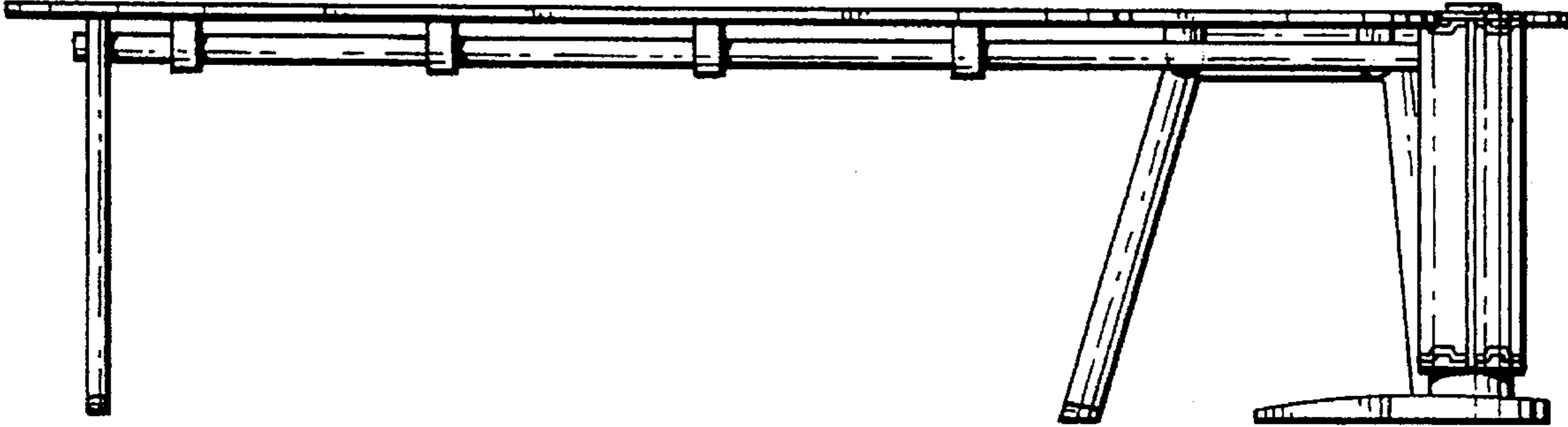


FIG. 4

