



US00D371696S

United States Patent [19] Hutton

[11] Patent Number: **Des. 371,696**

[45] Date of Patent: ***** Jul. 16, 1996**

[54] **TABLE**

D. 233,391	10/1974	Hazelwood	D6/487
1,546,777	7/1925	Deinhart	108/150
1,688,048	10/1928	Irvine	D6/479
1,824,682	9/1931	O'Neil	108/191
3,467,033	9/1969	Sienkiewicz et al.	108/150

[75] Inventor: **John Hutton**, New York, N.Y.

[73] Assignee: **Donghia Furniture**, New York, N.Y.

[*] Notice: The portion of the term of this patent subsequent to Nov. 21, 2009, has been disclaimed.

Primary Examiner—Janice E. Seeger
Attorney, Agent, or Firm—Kenyon & Kenyon

[**] Term: **14 Years**

[57] **CLAIM**

The ornamental design for a table, as shown and described.

[21] Appl. No.: **23,767**

DESCRIPTION

[22] Filed: **Jun. 1, 1994**

[52] U.S. Cl. **D6/461; D6/486**

[58] Field of Search D6/480-489, 495-499,
D6/450, 451, 479, 477; 108/150, 153, 151,
167; 248/188, 188.1

FIG. 1 is a perspective view of a table showing my new design;

FIG. 2 is a front elevational view thereof;

FIG. 3 is a top plan view thereof;

FIG. 4 is a rear elevational view thereof;

FIG. 5 is a bottom plan view thereof; and,

FIG. 6 is a right side elevational view thereof, the left side being a mirror image thereof.

[56] **References Cited**

U.S. PATENT DOCUMENTS

D. 198,324 6/1964 Gale D6/486

1 Claim, 4 Drawing Sheets

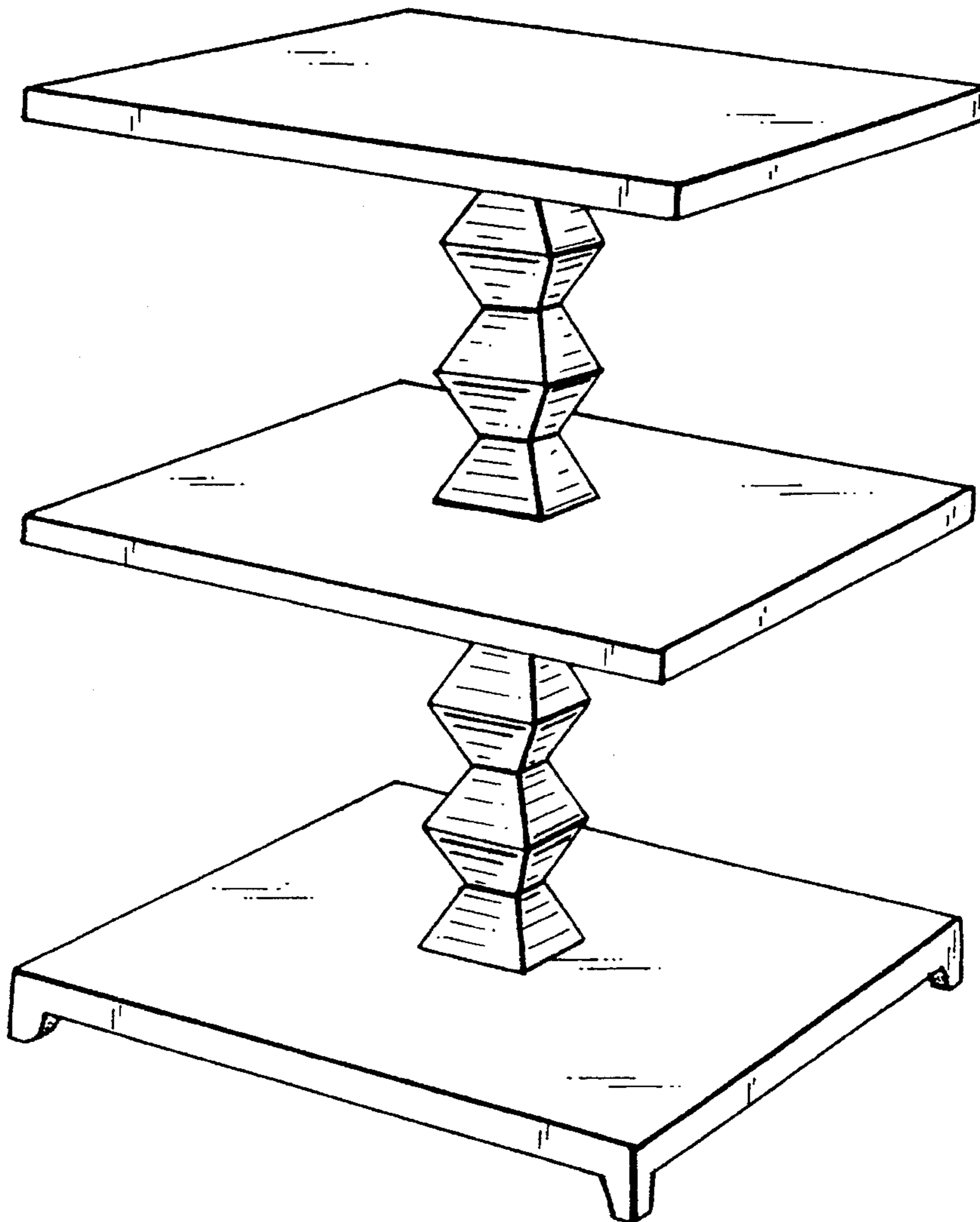
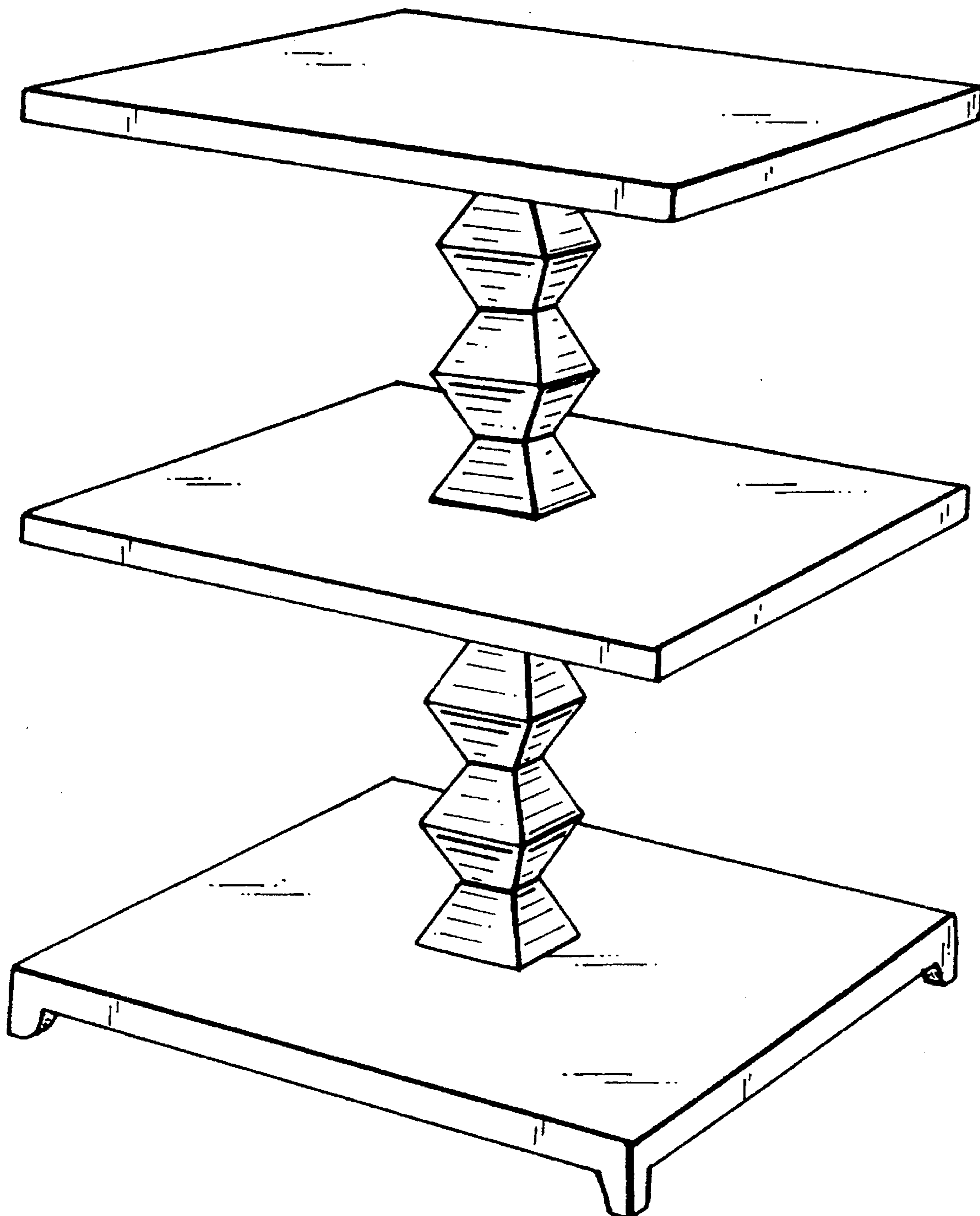


FIG. 1



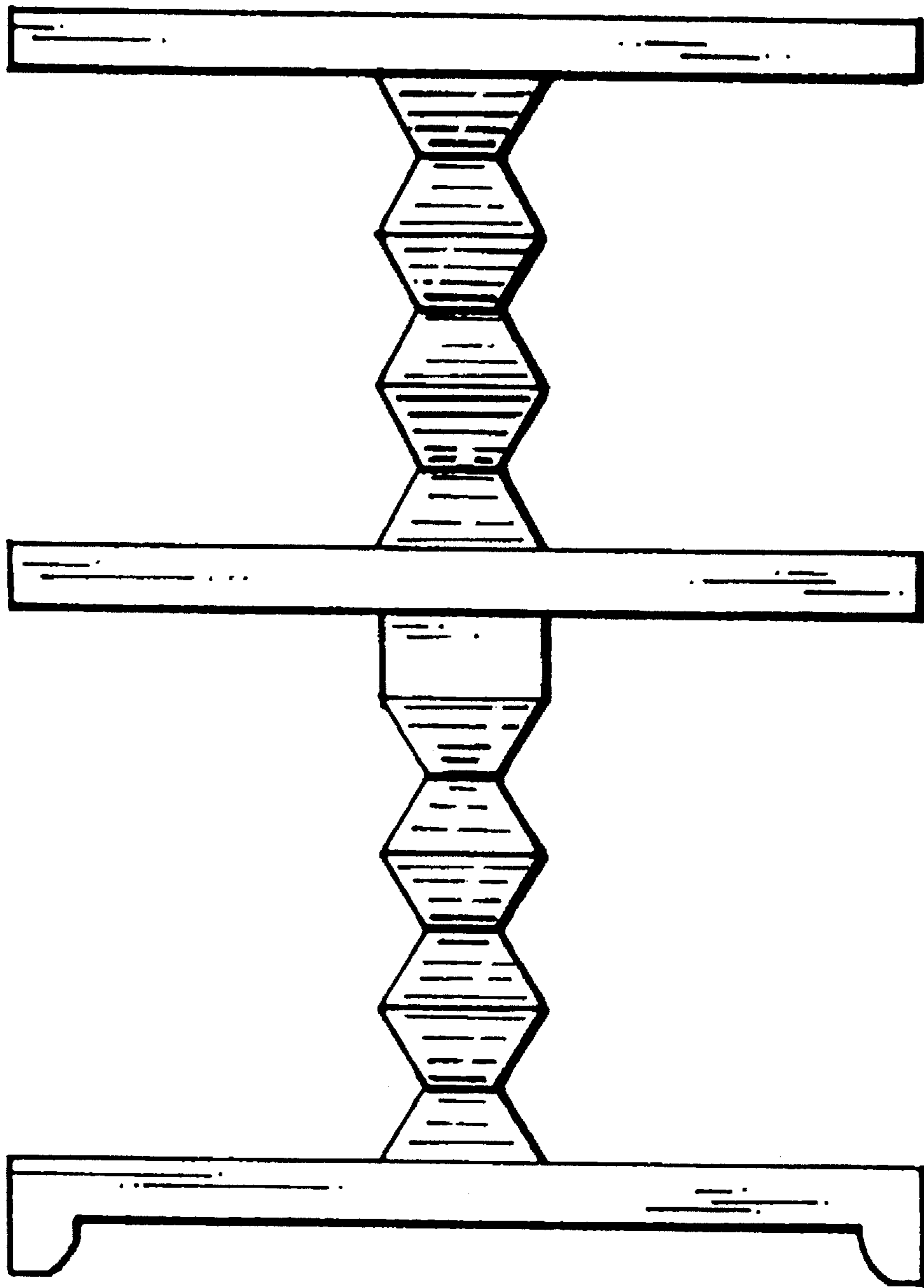


FIG. 2

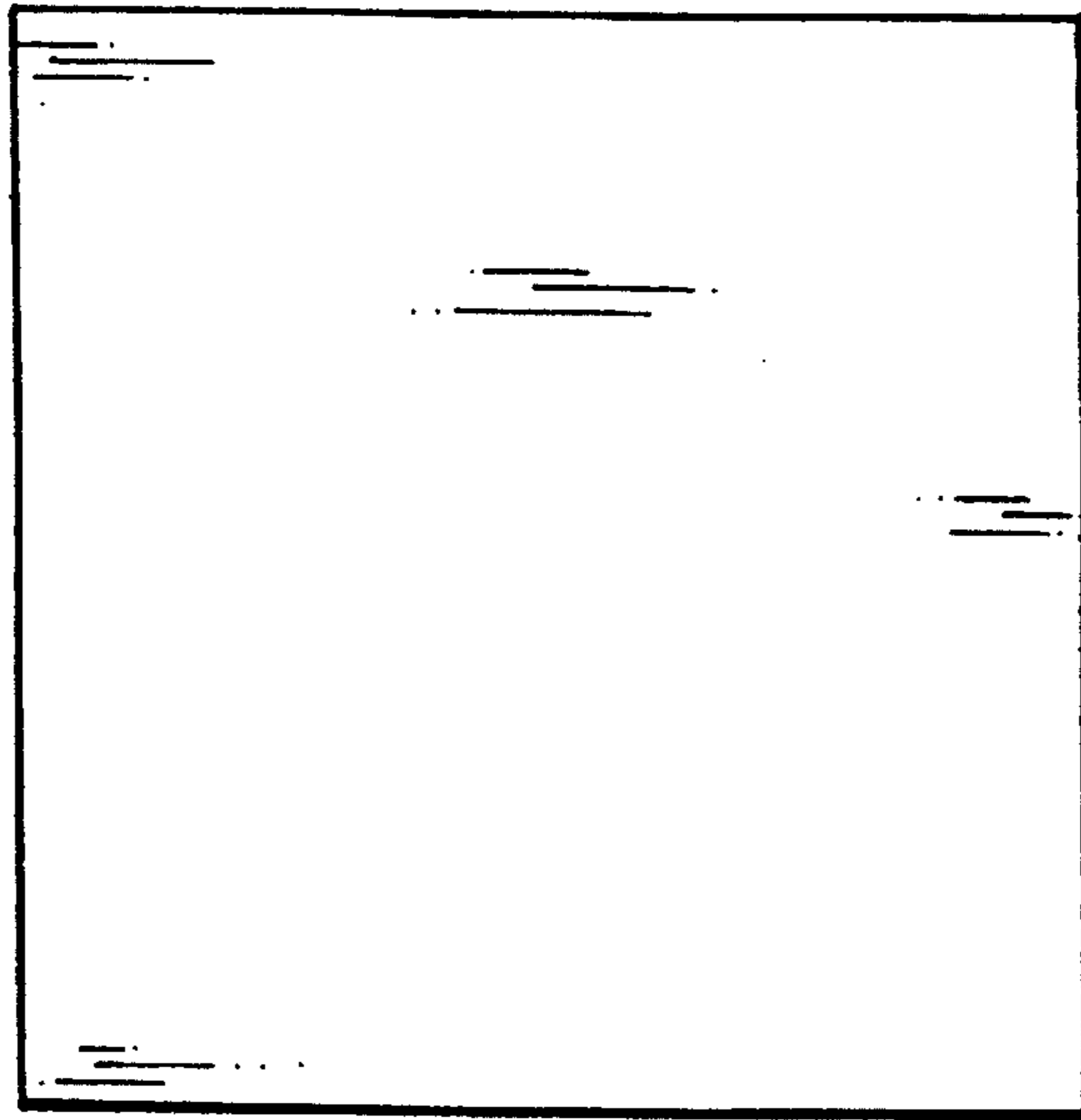


FIG. 3

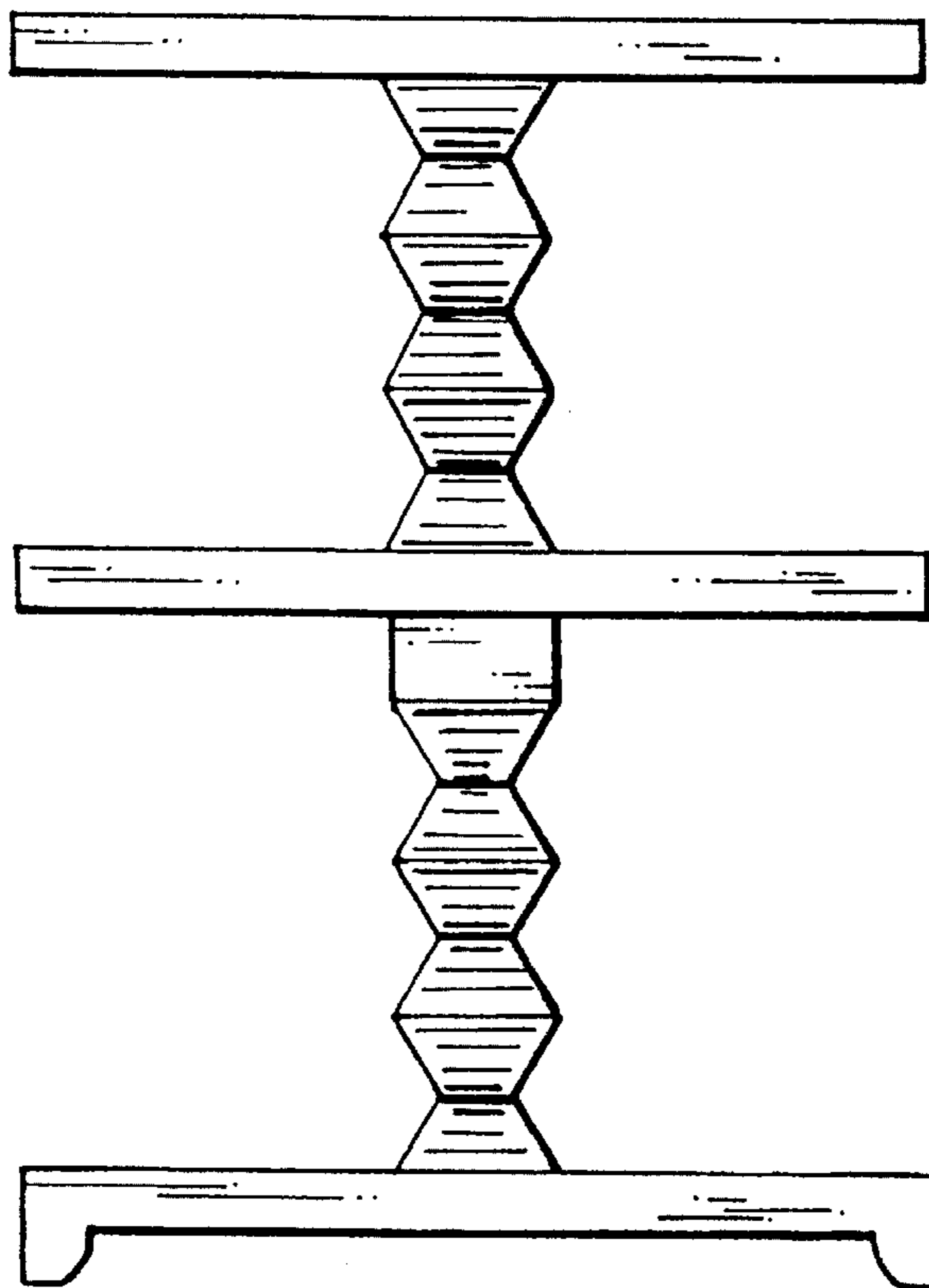


FIG. 4

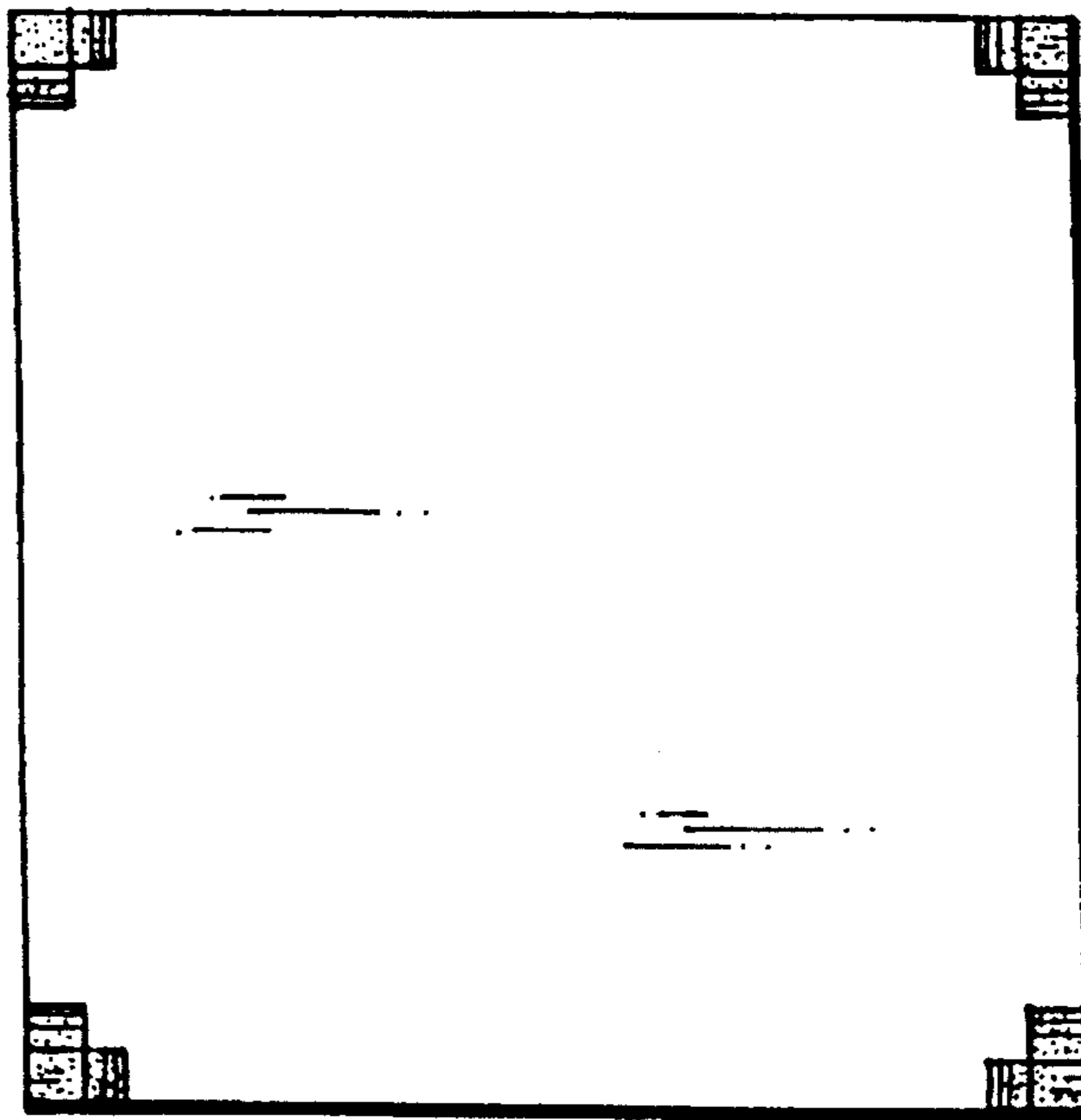


FIG. 5

FIG. 6

