



US00D371687S

# United States Patent [19]

[11] Patent Number: **Des. 371,687**

**Sims**

[45] Date of Patent: **\*\*\* Jul. 16, 1996**

[54] **DESK/WORK TABLE**

D. 355,547 2/1995 Liston ..... D6/429 X

[75] Inventor: **John Sims**, High Wycombe, Great Britain

### OTHER PUBLICATIONS

[73] Assignee: **Ergonomic Workstations Limited**, High Wycombe, United Kingdom

“Mayline” Brochure, Jun. 1994, p. 6, item “Corner Unit Stationary Front”, Located in c-24 Box.  
Jensen “Responsive Furniture” brochure, F Jensen Limited, (6 pages).  
Arbeitsplätze CAD 2000 brochure, Fleischer Büro- und EDV-Möbelsysteme GmbH & Co KG (8 pages).

[\*] Notice: The portion of the term of this patent subsequent to Jul. 30, 2017, has been disclaimed.

*Primary Examiner*—Alan P. Douglas  
*Assistant Examiner*—S. Snapp  
*Attorney, Agent, or Firm*—Jacobson, Price, Holman & Stern

[\*\*] Term: **14 Years**

[21] Appl. No.: **20,705**

### [57] CLAIM

[22] Filed: **Mar. 31, 1994**

The ornamental design of a desk/work table, as shown and described.

### [30] Foreign Application Priority Data

### DESCRIPTION

Oct. 1, 1993 [GB] United Kingdom ..... 2034275

[52] U.S. Cl. .... **D6/423**

[58] Field of Search ..... D6/396, 397, 422-431, D6/449, 474, 480, 482, 483, 484; 312/194-196

FIG. 1 is a front perspective view of a desk/work table showing my design, with a corner section thereof raised; FIG. 2 is a side perspective view from one side thereof, with a corner section lowered; FIG. 3 is a top plan view of the desk/work table showing my new design; FIG. 4 is a front elevational view with the corner section raised; FIG. 5 is a front elevational view with the corner section lowered; FIG. 6 is a side elevational view with the corner section lowered; and, FIG. 7 is a side elevational view with the corner section raised.

### [56] References Cited

#### U.S. PATENT DOCUMENTS

D. 114,203	4/1939	Wright	.....	D6/426
D. 168,525	12/1952	Thomas	.....	D6/427 X
D. 169,388	4/1953	Placke	.....	D6/427 X
D. 227,328	6/1973	Viovanni	.	
D. 266,467	10/1982	Ylanko	.....	D6/188
D. 273,449	4/1984	Wieczorek	.....	D6/188
D. 291,751	9/1987	Salvato	.....	D6/478 X
D. 315,261	3/1991	Ng et al.	.....	D6/426
D. 344,198	2/1994	Weinberger	.....	D6/428
D. 353,959	1/1995	Kovacevic	.....	D6/423 X

**1 Claim, 3 Drawing Sheets**

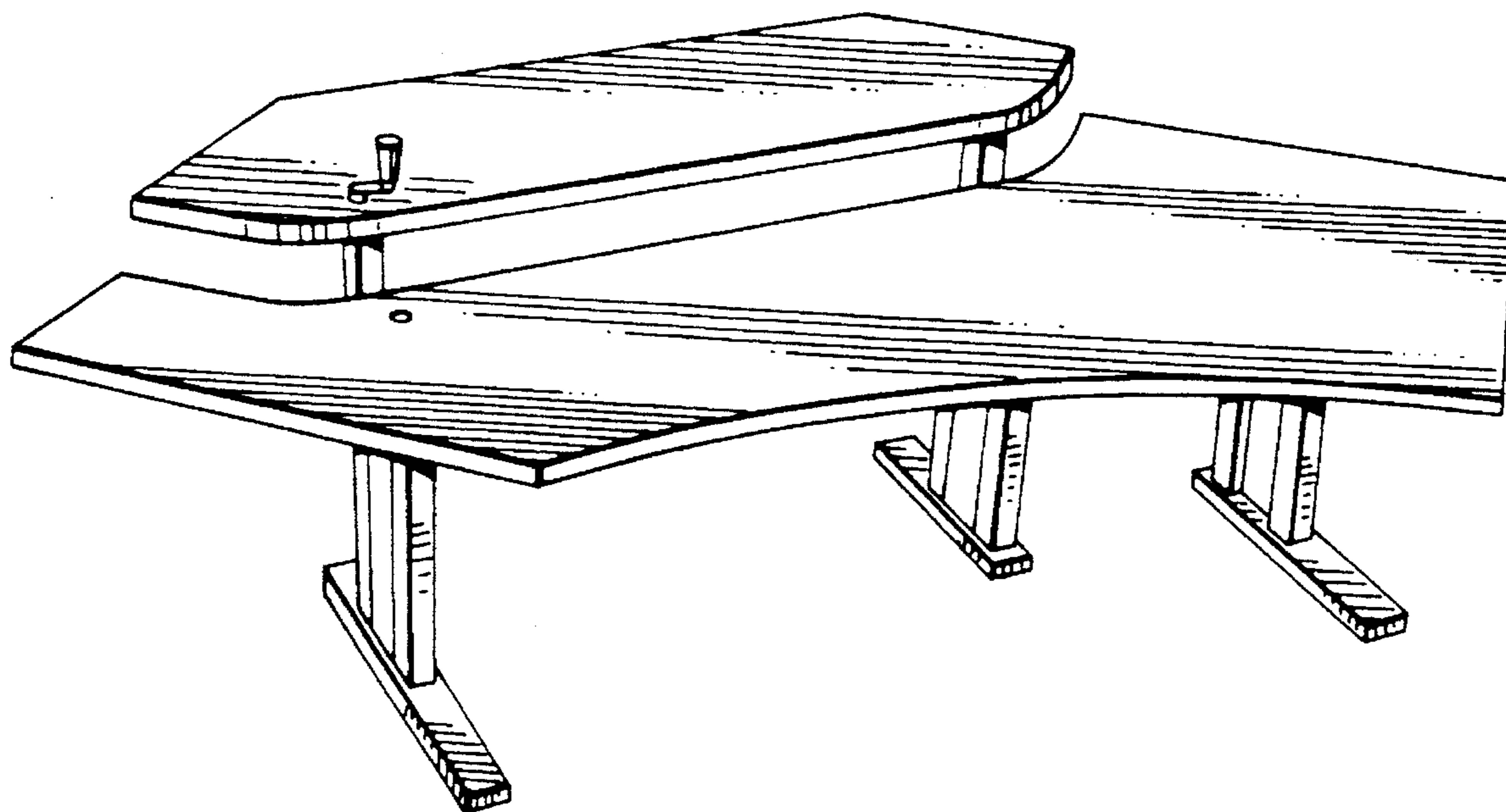


FIG. 1

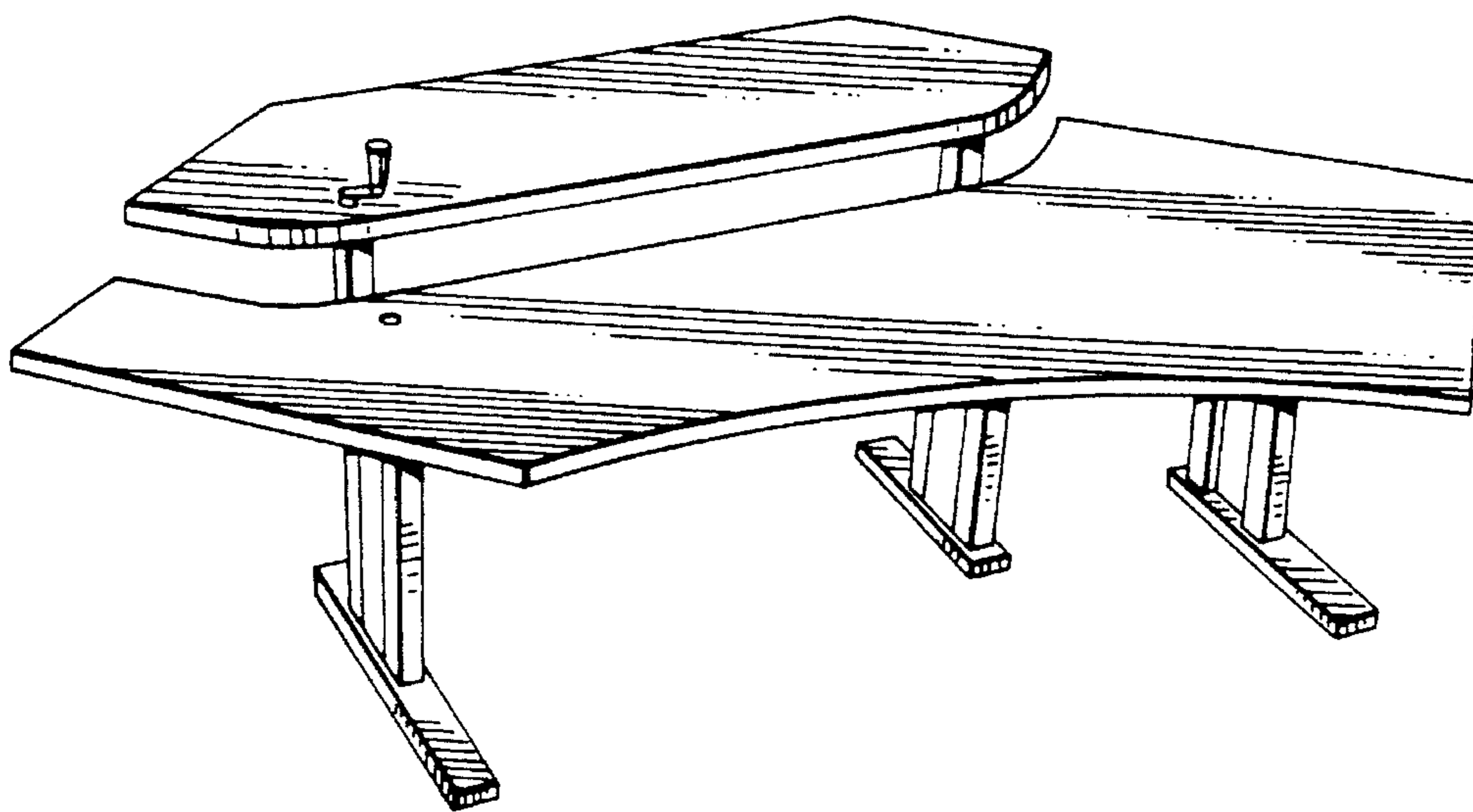


FIG. 2

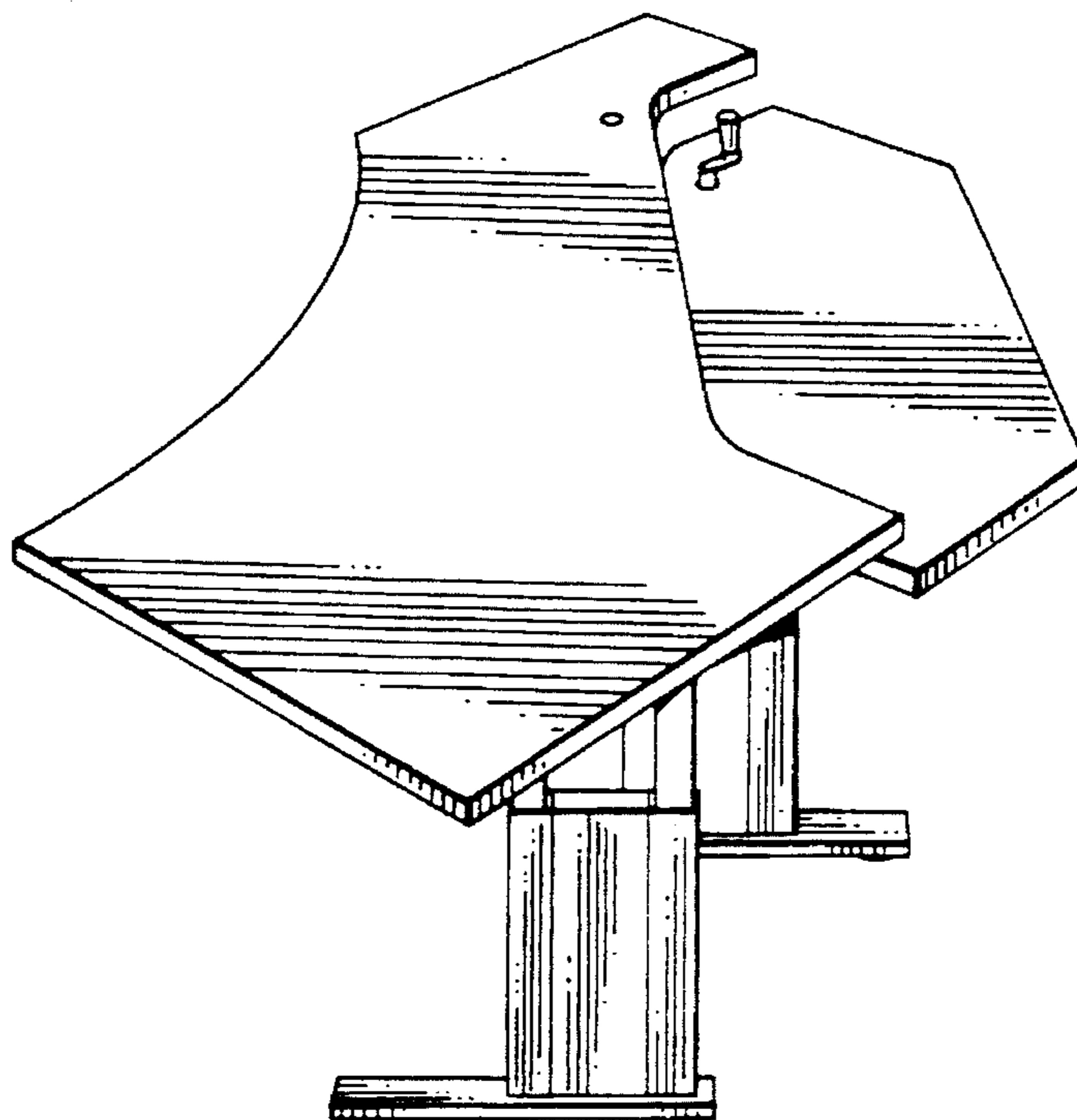


FIG. 3

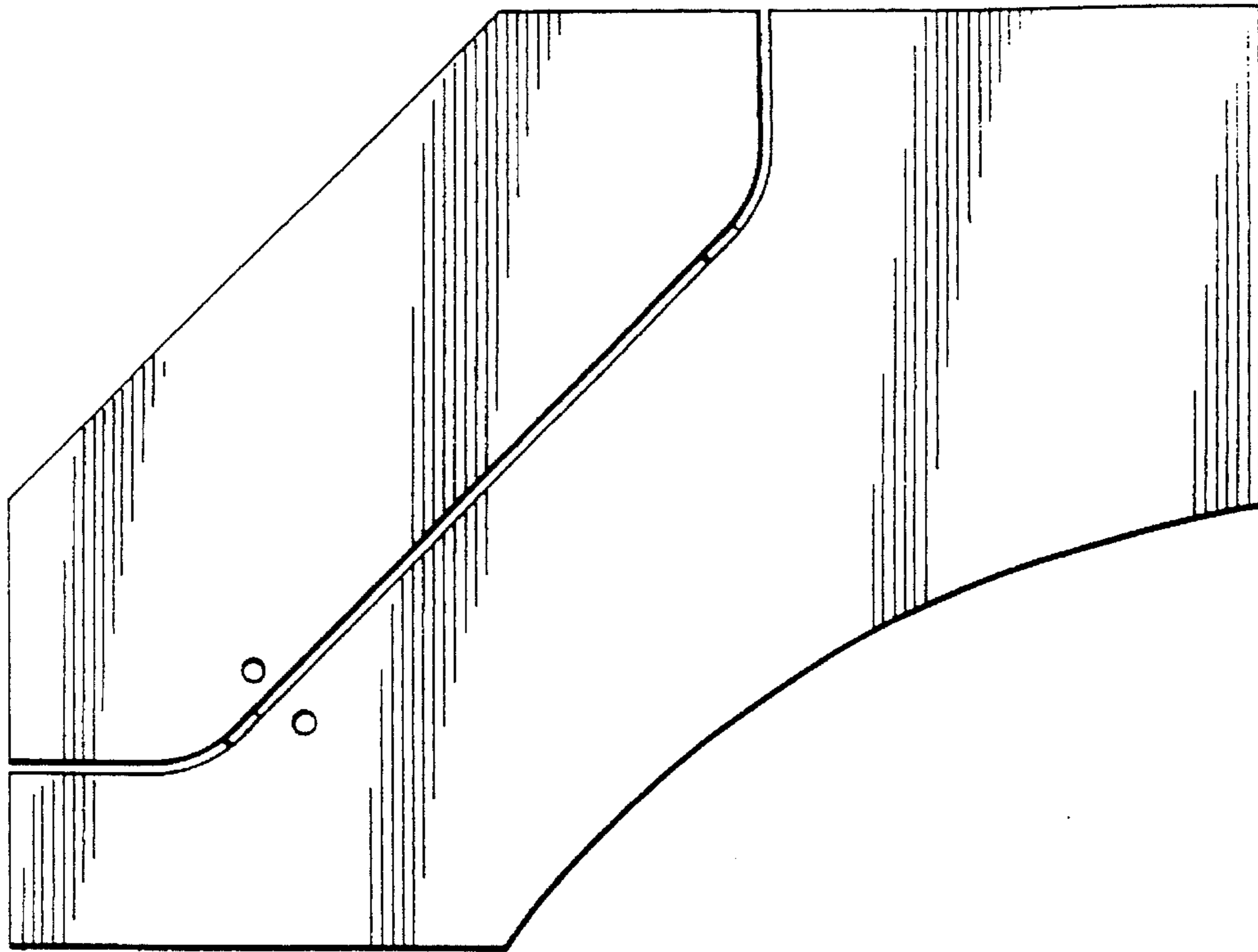


FIG. 4

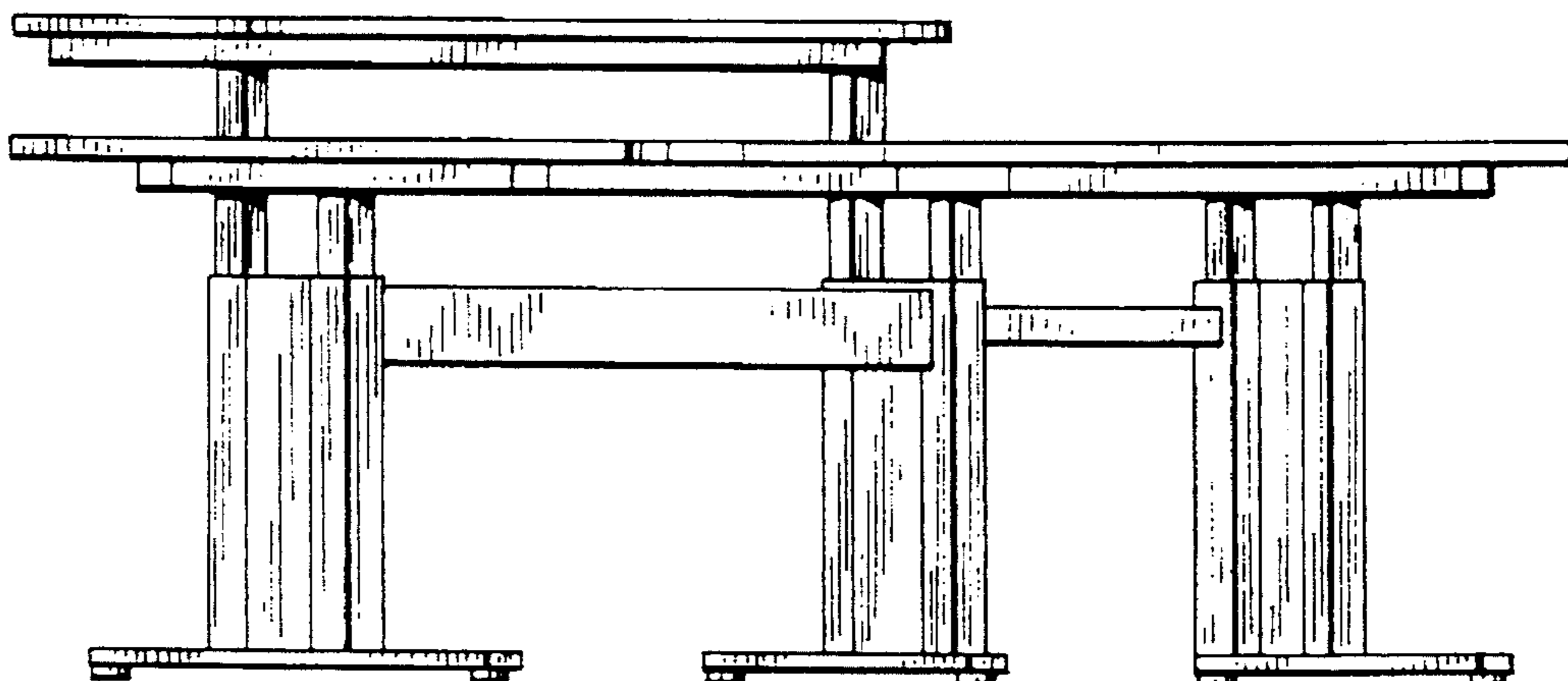


FIG. 5

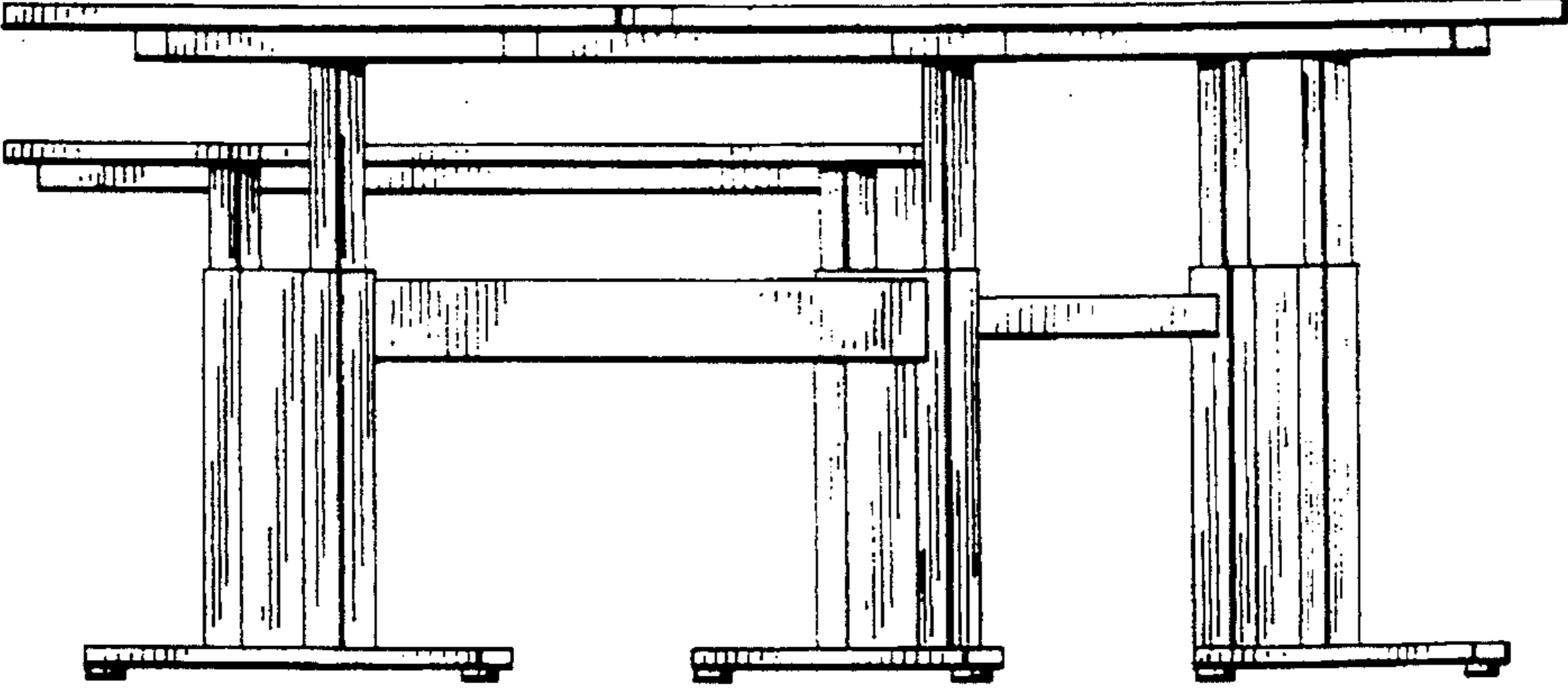


FIG. 6

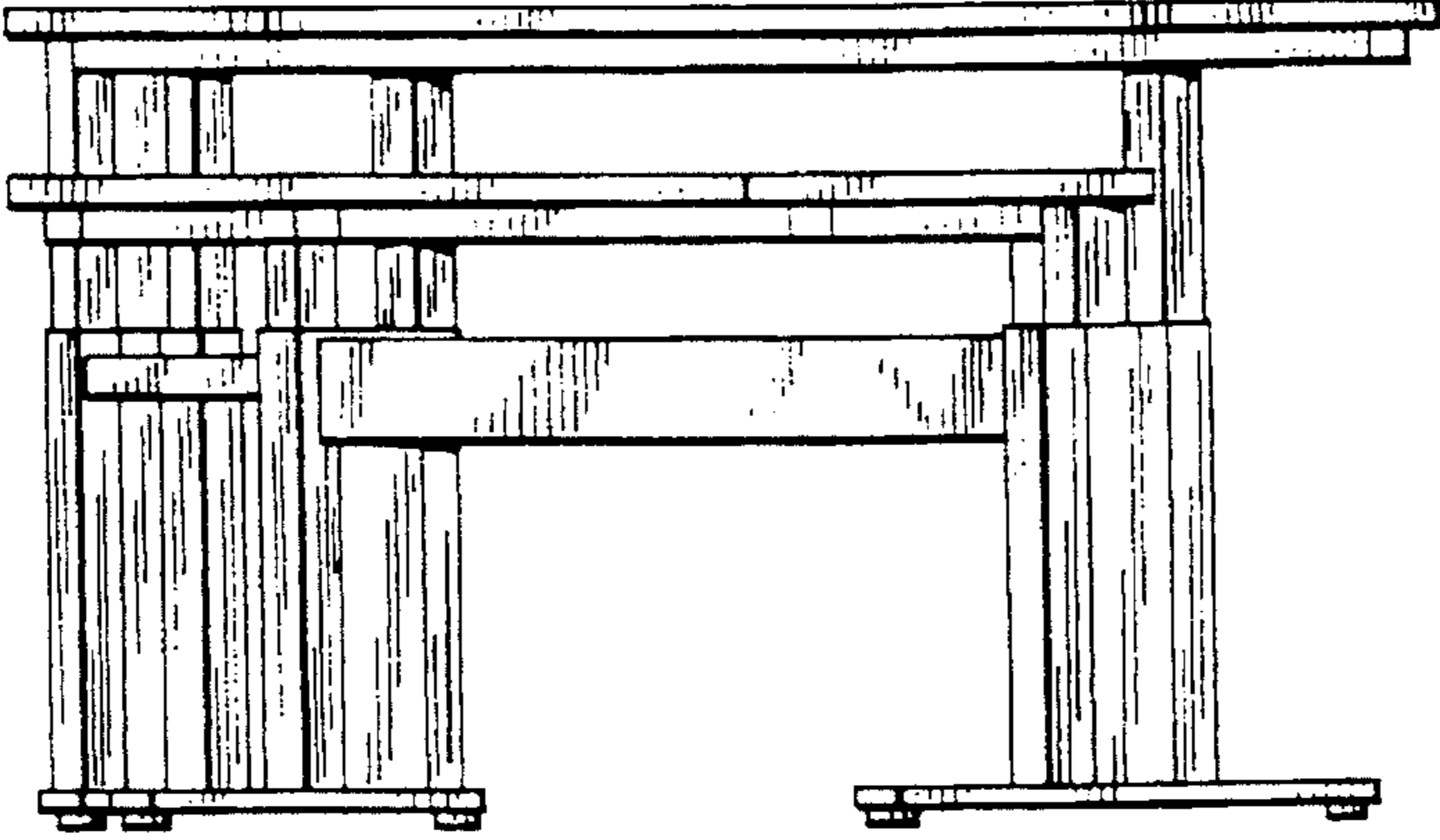


FIG. 7

