



US00D371683S

# United States Patent [19]

Tolleson et al.

[11] Patent Number: **Des. 371,683**

[45] Date of Patent: **\*\*Jul. 16, 1996**

[54] **OFFICE CHAIR**

[75] Inventors: **Thomas H. Tolleson; Gregory M. Saul**, both of Charlotte, N.C.

[73] Assignee: **Allsteel Inc.**, Aurora, Ill.

[\*\*] Term: **14 Years**

[21] Appl. No.: **31,932**

[22] Filed: **Dec. 8, 1994**

[52] U.S. Cl. .... **D6/366**

[58] Field of Search ..... D6/334, 365, 366, D6/379, 500, 501, 502; 297/411.2, 411.44

[56] **References Cited**

**U.S. PATENT DOCUMENTS**

- D. 264,643 6/1982 Pelly ..... D6/366
- D. 340,589 10/1993 Chu ..... D6/366

**OTHER PUBLICATIONS**

Interiors, Dec. 1979, p. 20, Samsonite chair at top center. Helena, p. 4, chair shown.

Primary Examiner—Gary D. Watson

Attorney, Agent, or Firm—Lee, Mann, Smith, McWilliams, Sweeney & Ohlson

[57] **CLAIM**

The ornamental design for an office chair, as shown and described.

**DESCRIPTION**

FIG. 1 is a perspective view of the office chair showing the new design;

FIG. 2 is a left-hand side elevational view thereof;

FIG. 3 is a right-hand side elevational view thereof;

FIG. 4 is a front elevational view thereof;

FIG. 5 is a back elevational view thereof;

FIG. 6 is a top view thereof;

FIG. 7 is a bottom view thereof; and,

FIG. 8 is a perspective view of an alternate embodiment thereof showing an alternate surface design for the backrest and seat thereof.

**1 Claim, 4 Drawing Sheets**

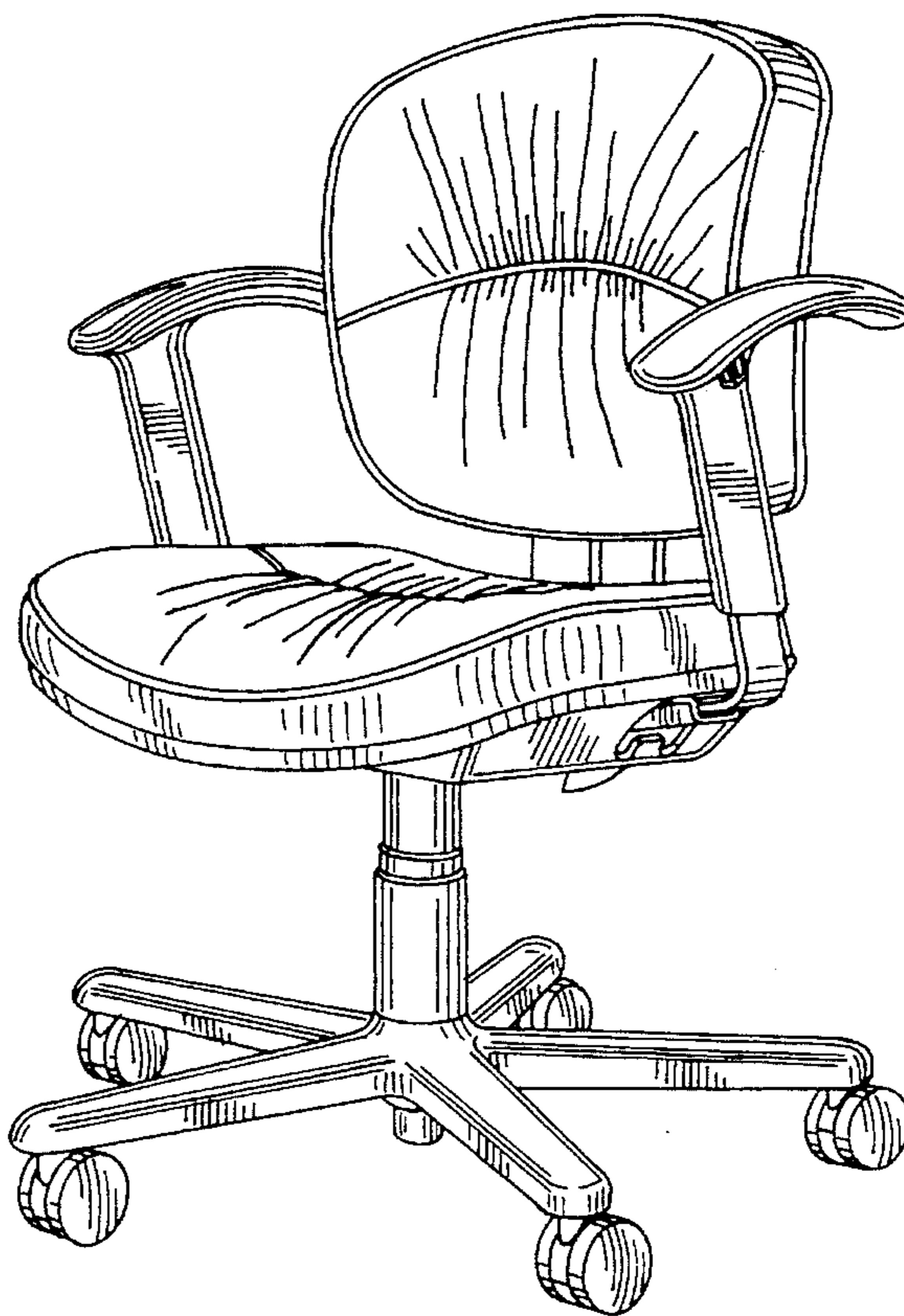
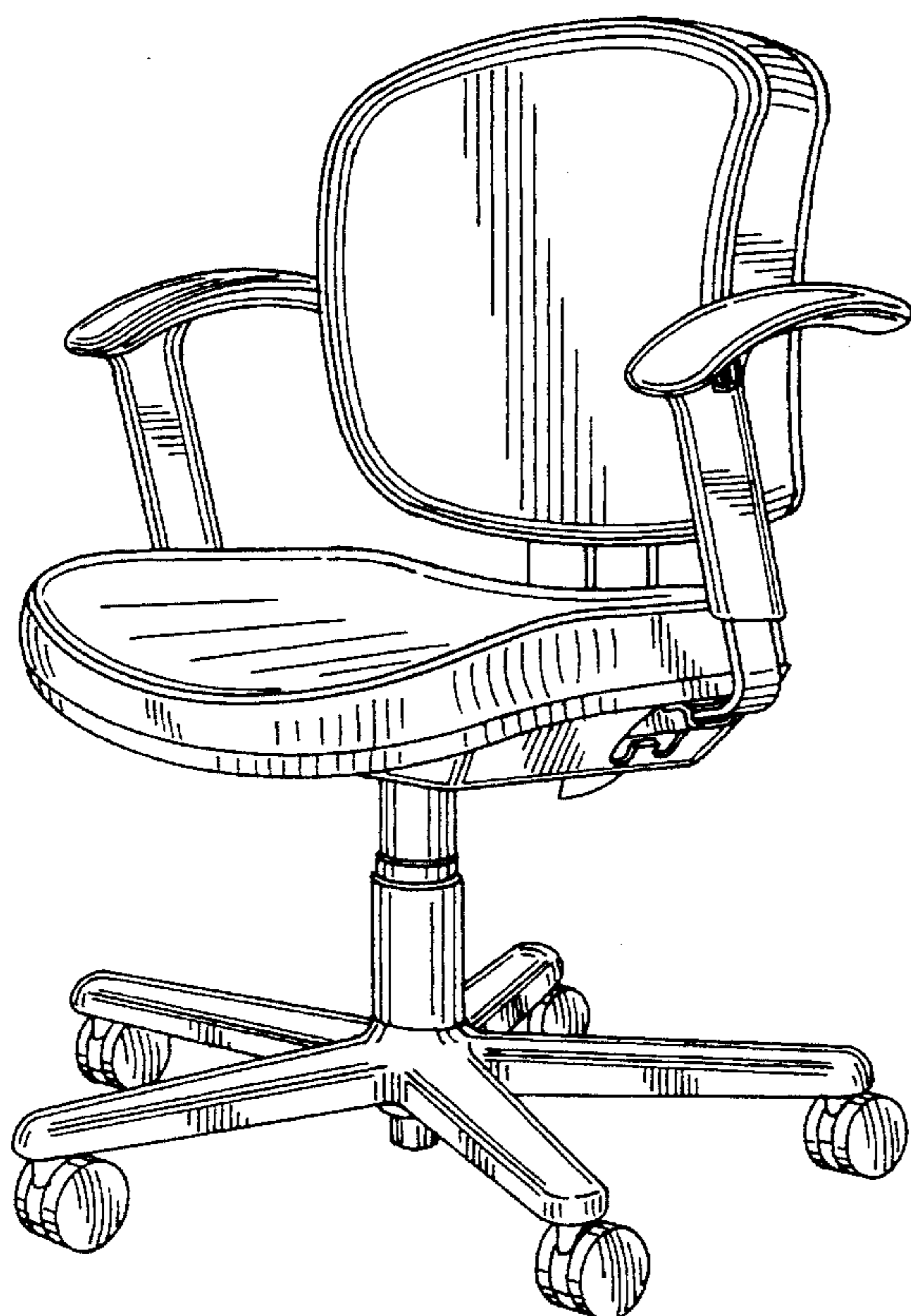


FIG. 8

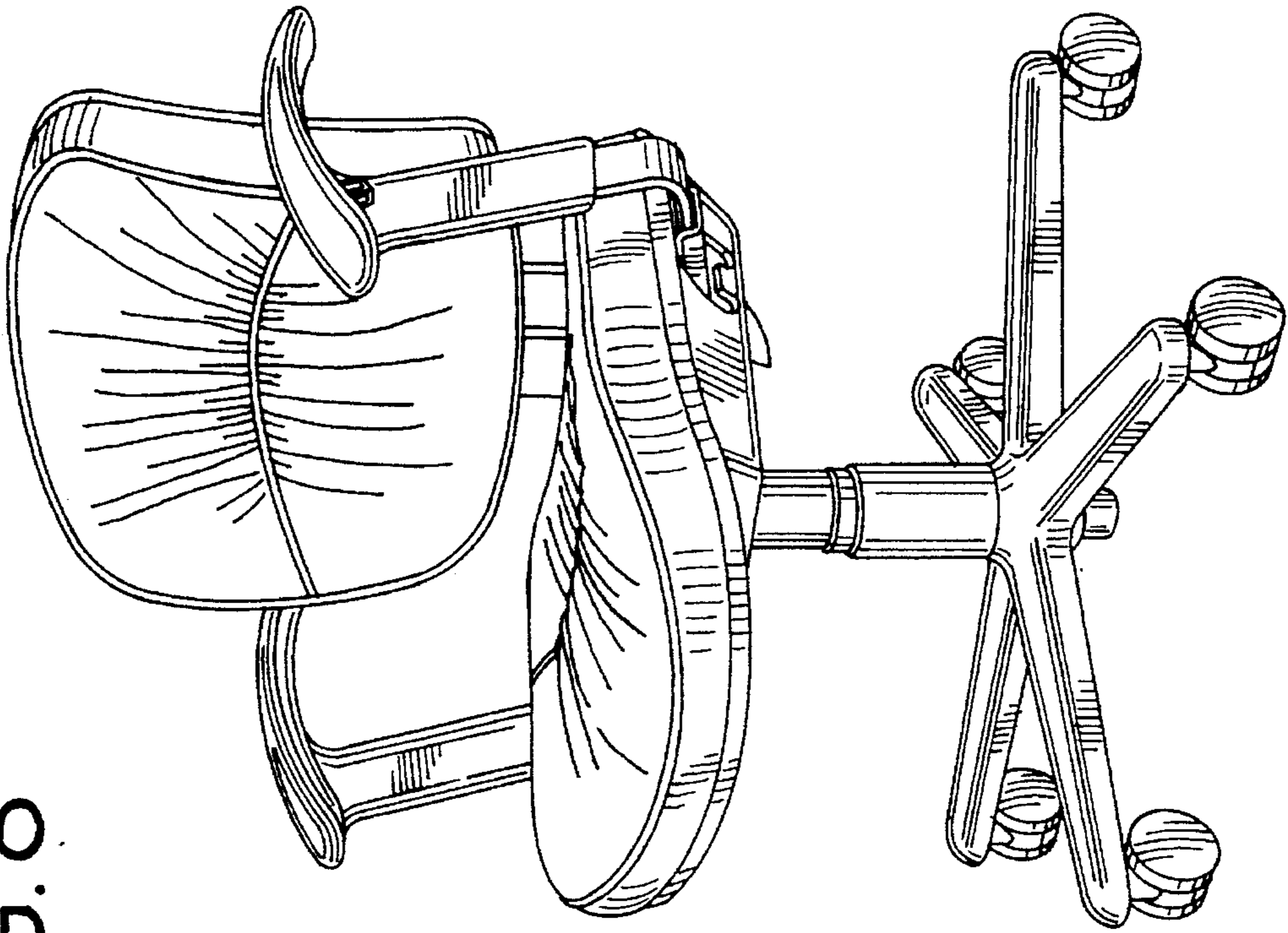


FIG. 1

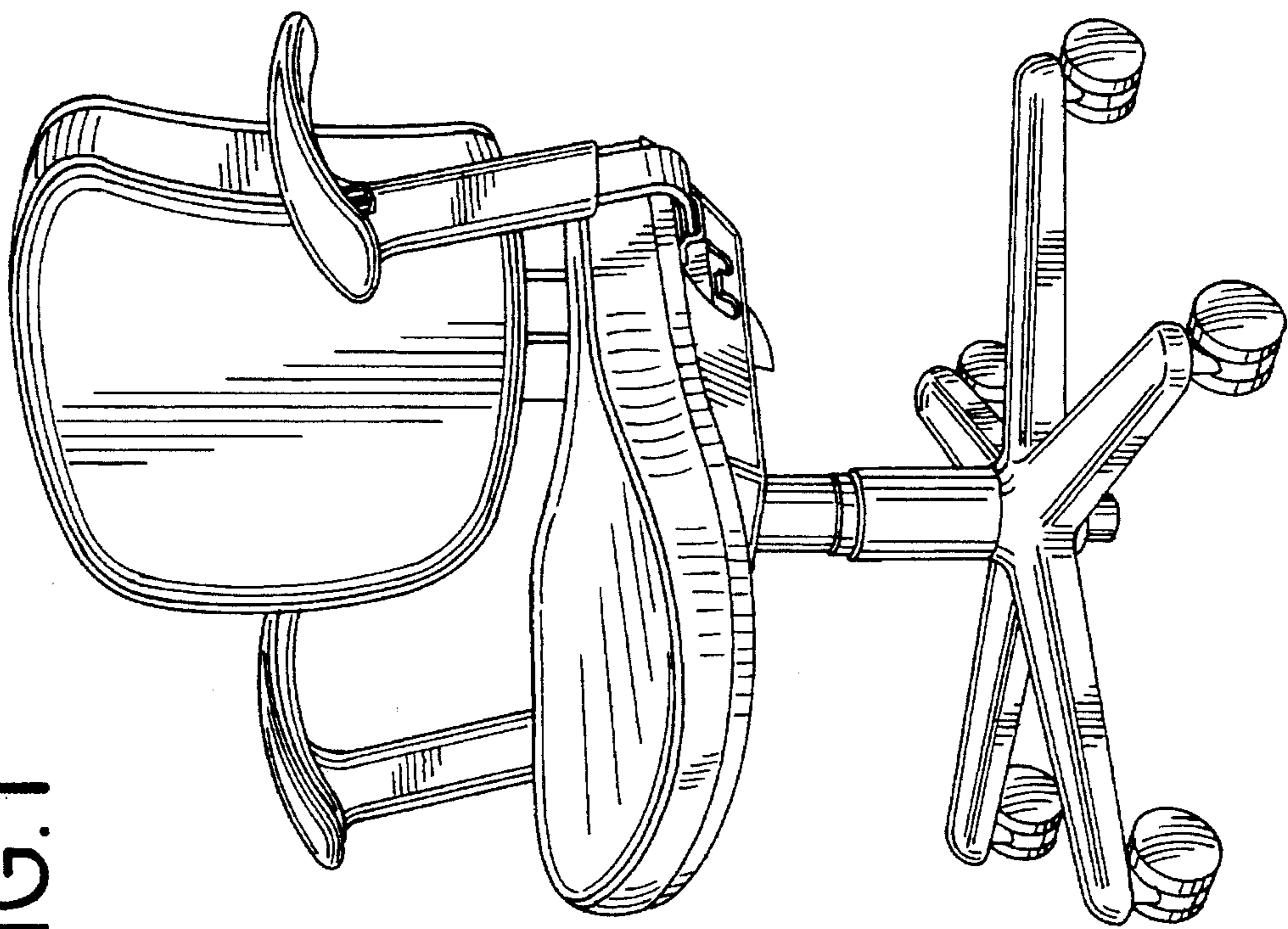


FIG. 3

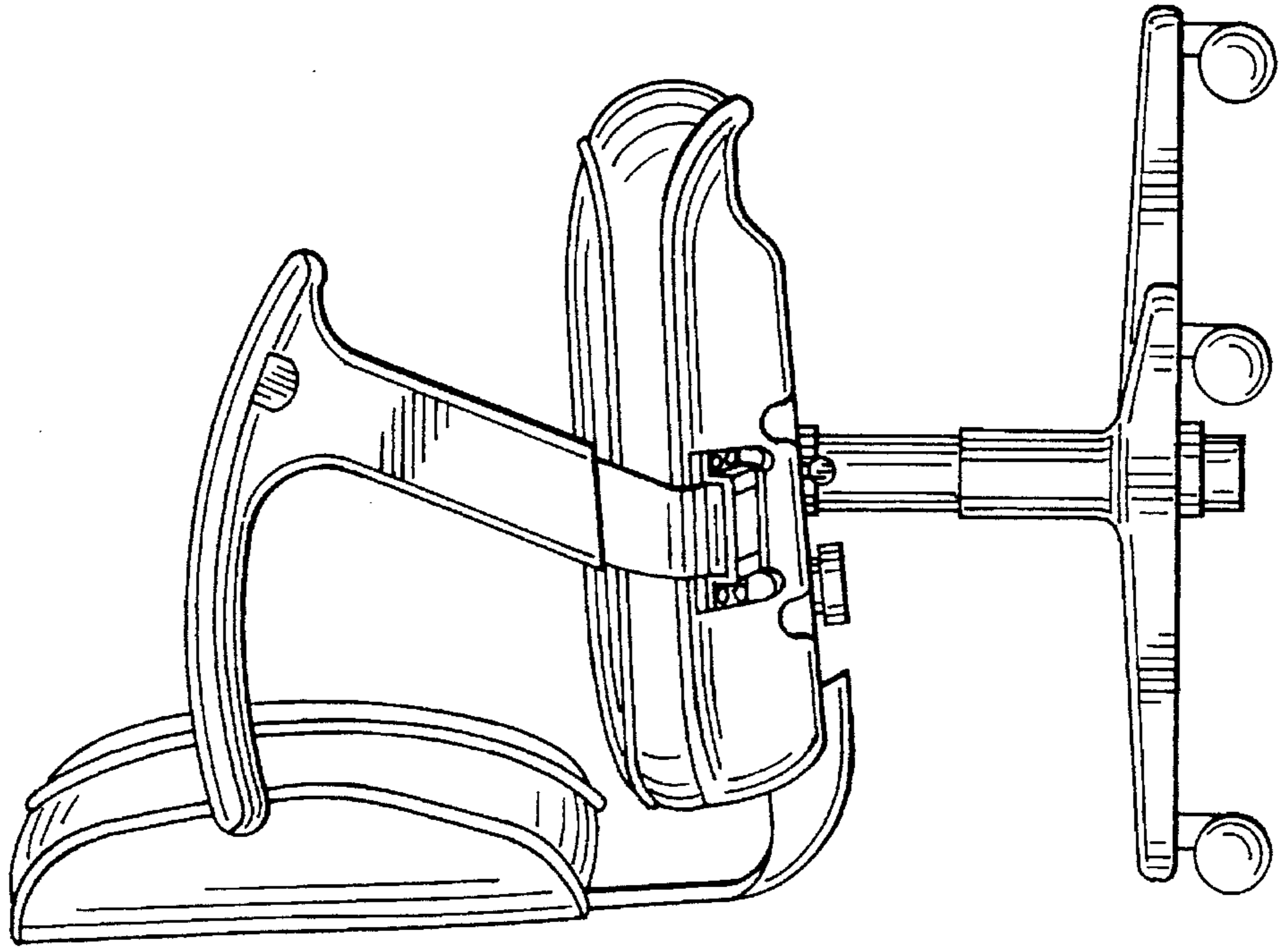


FIG. 2

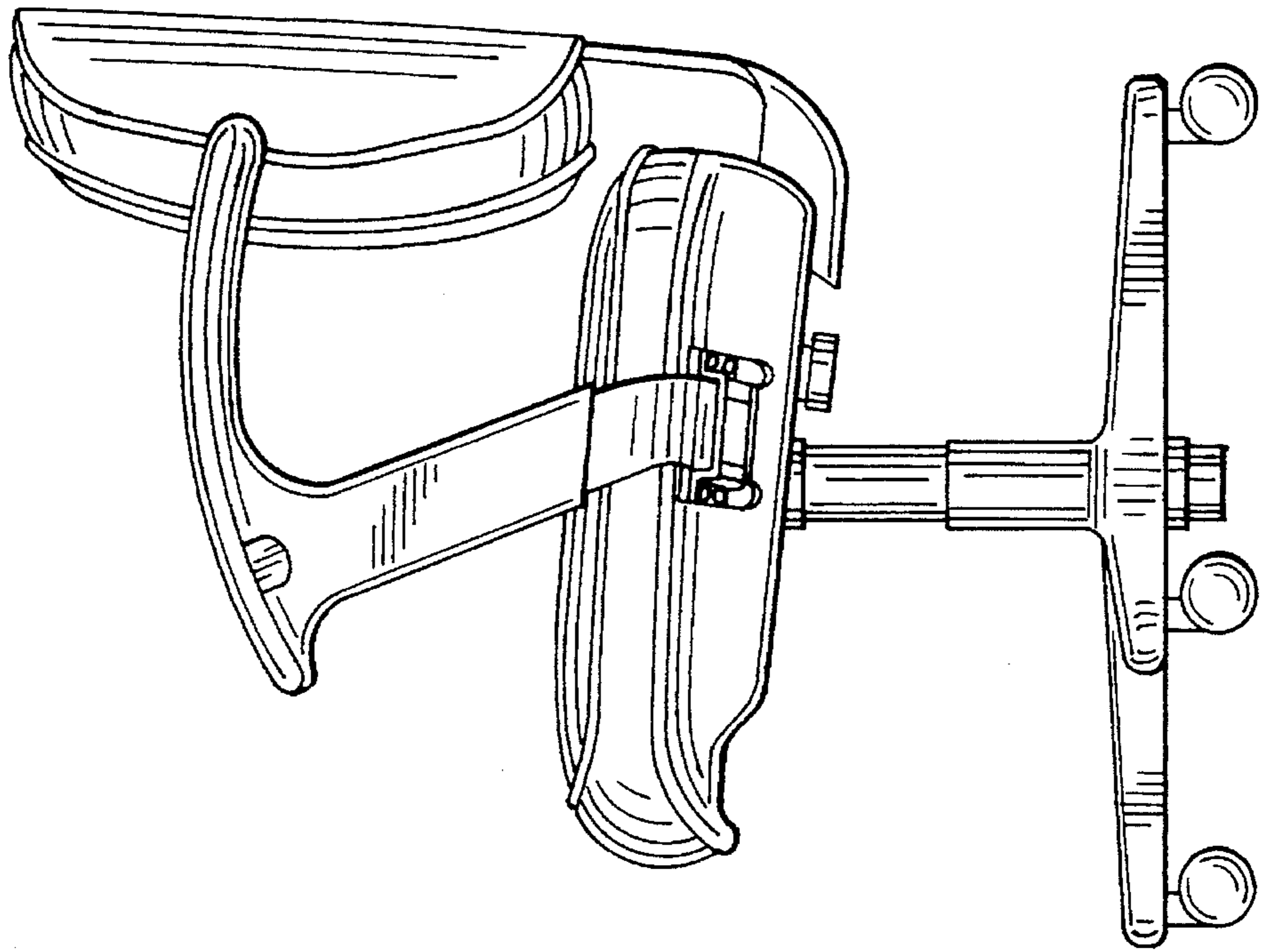


FIG.5

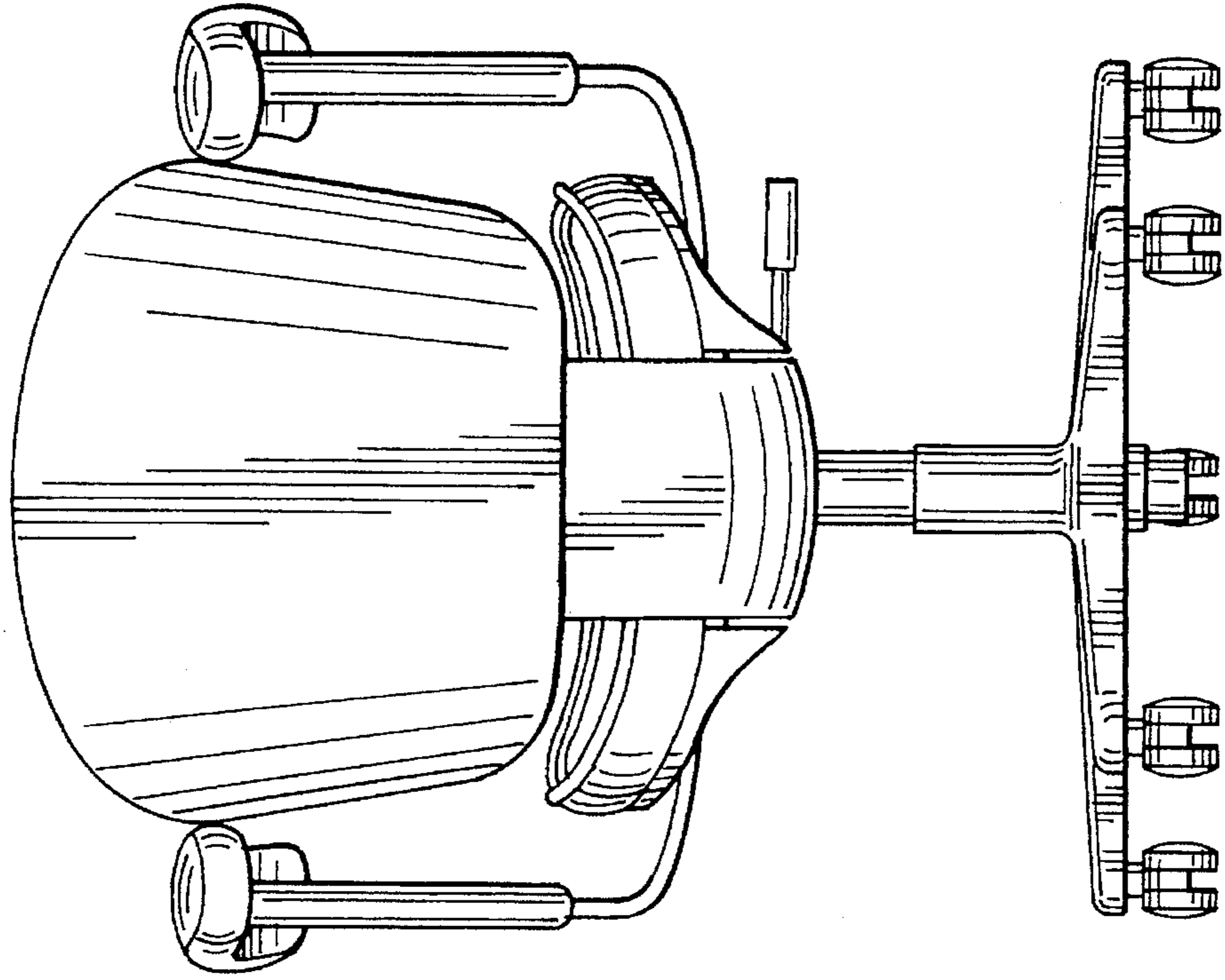


FIG.4

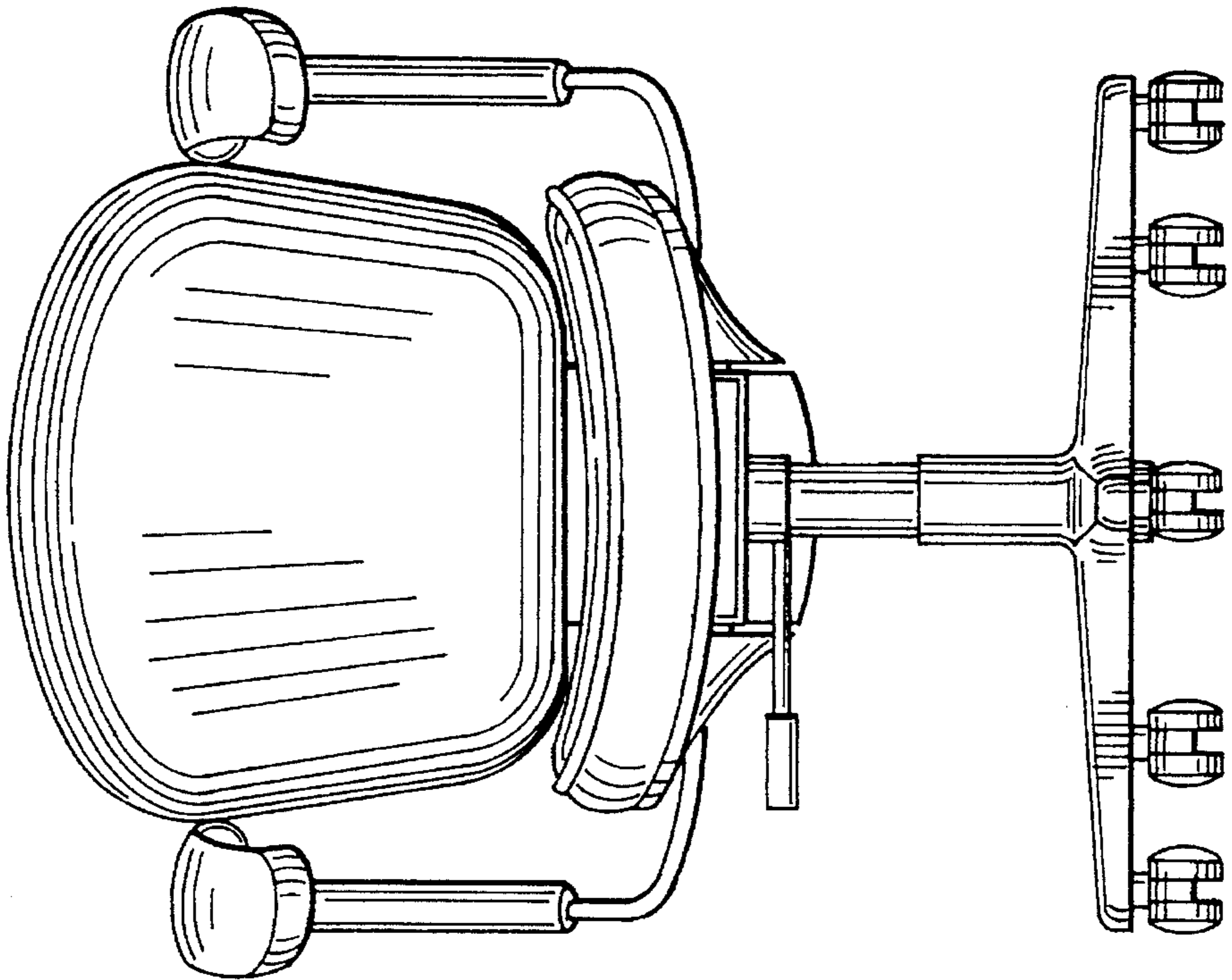


FIG. 7

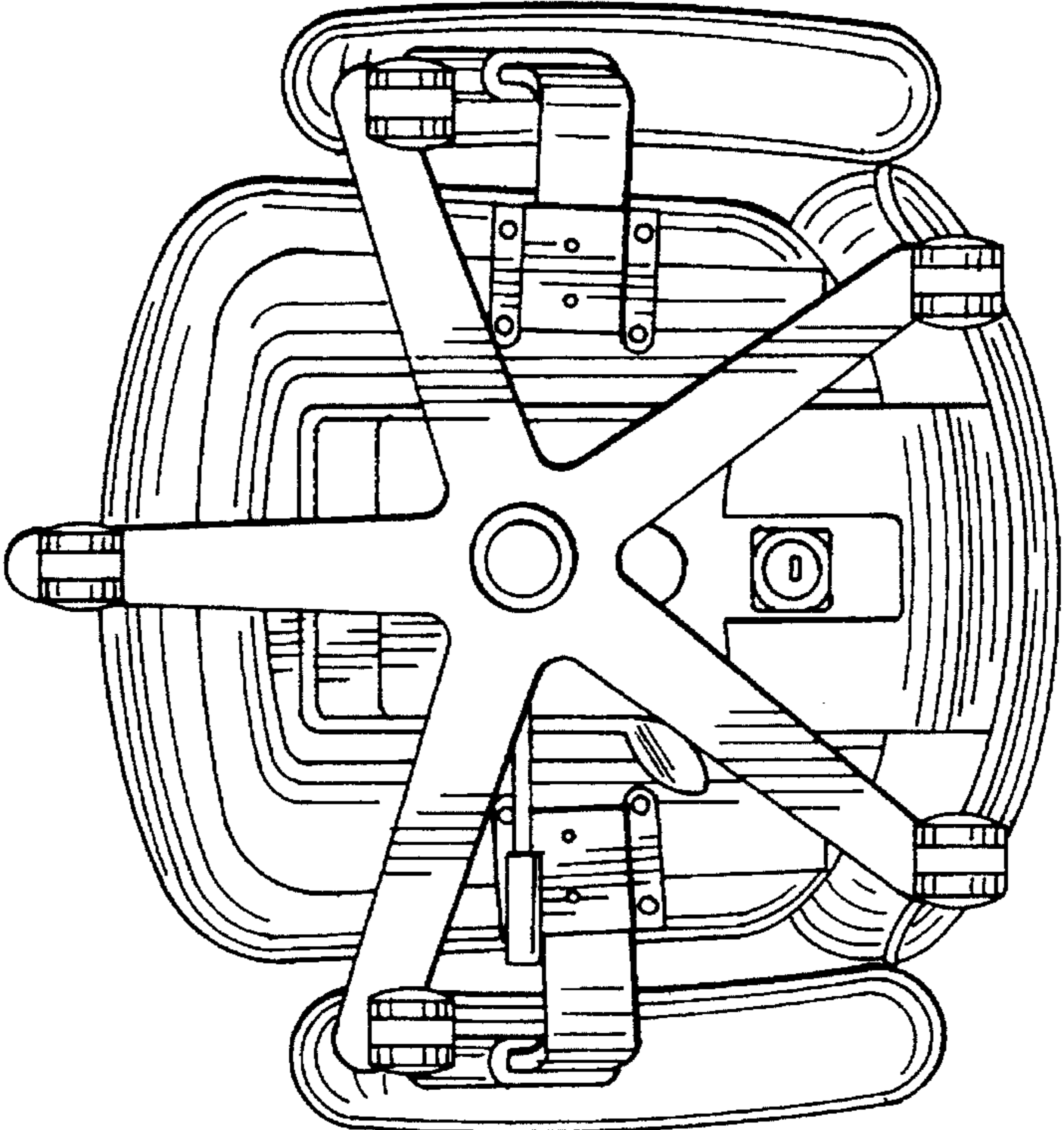


FIG. 6

