



US00D371676S

United States Patent [19]

Geddes, Sr.

[11] Patent Number: **Des. 371,676**

[45] Date of Patent: ****Jul. 16, 1996**

[54] **BACKPACK FOR A VACUUM CLEANER**

[76] Inventor: **Donald J. Geddes, Sr.**, 81 Eagle Valley Rd., Sloatsburg, N.Y. 10974

[**] Term: **14 Years**

[21] Appl. No.: **37,272**

[22] Filed: **Apr. 10, 1995**

[52] U.S. Cl. **D3/216**

[58] Field of Search D3/202, 214, 216, D3/217, 218, 215, 229, 316, 327; D32/54; 224/153, 156, 908, 312; 294/147; 383/24, 80, 110

[56] **References Cited**

U.S. PATENT DOCUMENTS

| | | | | |
|------------|---------|------------|-------|--------|
| D. 224,630 | 8/1972 | Casavant | | D3/216 |
| D. 240,566 | 7/1976 | Westerberg | | D3/216 |
| D. 296,268 | 6/1988 | Bozarth | | D32/54 |
| D. 304,879 | 12/1989 | Mitchell | | D3/217 |
| D. 305,078 | 12/1989 | Moore | | D3/216 |
| D. 306,379 | 3/1990 | Kobasic | | D3/216 |
| D. 333,071 | 2/1993 | Lim | | D3/229 |

| | | | | |
|------------|--------|---------------|-------|---------|
| D. 354,849 | 1/1995 | Herman et al. | | D3/216 |
| 3,250,449 | 5/1966 | Woodman | | 224/156 |
| 3,690,525 | 9/1972 | Koons | | 224/156 |
| 3,881,644 | 5/1975 | Demaline | | 224/153 |

Primary Examiner—Celia Murphy
Attorney, Agent, or Firm—Harpman & Harpman

[57] **CLAIM**

The ornamental design for a backpack for a vacuum cleaner, as shown and described.

DESCRIPTION

FIG. 1 is a front, top and side perspective view of a backpack for a vacuum cleaner embodying the design of the present invention;

FIG. 2 is a side elevational view thereof, the side opposite being a mirror image of the side shown in FIG. 2;

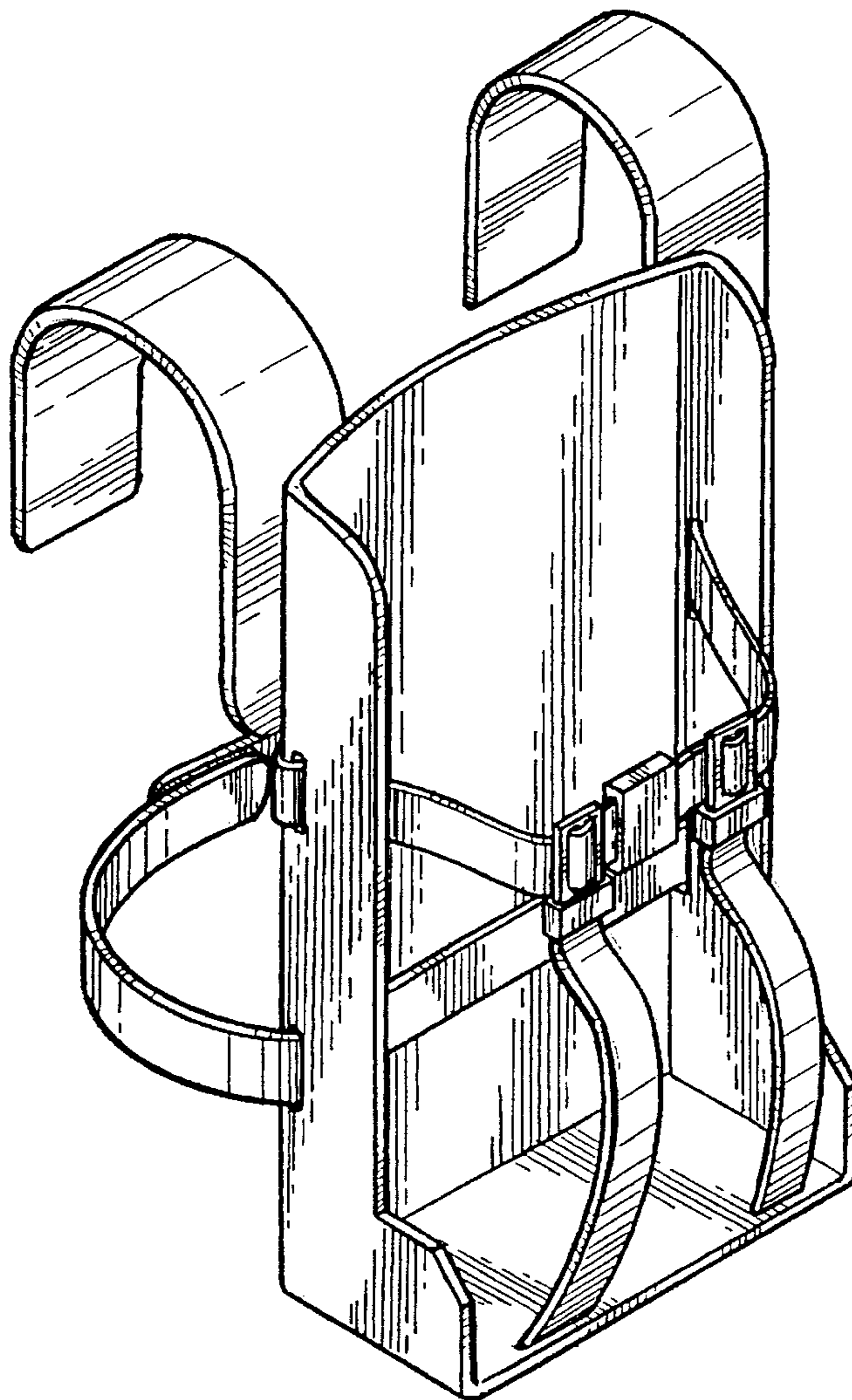
FIG. 3 is a front elevational view thereof, the waist strap shown flattened;

FIG. 4 is a rear elevational view of FIG. 3;

FIG. 5 is a top plan view of FIG. 1; and,

FIG. 6 is a bottom plan view of FIG. 1.

1 Claim, 4 Drawing Sheets



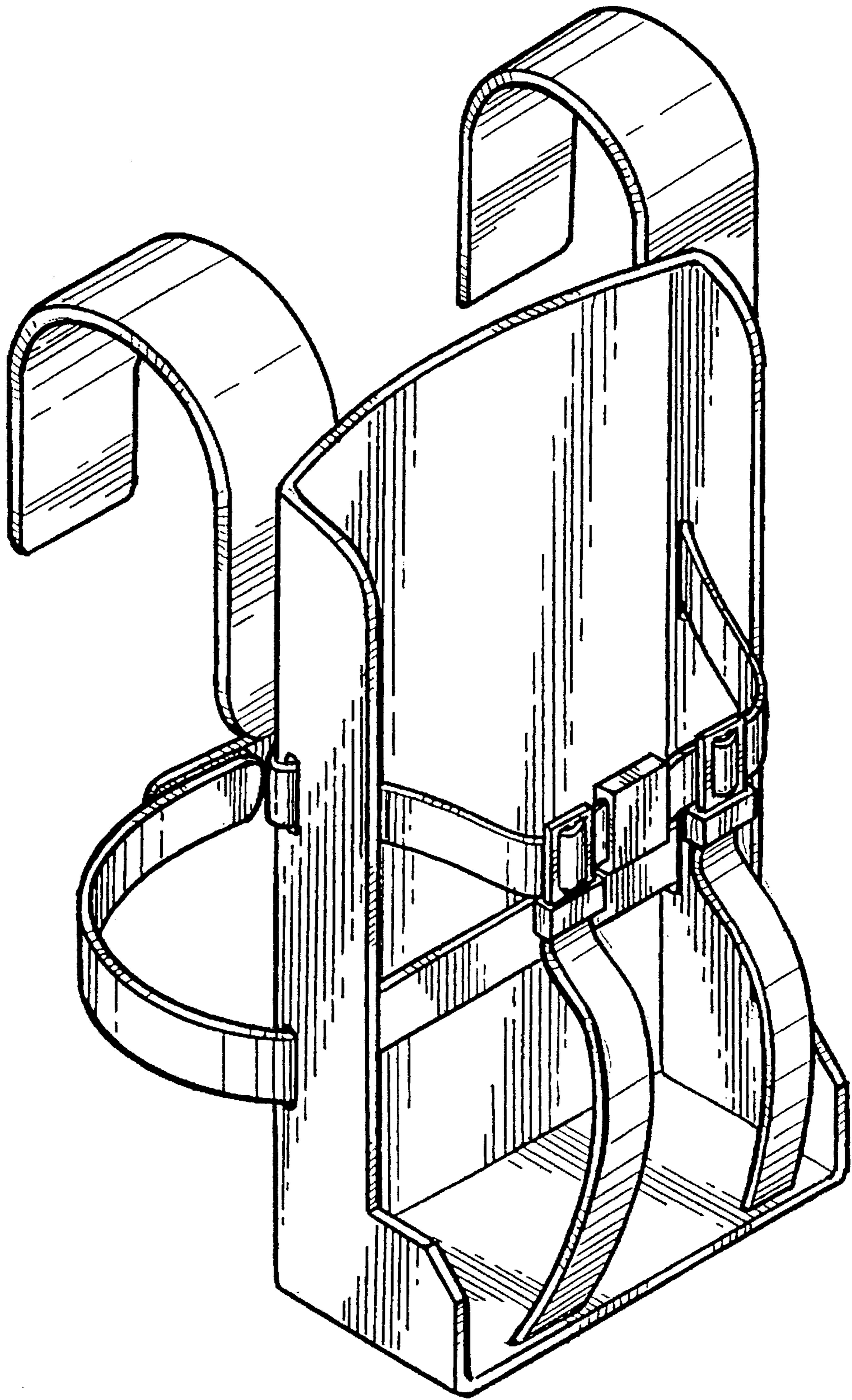


FIG. 1

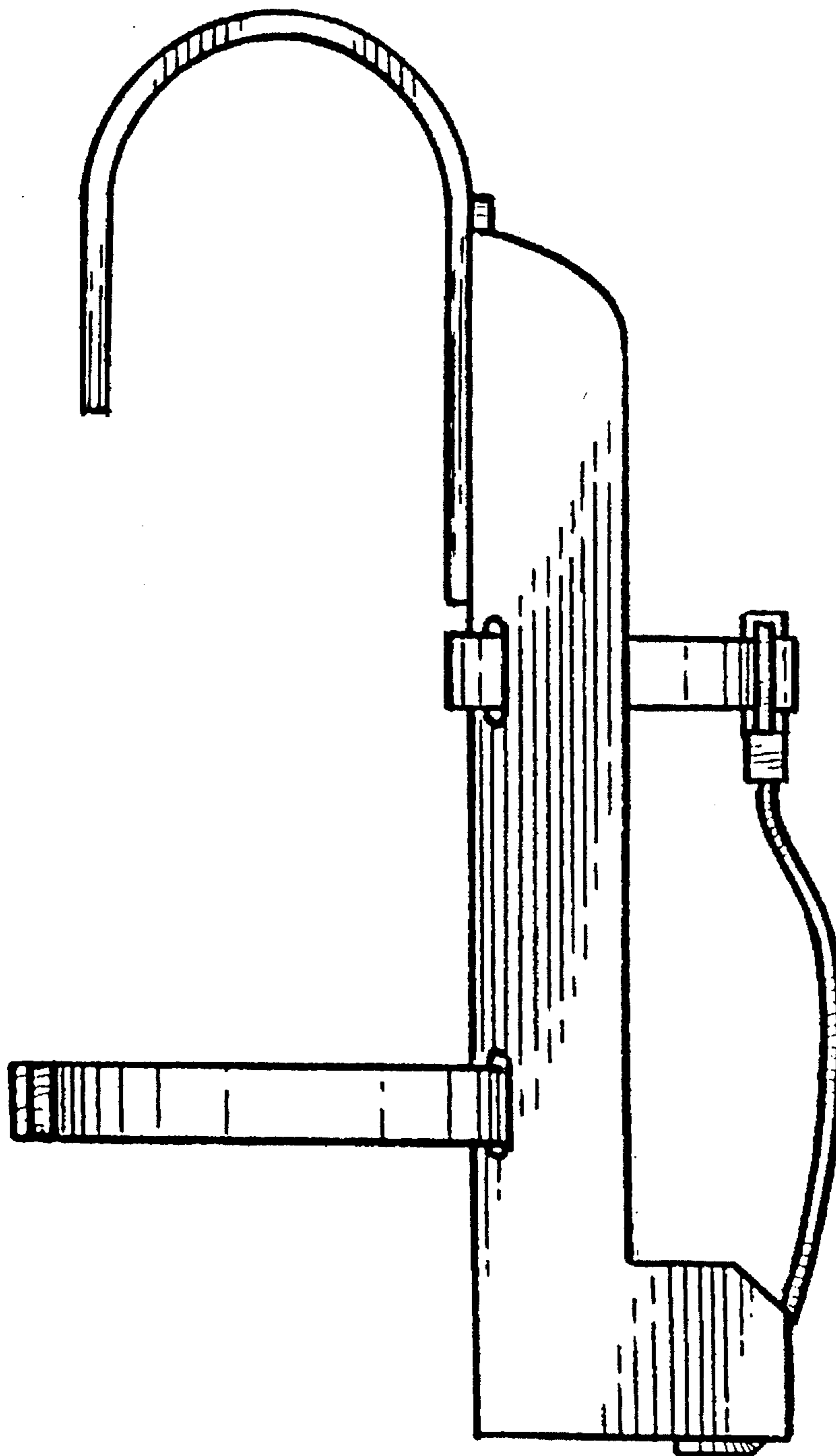


FIG. 2

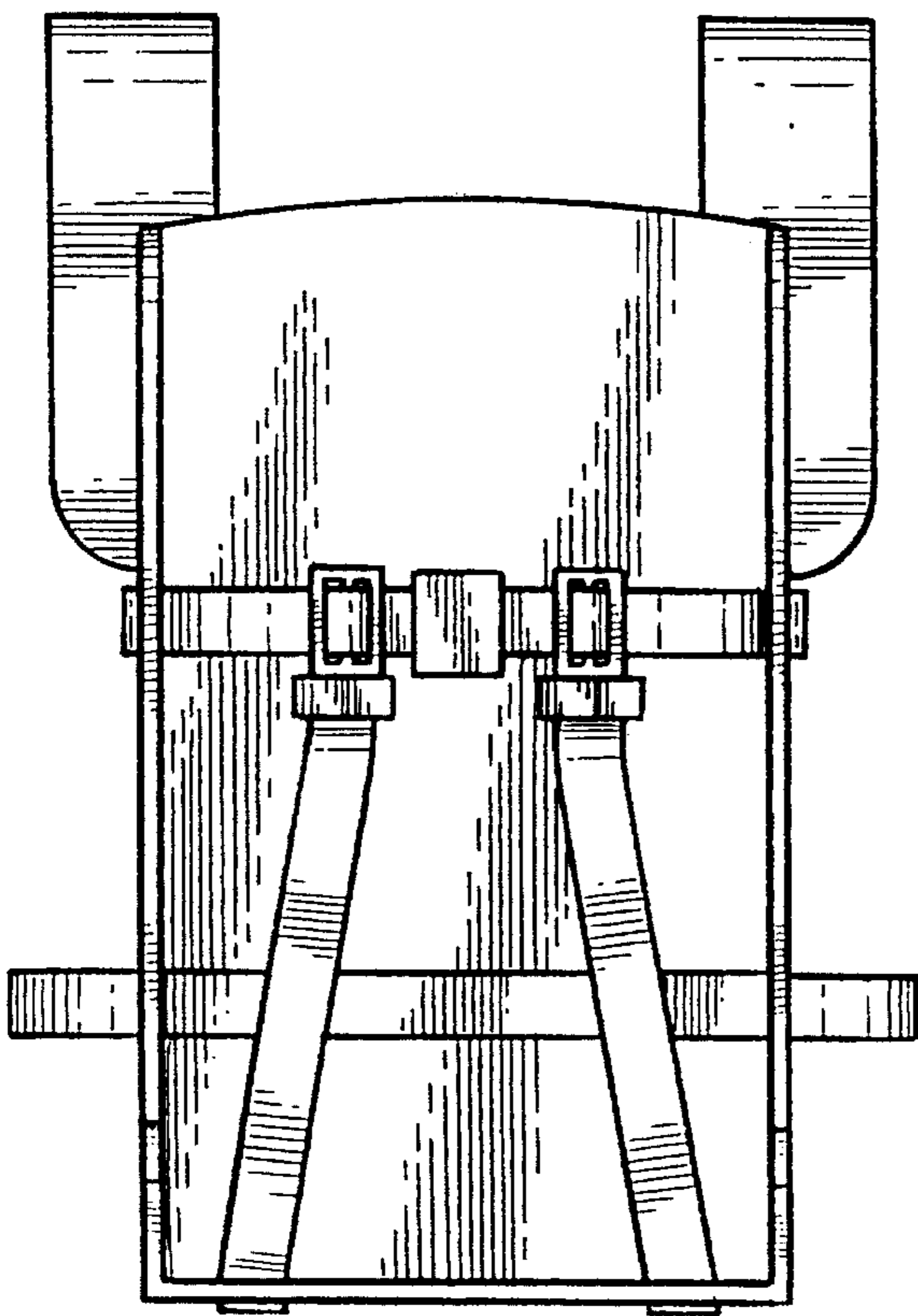


FIG. 3

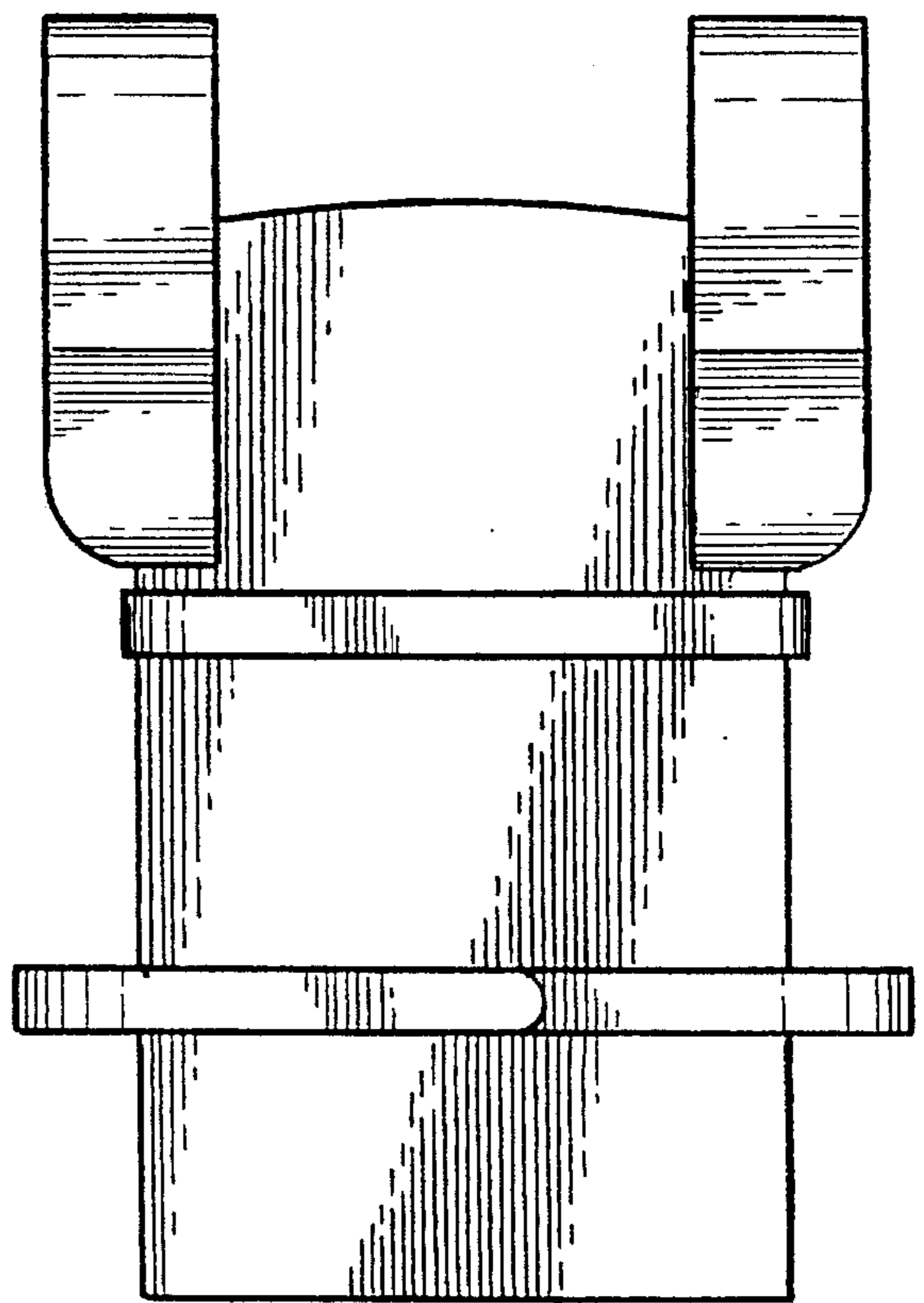


FIG. 4

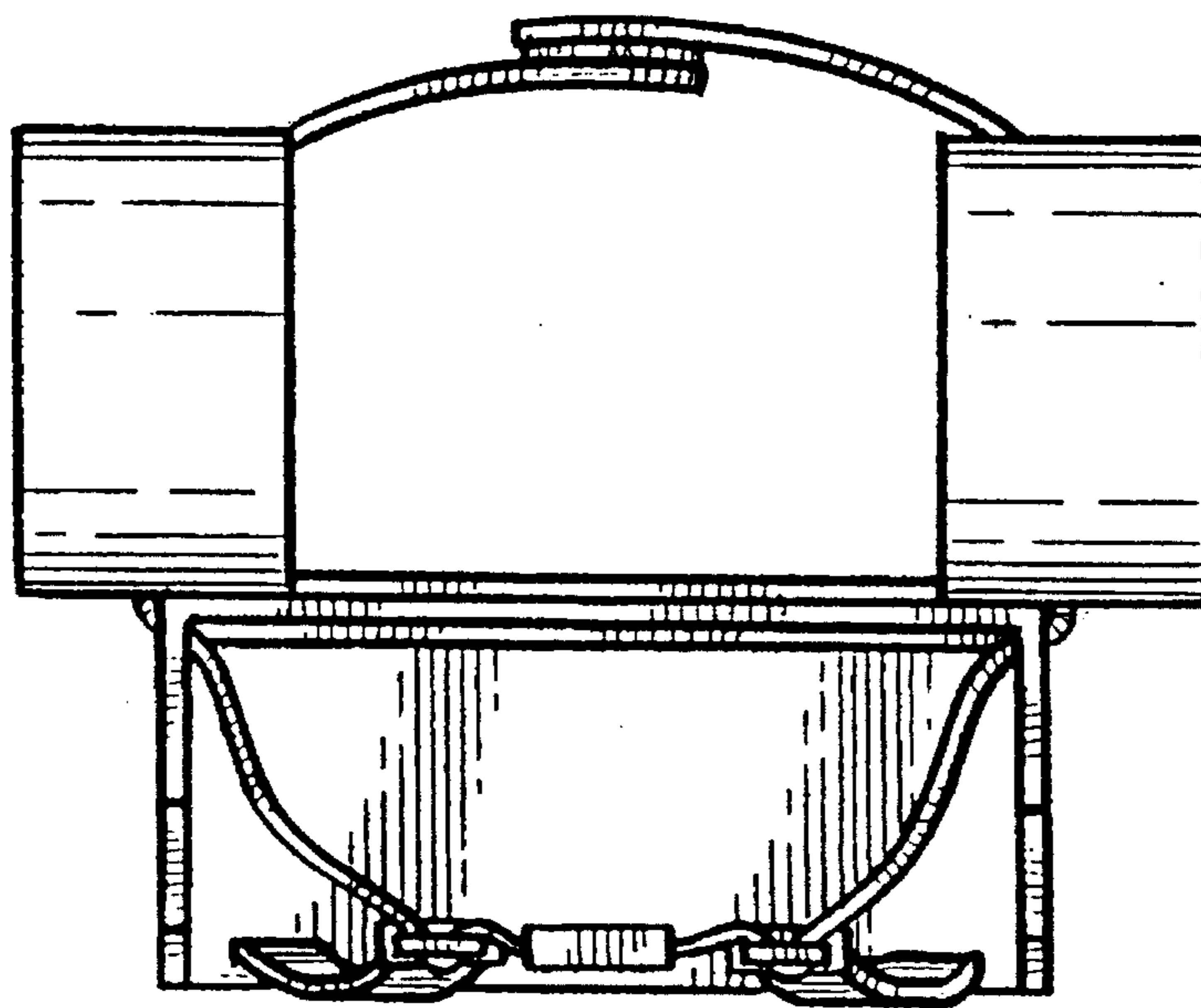


FIG. 5

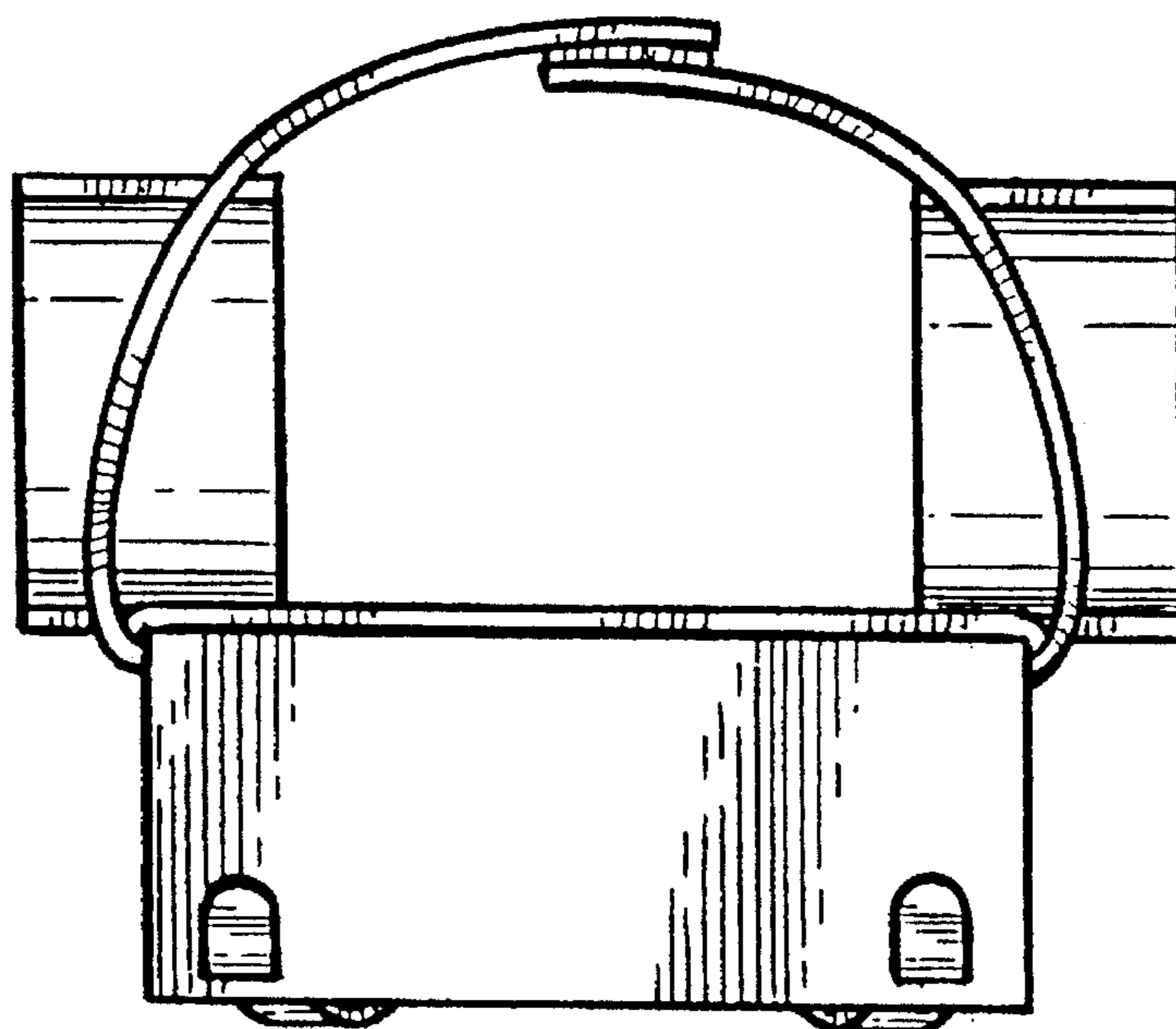


FIG. 6