



US00D371670S

United States Patent [19]
Carlsson

[11] **Patent Number:** **Des. 371,670**

[45] **Date of Patent:** ****Jul. 9, 1996**

[54] **PALLET**

[75] Inventor: **Robin Carlsson**, Västerås, Sweden

[73] Assignee: **Perstorp AB**, Perstorp, Sweden

[**] Term: **14 Years**

[21] Appl. No.: **32,516**

[22] Filed: **Dec. 20, 1994**

[30] **Foreign Application Priority Data**

Jun. 22, 1994 [SE] Sweden 941403

[52] **U.S. Cl.** **D34/38**

[58] **Field of Search** D34/38; 248/346;
108/51.1, 52.1, 53.1, 53.3, 54.1, 55.3, 56.1,
57.1, 901, 902

[56] **References Cited**

U.S. PATENT DOCUMENTS

D. 267,126 11/1982 Jonebrant D34/38

3,611,952 10/1971 Hoffman 108/53.3

3,951,078 4/1976 Fowler et al. 108/51.1

Primary Examiner—A. Hugo Word

Assistant Examiner—Robin V. Taylor

Attorney, Agent, or Firm—Stevens, Davis, Miller & Mosher

[57] **CLAIM**

The ornamental design for a pallet, as shown and described.

DESCRIPTION

FIG. 1 is a perspective view showing the top, front and right side of my novel design for a pallet;

FIG. 2 is a perspective view thereof showing the top, rear and left side;

FIG. 3 is a perspective view thereof showing the bottom, front and left side;

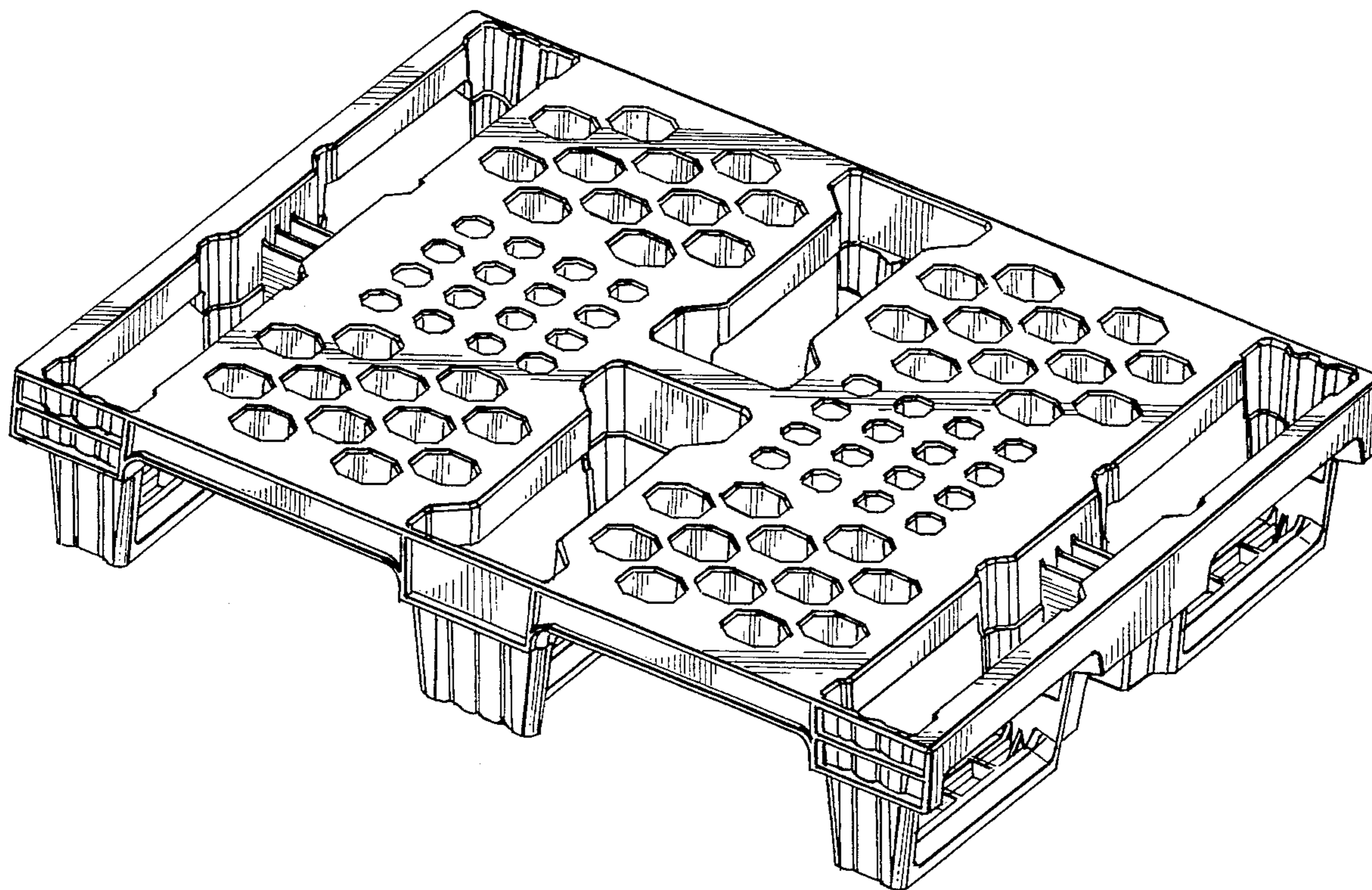
FIG. 4 is a top plan view thereof;

FIG. 5 is a bottom plan view thereof;

FIG. 6 is a front elevation thereof, the rear elevation being a mirror image; and,

FIG. 7 is an end view thereof, the other end being a mirror image.

1 Claim, 6 Drawing Sheets



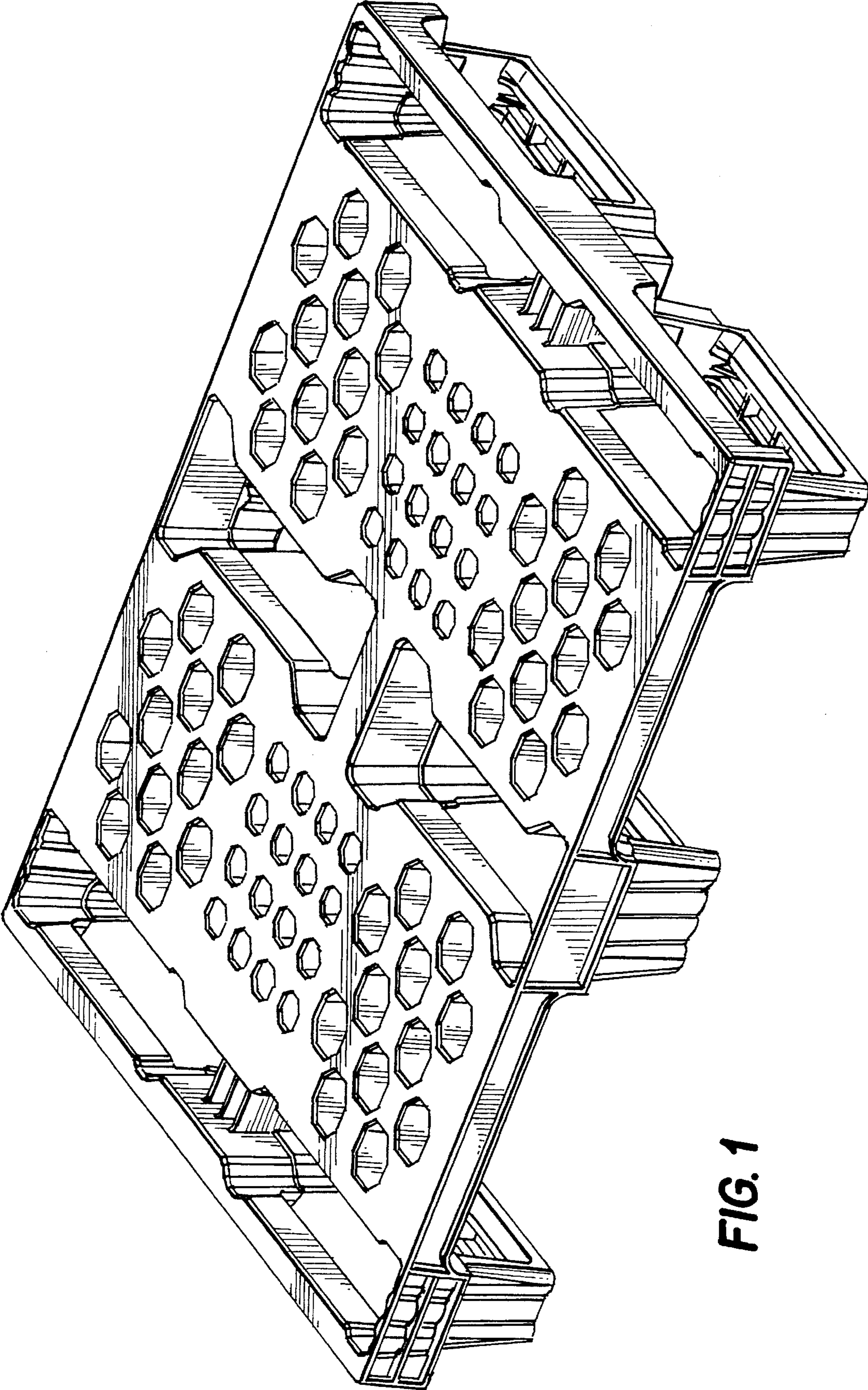


FIG. 1

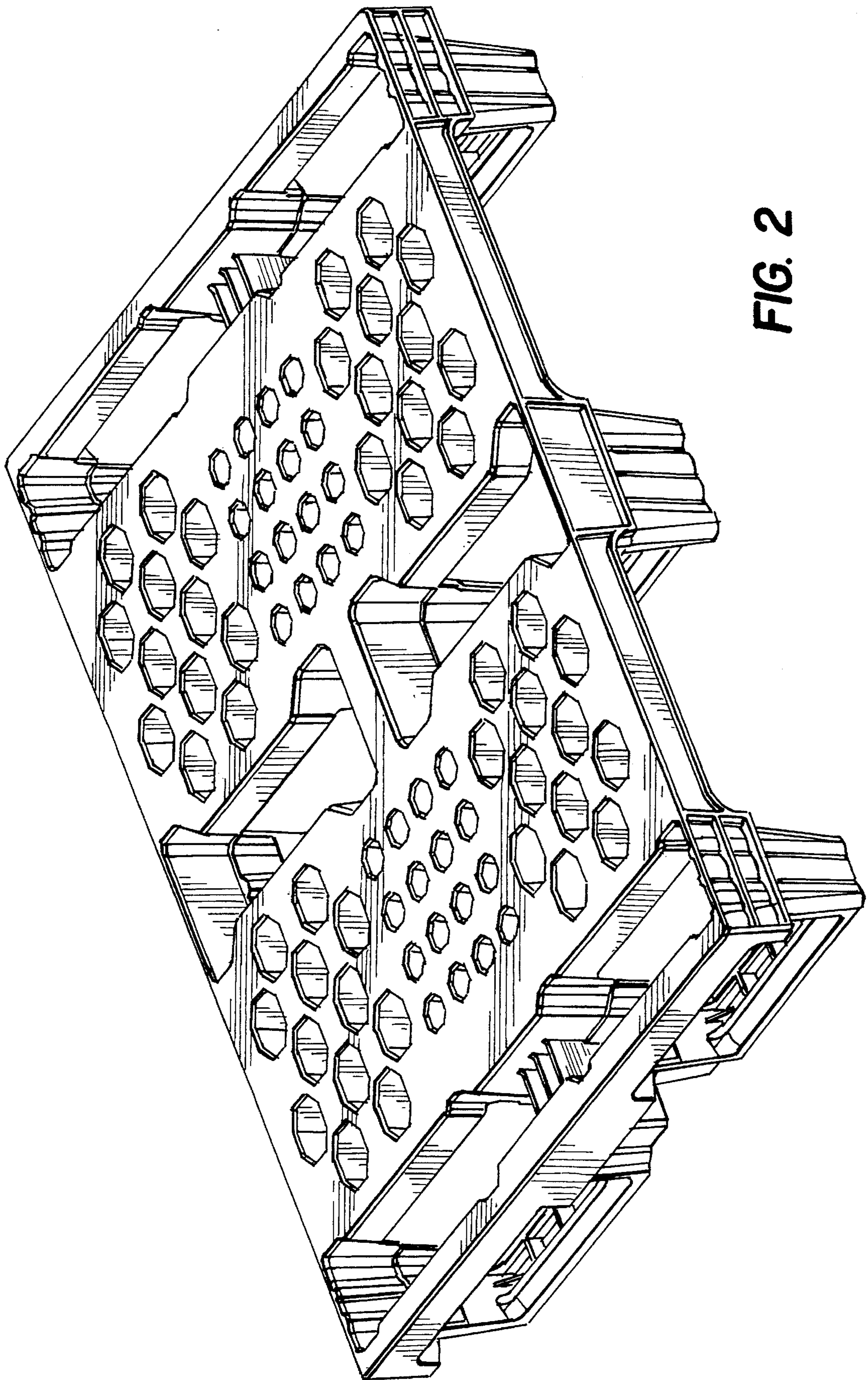


FIG. 2

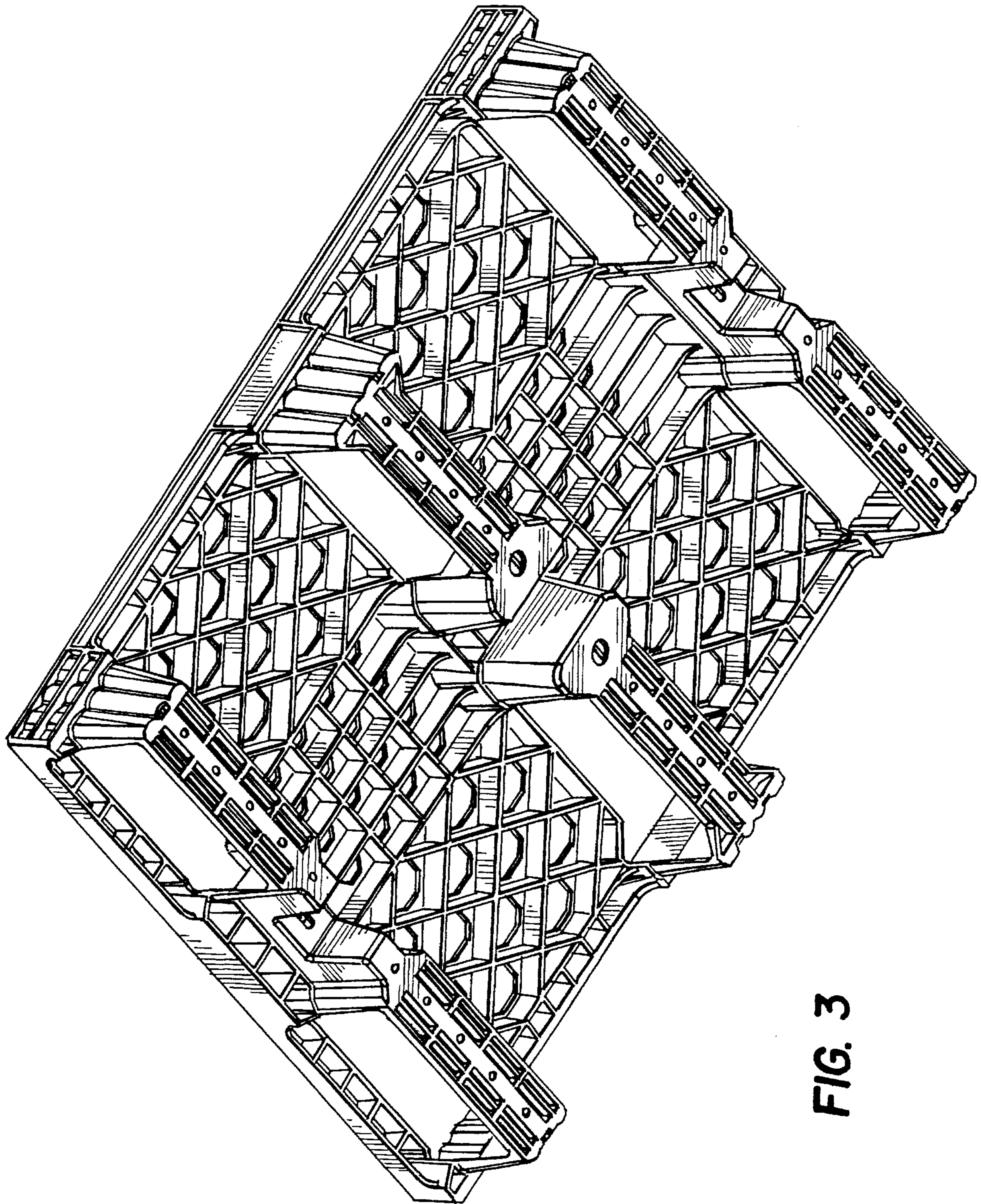


FIG. 3

FIG. 4

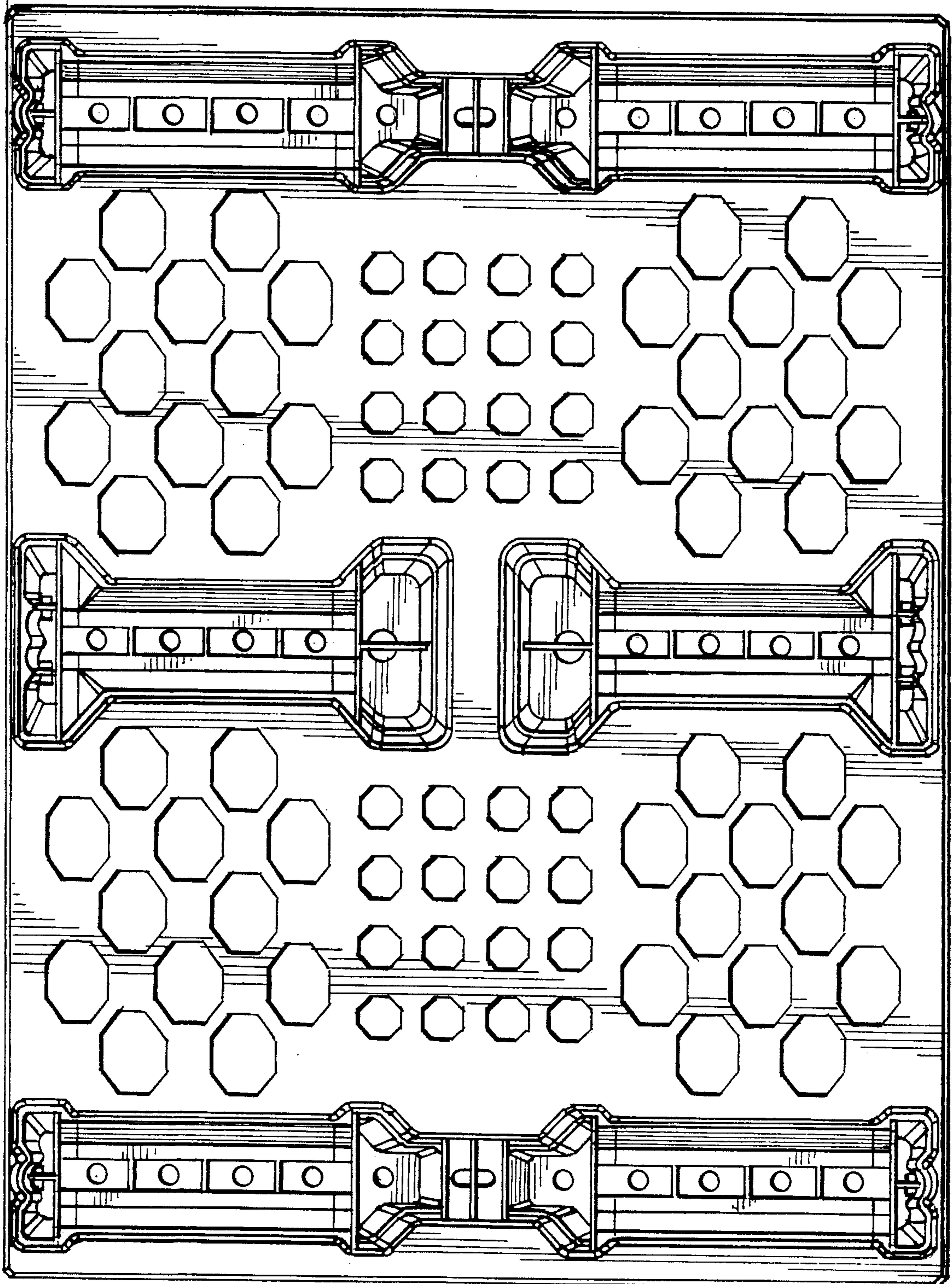
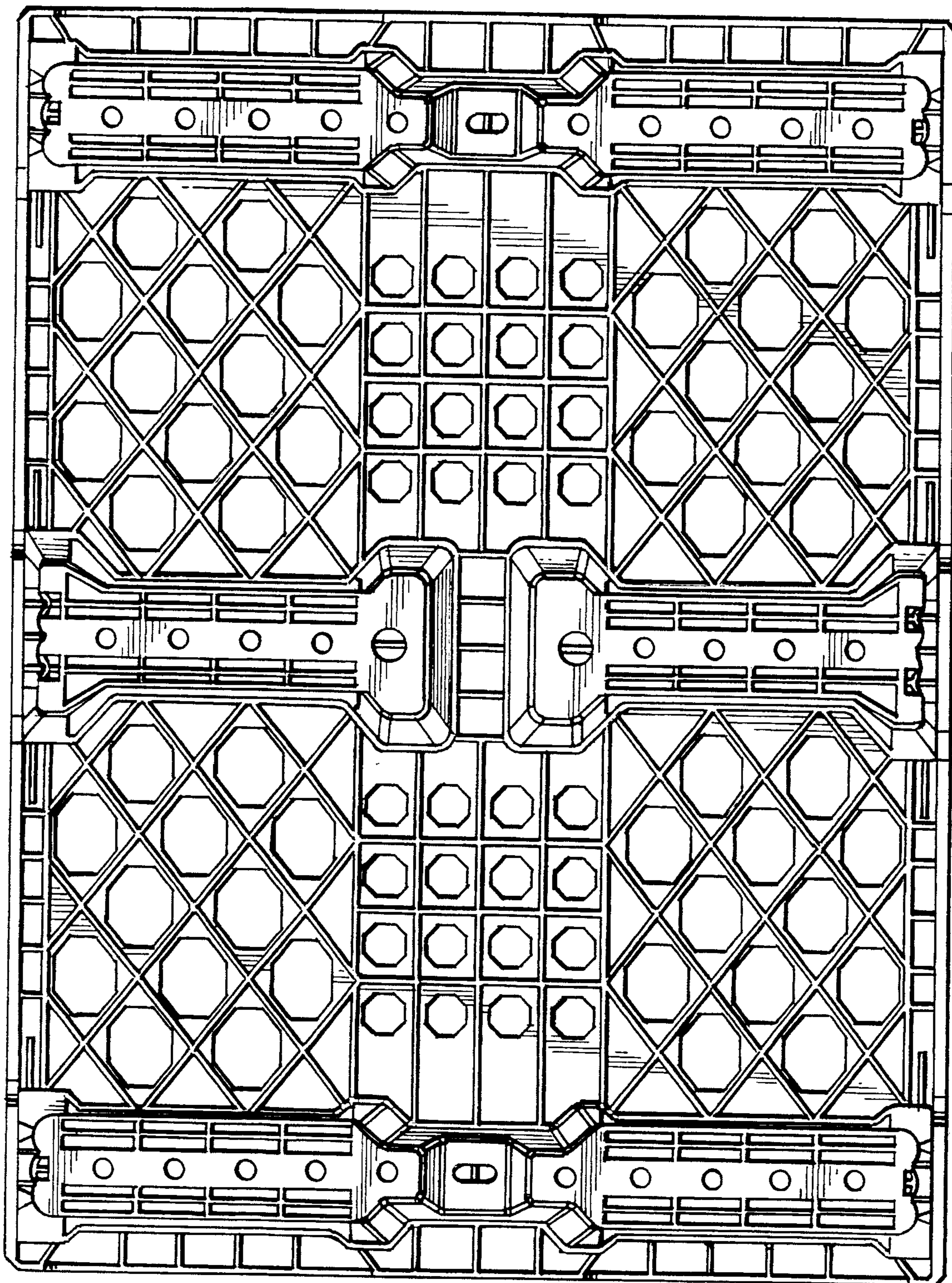


FIG. 5



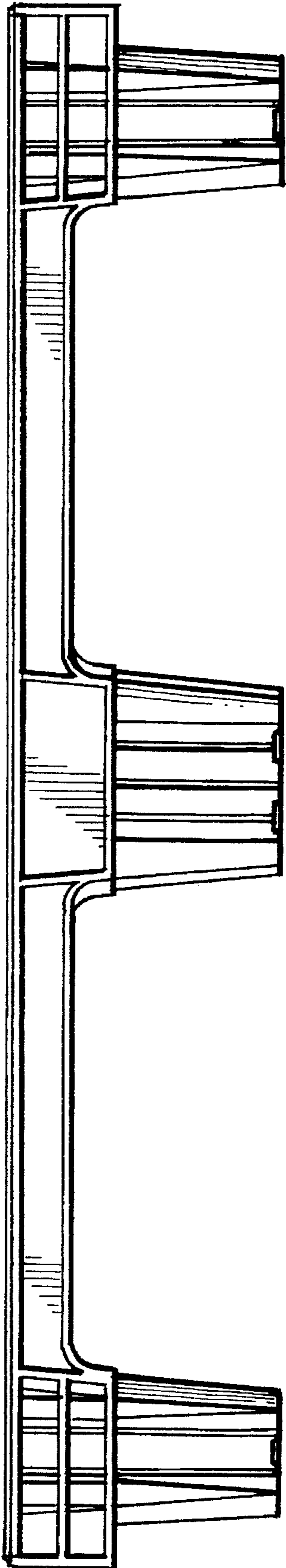


FIG. 6

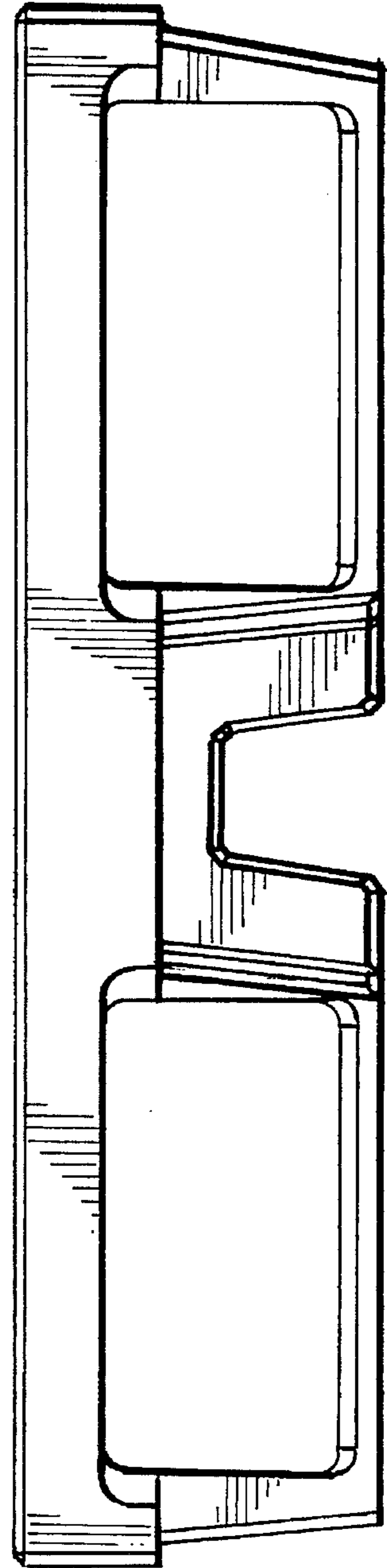


FIG. 7