



US00D371669S

**United States Patent** [19]  
**Yoon**

[11] **Patent Number:** **Des. 371,669**  
[45] **Date of Patent:** **\*\*Jul. 9, 1996**

[54] **FORK LIFT TRUCK**

4,043,472 8/1977 Hoyt ..... 414/785  
4,506,750 3/1985 Leskovec ..... 180/89.17

[75] Inventor: **Young-Bin Yoon**, Incheon, Rep. of Korea

*Primary Examiner*—A. Hugo Word  
*Assistant Examiner*—Robin V. Taylor  
*Attorney, Agent, or Firm*—Anderson Kill Olick & Oshinsky

[73] Assignee: **Daewoo Electronics Co., Ltd.**, Seoul, Rep. of Korea

[\*\*] Term: **14 Years**

[57] **CLAIM**

[21] Appl. No.: **25,013**

The ornamental design for a fork lift truck, as shown and described.

[22] Filed: **Jun. 27, 1994**

**DESCRIPTION**

[30] **Foreign Application Priority Data**

FIG. 1 is a front and right side perspective view of a fork lift truck showing our new design;

Dec. 27, 1993 [KR] Rep. of Korea ..... 93-26735

FIG. 2 is a front elevational view thereof;

[52] **U.S. Cl.** ..... D34/34; D34/28

FIG. 3 is a rear elevational view thereof;

[58] **Field of Search** ..... D34/28, 34, 37;  
414/785, 607, 529, 572; 180/89.12, 89.14,  
89.17

FIG. 4 is a left side elevational view thereof;

FIG. 5 is a right side elevational view thereof;

FIG. 6 is a top plan view thereof; and,

FIG. 7 is a bottom plan view thereof.

[56] **References Cited**

**U.S. PATENT DOCUMENTS**

D. 231,340 4/1974 Haynes ..... D34/34

**1 Claim, 5 Drawing Sheets**

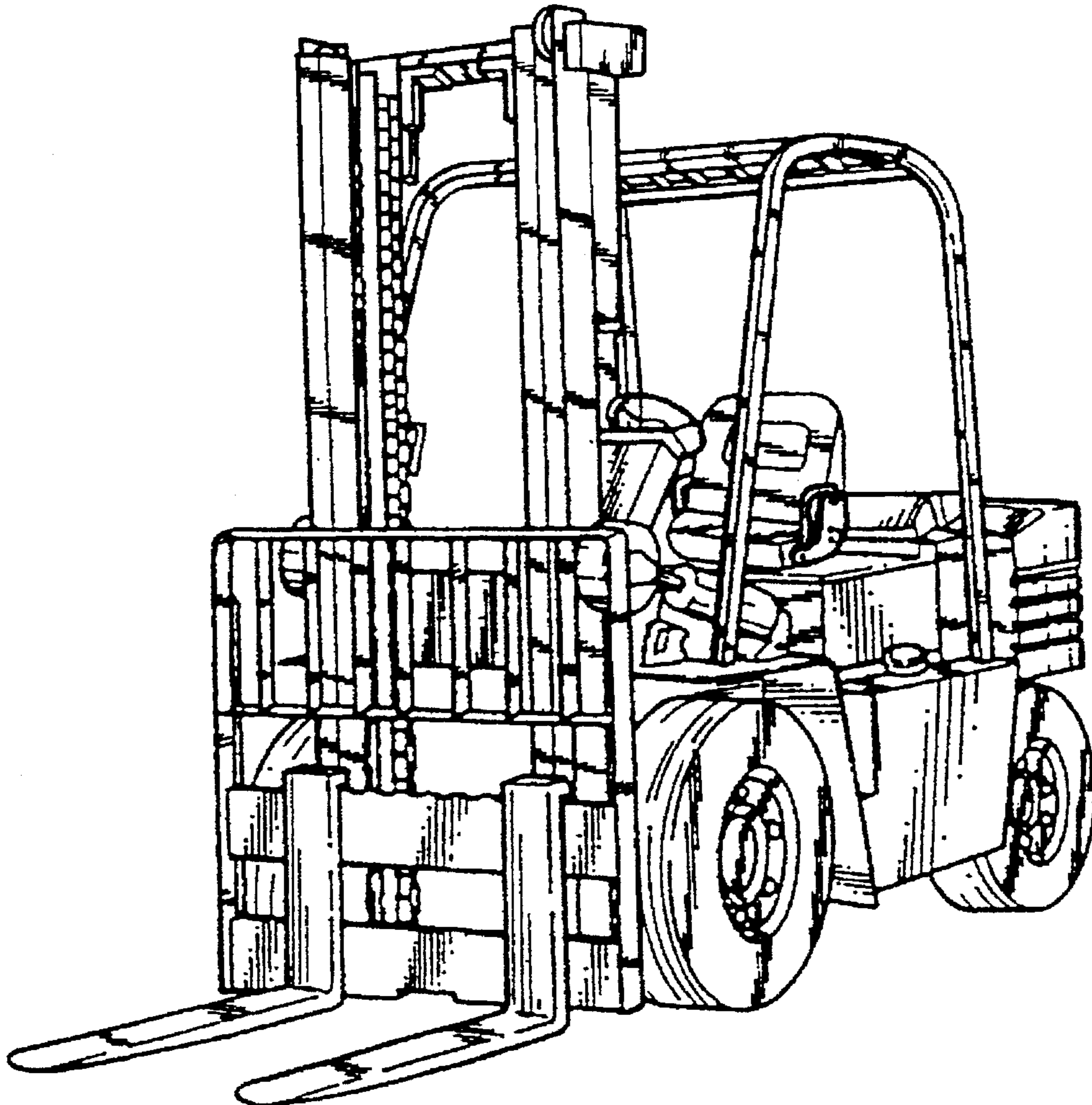


FIG. 1

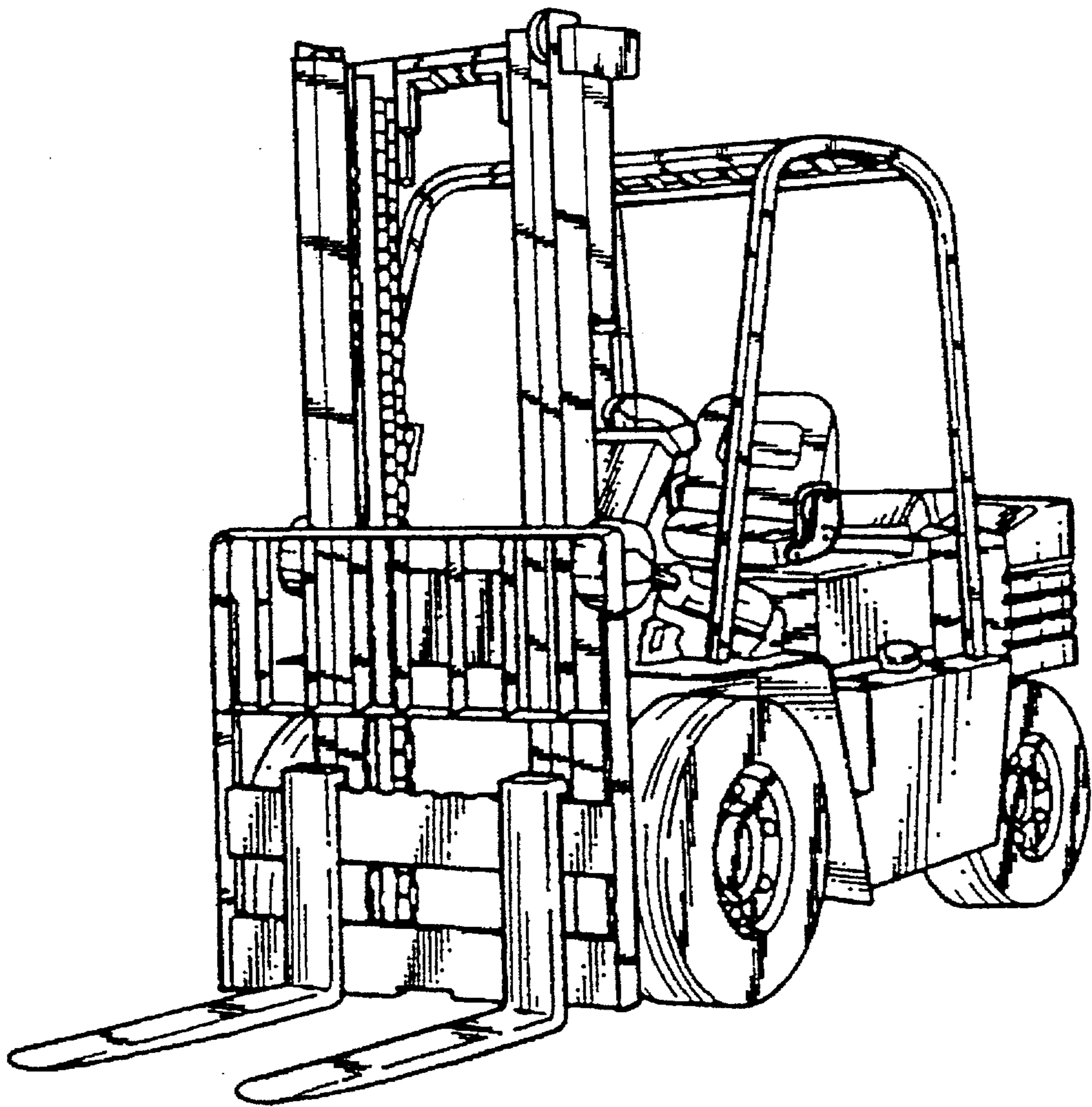


FIG. 3

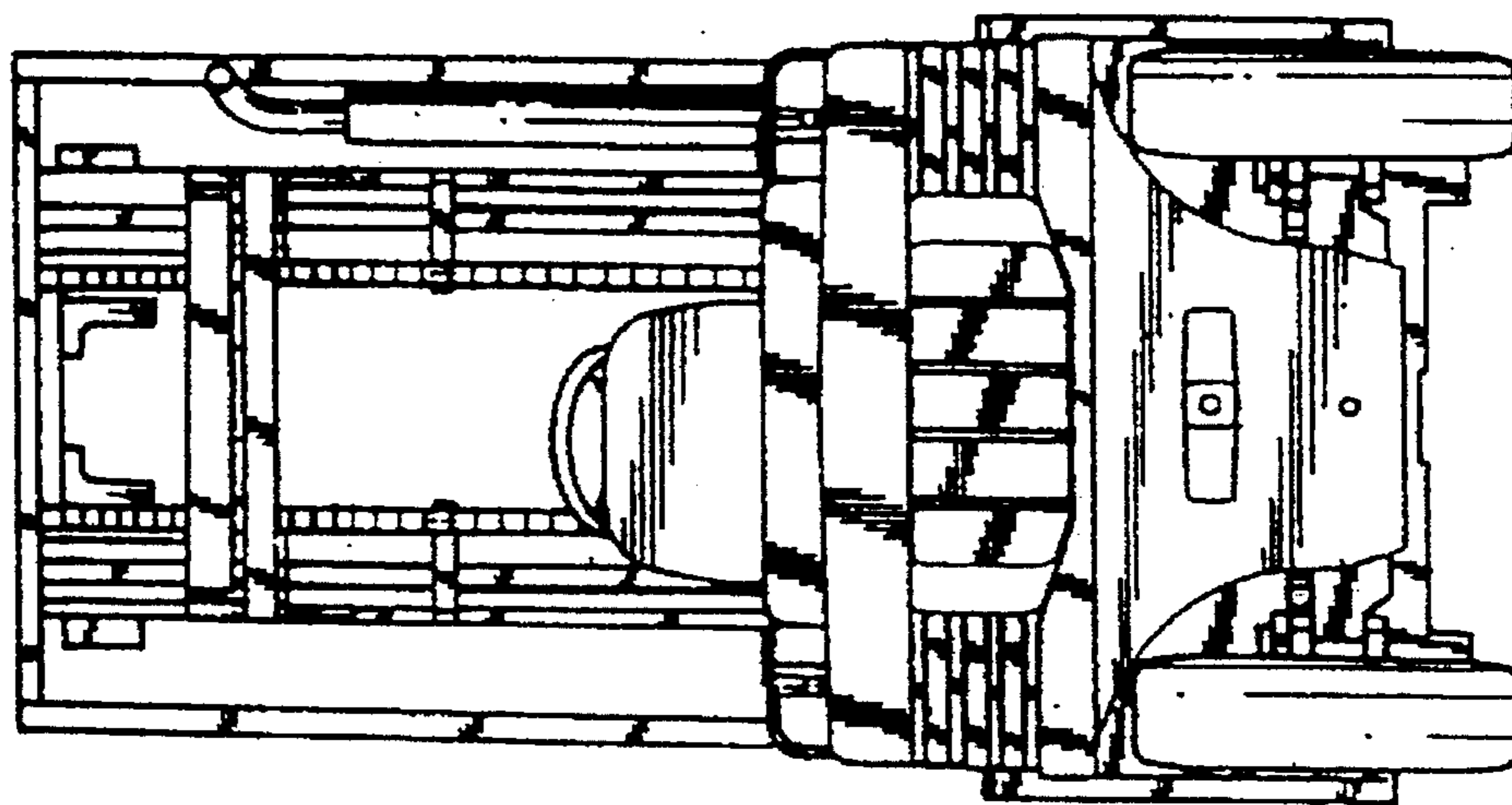


FIG. 2

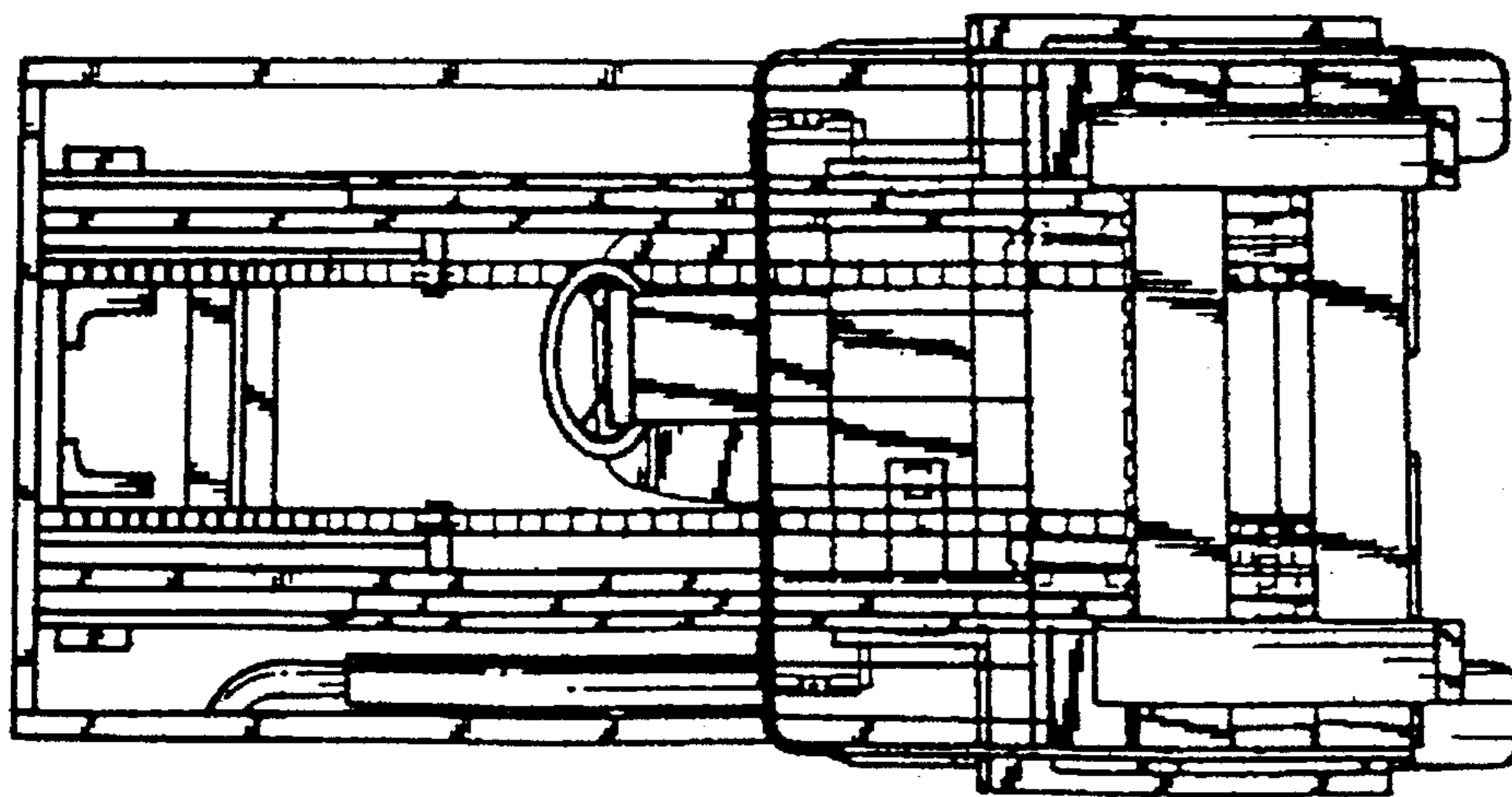




FIG. 4

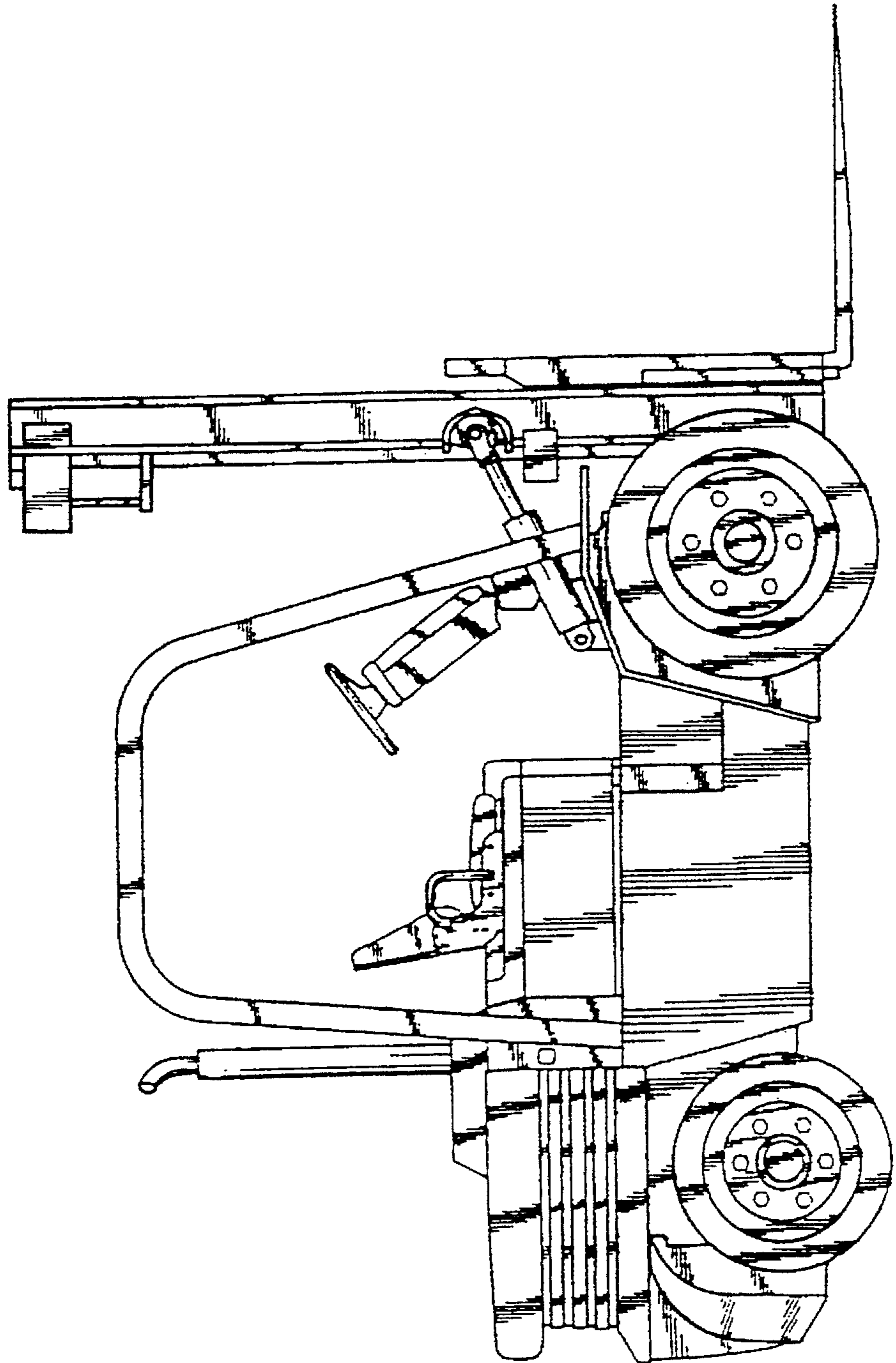


FIG. 5

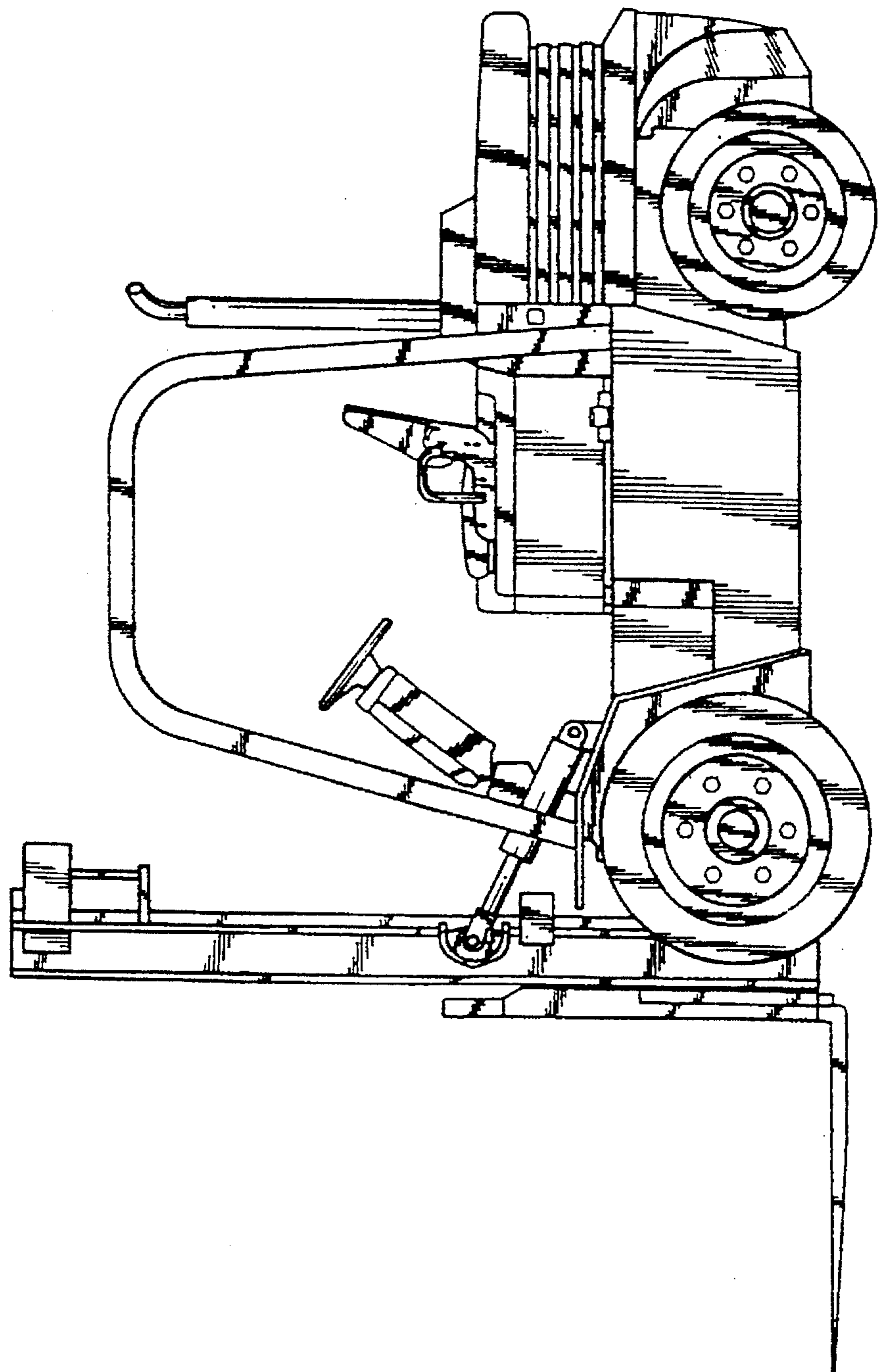


FIG. 7

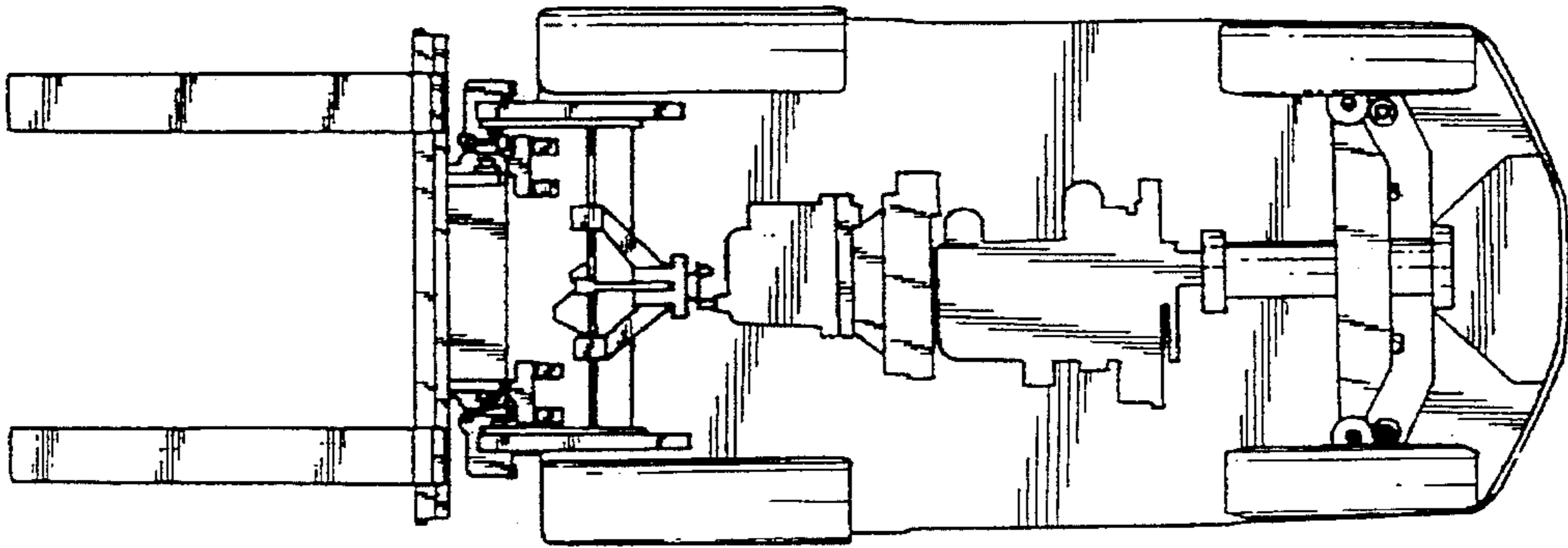
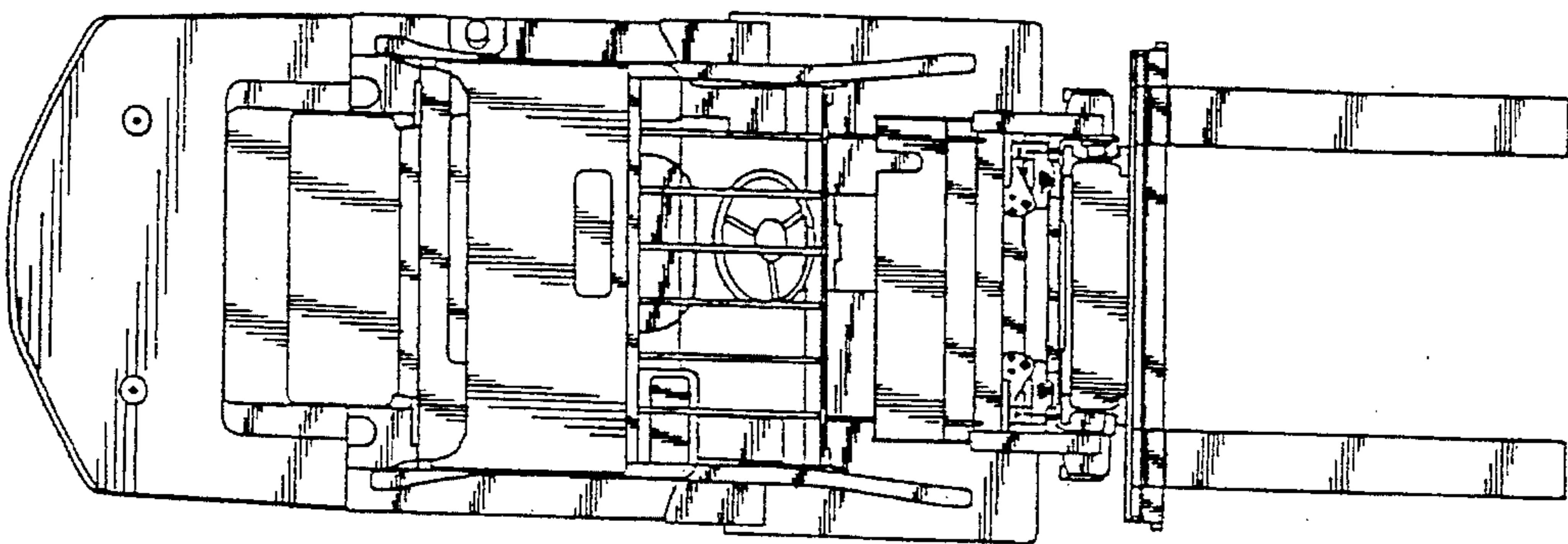


FIG. 6



UNITED STATES PATENT AND TRADEMARK OFFICE  
**CERTIFICATE OF CORRECTION**

PATENT NO. : DES. 371,669  
DATED : JULY 9, 1996  
INVENTOR(S) : YOUNG-BIN YOON

It is certified that error appears in the above-identified patent and that said Letters Patent is hereby corrected as shown below:

In the Assignee's column of the Patent, it should read:

[73] Assignee: DAEWOO HEAVY INDUSTRIES CO., LTD., Incheon,  
Republic of Korea

Signed and Sealed this  
Third Day of November, 1998

*Attest:*



BRUCE LEHMAN

*Attesting Officer*

*Commissioner of Patents and Trademarks*