



US00D371668S

United States Patent [19]

[11] Patent Number: **Des. 371,668**

Feider et al.

[45] Date of Patent: ****Jul. 9, 1996**

- [54] **GANTRY CRANE WITH ELEVATING OPERATOR CAB**
- [75] Inventors: **Thomas Feider; Norbert Lenius**, both of Sturgeon Bay; **Edward Lazzeroni; Ronald Dir**, both of Racine, all of Wis.
- [73] Assignee: **Marine Travelift, Inc.**, Sturgeon Bay, Wis.
- [**] Term: **14 Years**
- [21] Appl. No.: **39,360**
- [22] Filed: **May 26, 1995**
- [52] U.S. Cl. **D34/33; D34/28**
- [58] Field of Search **D34/33, 34, 28; 414/460, 495, 458, 459, 626; 187/240, 244**

3,759,409	9/1973	Wenzel et al.	214/394
3,888,356	6/1975	Redelfs	212/15
3,945,503	3/1976	Cooper	212/11
4,049,132	9/1977	Strömbäck	214/14
4,279,347	7/1981	Appleman	212/147
4,358,020	11/1982	Thiele	212/147
4,546,852	10/1985	Martin et al.	182/12
4,546,891	10/1985	Lanigan, Sr. et al.	414/460
4,667,834	5/1987	Lanigan et al.	212/159
4,747,745	5/1988	Pippen et al.	414/460
4,749,328	6/1988	Lanigan, Jr. et al.	414/458
4,858,775	8/1989	Crouch	212/205
4,877,365	10/1989	lanigan, Jr. et al.	414/459

Primary Examiner—A. Hugo Word
Assistant Examiner—Cynthia E. Ramirez
Attorney, Agent, or Firm—Wallenstein & Wagner, Ltd.

[57] CLAIM

The ornamental design for a gantry crane with elevating operator cab, as shown and described.

DESCRIPTION

FIG. 1 is a perspective view of the gantry crane with elevating operator cab, incorporating the new design; FIG. 2 is a front elevational view of the cab of FIG. 1; FIG. 3 is a side view of the cab of FIG. 1; FIG. 4 is a rear view of the cab of FIG. 1; FIG. 5 is an opposite side view of the cab of FIG. 1, the side being identical to the side shown in FIG. 3 above; and, FIG. 6 is a top view of the cab of FIG. 1.

1 Claim, 4 Drawing Sheets

[56] References Cited

U.S. PATENT DOCUMENTS

D. 212,876	12/1968	Ramsden et al.	D34/37
2,909,298	10/1959	Baudhuin	414/461
3,075,603	1/1963	Baudhuin	D34/34
3,146,903	9/1964	Bjorklund	214/392 X
3,161,309	12/1964	Baudhuin et al.	214/392
3,241,686	3/1966	Hurst	212/129
3,251,496	5/1966	Lamer et al.	214/392
3,396,858	8/1968	Baker et al.	214/38
3,558,172	1/1971	Lamer et al.	294/67
3,675,786	7/1972	Wilson	212/127

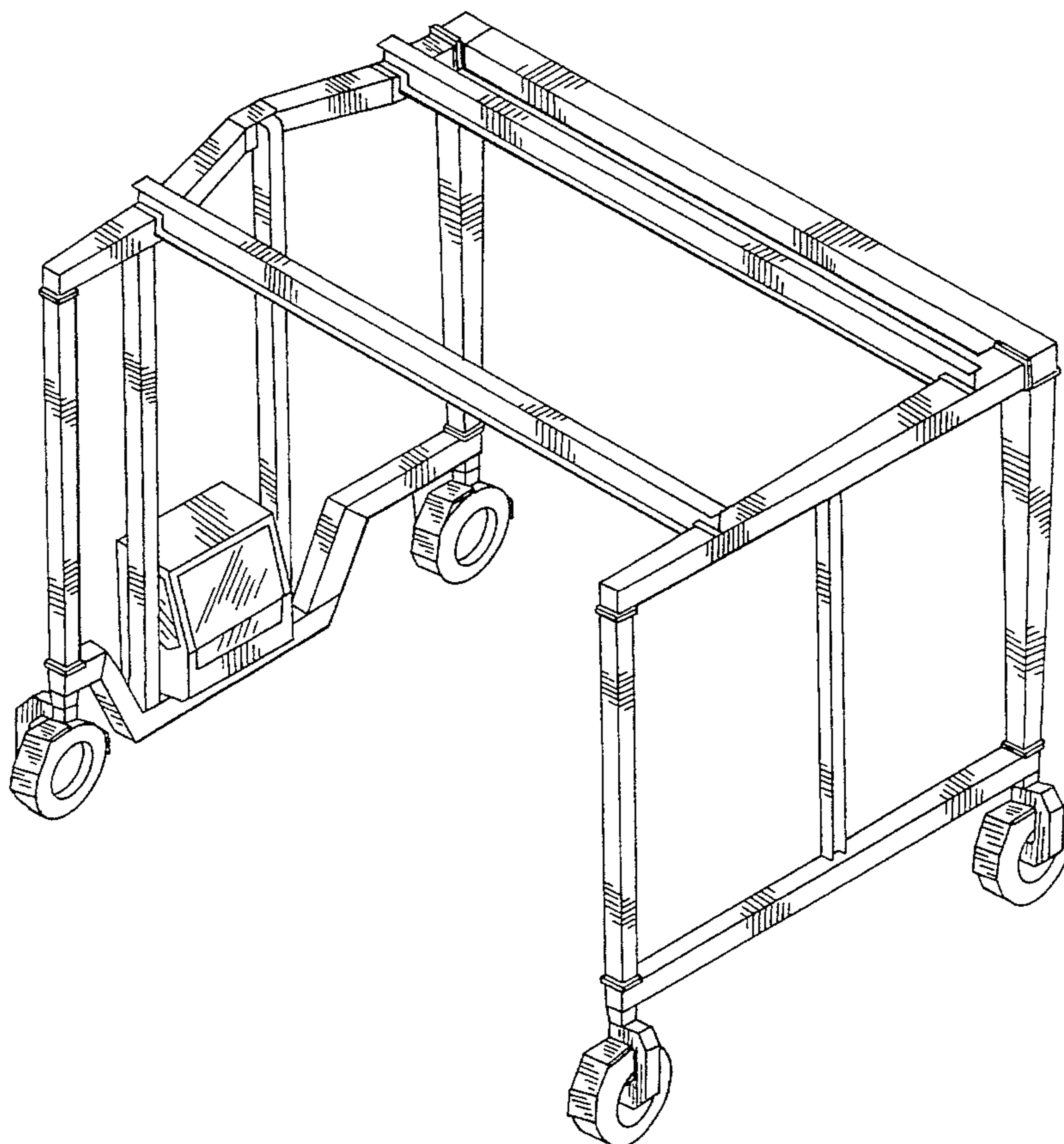


FIG. 1

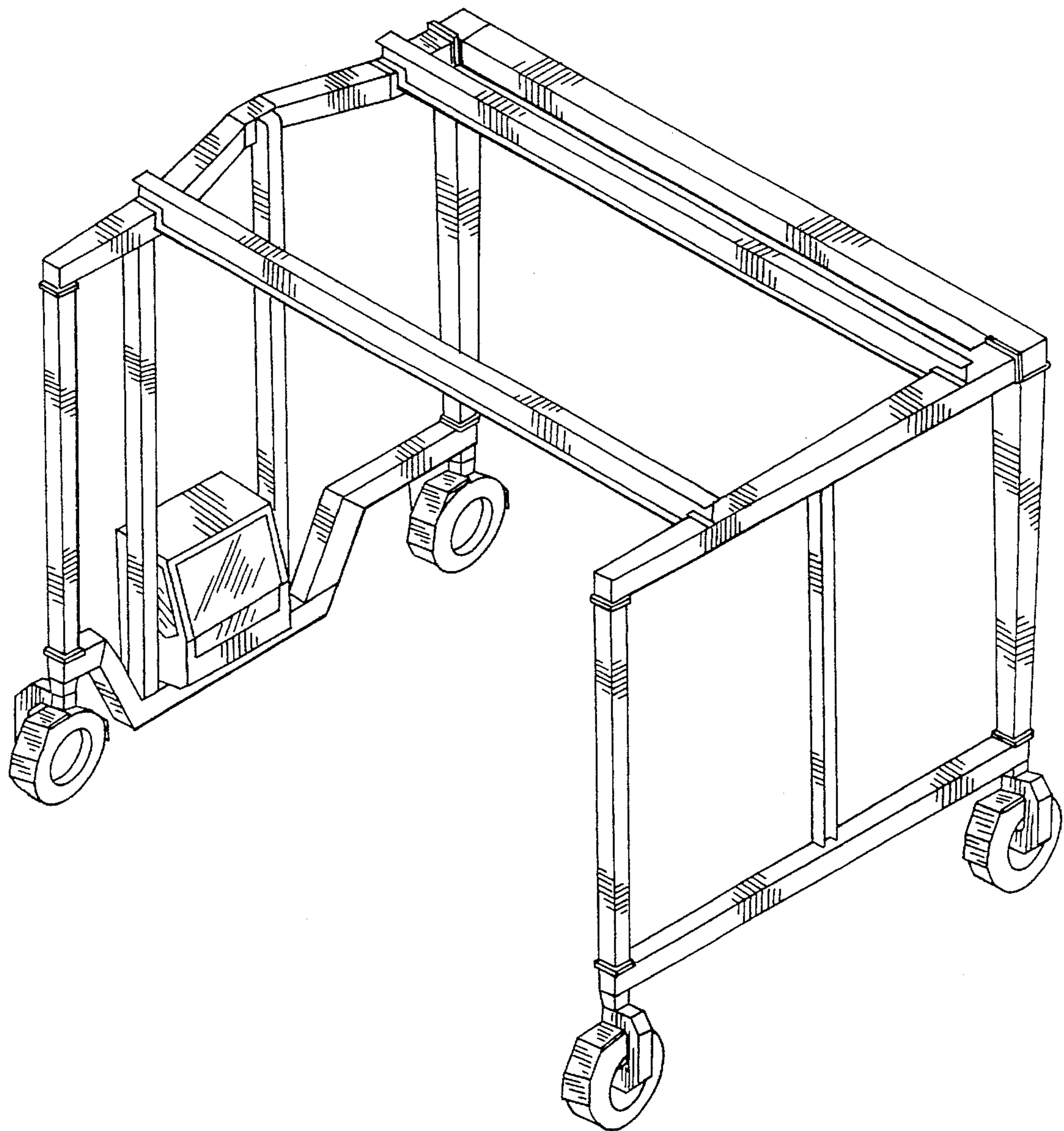


FIG. 2

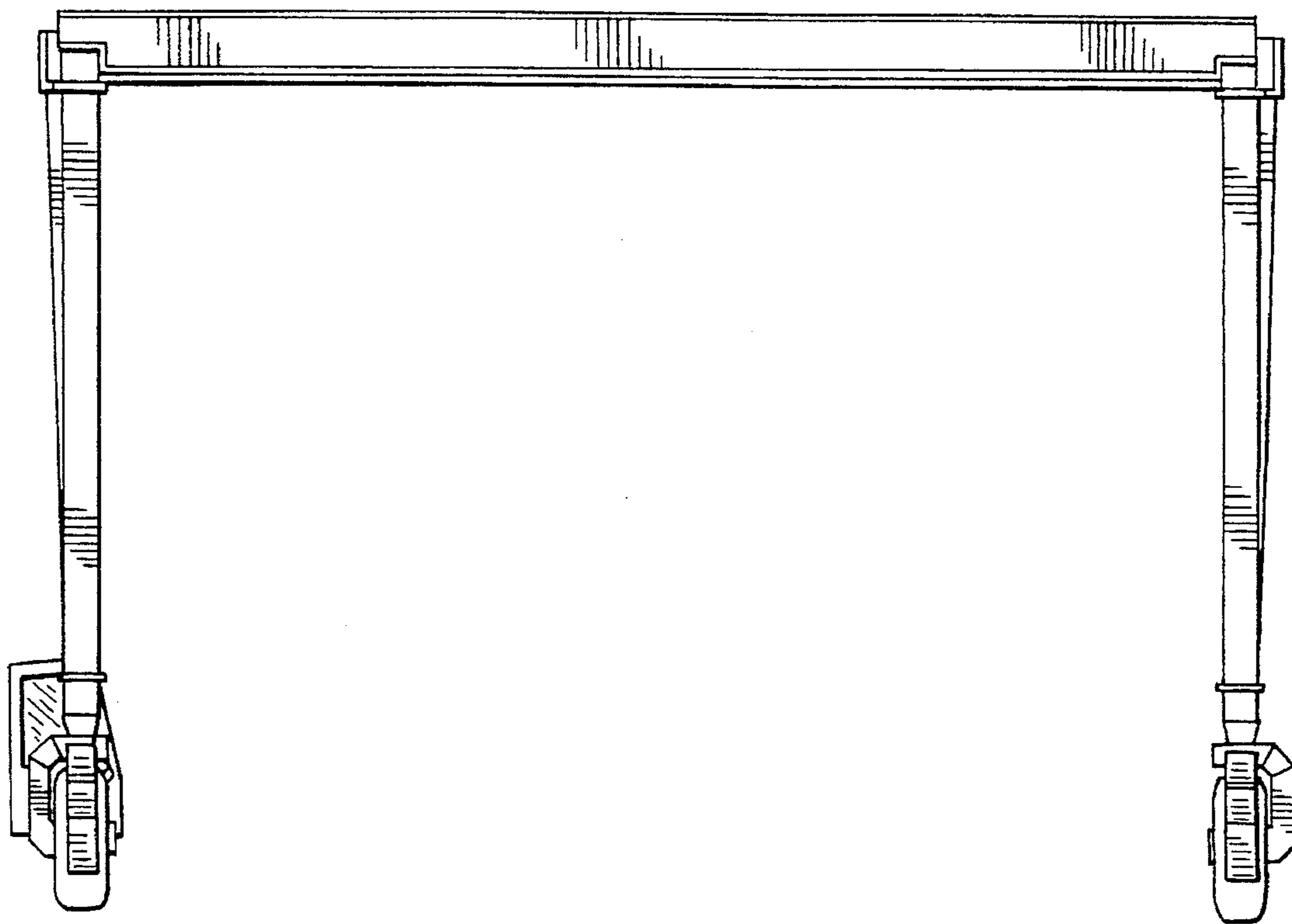


FIG. 3

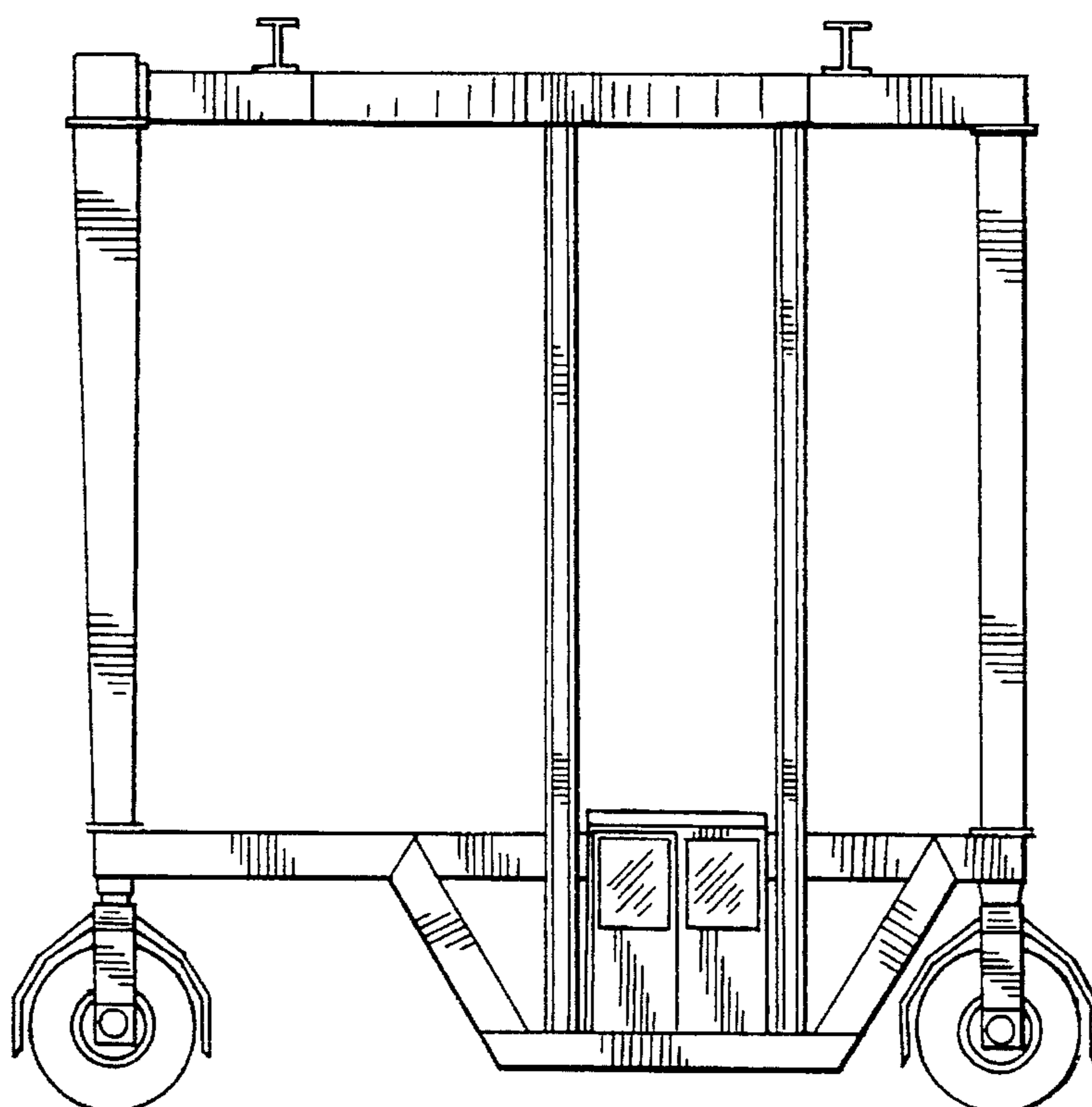


FIG. 4

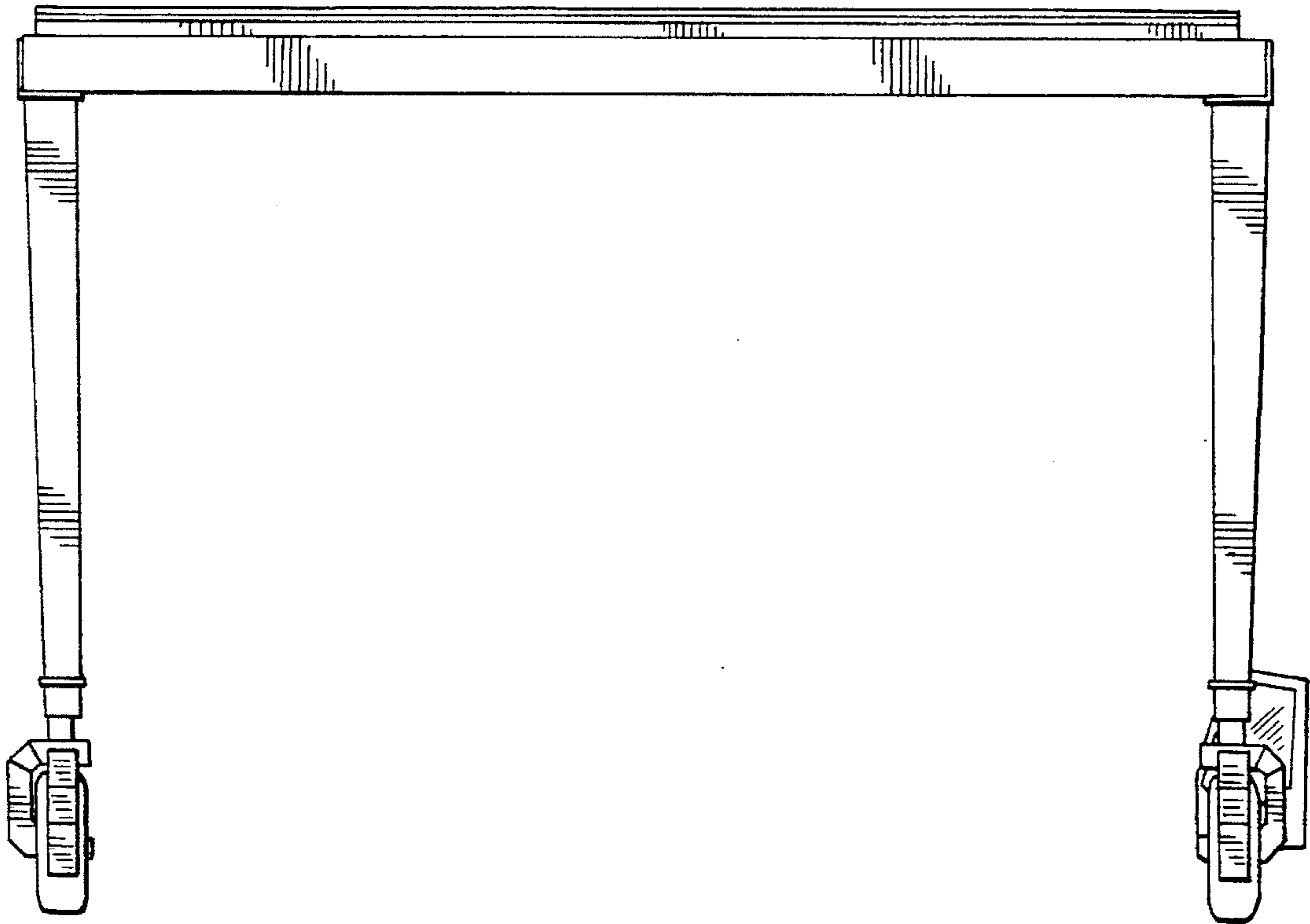


FIG. 5

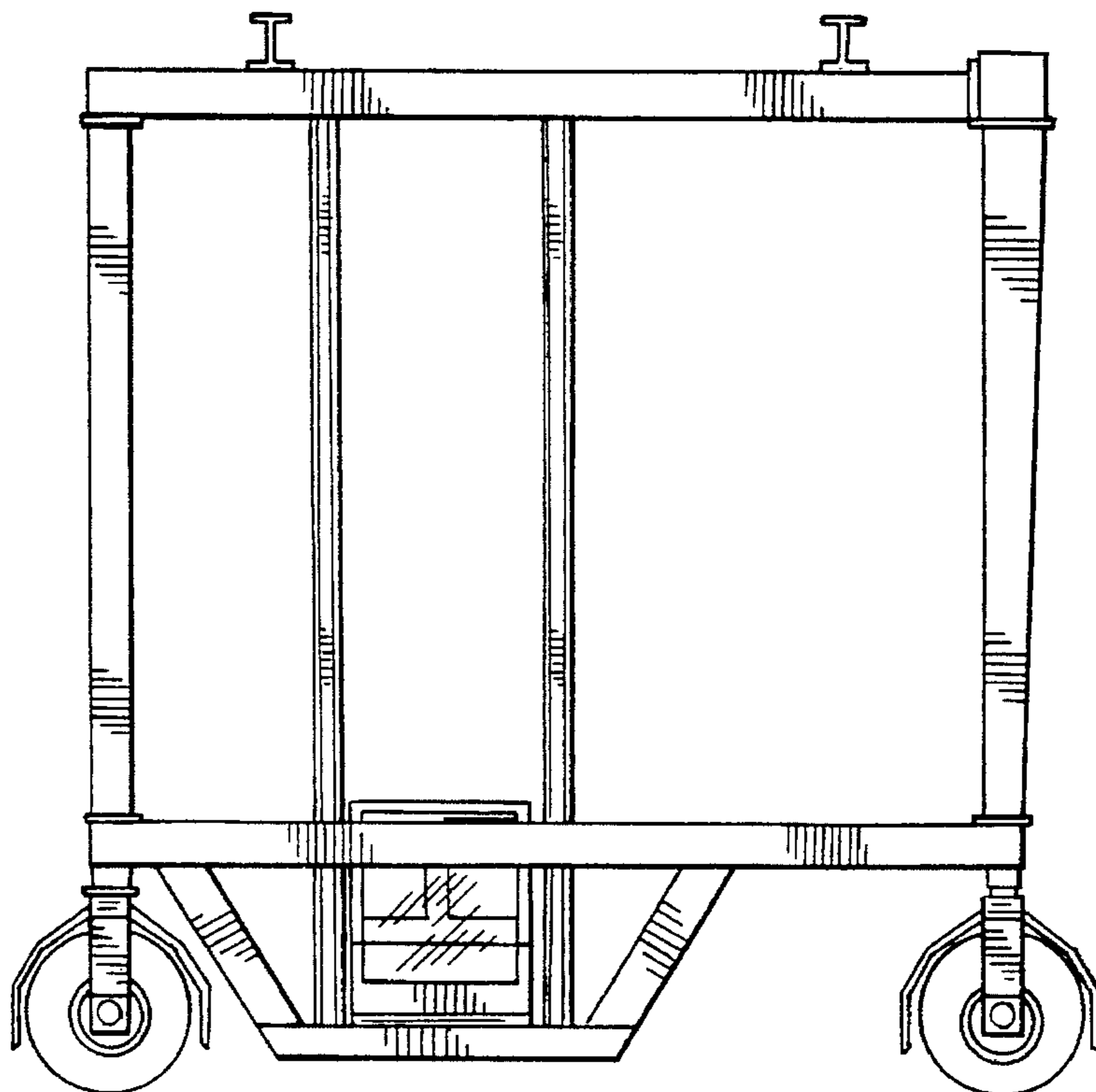


FIG. 6

