



US00D371664S

United States Patent [19]

Ponce et al.

[11] Patent Number: **Des. 371,664**

[45] Date of Patent: ****Jul. 9, 1996**

[54] COLLAPSIBLE UTILITY CART

4,765,646 8/1988 Cheng 280/651
5,294,158 3/1994 Cheng 280/641

[76] Inventors: **Cheryl Ponce**, 7 Richmond Blvd.,
Centereach, N.Y. 11720; **Lorraine
Wilson**, 10 Hargrove Dr., Stony Brook,
N.Y. 11790

Primary Examiner—Kay H. Chin
Attorney, Agent, or Firm—Harold H. Dutton, Jr.; W. Charles
L. Jamison; Diane F. Liebman

[**] Term: **14 Years**

[57] **CLAIM**

[21] Appl. No.: **41,768**

The ornamental design for a collapsible utility cart, as
shown.

[22] Filed: **Jul. 24, 1995**

[52] U.S. Cl. **D34/25**; D34/24

[58] Field of Search D34/12, 24, 25,
D34/26; 280/641, 651, 652, 47.26, 47.34

DESCRIPTION

FIG. 1 is a front perspective view of a collapsible utility cart
showing my new design;

FIG. 2 is a rear view thereof;

FIG. 3 is a left side view thereof;

FIG. 4 is a right side view thereof;

FIG. 5 is a top view thereof; and,

FIG. 6 is a bottom view thereof.

[56] References Cited

U.S. PATENT DOCUMENTS

D. 155,640 10/1949 Stoll D34/24
D. 343,040 1/1994 Wilson D34/19
2,920,900 1/1960 Best D34/24
3,697,095 10/1972 Howell 280/47.26

1 Claim, 4 Drawing Sheets

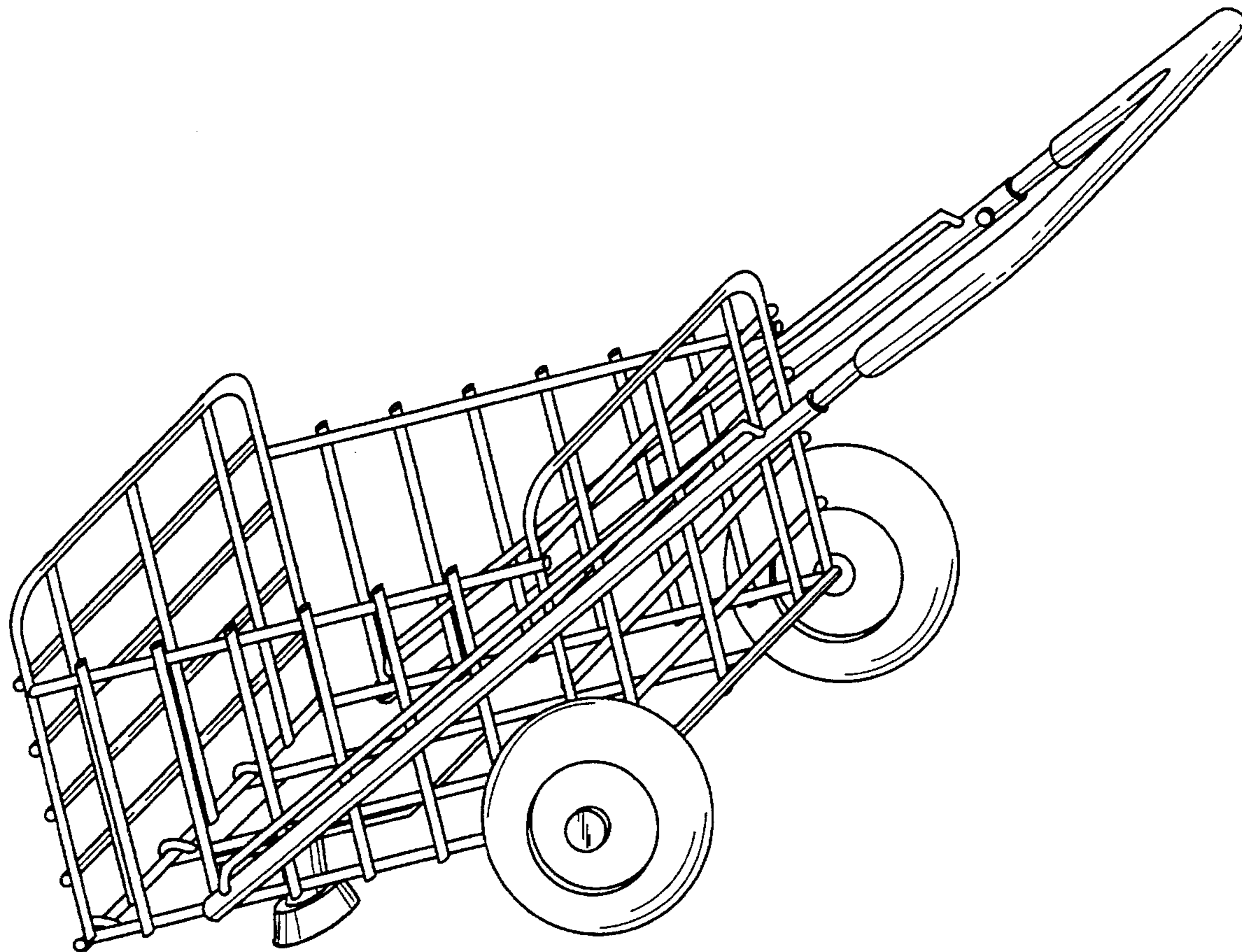
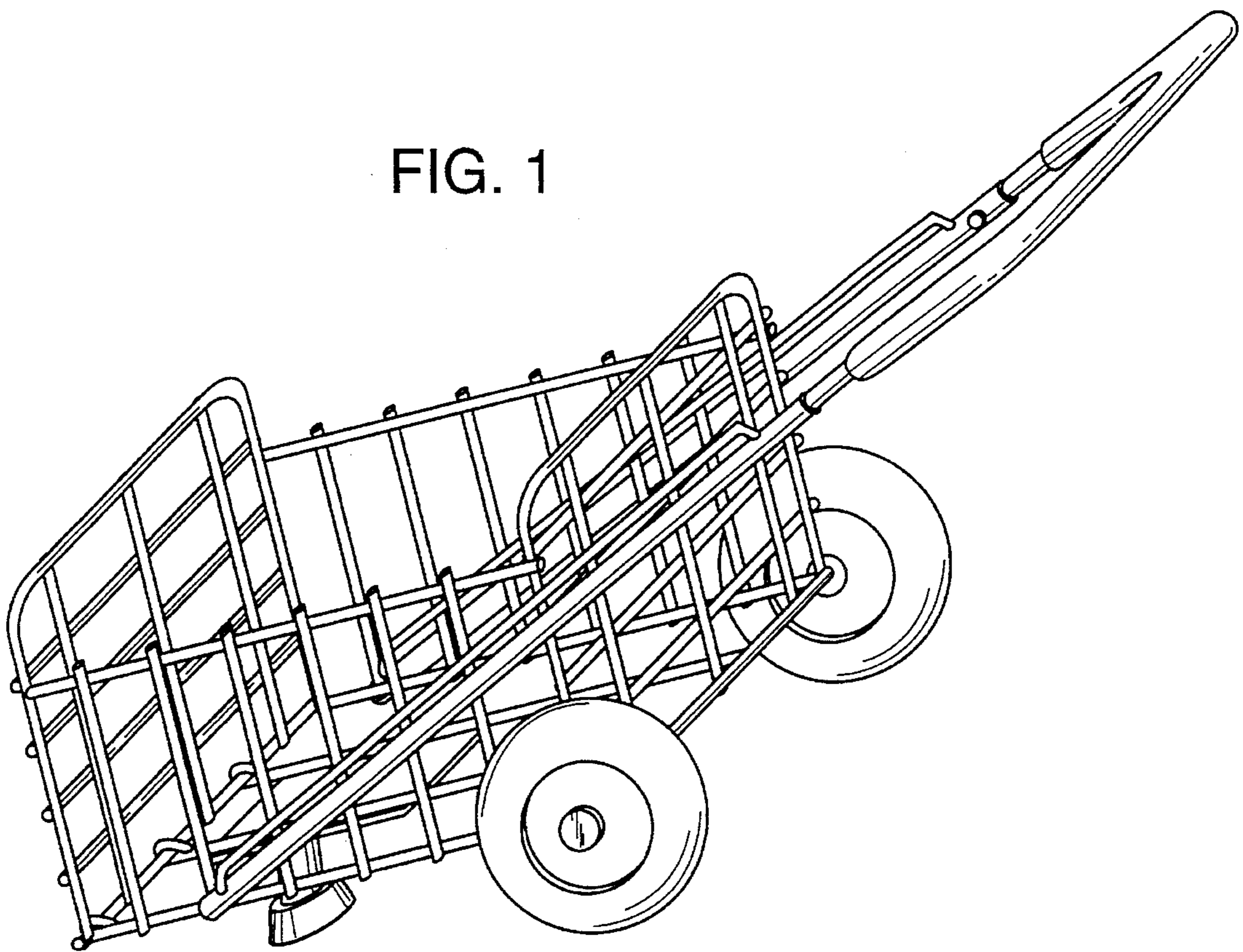


FIG. 1



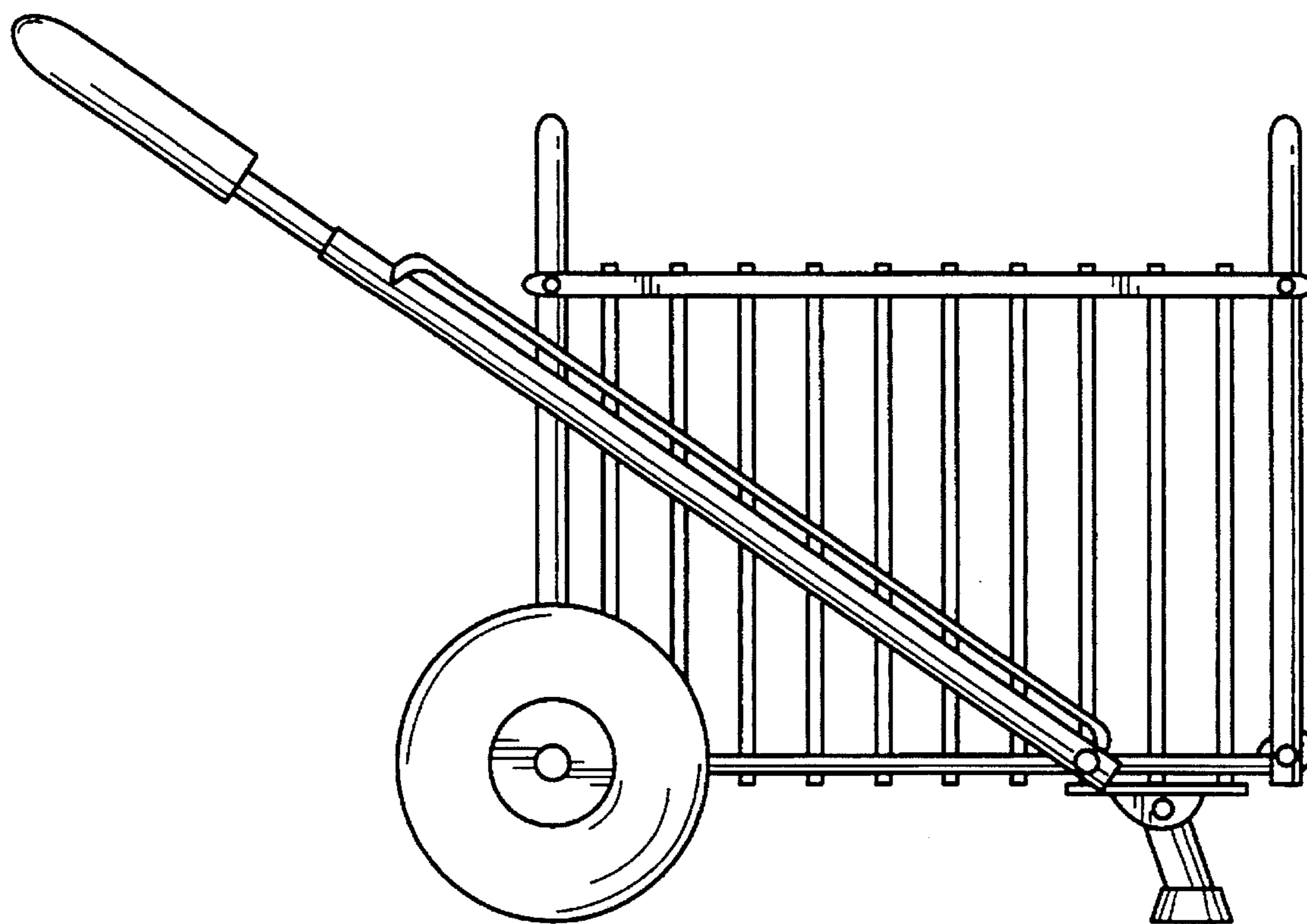


FIG. 2

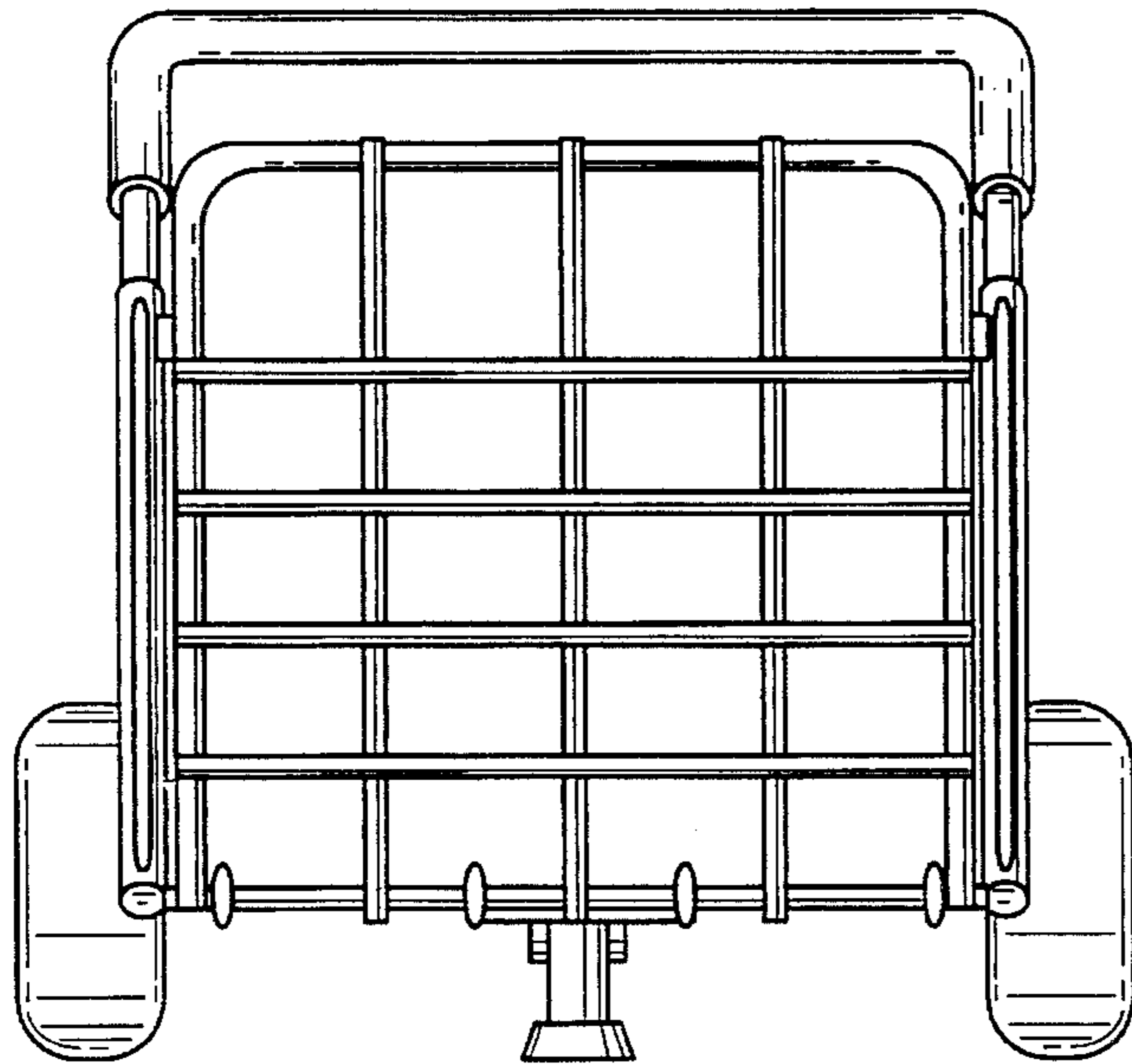


FIG. 3

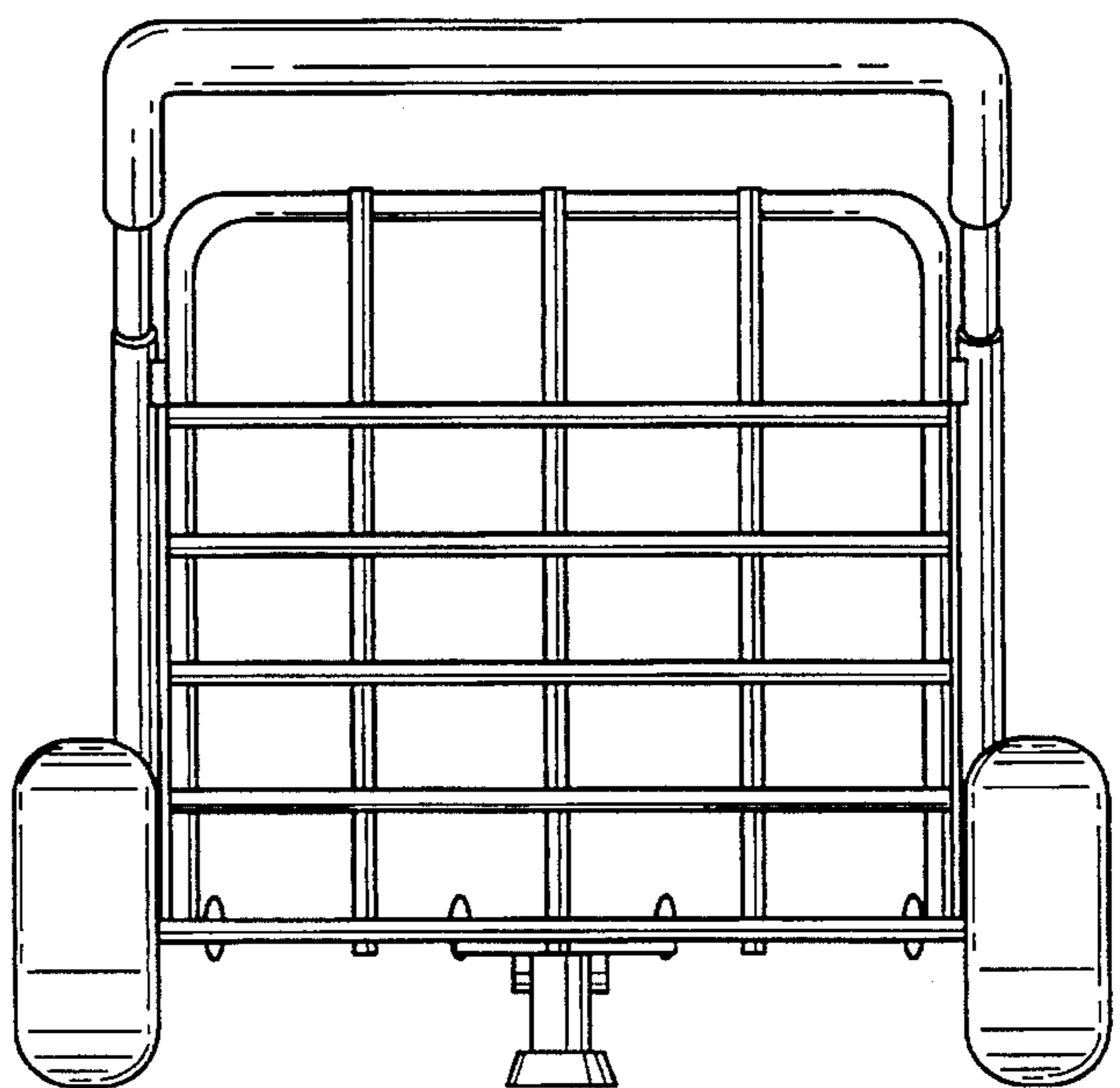


FIG. 4

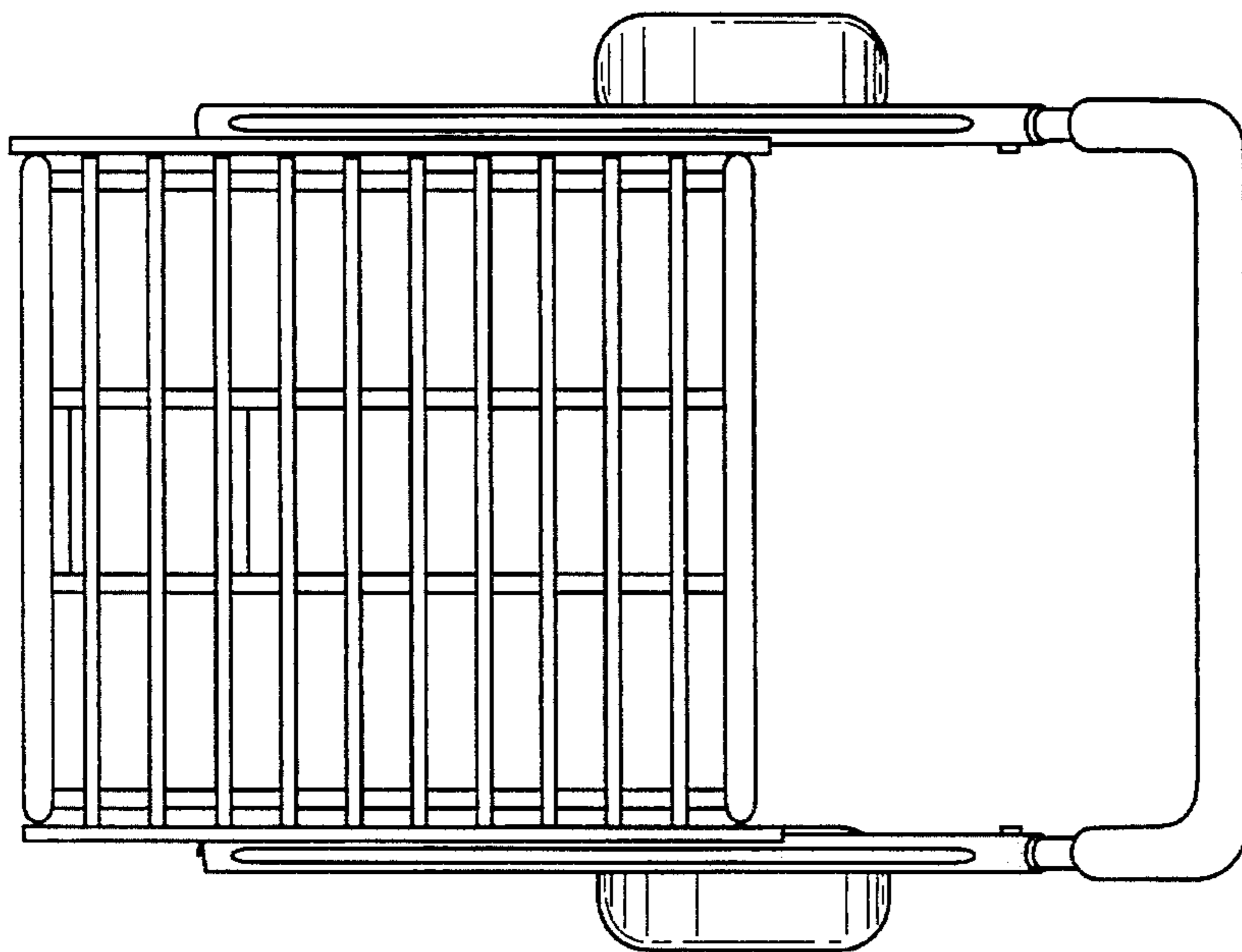


FIG. 5

FIG. 6

