



US00D371660S

United States Patent [19]

[11] **Patent Number:** **Des. 371,660**

Wilson

[45] **Date of Patent:** ****Jul. 9, 1996**

[54] **SERVICE CART FACADE**

D. 341,457 11/1993 Johnson et al. D34/19

[76] Inventor: **Scott A. Wilson**, 608 S. Nevada St.,
Oceanside, Calif. 92054

Primary Examiner—Kay H. Chin
Attorney, Agent, or Firm—Brown, Martin, Haller &
McClain

[**] Term: **14 Years**

[57] **CLAIM**

[21] Appl. No.: **40,457**

The ornamental design for a service cart facade, as shown
and described.

[22] Filed: **Jun. 19, 1995**

[52] U.S. Cl. **D34/14; D34/19**

DESCRIPTION

[58] **Field of Search** **D34/12, 13, 14,**
D34/17, 19, 20, 21, 25; D6/474; 280/47.35,
47.34, 79.11, 79.3

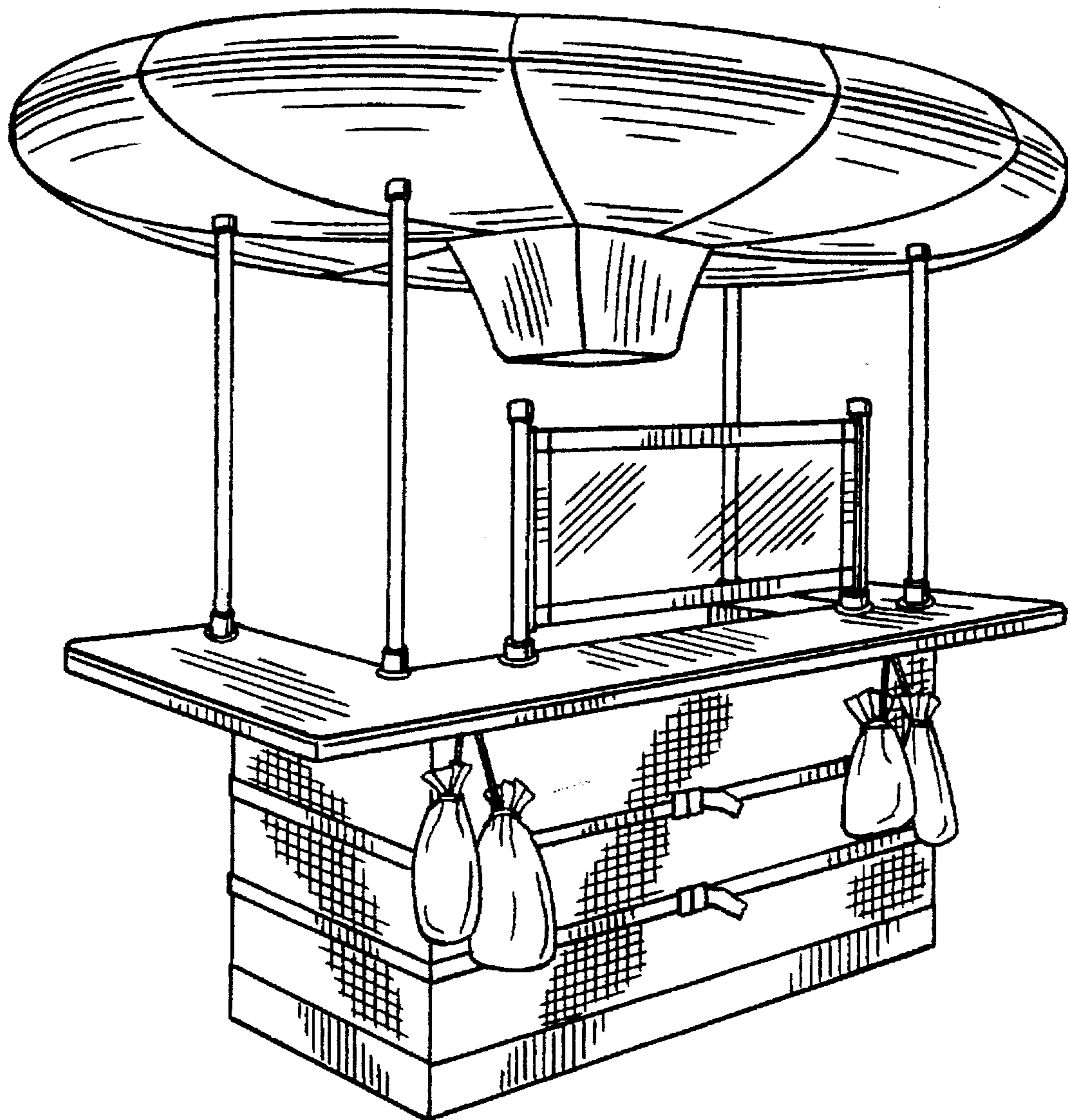
FIG. 1 is a perspective view of a service cart facade showing
my new design;
FIG. 2 is a rear elevational view thereof;
FIG. 3 is a top plan view thereof; and,
FIG. 4 is a side elevational view with the canopy inflated,
both sides being similar.

[56] **References Cited**

U.S. PATENT DOCUMENTS

D. 205,889 10/1966 Panetta D34/19
D. 228,063 8/1973 Keeshin D34/14

1 Claim, 2 Drawing Sheets



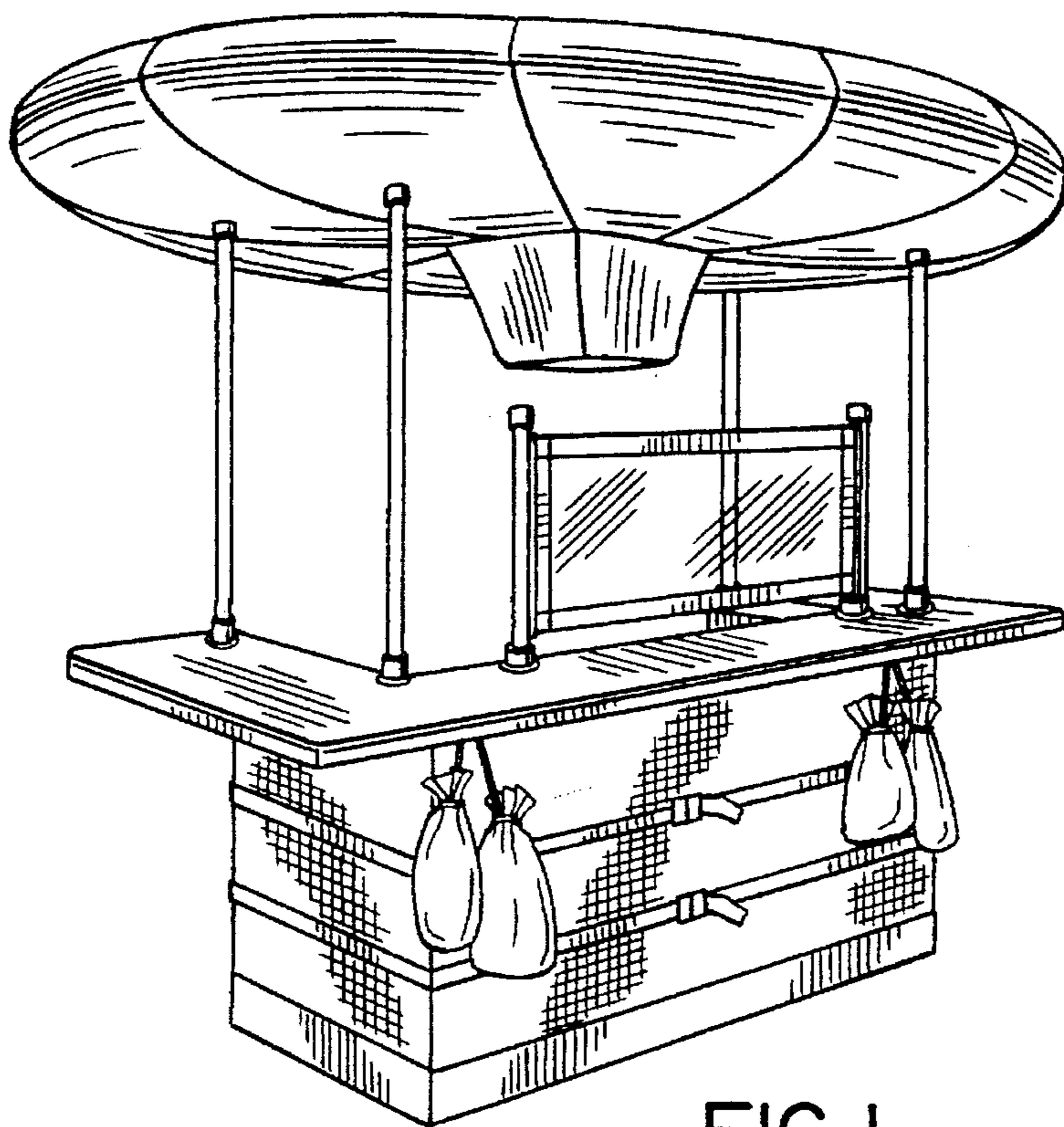


FIG. 1

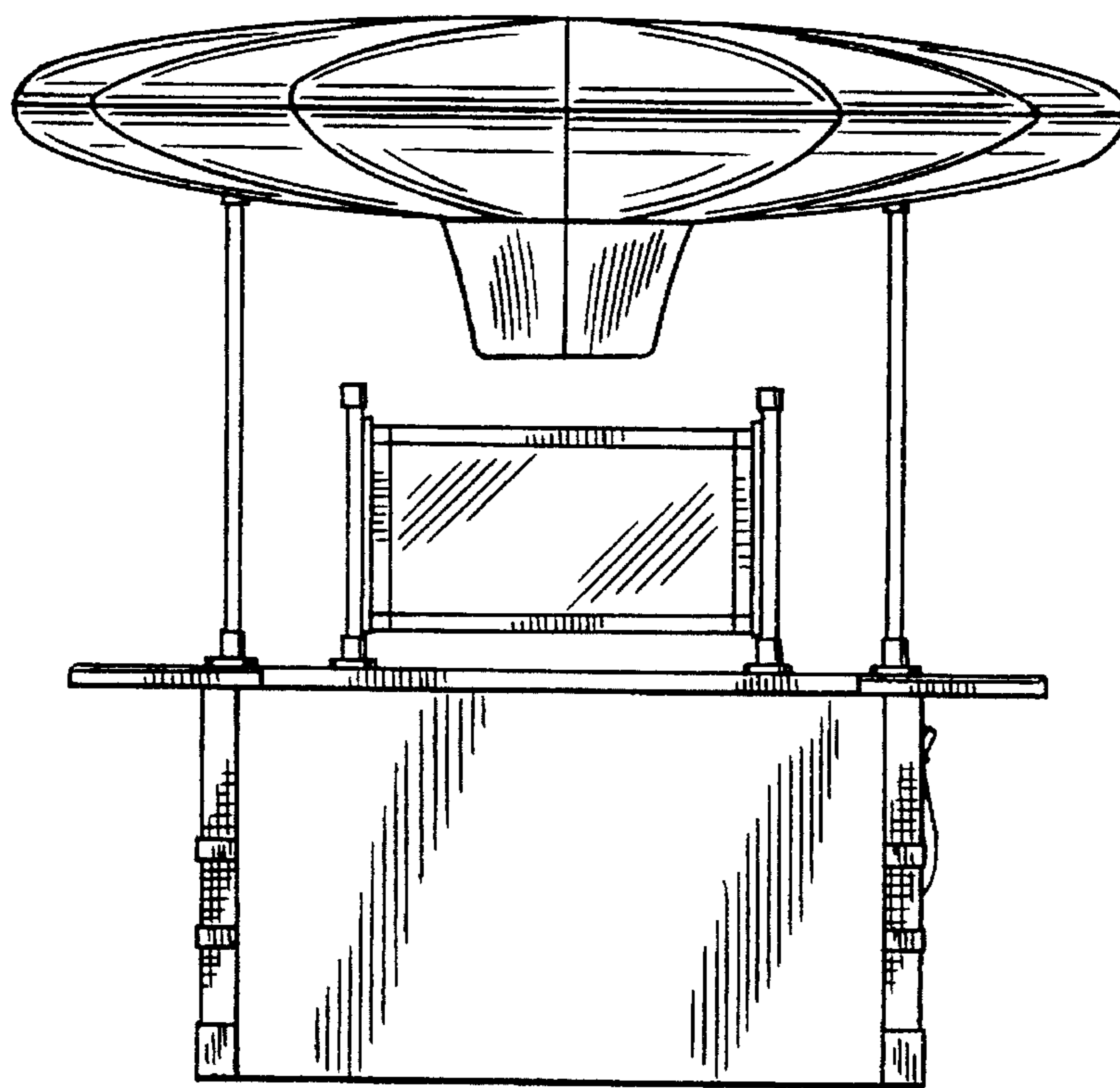


FIG. 2

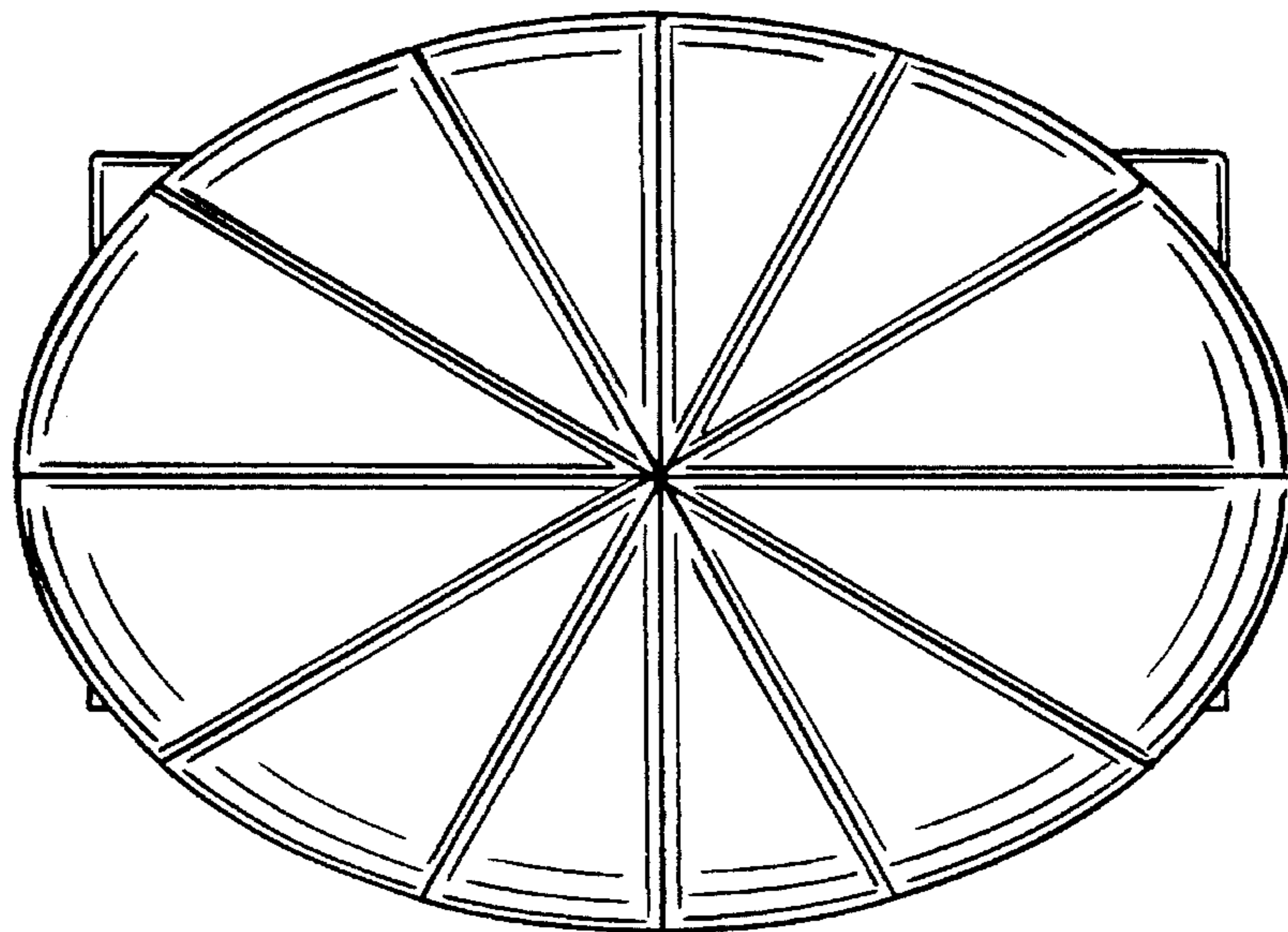


FIG. 3

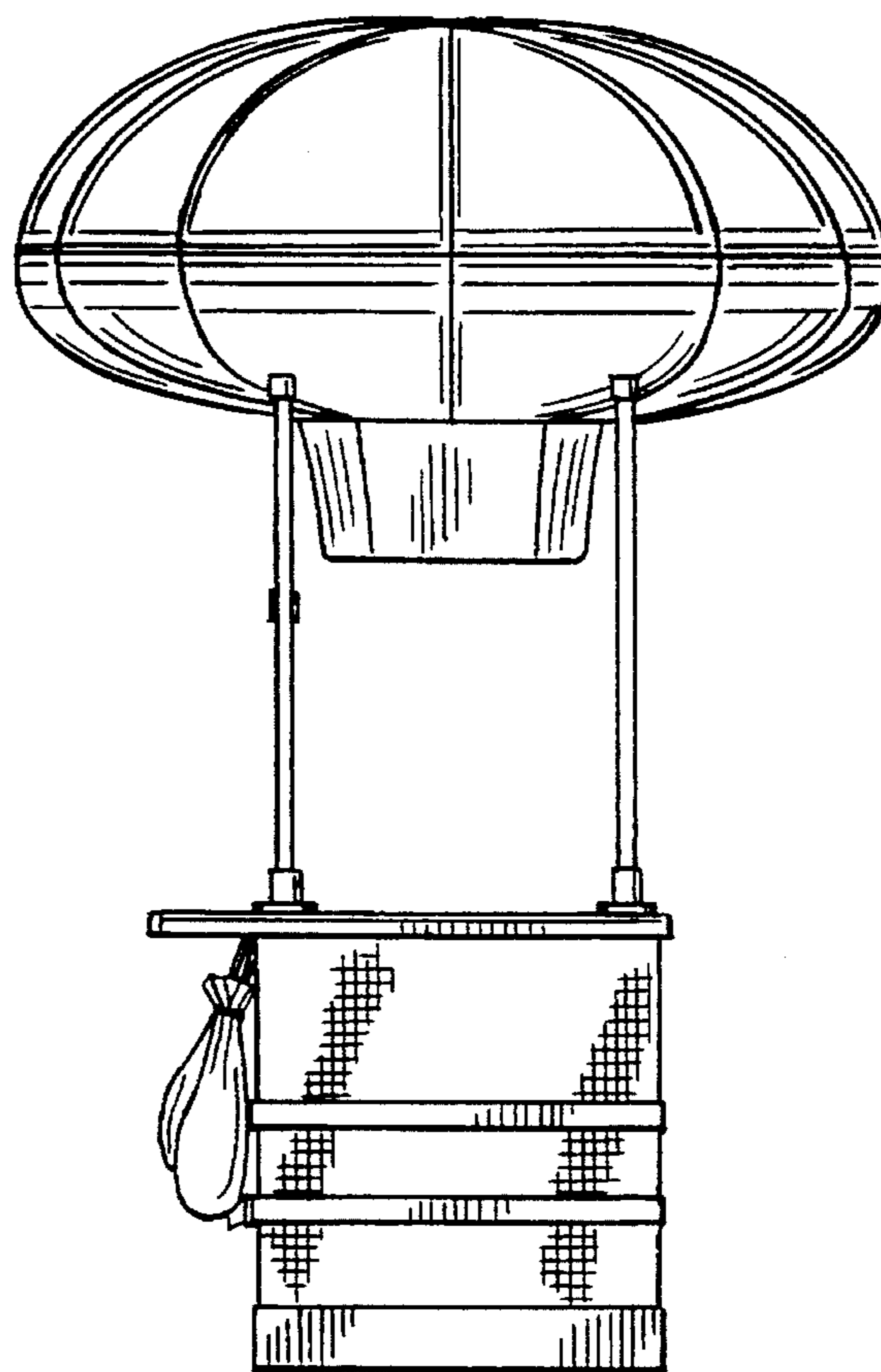


FIG. 4