



US00D371659S

United States Patent [19]

[11] **Patent Number: Des. 371,659**

Goldman

[45] **Date of Patent: **Jul. 9, 1996**

[54] **GARBAGE BAG HOLDER**

Primary Examiner—James M. Gandy
Assistant Examiner—Robin V. Taylor
Attorney, Agent, or Firm—Mila Shvartsman

[76] Inventor: **Ralph Goldman**, 249 Kenaston Ave.,
Mount Royal, Que., Canada, H3R 1M3

[**] Term: **14 Years**

[57] **CLAIM**

The ornamental design for a garbage bag holder, as shown and described.

[21] Appl. No.: **34,819**

DESCRIPTION

[22] Filed: **Feb. 13, 1995**

[52] **U.S. Cl.** **D34/6**

[58] **Field of Search** D34/1, 5, 6; 248/95,
248/99, 97, 101, 907; D6/553, 566

FIG. 1 is a perspective view of a garbage bag holder showing my new design;

FIG. 2 is a the left-side view of FIG. 1;

FIG. 3 is the right-side view of FIG. 1;

FIG. 4 is the rear view of FIG. 1;

FIG. 5 is the front view of FIG. 1;

FIG. 6 is the plan view of FIG. 1;

FIG. 7 is the bottom view of FIG. 1; and,

FIG. 8 is a perspective view of device in use inserted into the garbage container.

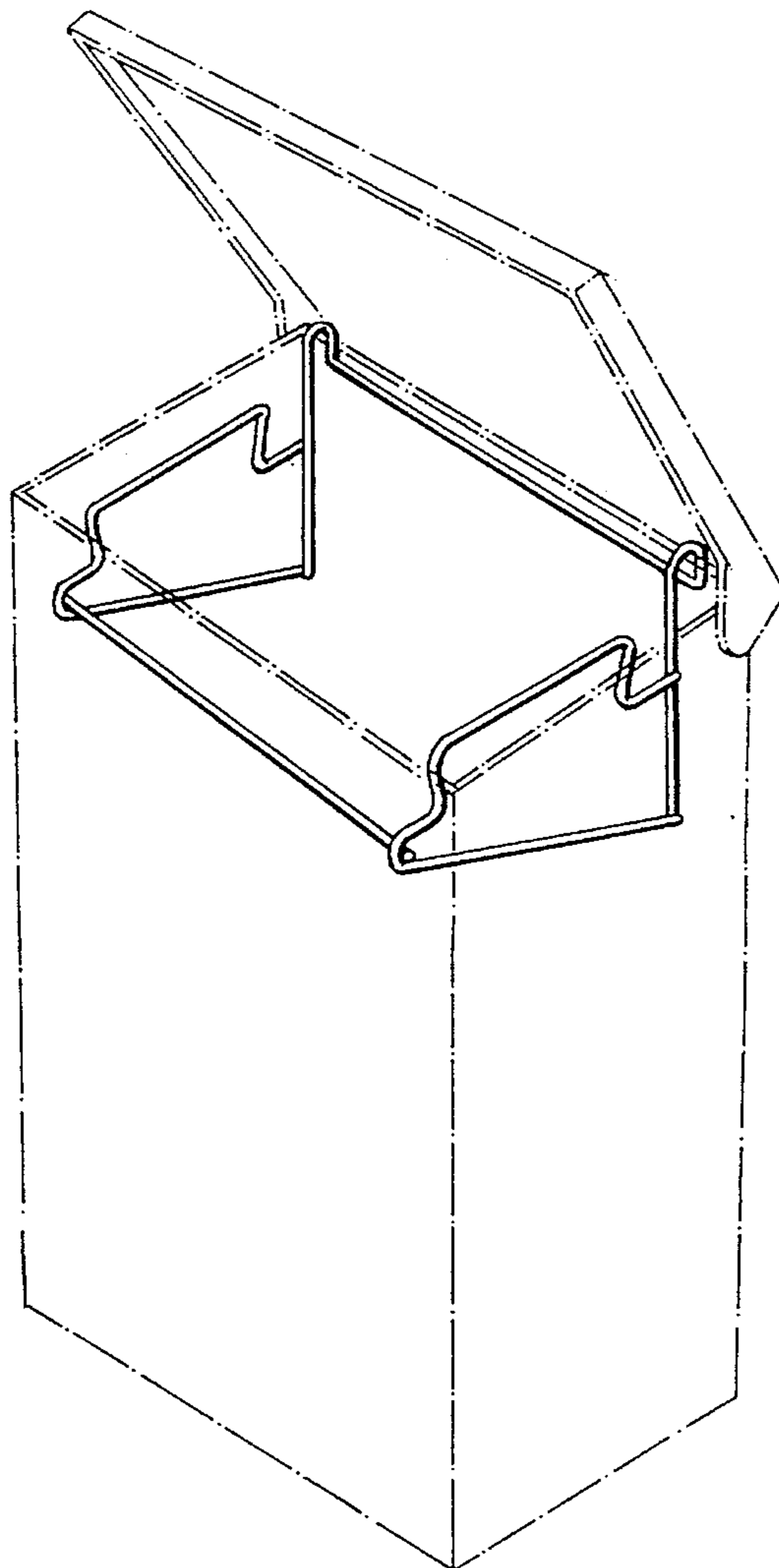
The broken line showing of a receptacle is for illustrative purposes only and forms no part of the claimed design.

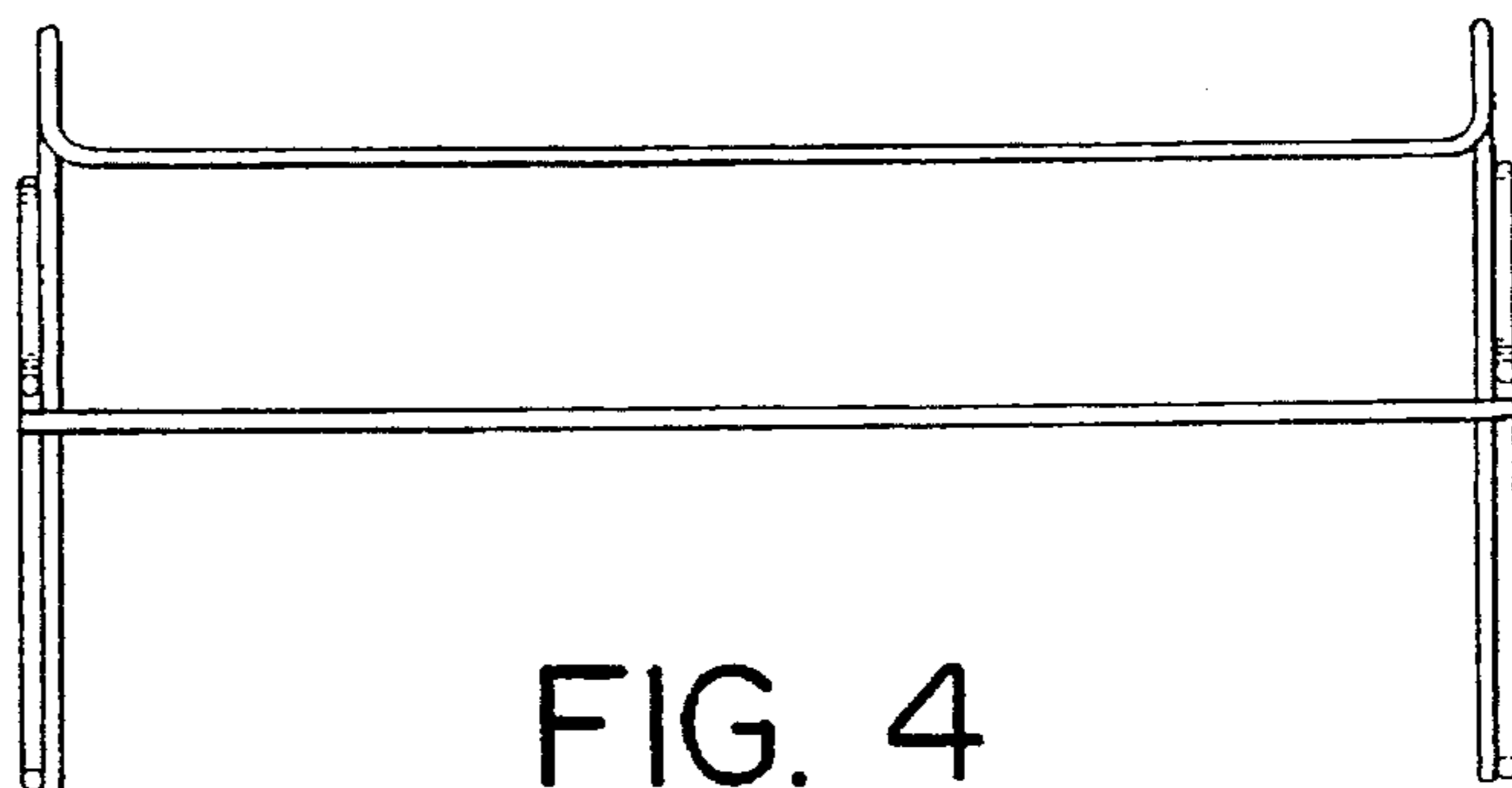
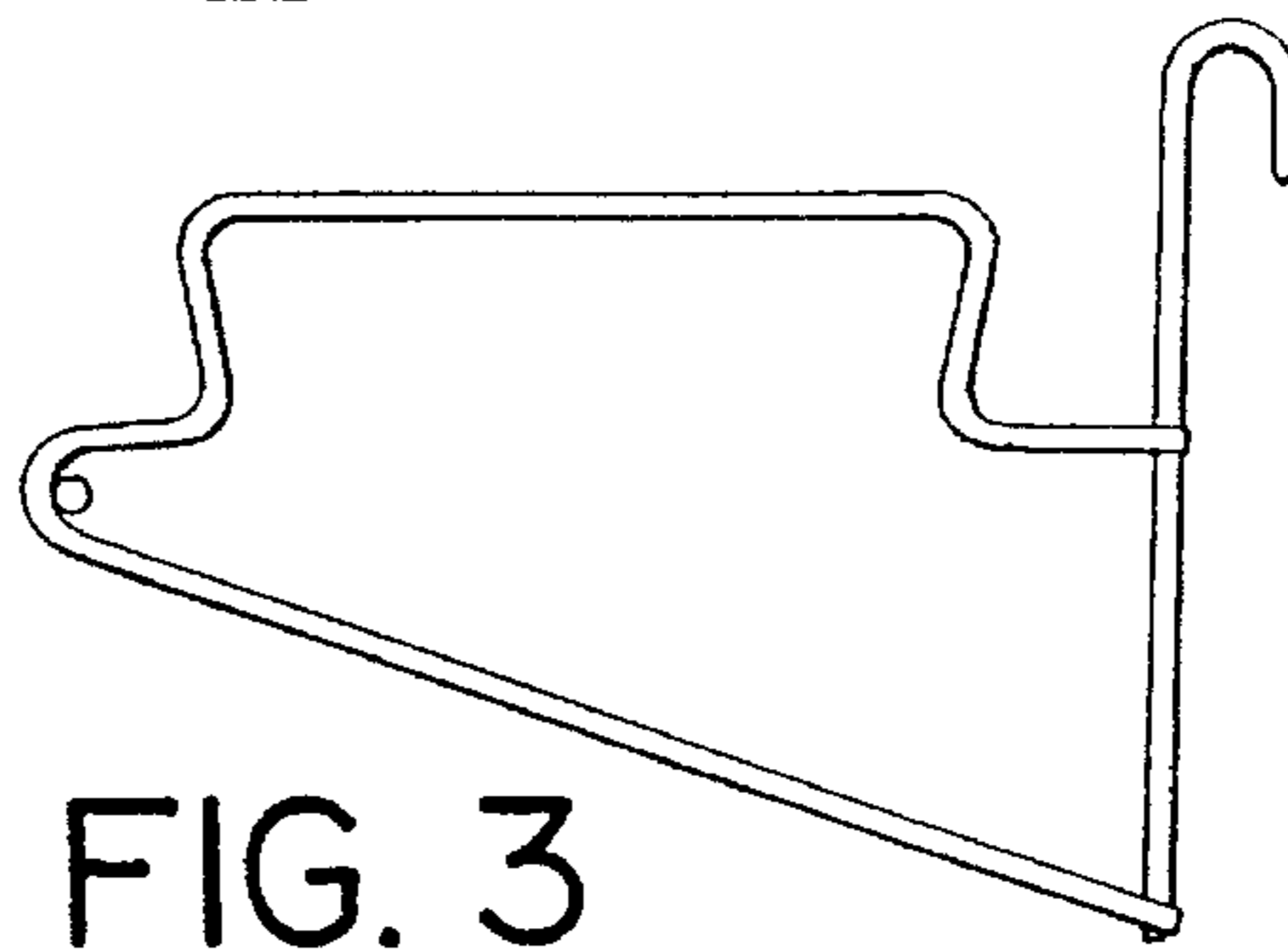
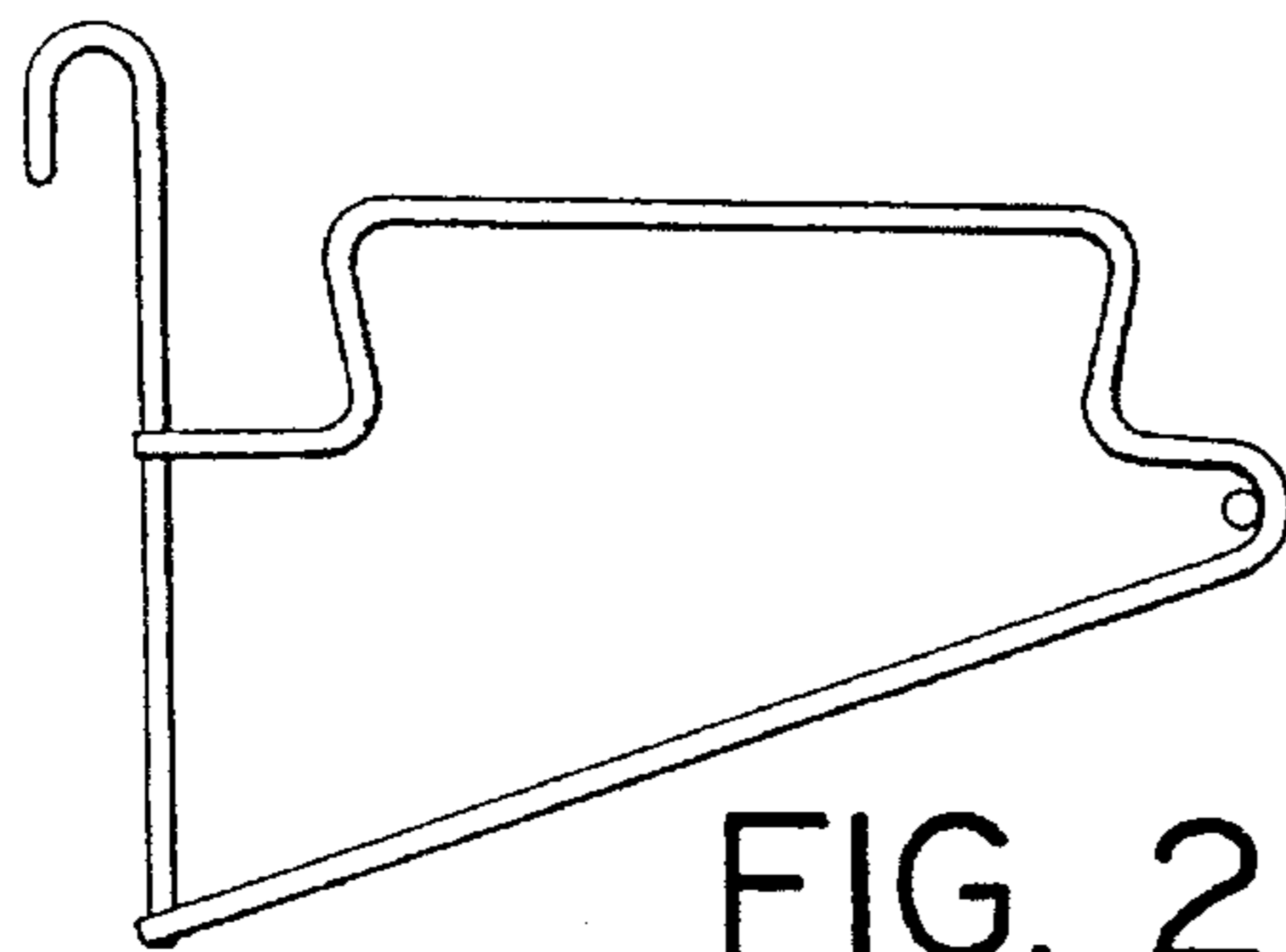
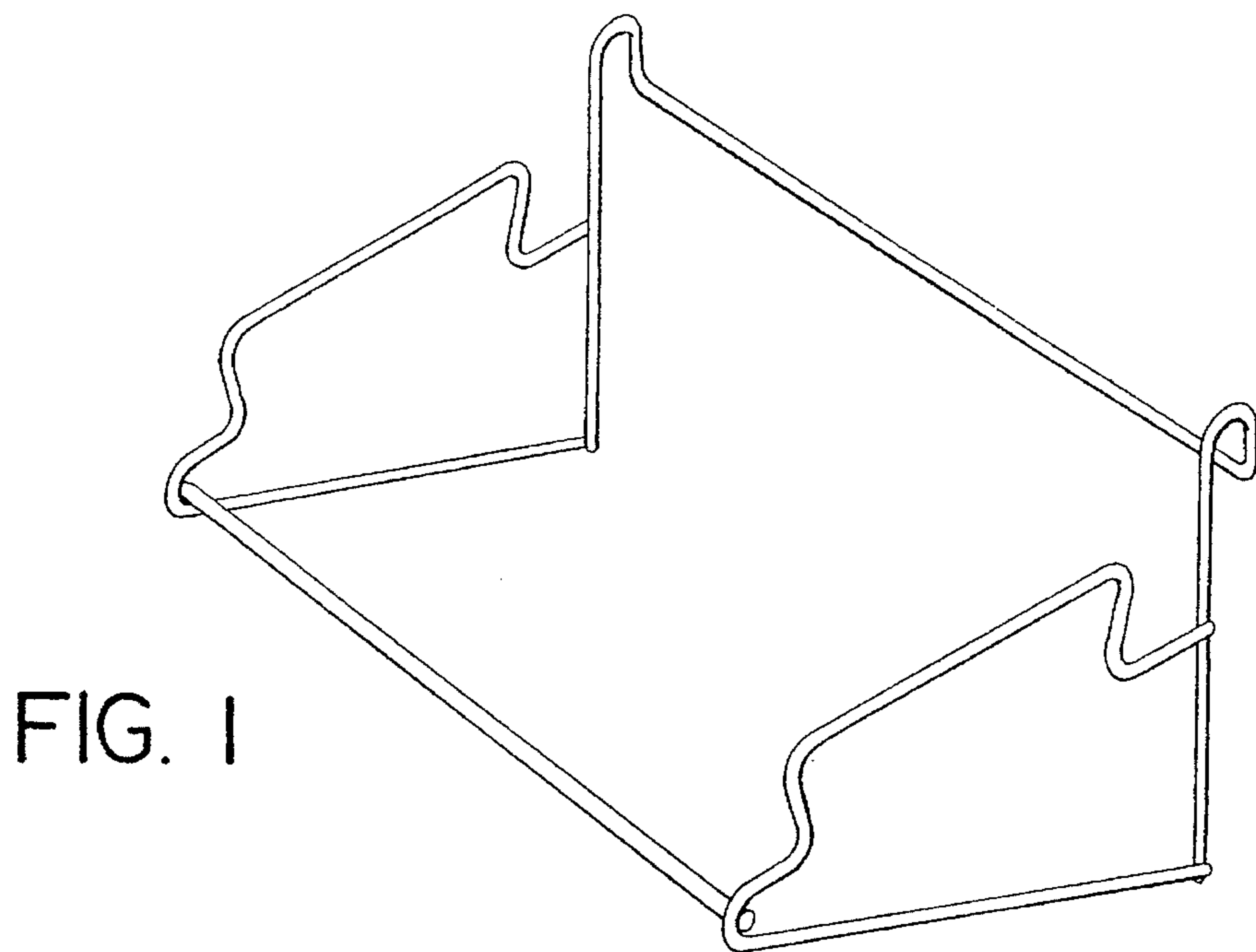
[56] **References Cited**

U.S. PATENT DOCUMENTS

D. 222,367	10/1971	Goss	D6/566
D. 273,159	3/1984	Adamson et al.	D34/6
D. 286,217	10/1986	Waun et al.	D34/6
D. 302,062	7/1989	Sable	D34/5
D. 319,125	8/1991	Currie	D6/566
D. 327,599	7/1992	David	D6/566
810,329	1/1906	Dyett	248/95
4,579,307	4/1986	Malik	248/99
5,012,994	5/1991	Keefe	D34/6

1 Claim, 3 Drawing Sheets





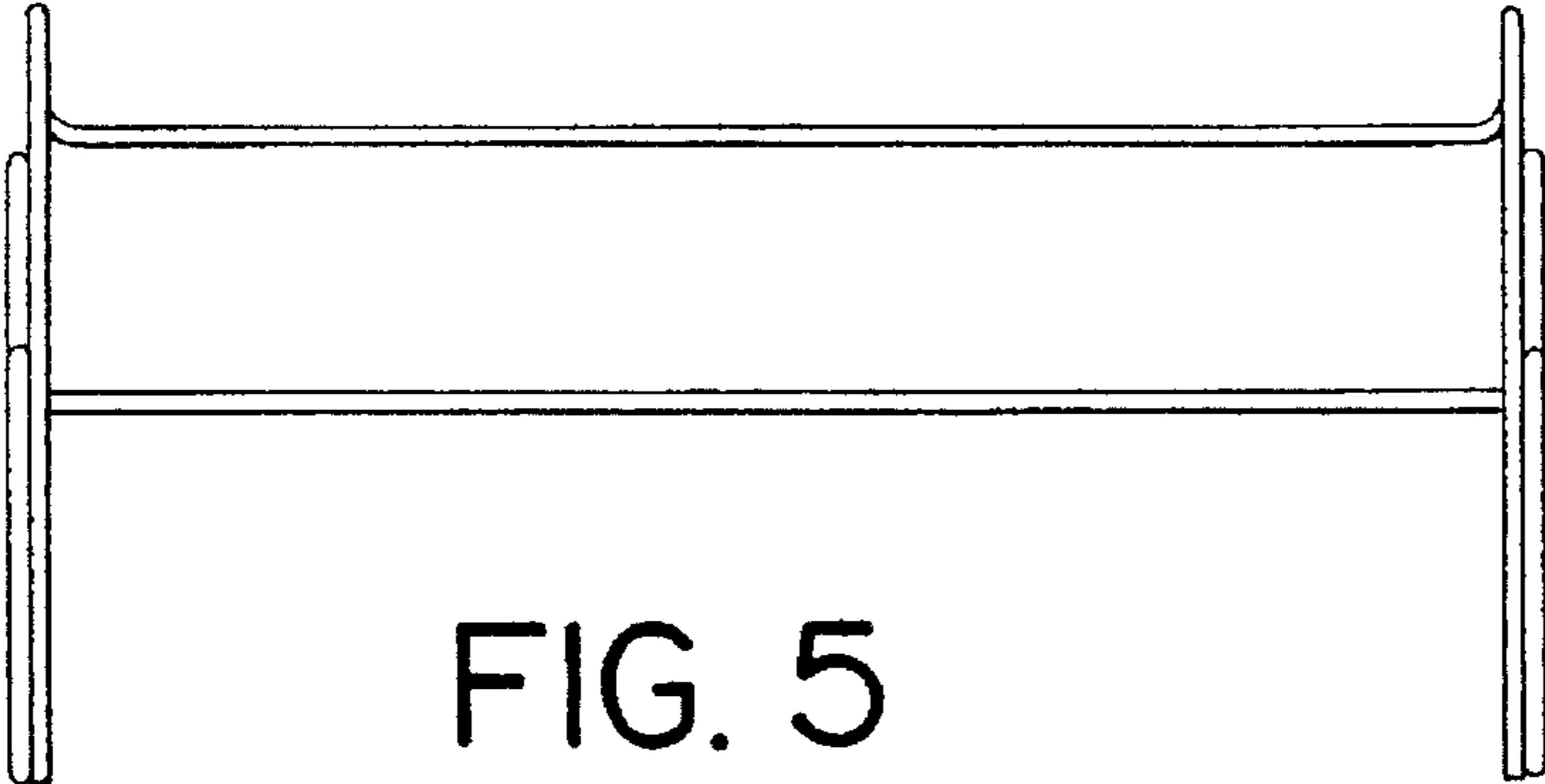


FIG. 5

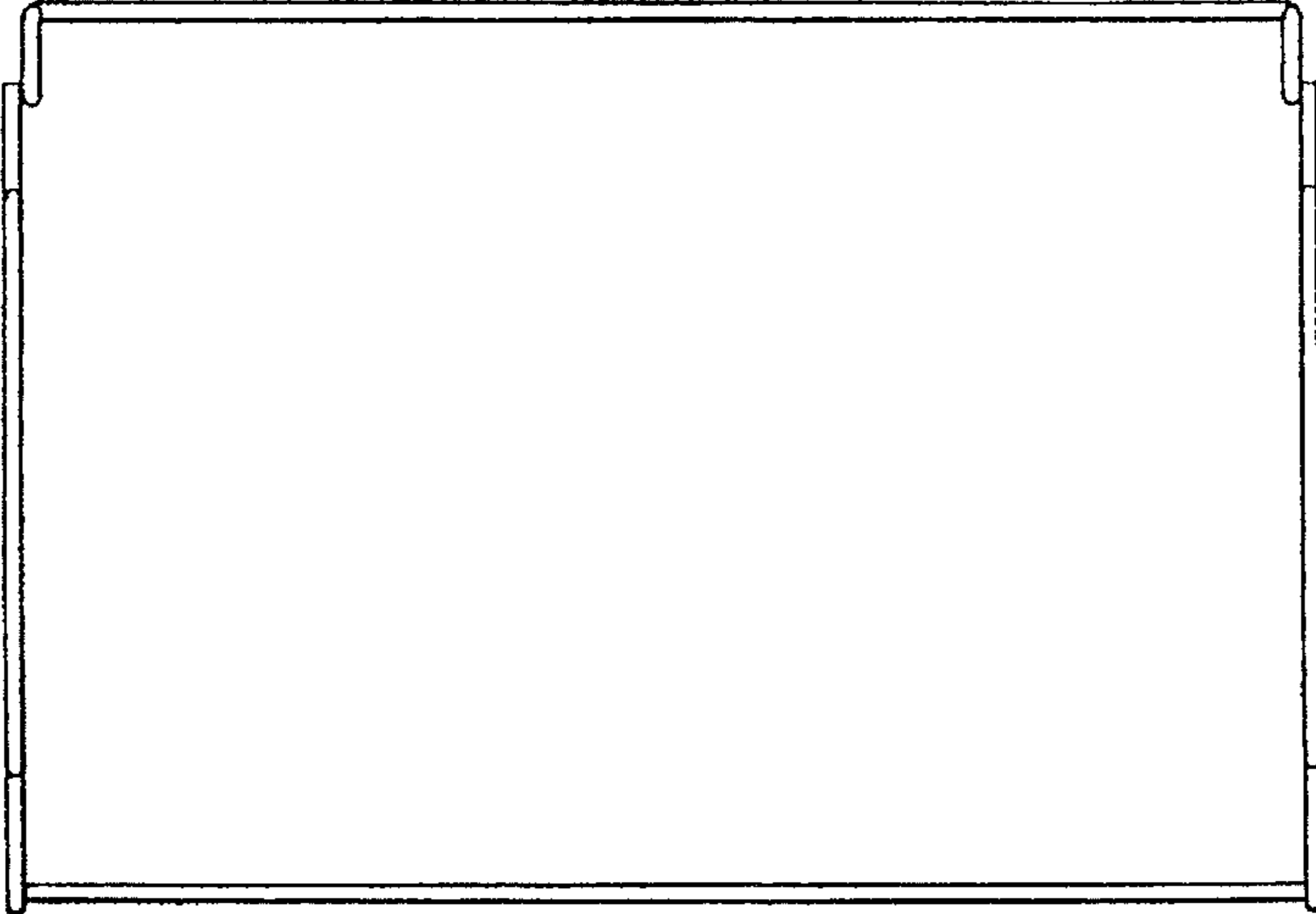


FIG. 6

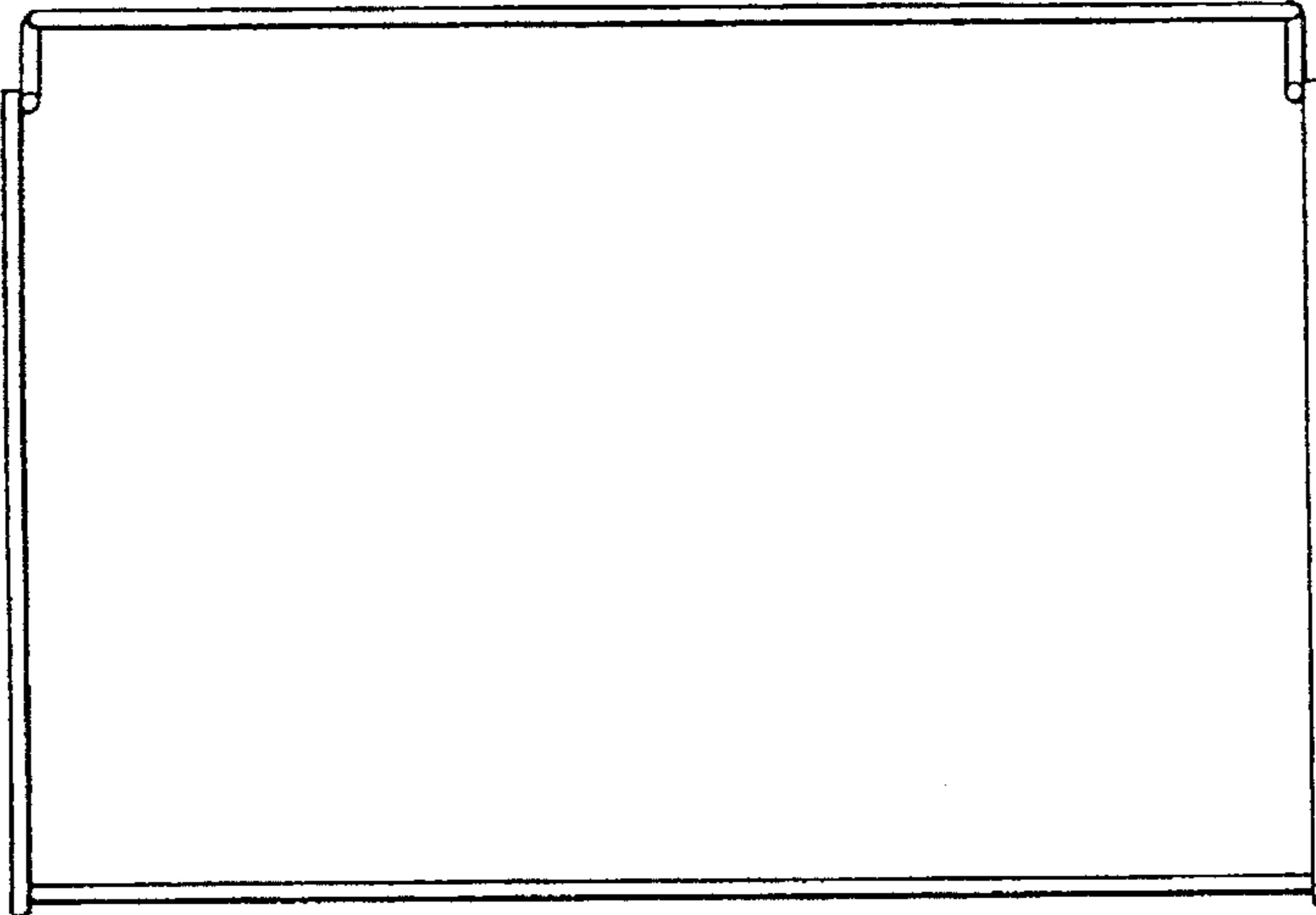


FIG. 7

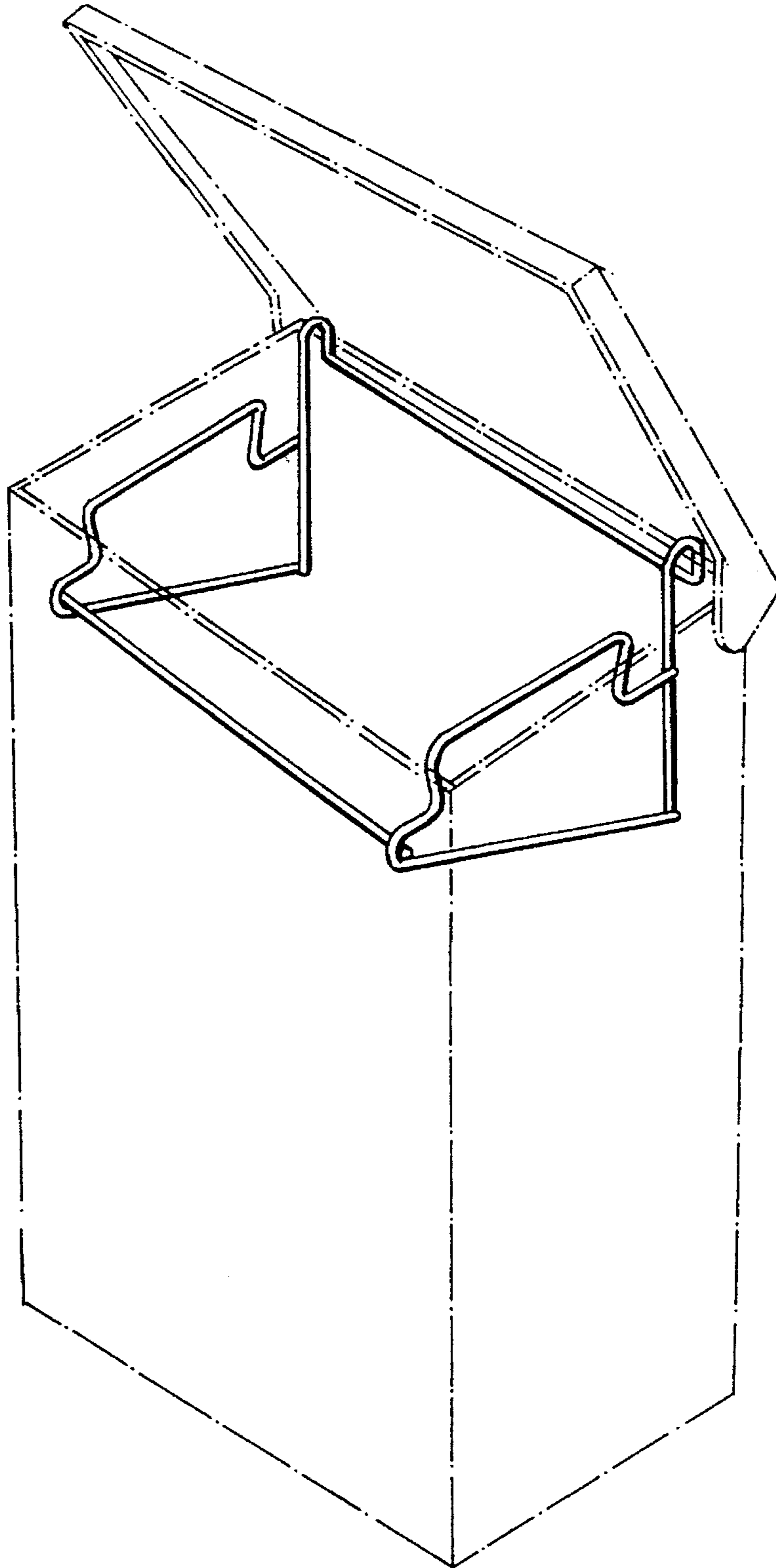


FIG. 8