



US00D371658S

United States Patent [19]

Cassel

[11] Patent Number: **Des. 371,658**

[45] Date of Patent: ****Jul. 9, 1996**

[54] INDUSTRIAL CONTAINER

- [75] Inventor: **Timothy S. Cassel**, Arlington, Mass.
- [73] Assignee: **Tucker Housewares**, Leominster, Mass.
- [**] Term: **14 Years**
- [21] Appl. No.: **34,989**
- [22] Filed: **Jan. 13, 1995**
- [52] U.S. Cl. **D34/5**
- [58] Field of Search D34/1, 5-7, 10;
220/908-911, 675, 404

[56] References Cited

U.S. PATENT DOCUMENTS

D. 218,359	8/1970	Marsh	D34/5
D. 291,739	9/1987	Orlowski	D34/5
D. 292,638	11/1987	Carville	D34/5
D. 313,491	1/1991	Edelhoff et al.	D34/5
D. 323,914	2/1992	Doxey et al.	D34/5
D. 347,095	5/1994	Apps et al.	D34/5
4,351,539	9/1982	Rodolakis	220/908

Primary Examiner—A. Hugo Word
 Assistant Examiner—Robin V. Taylor
 Attorney, Agent, or Firm—Darby & Darby

[57] CLAIM

The ornamental design for an industrial container, as shown and described.

DESCRIPTION

FIG. 1 is a rear perspective view of a first embodiment of a container showing my new design;
 FIG. 2 is a front elevational view thereof;
 FIG. 3 is a right side elevational view thereof, the left side being a mirror image of the right side shown;
 FIG. 4 is a rear elevational view thereof;
 FIG. 5 is a top plan view thereof;
 FIG. 6 is a bottom plan view thereof;
 FIG. 7 is a rear perspective view of a second embodiment of a container showing my new design;
 FIG. 8 is a front elevational view thereof;
 FIG. 9 is a right side elevational view thereof, the left side being a mirror image of the right side shown;
 FIG. 10 is a rear elevational view thereof;
 FIG. 11 is a top plan view thereof; and,
 FIG. 12 is a bottom plan view thereof.
 The broken line showing of an axle and wheels is for illustrative purposes only and forms no part of the claimed design.

1 Claim, 10 Drawing Sheets

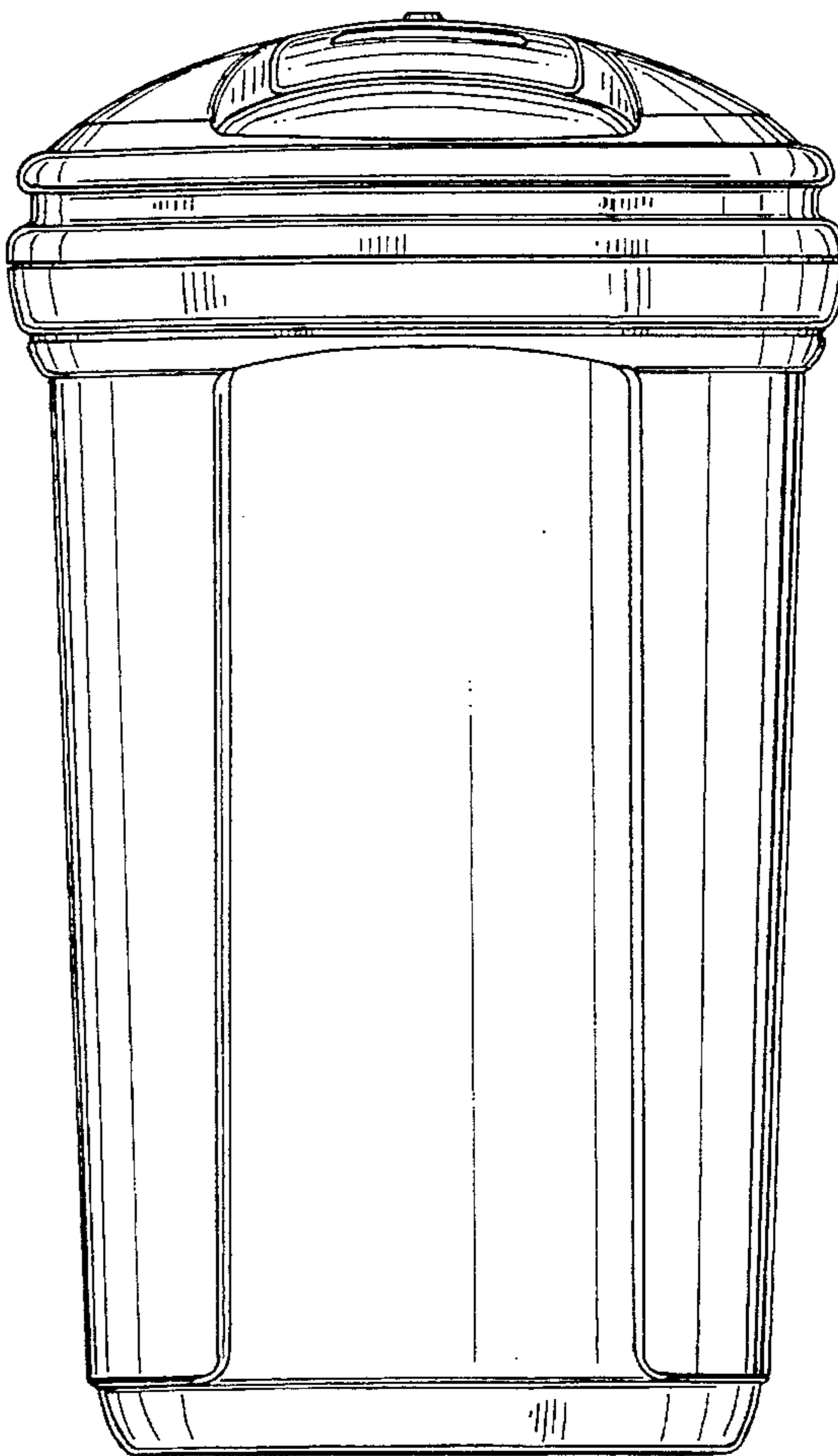
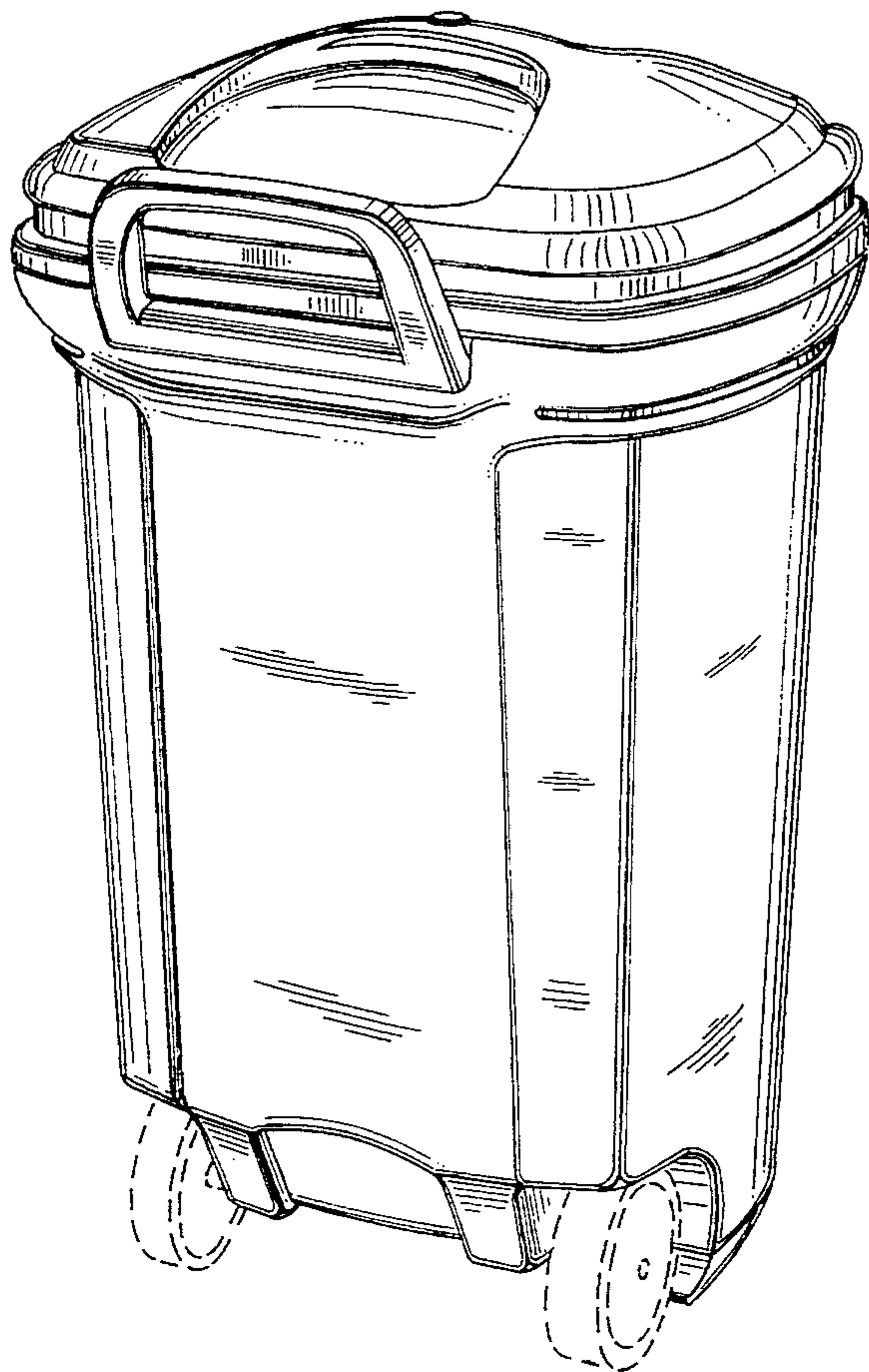


FIG. 1

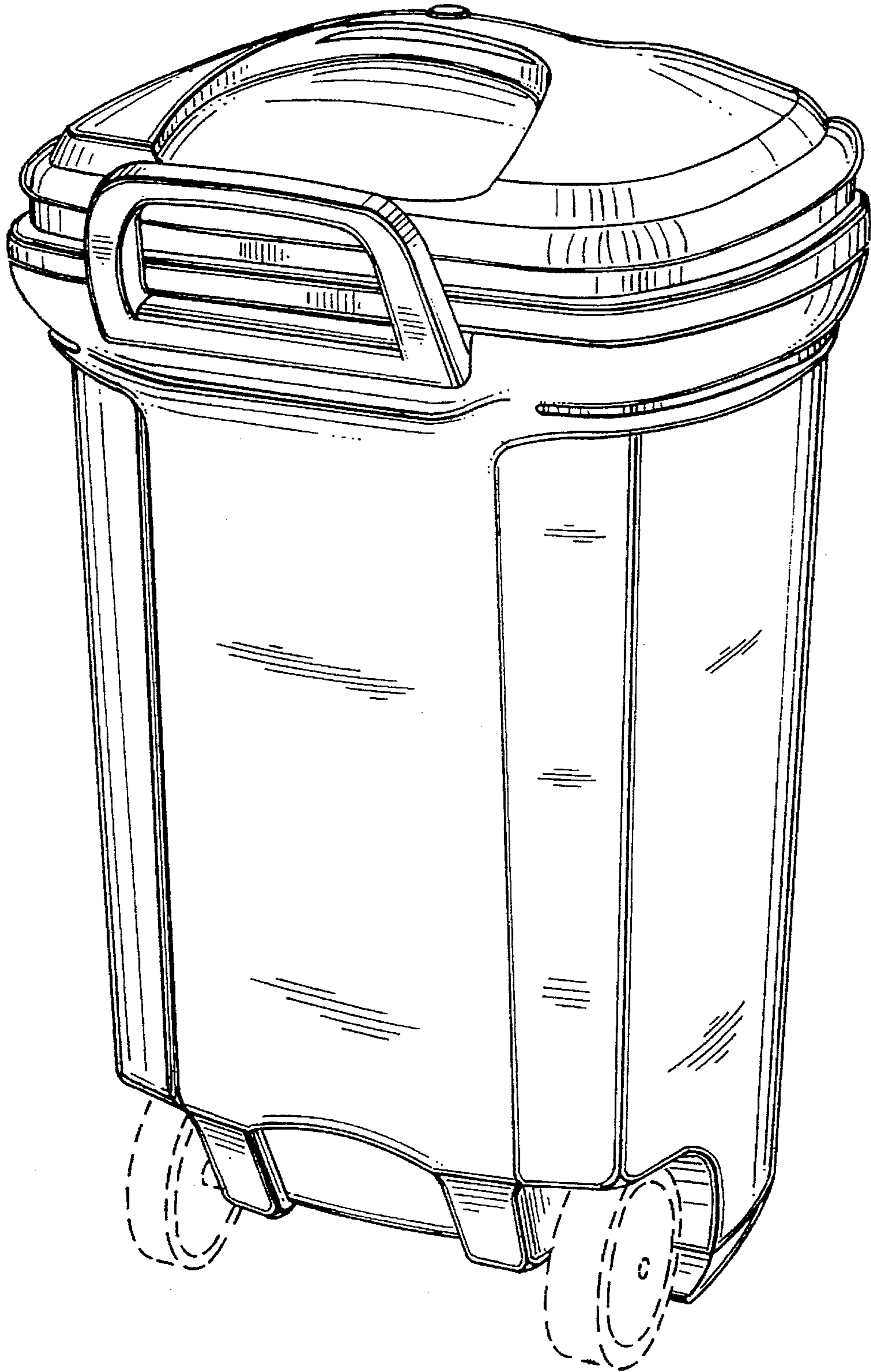


FIG. 2

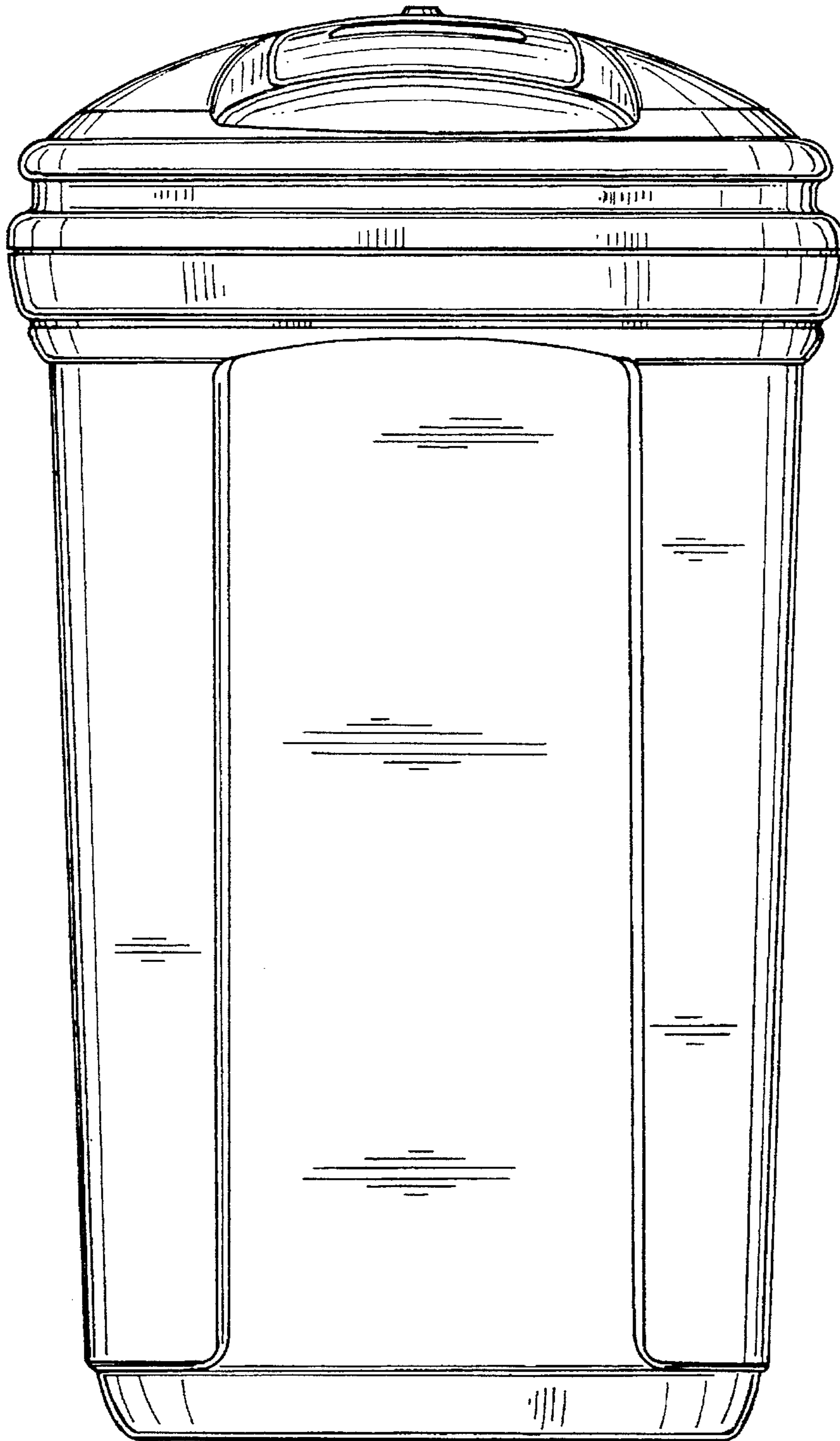


FIG. 3

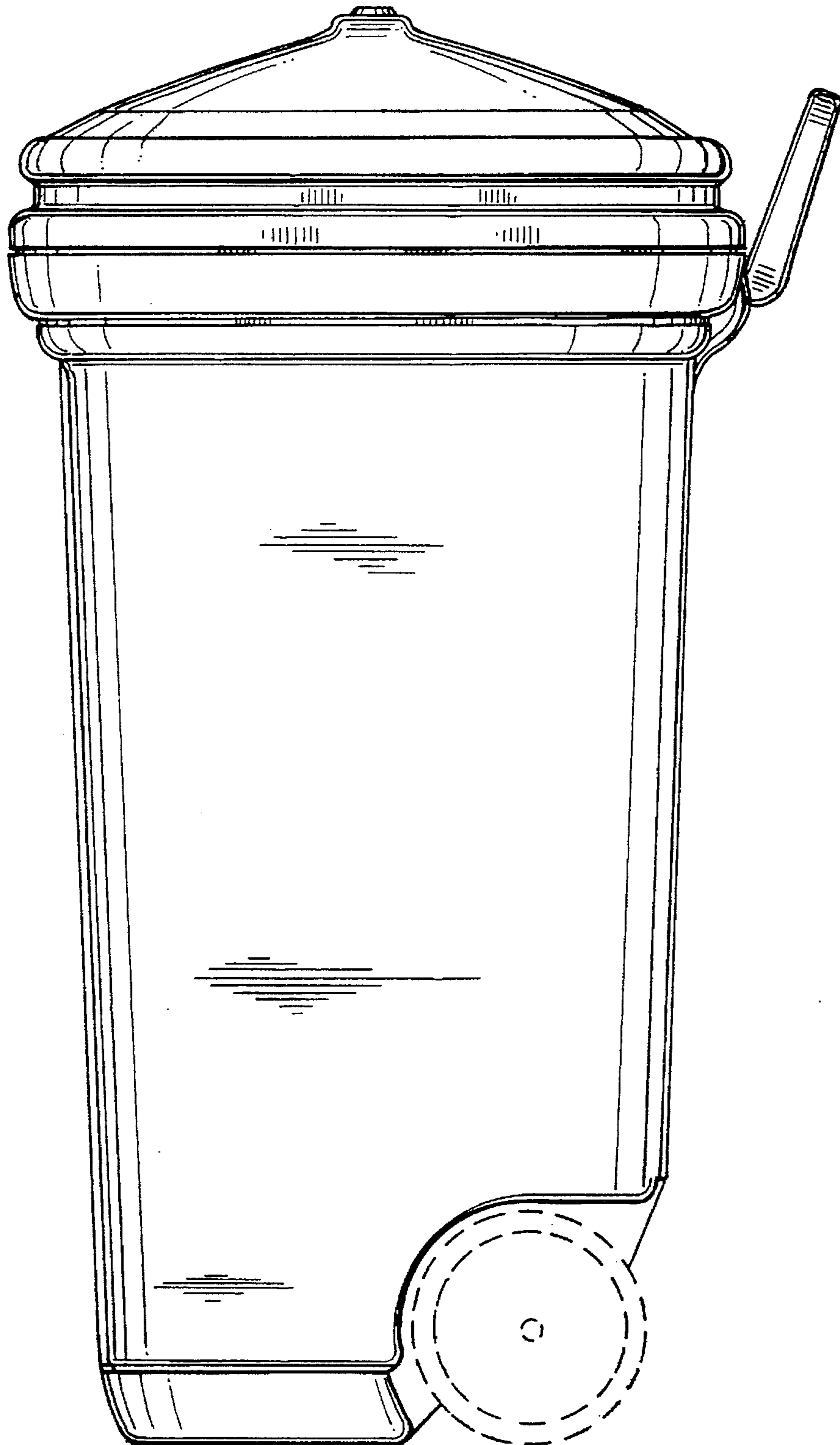
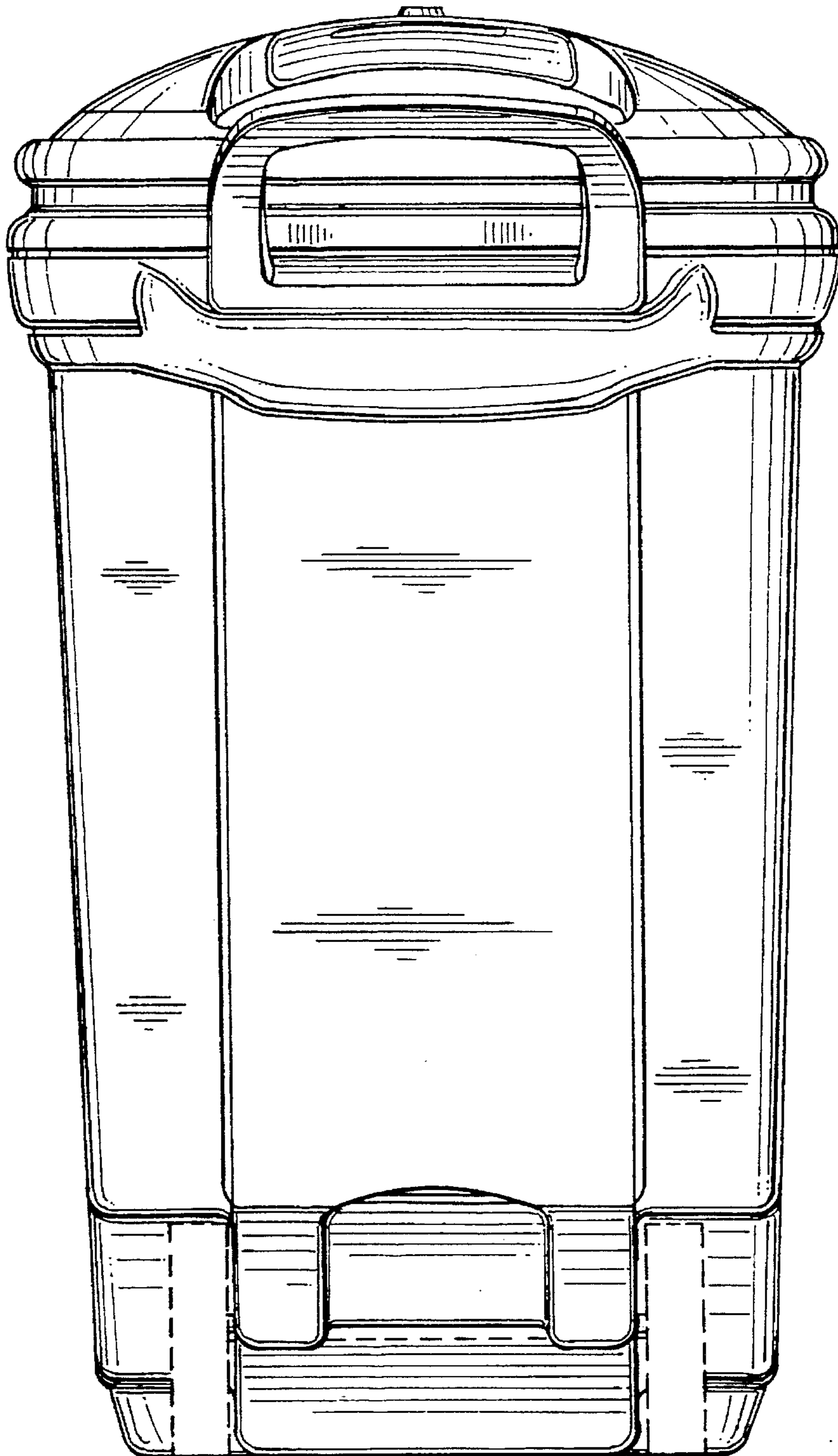


FIG. 4



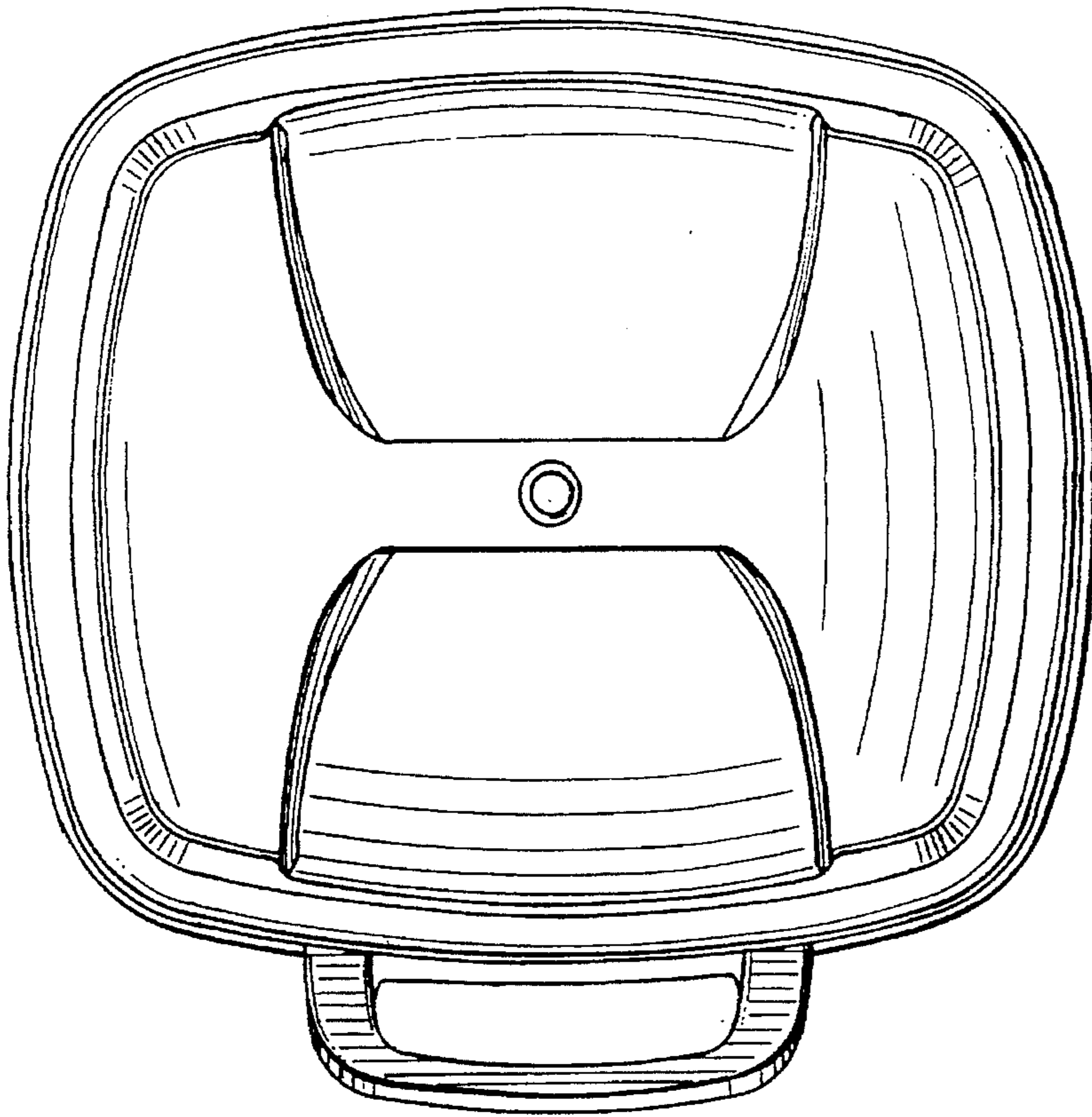


FIG. 5

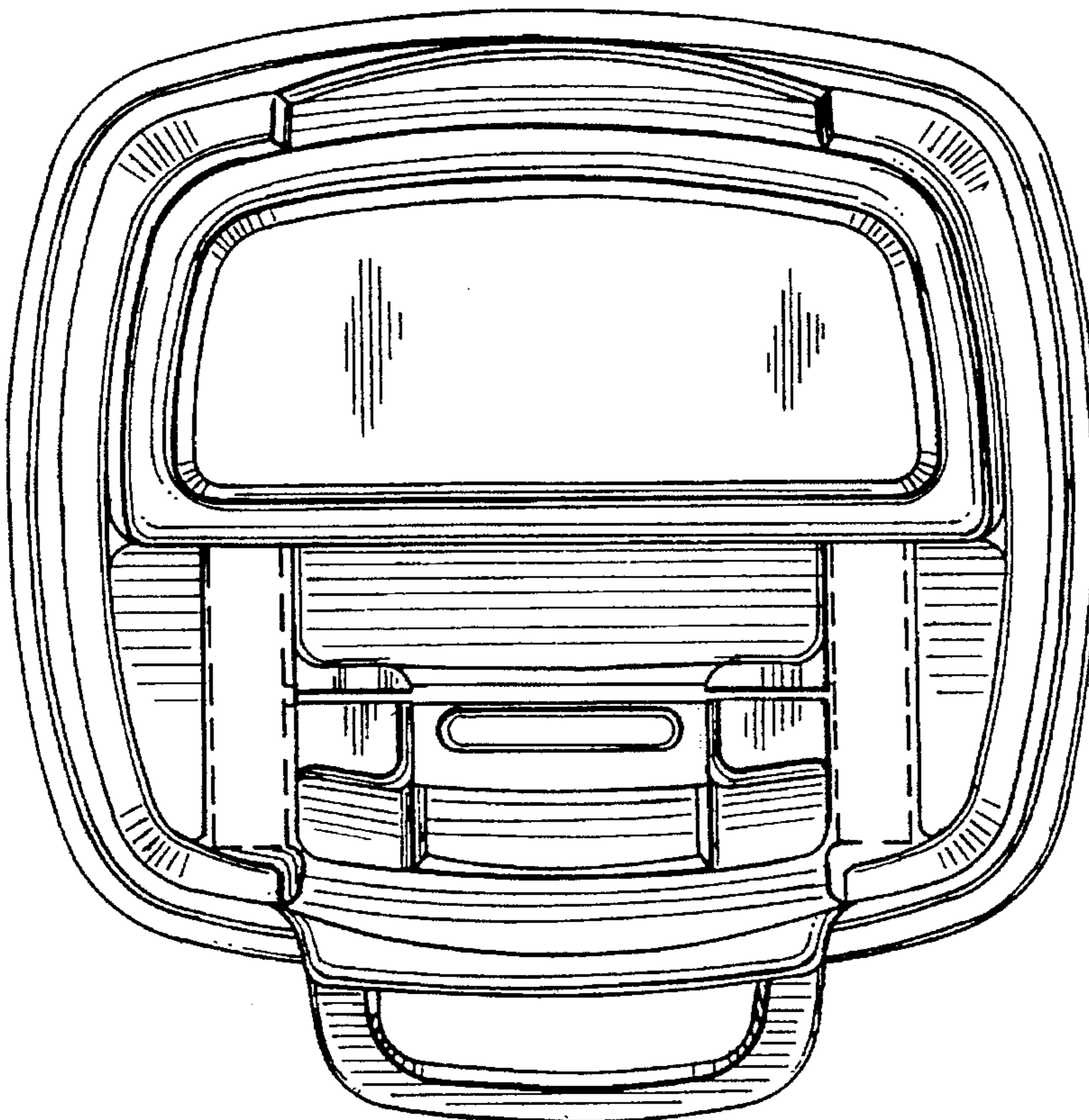


FIG. 6

FIG. 7

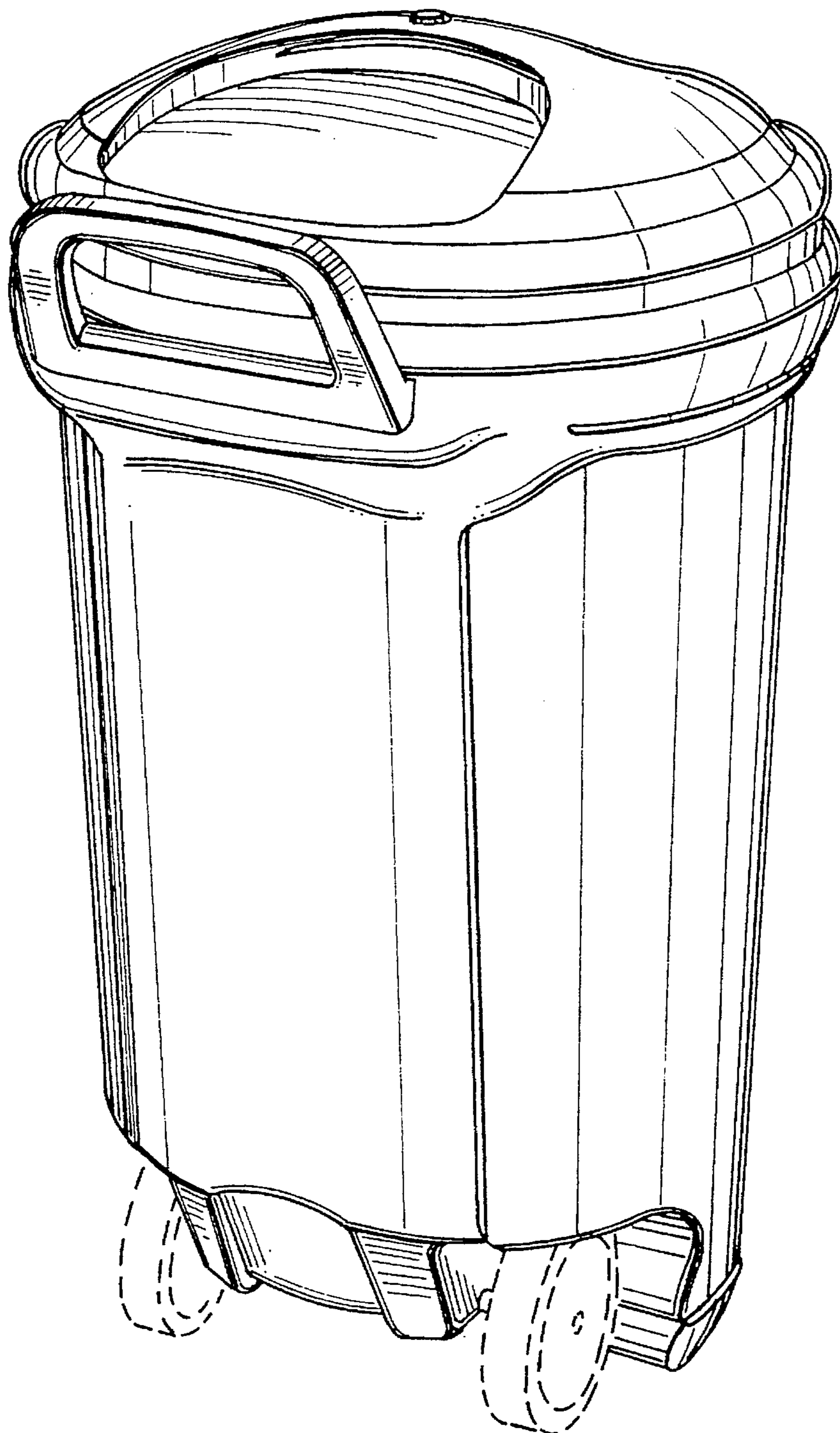


FIG. 8

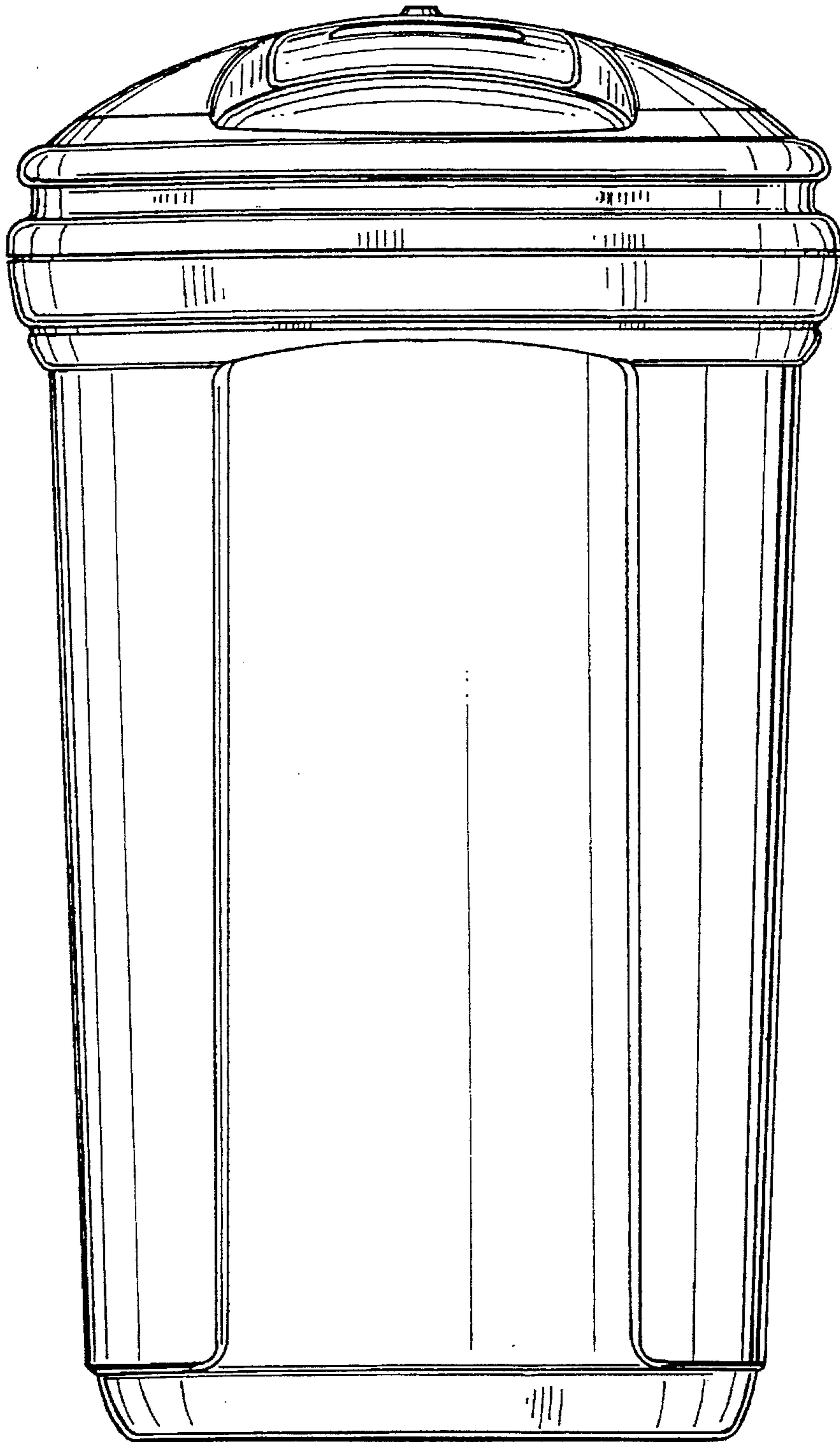


FIG. 9

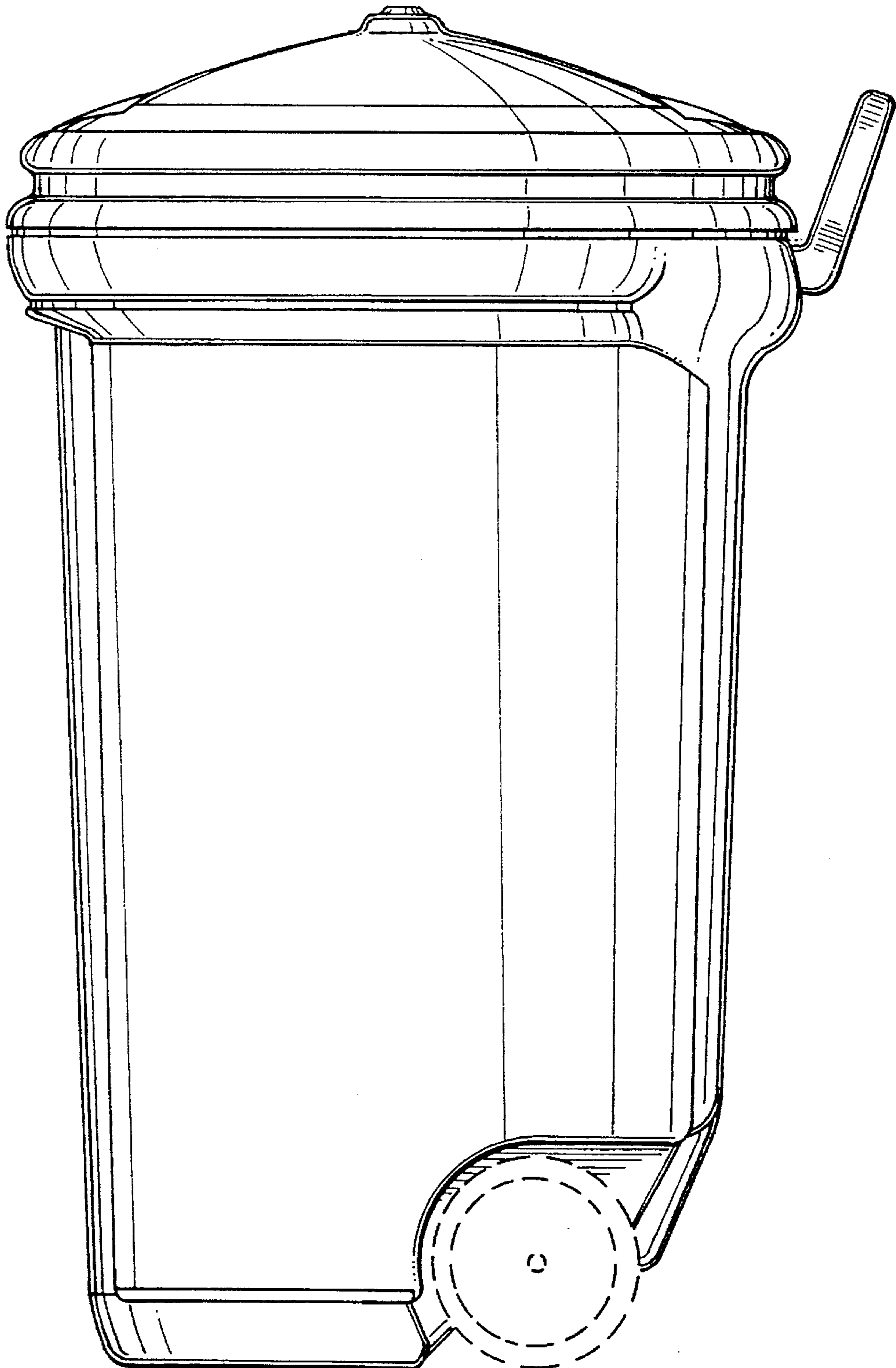
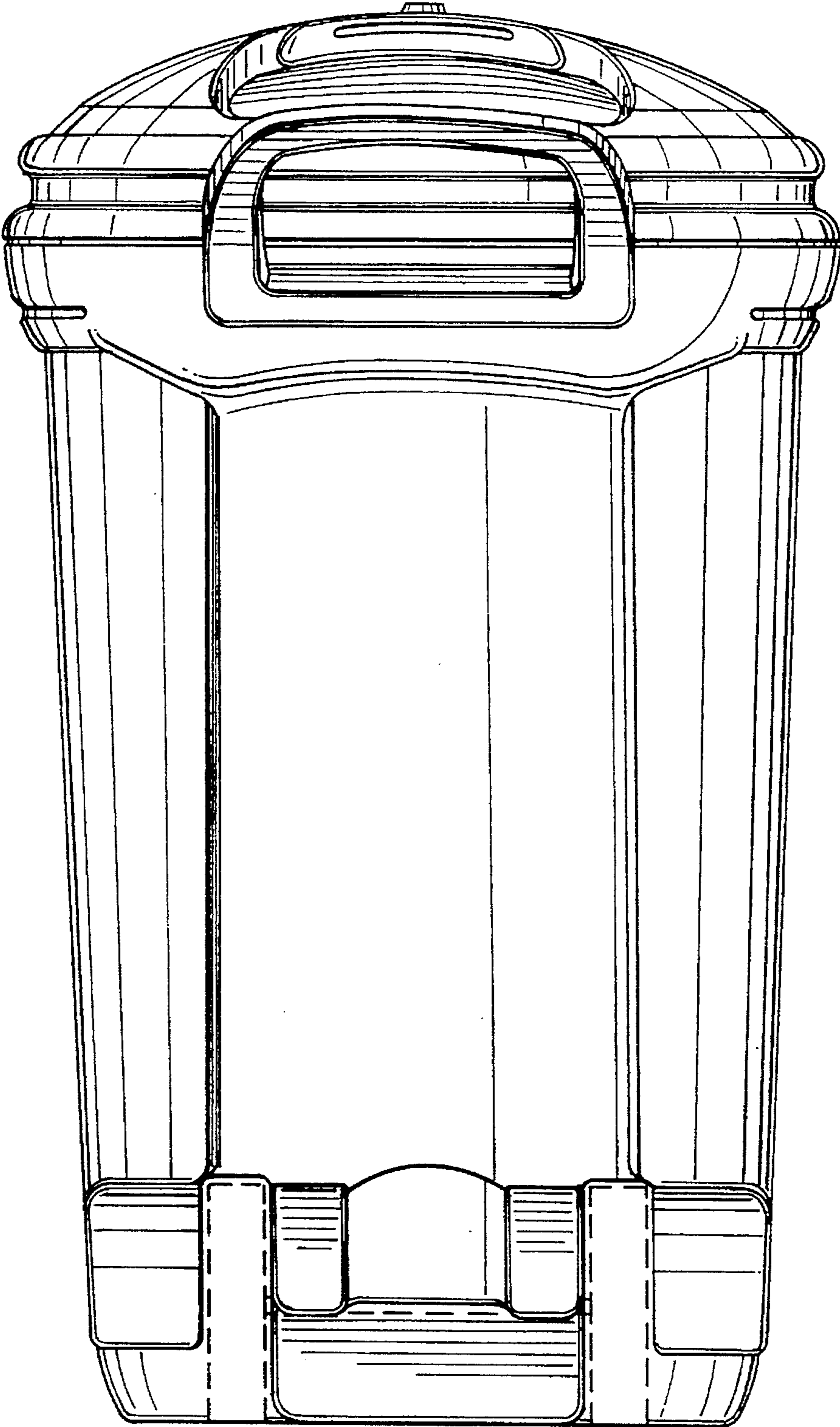


FIG. 10



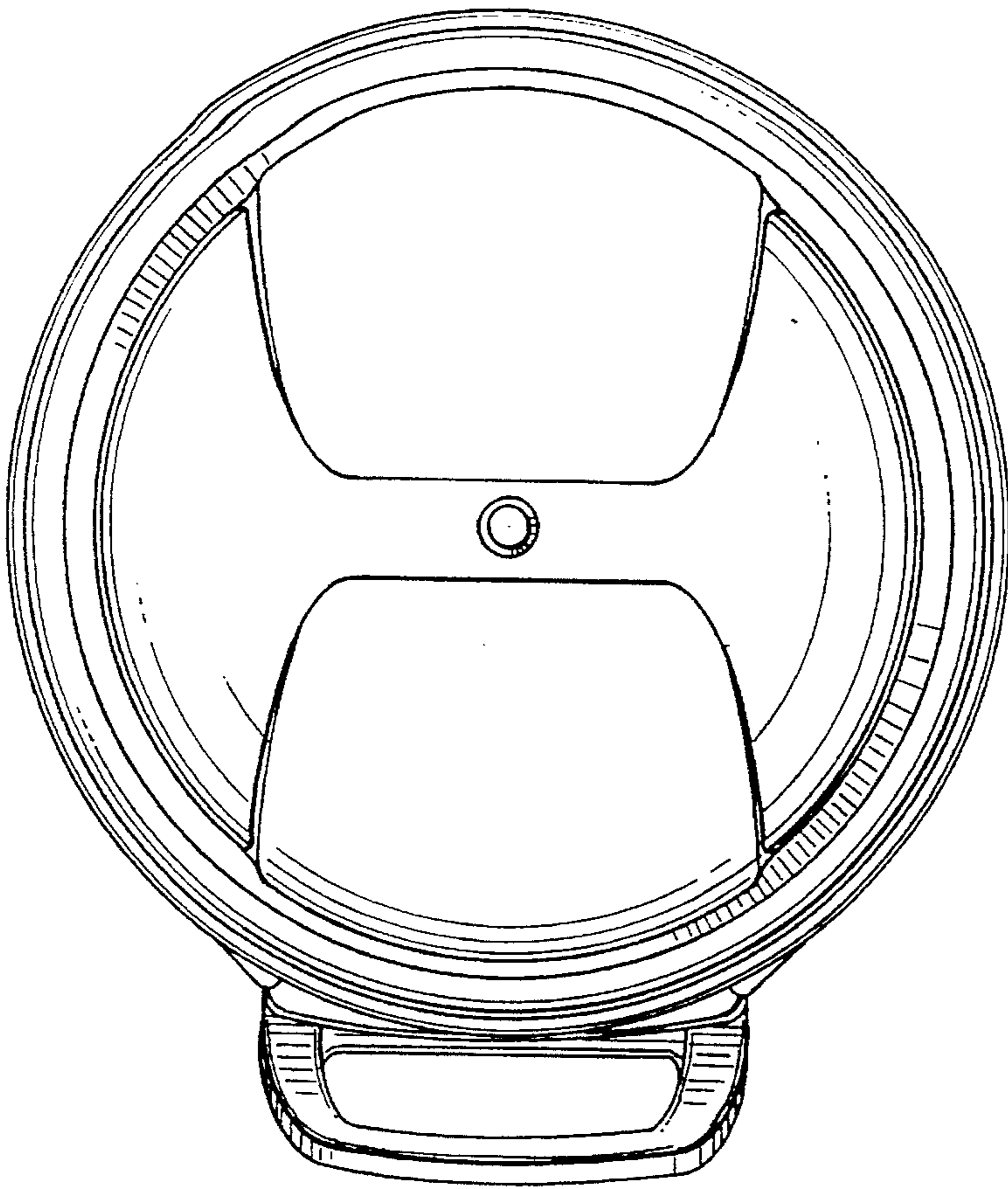


FIG. 11

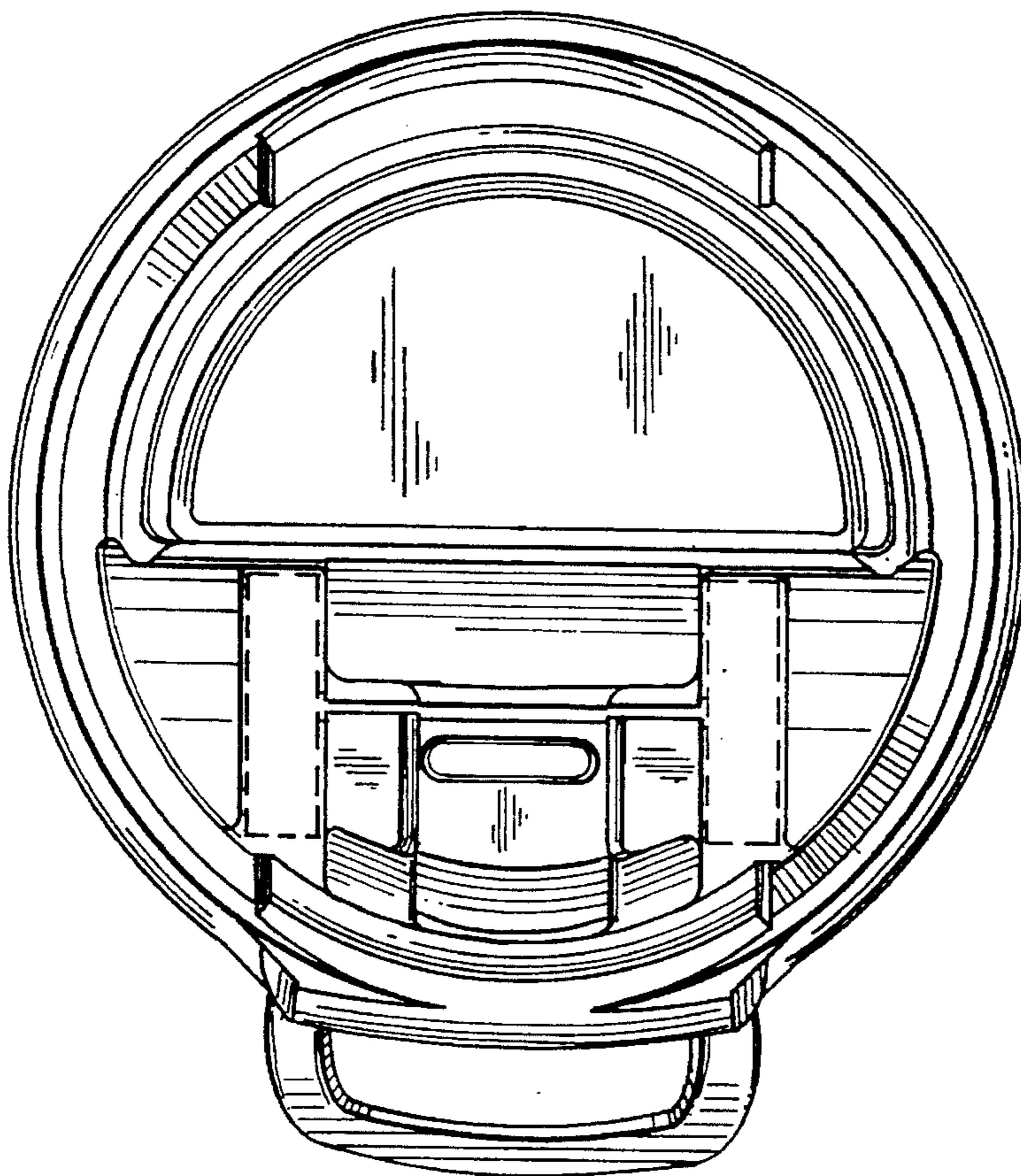


FIG. 12