



US00D371656S

# United States Patent [19]

Mason, III et al.

[11] Patent Number: **Des. 371,656**

[45] Date of Patent: **\*\*Jul. 9, 1996**

[54] **ELONGATED INSERT STRIP FOR ADHESIVELY FASTENING FABRIC TO A FRAME**

4,525,909	7/1985	Newman	29/121.1
5,127,176	7/1992	Newman	38/102.1
5,379,691	1/1995	Hamu et al.	101/127.1
5,458,060	10/1995	Casl	101/120 X

[75] Inventors: **William H. Mason, III**, St. Paul;  
**David B. Lamps**, Woodbury, both of Minn.

### FOREIGN PATENT DOCUMENTS

0105834	11/1942	Sweden	101/127.1
0620629	3/1949	United Kingdom	101/127.1
0641996	8/1950	United Kingdom	101/127.1

[73] Assignee: **Uncommon Conglomerates, Inc.**, St. Paul, Minn.

*Primary Examiner*—Antoine Duval Davis  
*Attorney, Agent, or Firm*—Anthony G. Eggink

[\*\*] Term: **14 Years**

### [57] CLAIM

[21] Appl. No.: **30,046**

The ornamental design for an elongated insert strip for adhesively fastening fabric to a frame, as shown and described.

[22] Filed: **Oct. 21, 1994**

[52] U.S. Cl. .... **D32/41**

### DESCRIPTION

[58] **Field of Search** ..... D8/349; D25/119; D32/41; 29/121.1, 121.4; 38/102.91, 102.8, 102.1; 101/120, 123, 124, 127.1, 337; 118/115, 424, 425; 427/97, 365, 359, 360, 428.1, 430.1, 431, 436; 492/55

FIG. 1 is a perspective view of an elongated insert strip for adhesively fastening fabric to a frame, showing our new design;

### [56] References Cited

#### U.S. PATENT DOCUMENTS

2,545,277	6/1947	Hannah et al.	101/127.1
2,588,199	3/1952	Bily	101/127.1
3,601,912	8/1971	Dubbs	38/102.91
3,908,293	9/1975	Newman	38/102.91
3,914,887	10/1975	Newman	38/102.8
4,345,390	8/1982	Newman	38/102.91

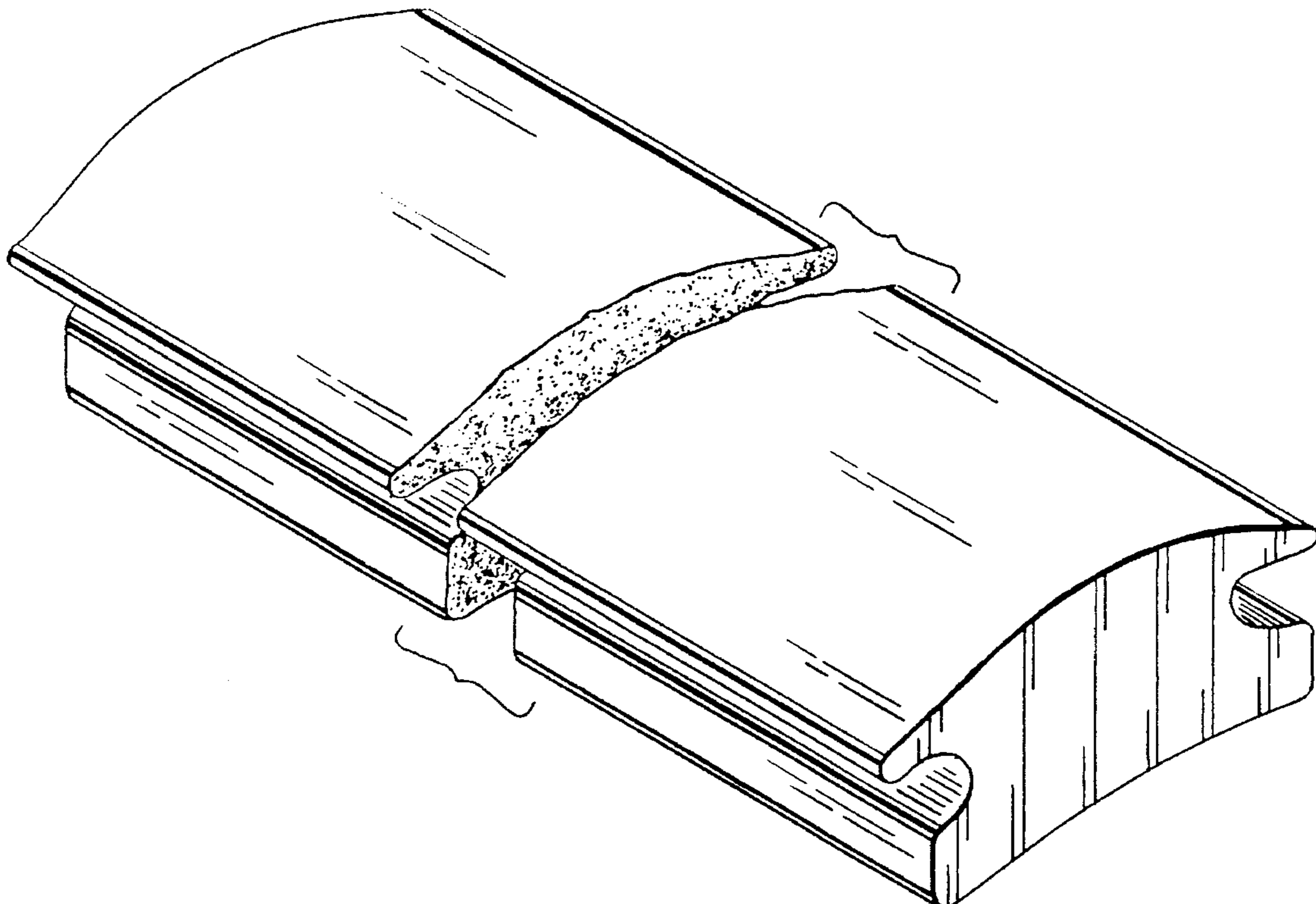
FIG. 2 is an elevational view thereof, the opposite end being a mirror image;

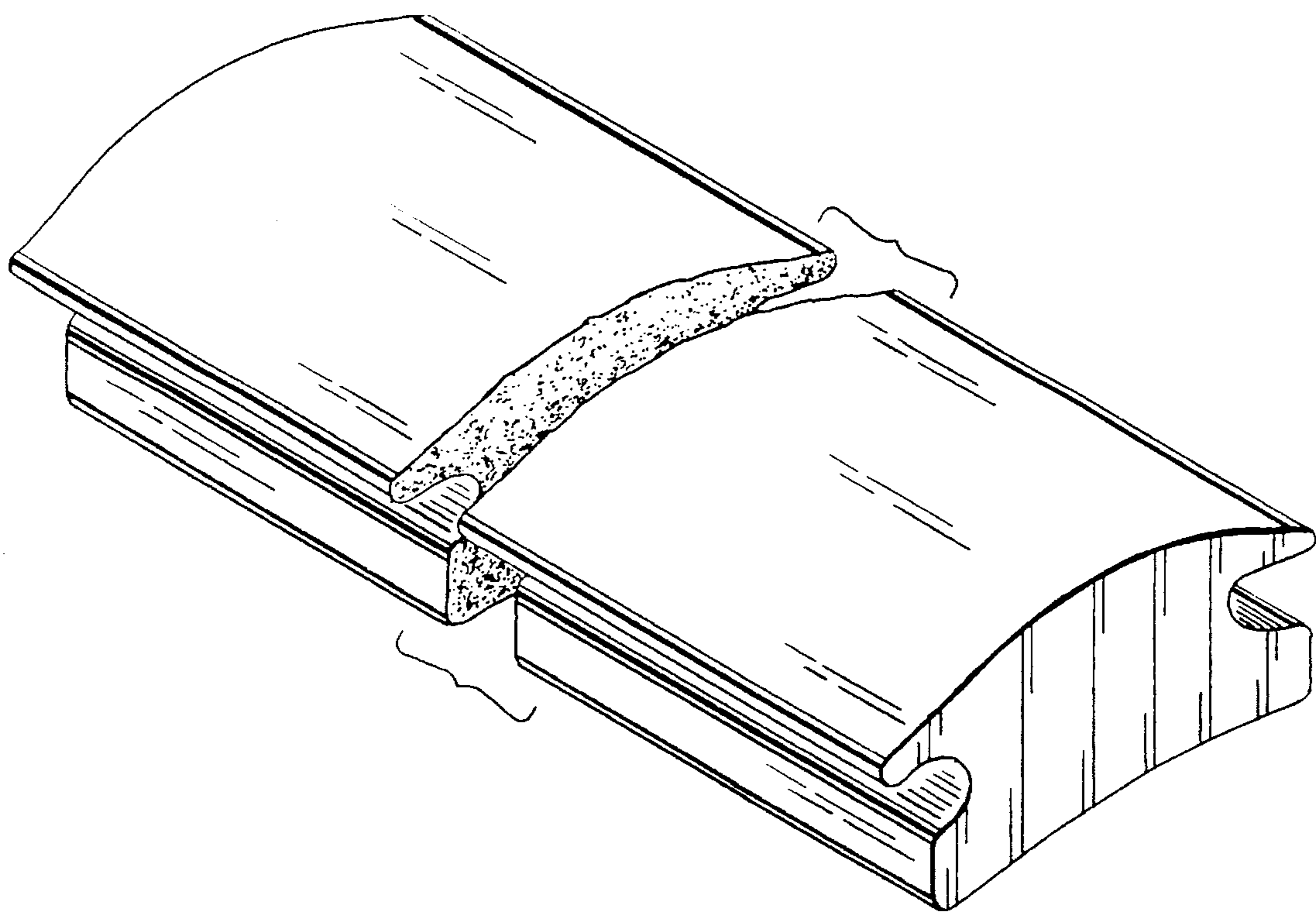
FIG. 3 is a side elevational end view thereof, the opposite side being a mirror image, the elongated strip shown broken away to indicate indeterminate length;

FIG. 4 is a top plan view thereof; and,

FIG. 5 is a bottom plan view thereof.

**1 Claim, 2 Drawing Sheets**





**FIG. 1**

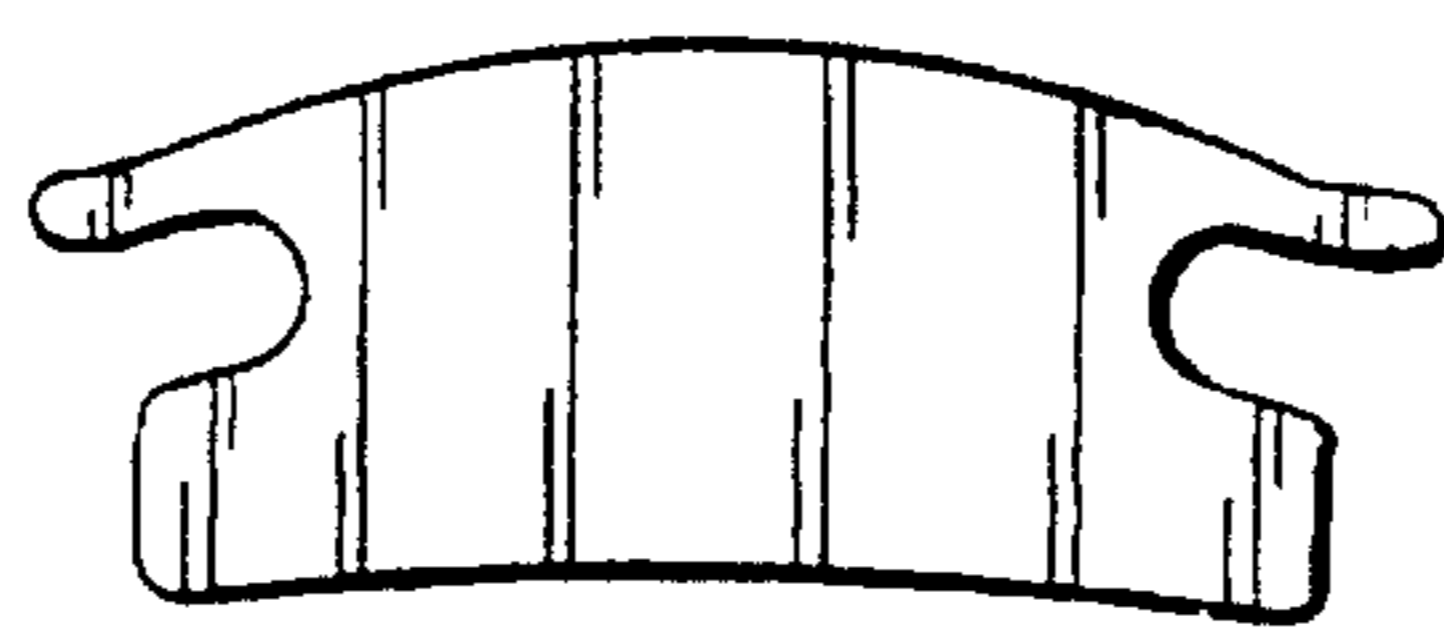


FIG. 2

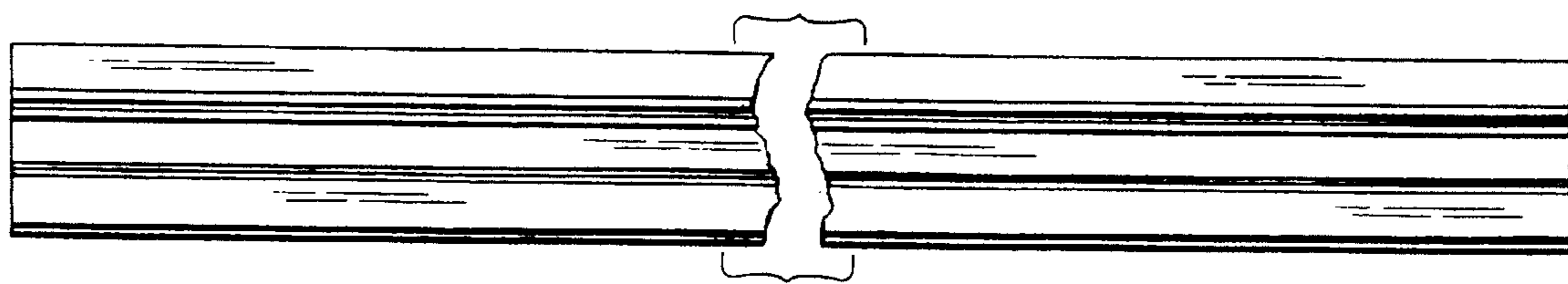


FIG. 3

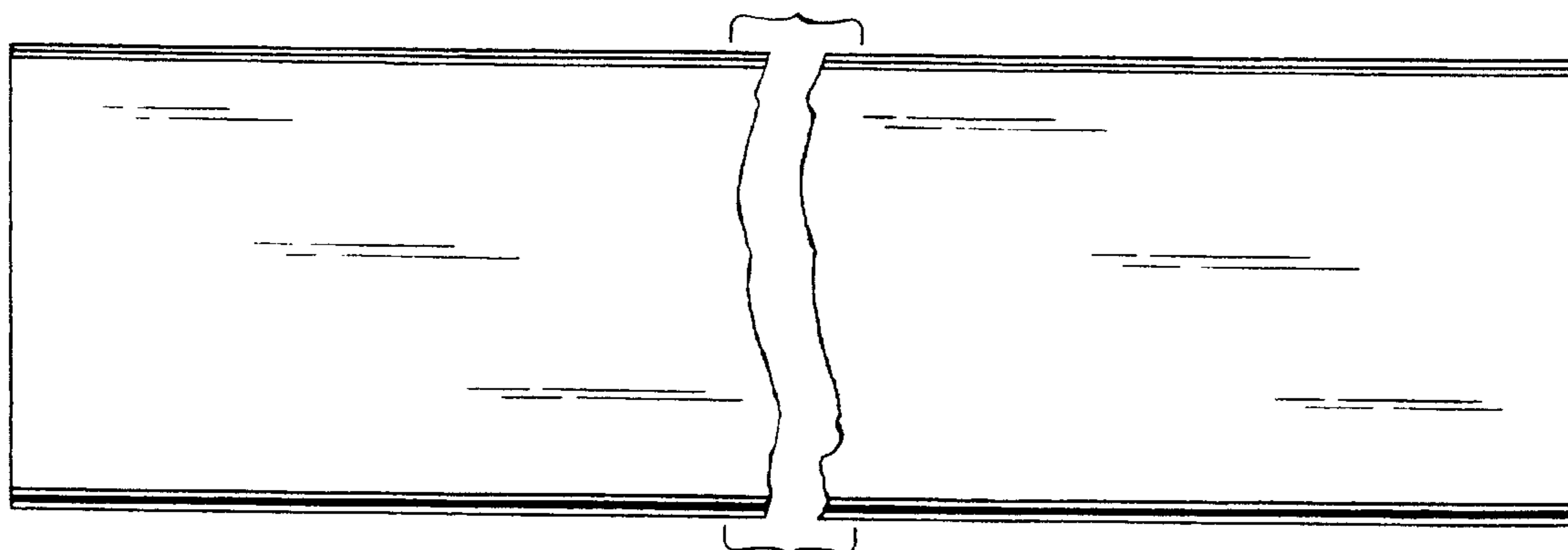


FIG. 4

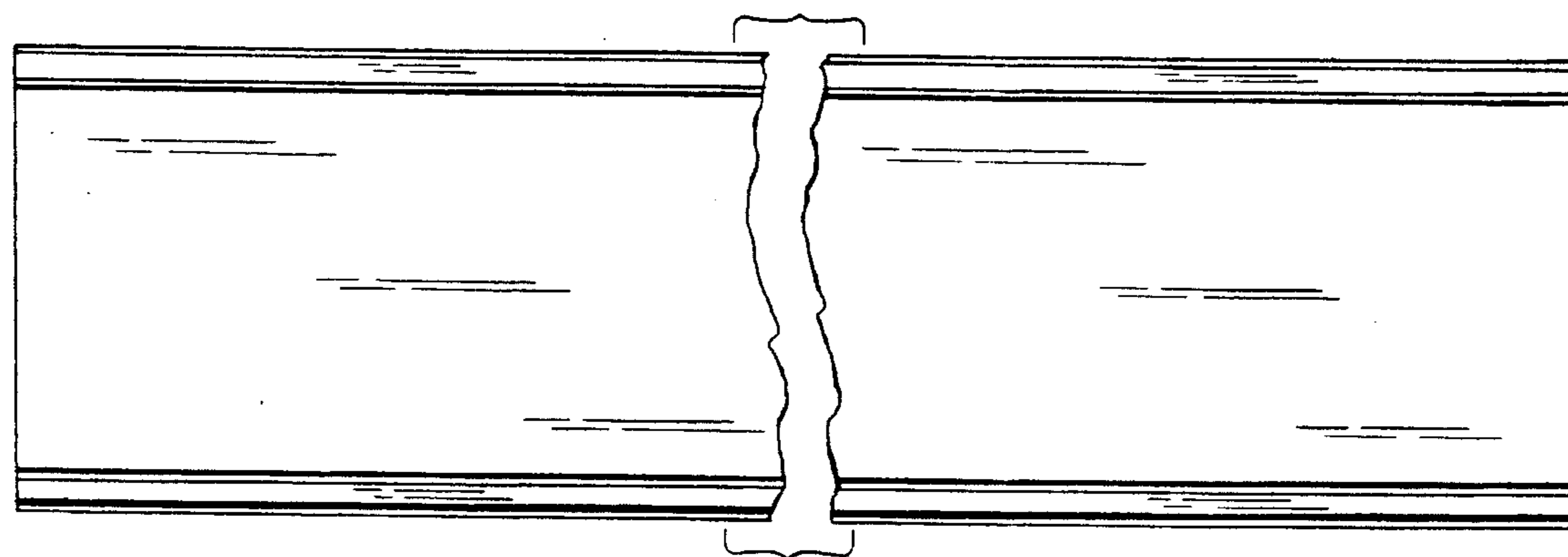


FIG. 5