



US00D371654S

United States Patent [19]

[11] Patent Number: **Des. 371,654**

WöRwag

[45] Date of Patent: ****Jul. 9, 1996**

[54] **VACUUM CLEANER**

D. 315,042 2/1991 Ikeda D32/22
D. 355,282 2/1995 Laurence et al. D32/22

[75] Inventor: **Peter WöRwag**, Romanshorn,
Switzerland

OTHER PUBLICATIONS

[73] Assignee: **Firma Fedag**, Romanshorn, Switzerland

Best Products Catalog, 1980-81, p. 291 "Upright Vacuum Cleaners on top half of page".

[**] Term: **14 Years**

Primary Examiner—Ruth McInroy
Attorney, Agent, or Firm—Robert W. Becker & Associates

[21] Appl. No.: **28,782**

[22] Filed: **Sep. 16, 1994**

[57] CLAIM

[30] Foreign Application Priority Data

The ornamental design for a vacuum cleaner, as shown and described.

Mar. 23, 1994 [DE] Germany M9402490.1

[52] **U.S. Cl.** **D32/22**

[58] **Field of Search** D32/21-22; 15/320,
15/321, 329, 335, 347, 350-353, 361, 323

DESCRIPTION

[56] References Cited

U.S. PATENT DOCUMENTS

D. 274,149 6/1984 Gibson D32/22
D. 296,487 6/1988 Burns et al. D32/22
D. 310,438 9/1990 Burns D32/22
D. 312,337 11/1990 Jones et al. D32/22
D. 313,293 12/1990 Hohulin et al. D32/22

FIG. 1 is a perspective view of a vacuum cleaner showing my new design;
FIG. 2 is a front view thereof;
FIG. 3 is a left side view thereof;
FIG. 4 is a right side view thereof;
FIG. 5 is a rear view thereof;
FIG. 6 is a top view thereof; and,
FIG. 7 is a bottom view thereof.

1 Claim, 5 Drawing Sheets

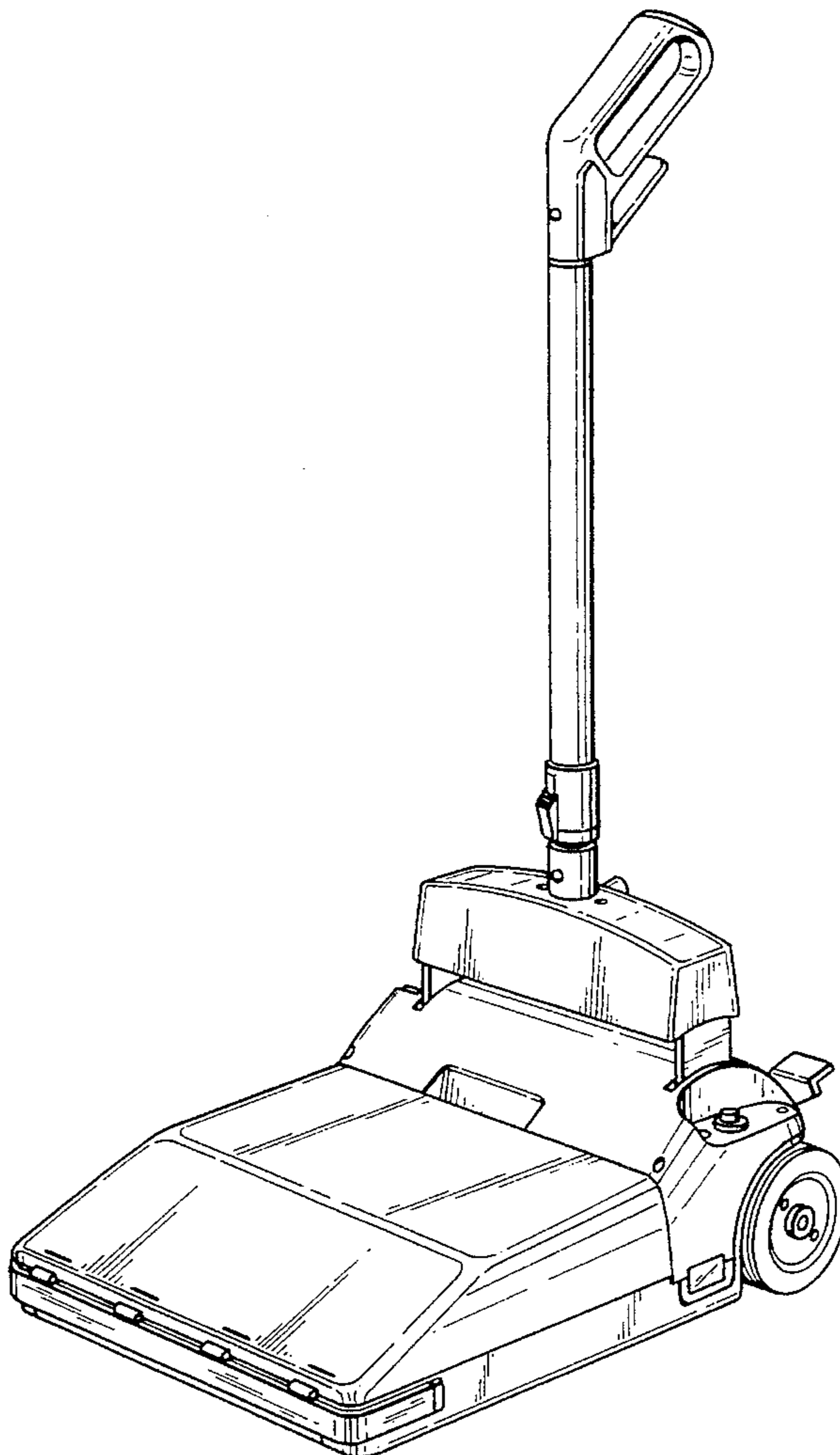
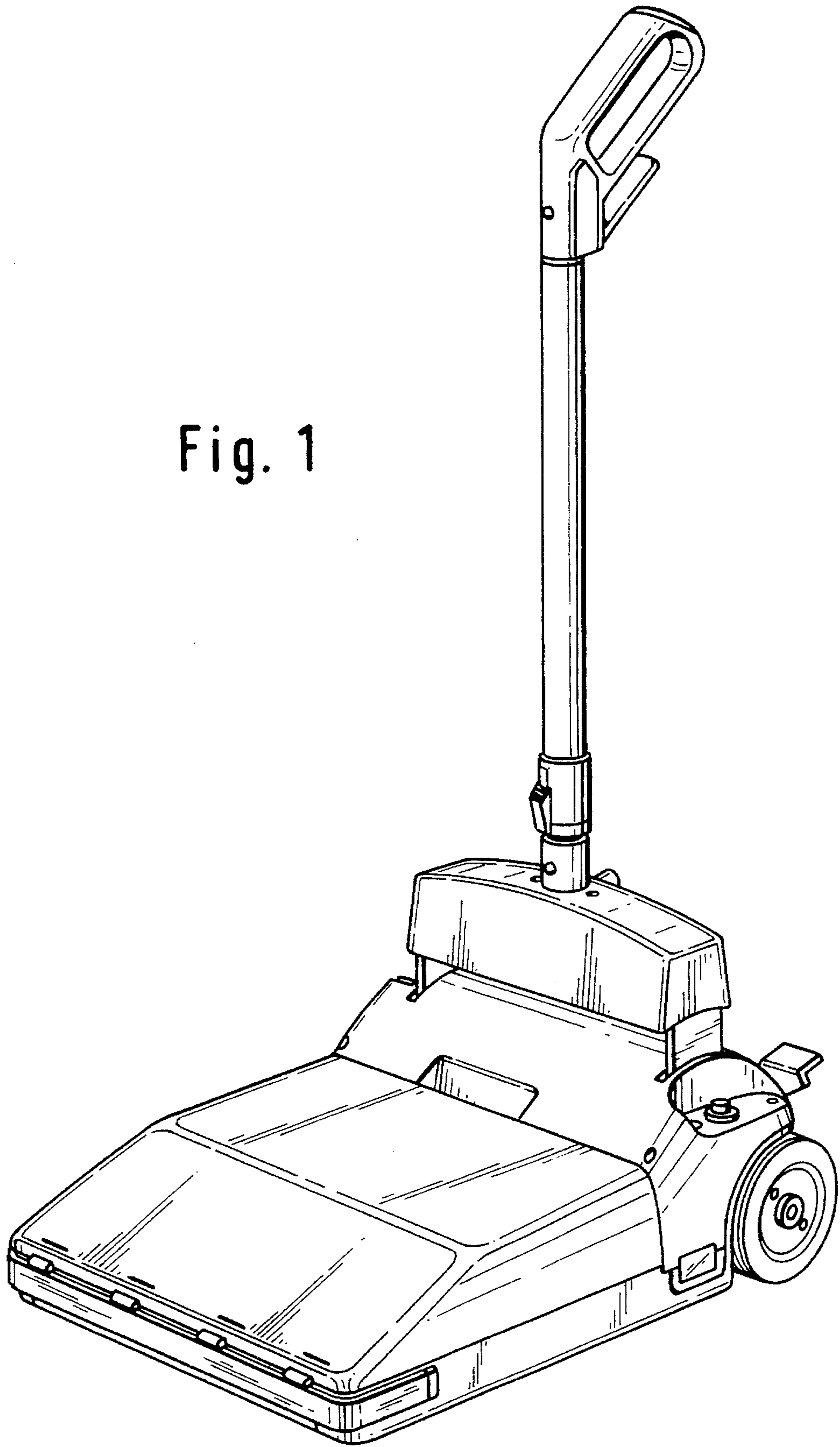


Fig. 1



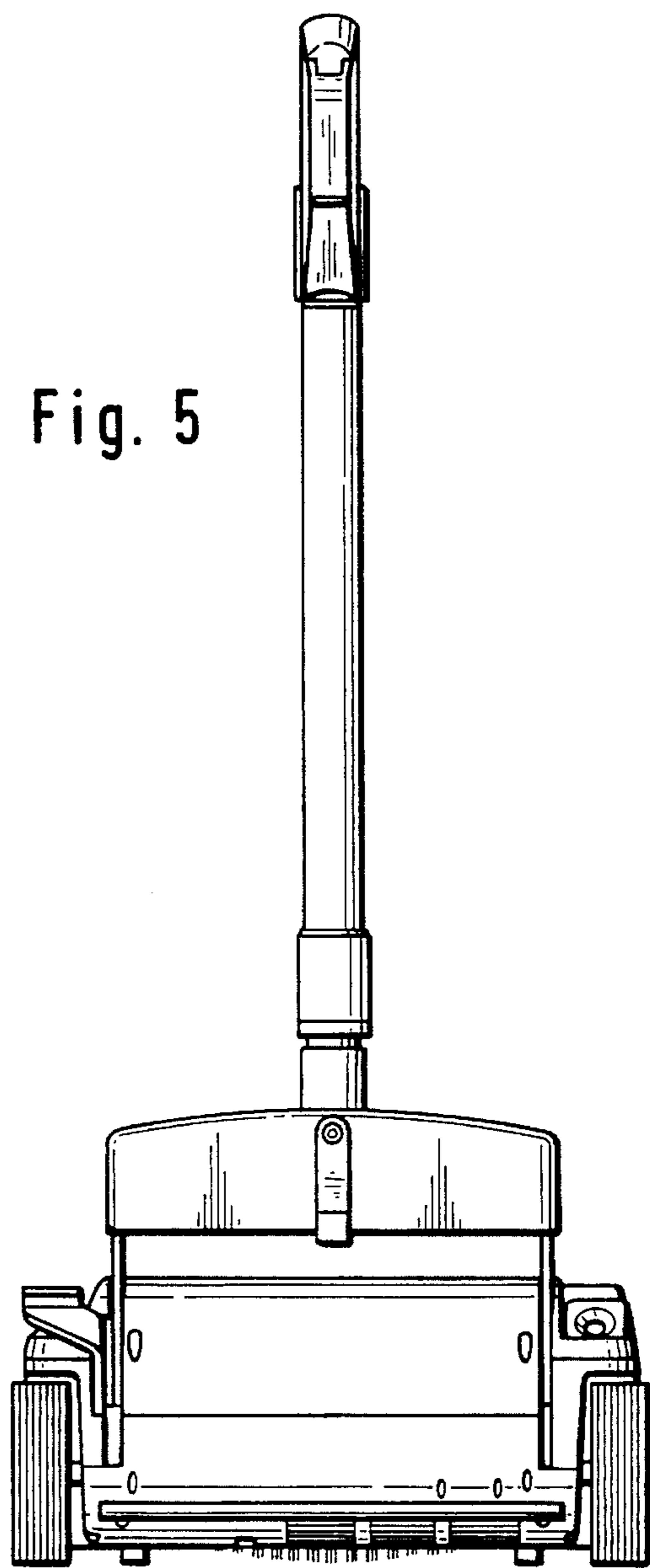
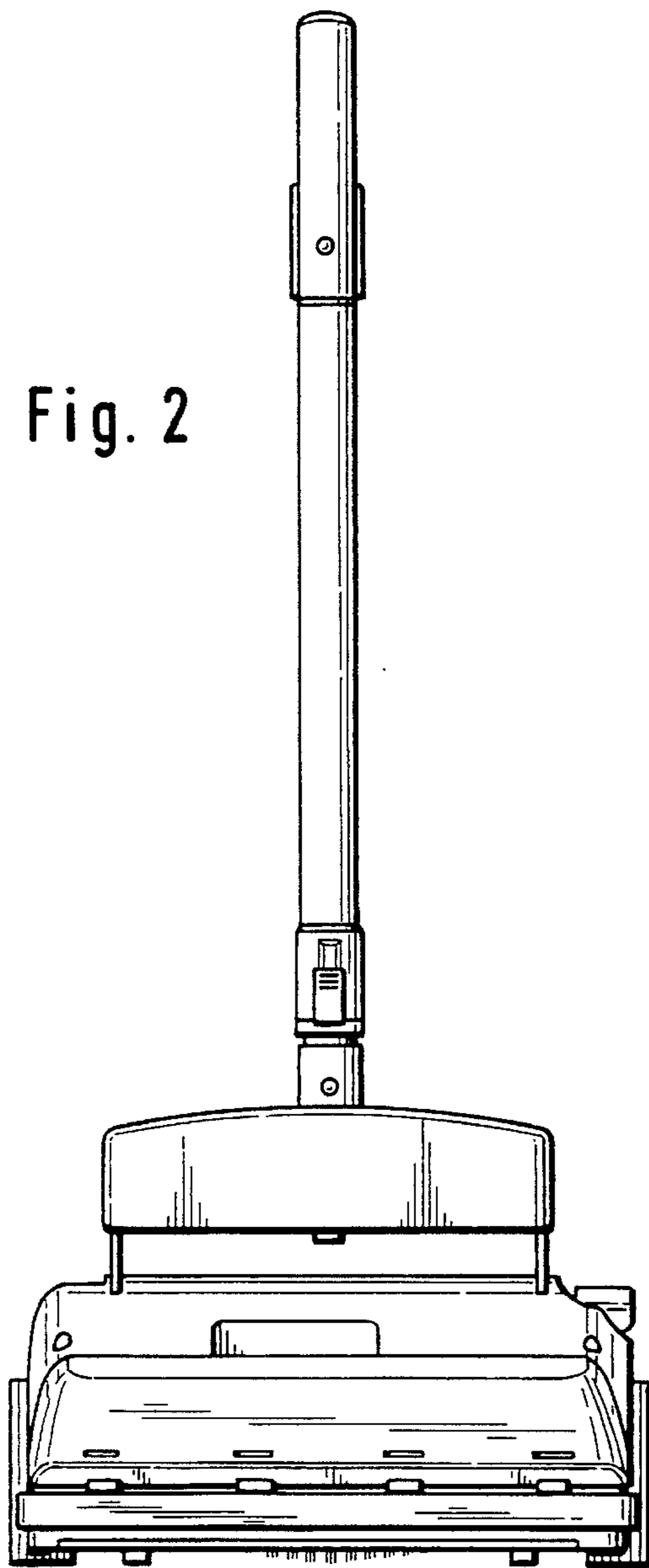
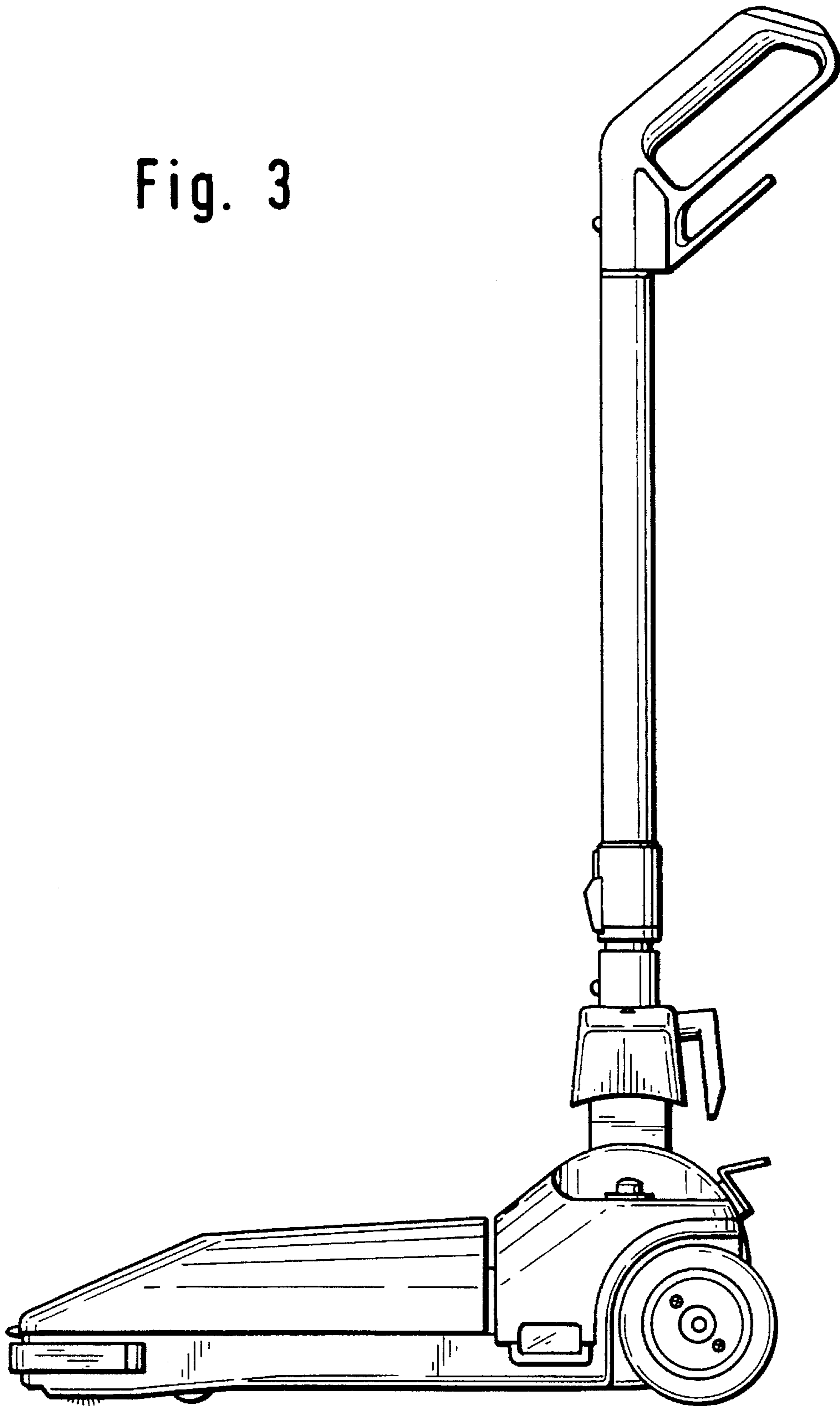


Fig. 3



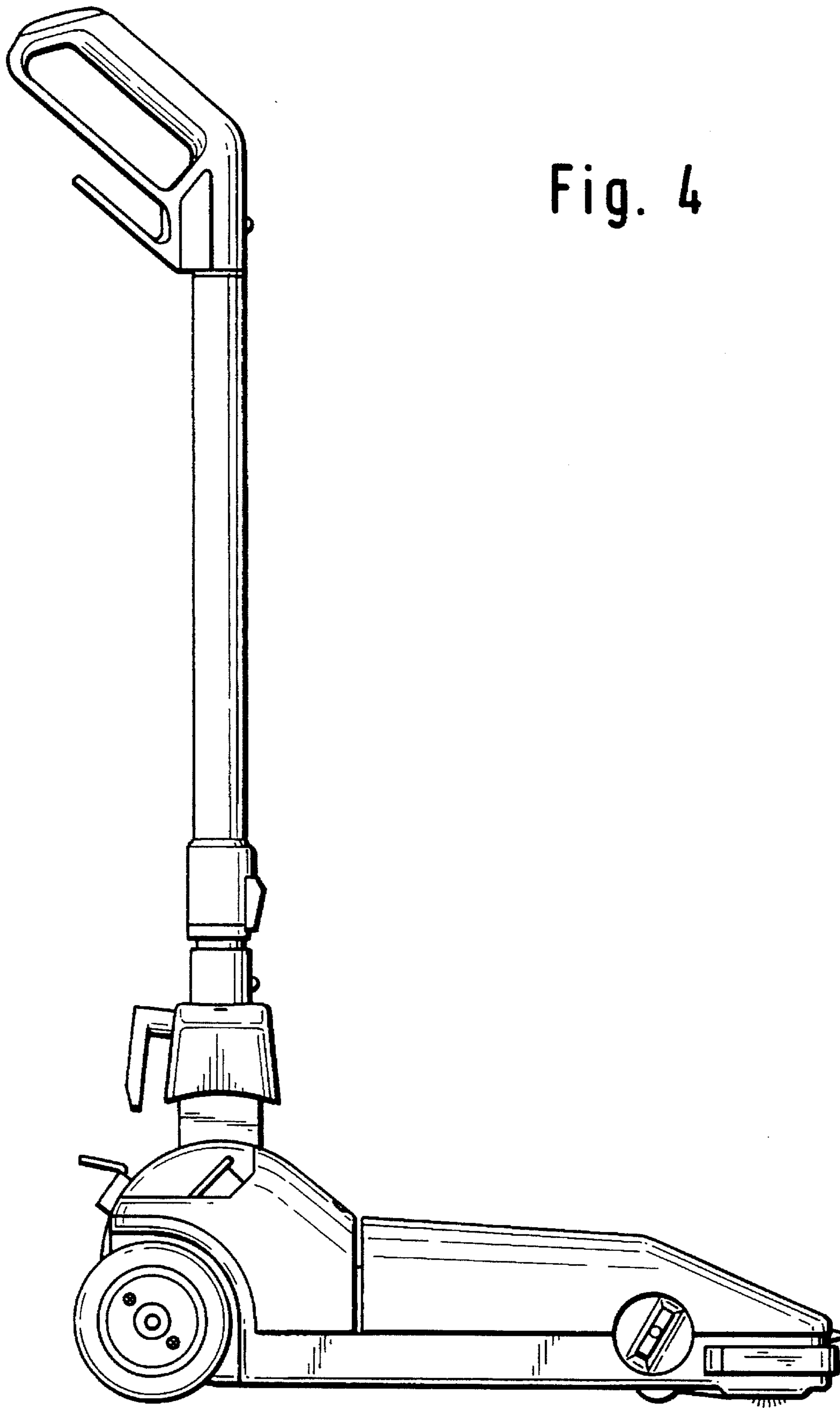


Fig. 4

Fig. 6

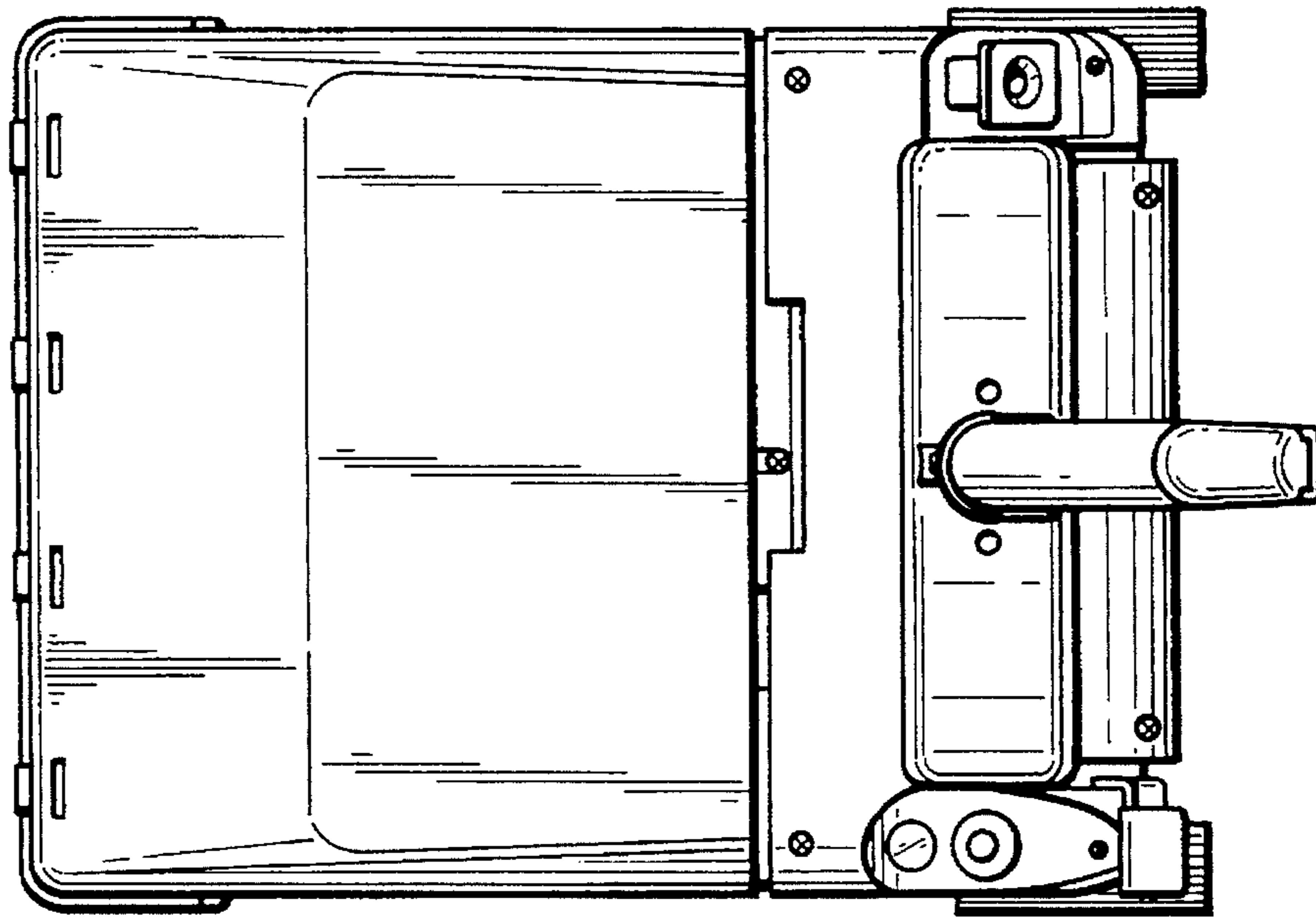


Fig. 7

