



US00D371652S

United States Patent [19]
Umbach

[11] **Patent Number: Des. 371,652**
[45] **Date of Patent: **Jul. 9, 1996**

[54] **VACUUM CLEANER**
[75] Inventor: **Steven Umbach**, East Grand Rapids,
Mich.
[73] Assignee: **Bissell Inc.**, Grand Rapids, Mich.
[**] Term: **14 Years**

D. 325,658 4/1992 Brewin D32/22
D. 327,145 6/1992 Kuriya .
D. 335,556 5/1993 Kuriya D32/22
D. 338,293 8/1993 Kojima et al. .
D. 339,433 9/1993 Stein et al. .
D. 347,500 5/1994 Abe et al. D32/22
D. 354,379 1/1995 Shinozaki D32/22
D. 354,593 1/1995 Koike D32/22

[21] Appl. No.: **18,742**
[22] Filed: **Feb. 14, 1994**
[52] **U.S. Cl.** **D32/22**
[58] **Field of Search** D32/21-22, 31-34;
15/320-321, 323, 328, 347, 350-353, 361,
335

Primary Examiner—Ruth McInroy
Attorney, Agent, or Firm—Varnum, Riddering, Schmidt &
Howlett

[57] **CLAIM**

The ornamental design for a vacuum cleaner, as shown and described.

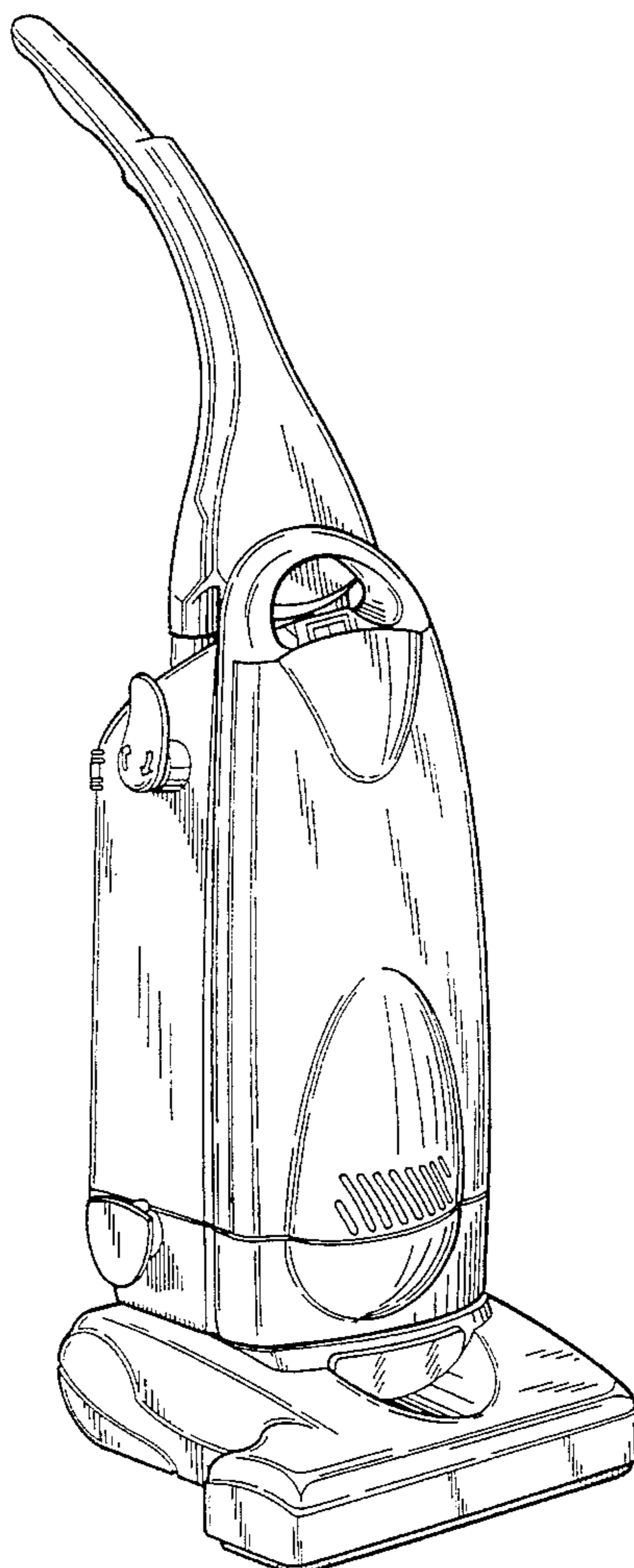
DESCRIPTION

FIG. 1 is a perspective view of a vacuum cleaner which showing my new design;
FIG. 2 is a front elevational view thereof;
FIG. 3 is a rear elevational view thereof;
FIG. 4 is a right side elevational view thereof;
FIG. 5 is a left side elevational view thereof;
FIG. 6 is a top plan view thereof; and,
FIG. 7 is a bottom plan view thereof.

[56] **References Cited**
U.S. PATENT DOCUMENTS

D. 307,658 5/1990 Ikeda et al. .
D. 310,438 9/1990 Burns .
D. 314,072 1/1991 Shinozaki et al. D32/22
D. 314,847 2/1991 Shouji et al. D32/22
D. 315,042 2/1991 Ikeda .
D. 316,167 4/1991 Petralia et al. .
D. 319,517 8/1991 Sovis et al. .
D. 325,453 4/1992 Tsuge .
D. 325,657 4/1992 Brewin D32/22

1 Claim, 5 Drawing Sheets



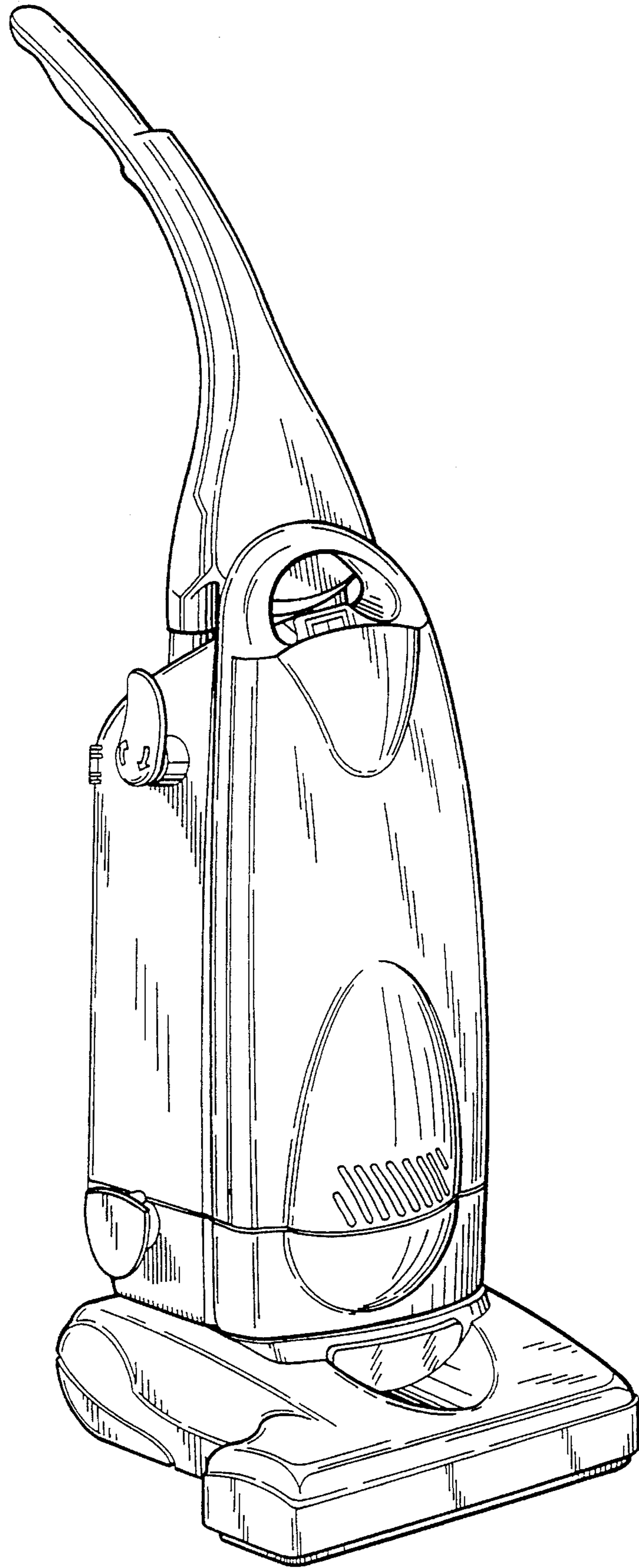


Fig. 1

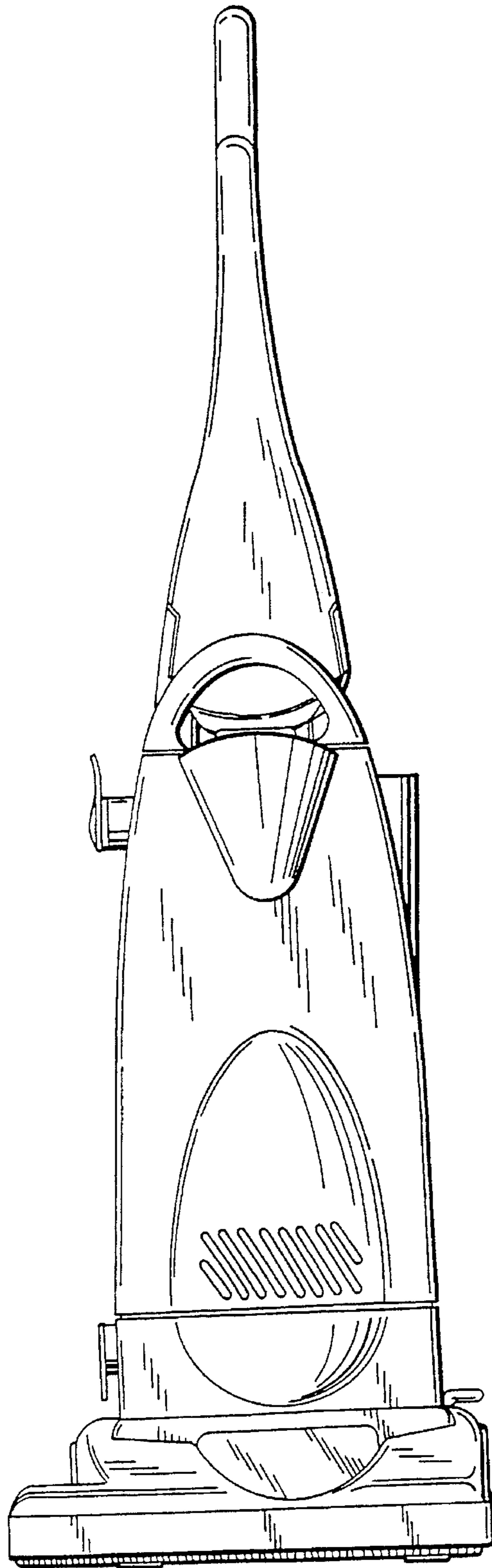


Fig. 2

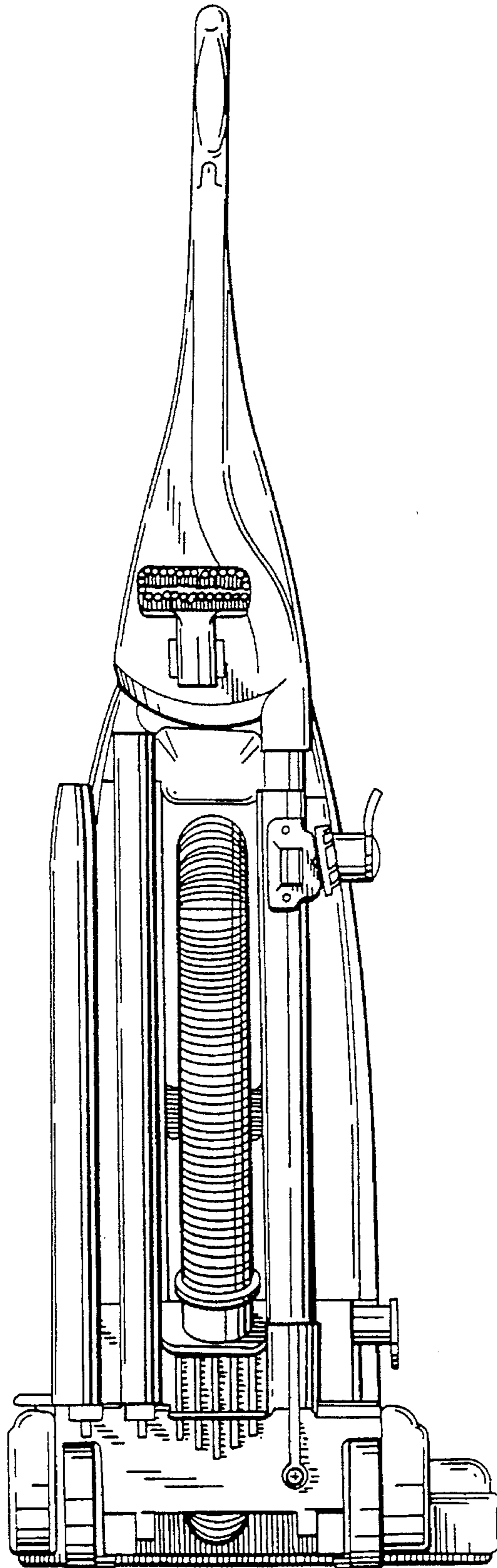


Fig. 3

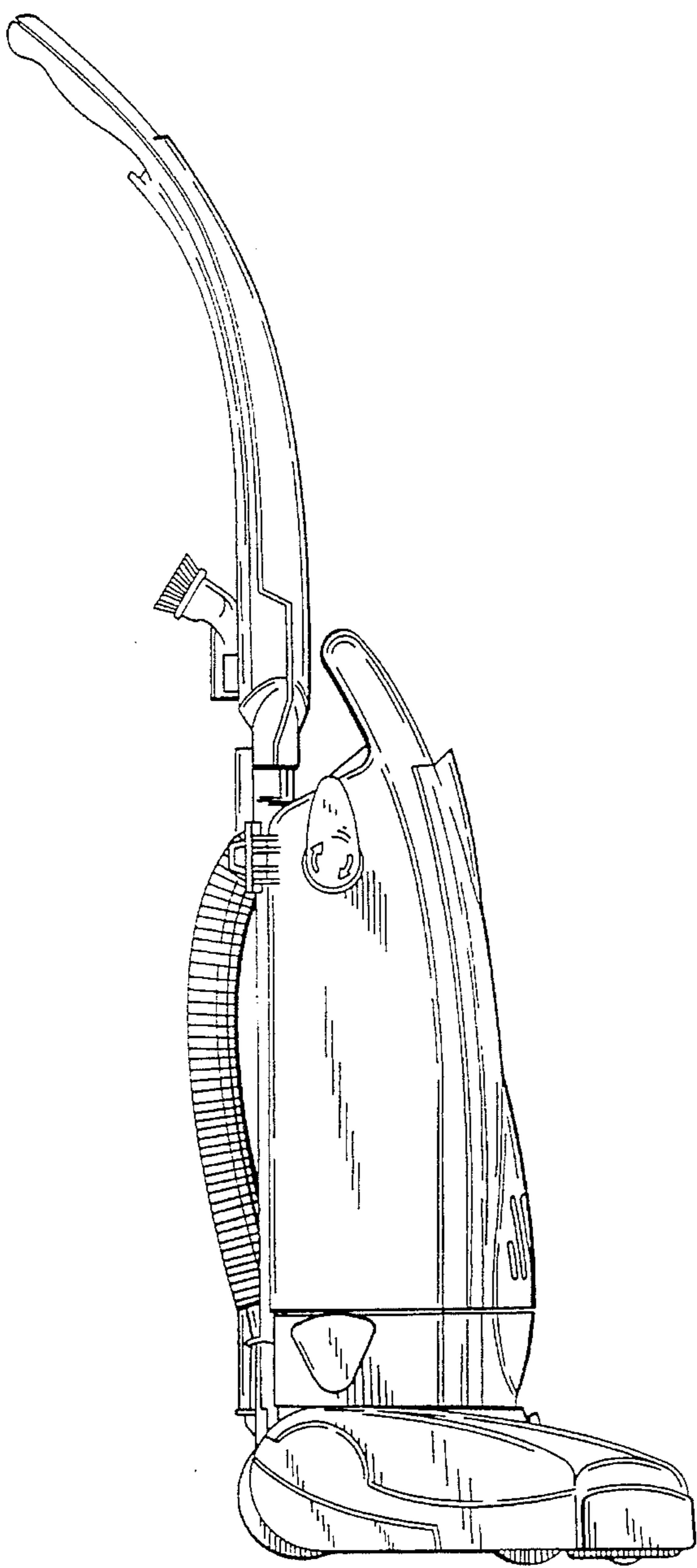


Fig. 4

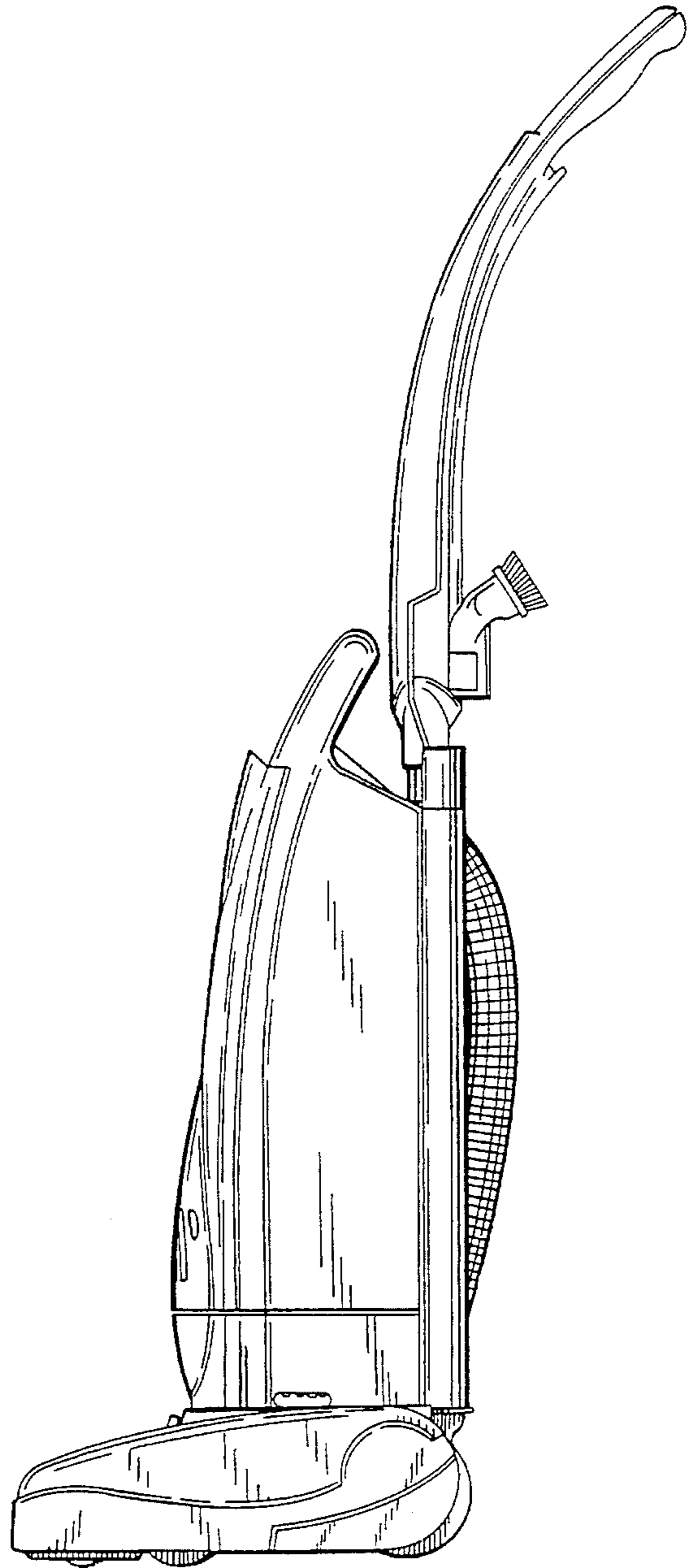


Fig. 5

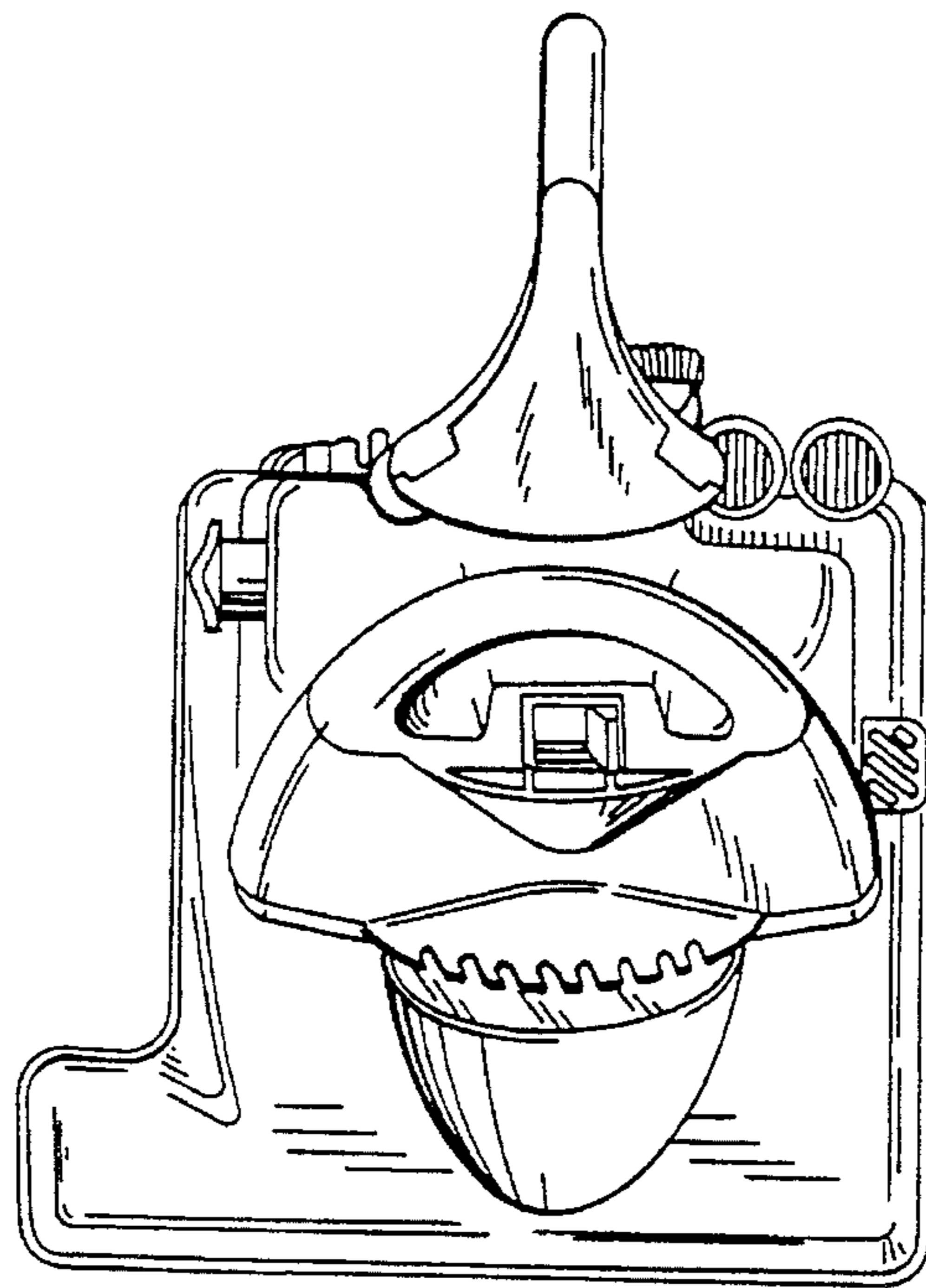


Fig. 6

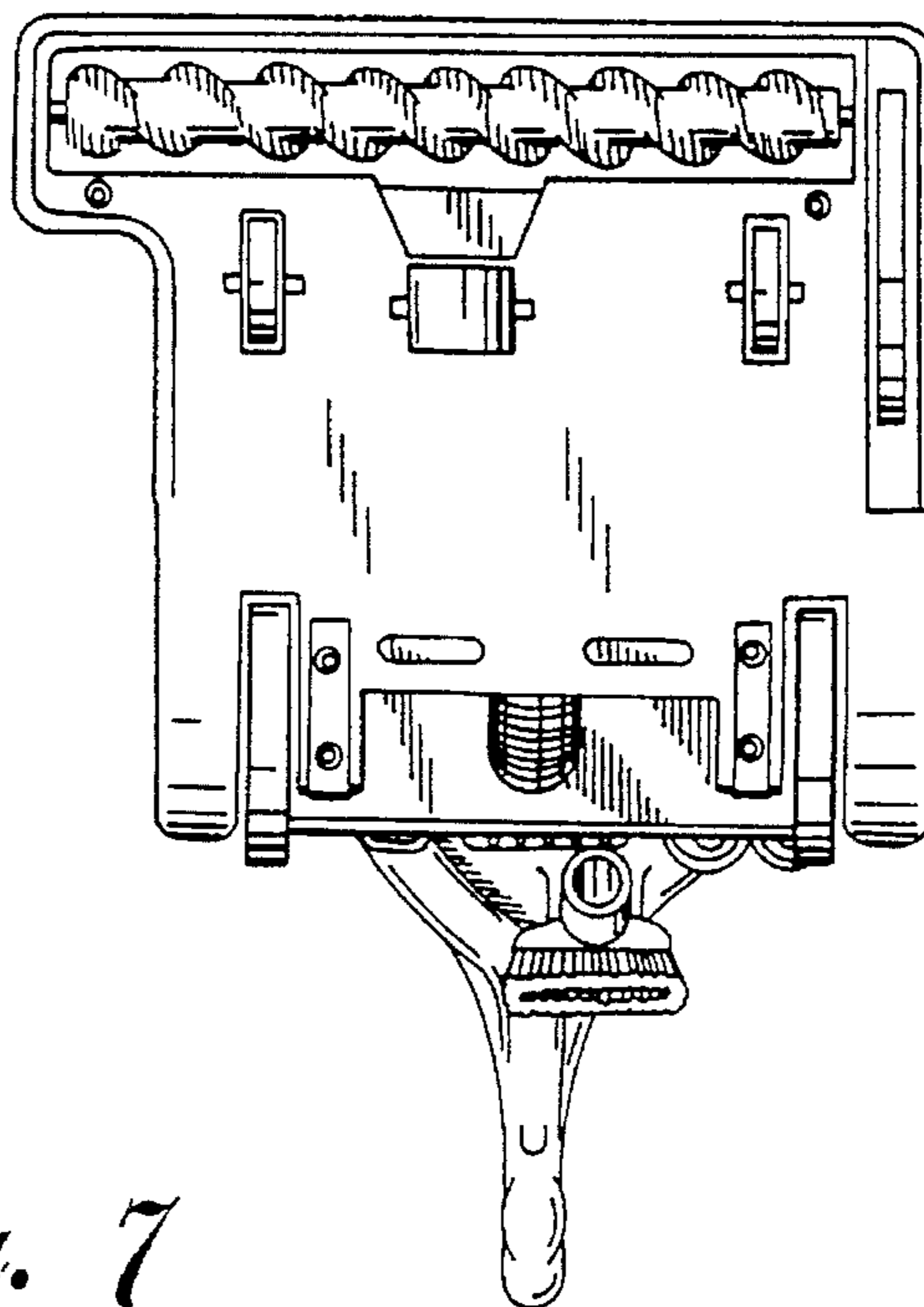


Fig. 7