



US00D371648S

# United States Patent [19]

[11] Patent Number: **Des. 371,648**

Zimmermann et al.

[45] Date of Patent: **\*\*Jul. 9, 1996**

## [54] WALLPAPER STRIPPER

[75] Inventors: **Guido Zimmermann; Klaus Buttenbender**, both of Friedrichshafen, Germany

[73] Assignee: **J. Wagner GmbH**, Friedrichshafen, Germany

[\*\*] Term: **14 Years**

[21] Appl. No.: **12,688**

[22] Filed: **Sep. 8, 1993**

## [30] Foreign Application Priority Data

Mar. 23, 1993 [DE] Germany ..... M9302413.4

[52] U.S. Cl. .... **D32/15**

[58] Field of Search ..... D32/1, 15, 16, D32/17; 15/332, 321; 134/198; 392/404, 384; 219/227, 245, 258; 126/271.1, 226; 38/77.6; 34/90, 91, 202; 156/584; 119/86

## [56] References Cited

### U.S. PATENT DOCUMENTS

D. 276,472	11/1984	Harrison	.....	D32/1
D. 338,989	8/1993	Ambrosiano	.....	D32/15
D. 341,450	11/1993	Tinius	.....	D32/15
1,428,442	9/1922	Lancaster	.....	126/271.1
2,478,370	8/1949	Clark	.....	126/271.1
2,483,993	10/1949	Becker	.....	392/403 X
2,561,443	7/1951	March	.....	392/404
2,726,314	12/1955	Prain	.....	126/271.1
2,849,736	9/1958	Kohle	.....	392/404 X
3,436,852	4/1969	Stansbury	.....	38/77.6
3,559,886	2/1971	Howard	.....	126/271.1 X
3,695,066	10/1972	Doyel	.....	D32/17
4,366,367	12/1982	Mazzuco	.....	392/404 X
4,810,855	3/1989	Dassi et al.	.....	392/384
4,857,703	8/1989	Wilkins	.....	392/404
5,208,895	5/1993	Hoover	.....	392/404
5,294,284	3/1994	Papulski	.....	219/245
5,305,415	4/1994	Stevens	.....	392/325 X

### FOREIGN PATENT DOCUMENTS

885053 11/1971 Canada ..... 216/219

0332445	9/1989	European Pat. Off.	.....	219/437
1117228	11/1961	Germany	.....	392/404
2551732	5/1976	Germany	.....	156/584
155702	7/1963	U.S.S.R.	.....	119/86

## OTHER PUBLICATIONS

Woodward & Lothrop Catalog; May 4, 1986; p. 18; 19D. Rawenta Steambrush.

Primary Examiner—Cathy Anne MacCormac  
Attorney, Agent, or Firm—Hill, Steadman & Simpson

## [57] CLAIM

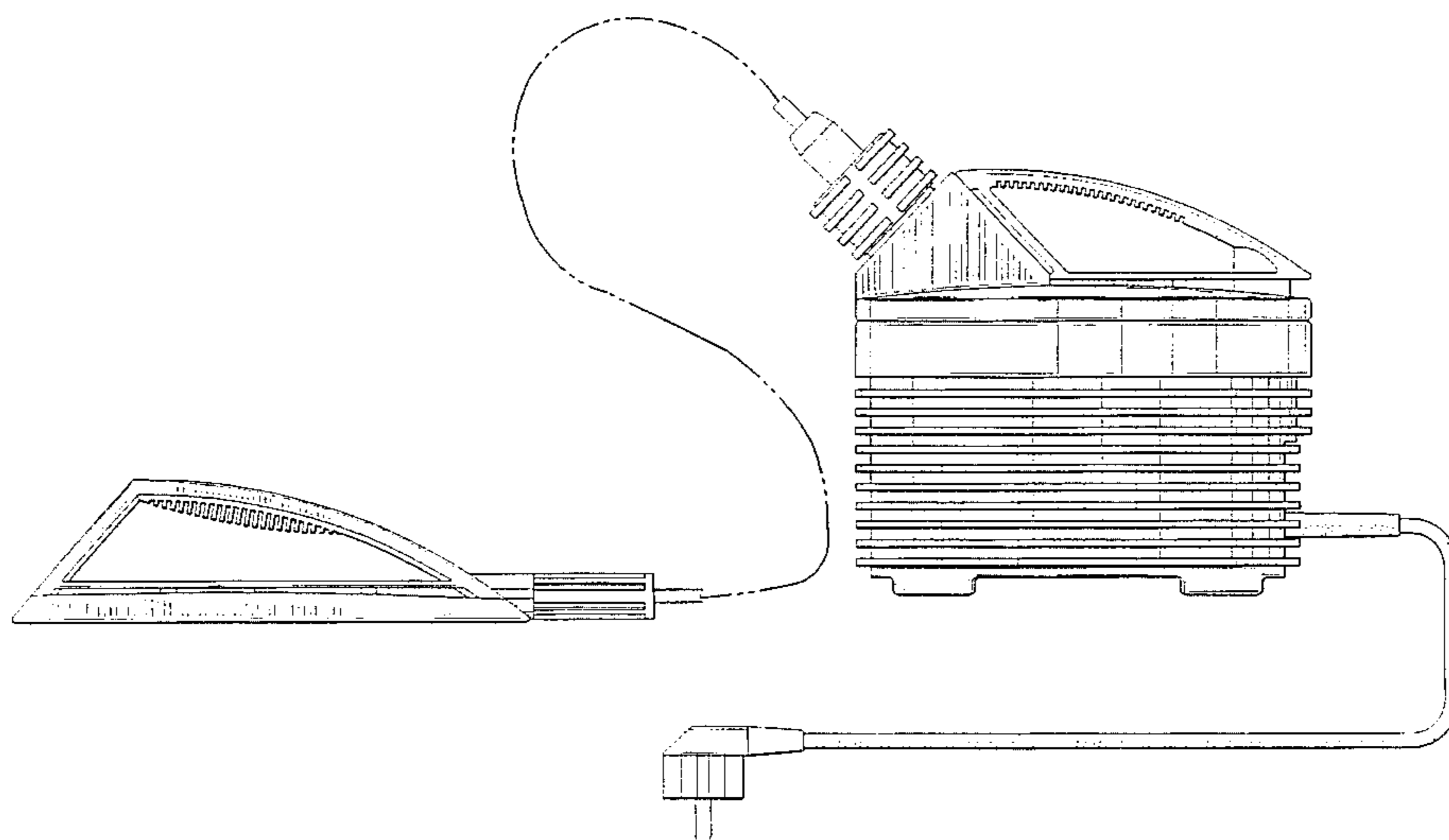
The ornamental design for a wallpaper stripper, as shown and described.

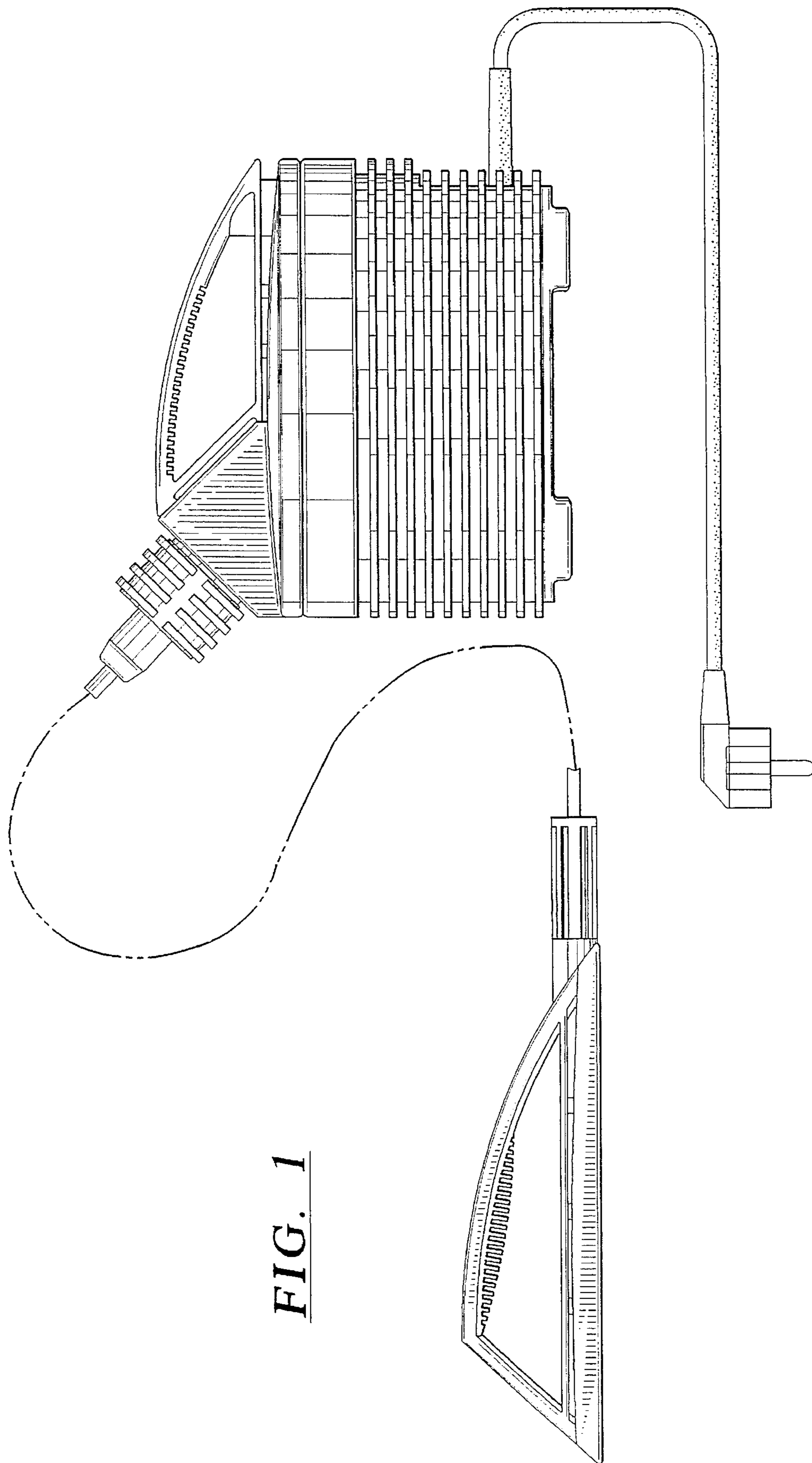
## DESCRIPTION

FIG. 1 is a reduced front elevational view of a wallpaper stripper showing our new design;  
 FIG. 2 is a front elevational view of the steam generator in FIG. 1;  
 FIG. 3 is a rear elevational view of the steam generator;  
 FIG. 4 is a left side elevational view of the steam generator;  
 FIG. 5 is a right side elevational view of the steam generator;  
 FIG. 6 is a top plan view of the steam generator;  
 FIG. 7 is a bottom plan view of the steam generator;  
 FIG. 8 is a left side elevational view of the steam plate in FIG. 1;  
 FIG. 9 is a right side elevational view of the steam plate;  
 FIG. 10 is a top plan view of the steam plate;  
 FIG. 11 is a bottom plan view of the steam plate;  
 FIG. 12 is an enlarged front elevational view of the steam hose in FIG. 1, the rear, top and bottom being identical to the front view shown;  
 FIG. 13 is a right end elevational view of FIG. 12;  
 FIG. 14 is a left end elevational view of FIG. 12;  
 FIG. 15 is a right elevational view of the steam hose of FIG. 14; and,  
 FIG. 16 is a left elevational view of the steam hose of FIG. 14.

A portion of the electrical cord is shown removed from FIGS. 2, 3, 4, 5, 6 and 7 and the steam hose is shown broken away in FIG. 12 for convenience of illustration.

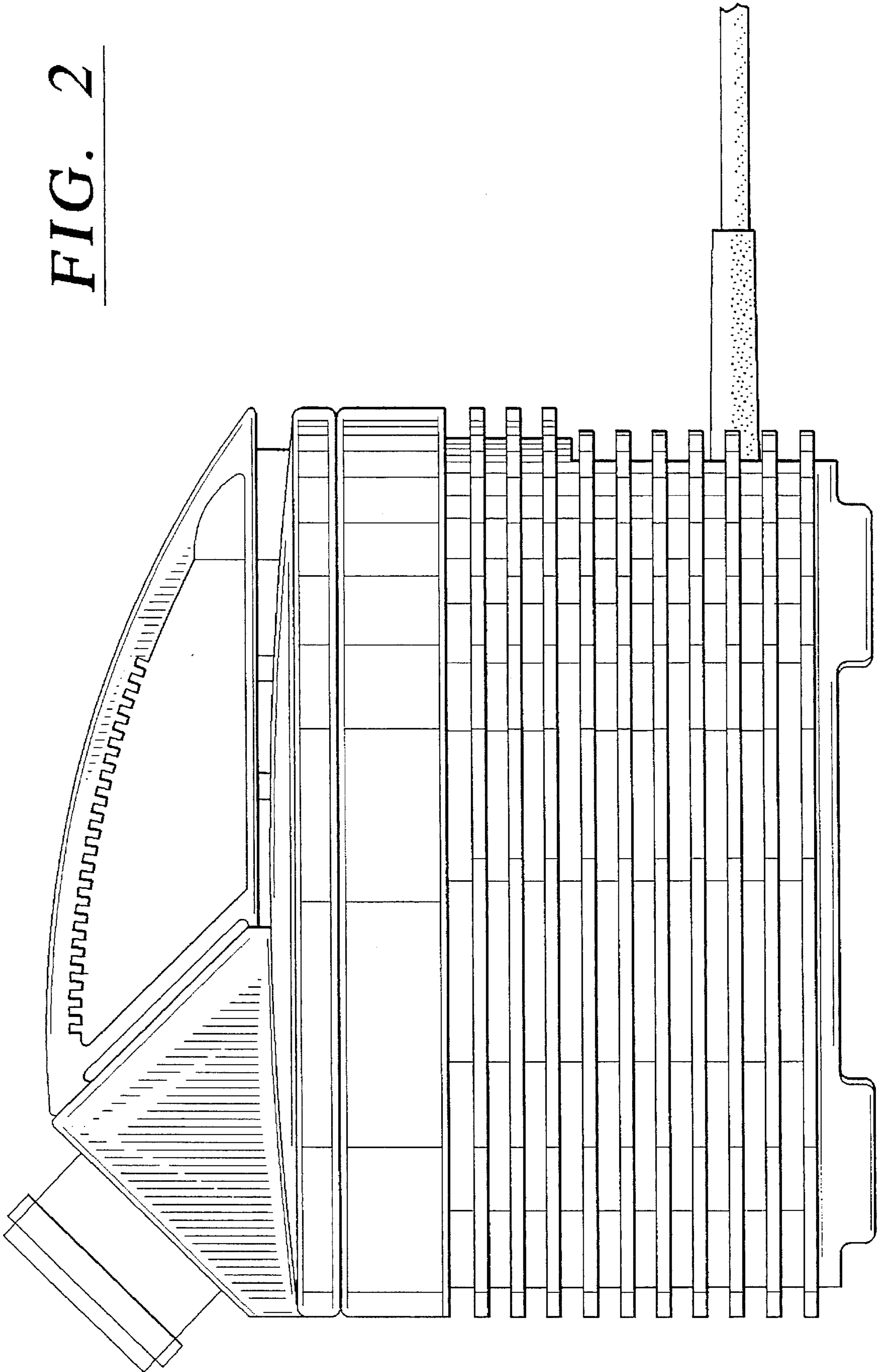
**1 Claim, 12 Drawing Sheets**





**FIG. 1**

FIG. 2



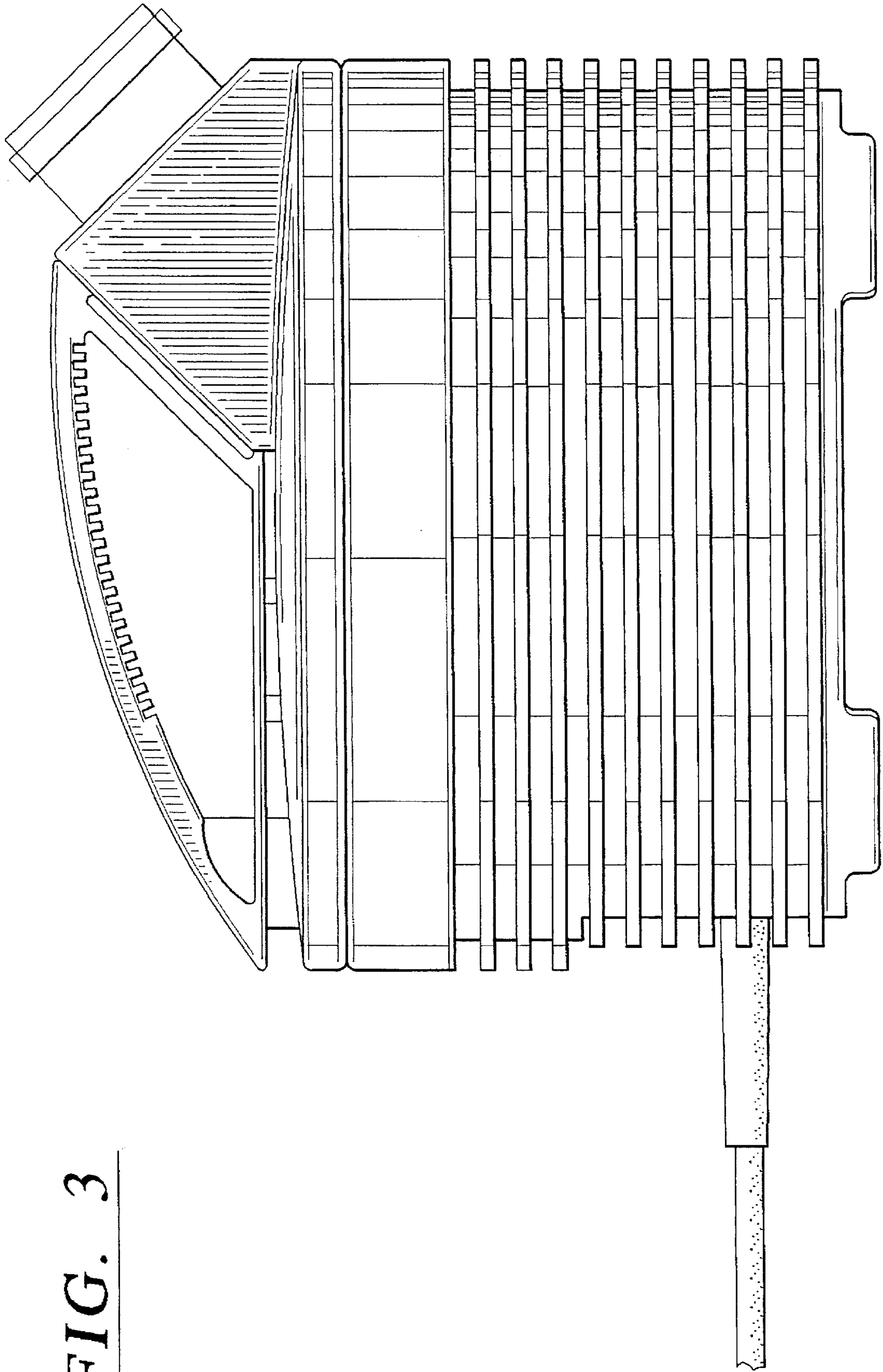


FIG. 3

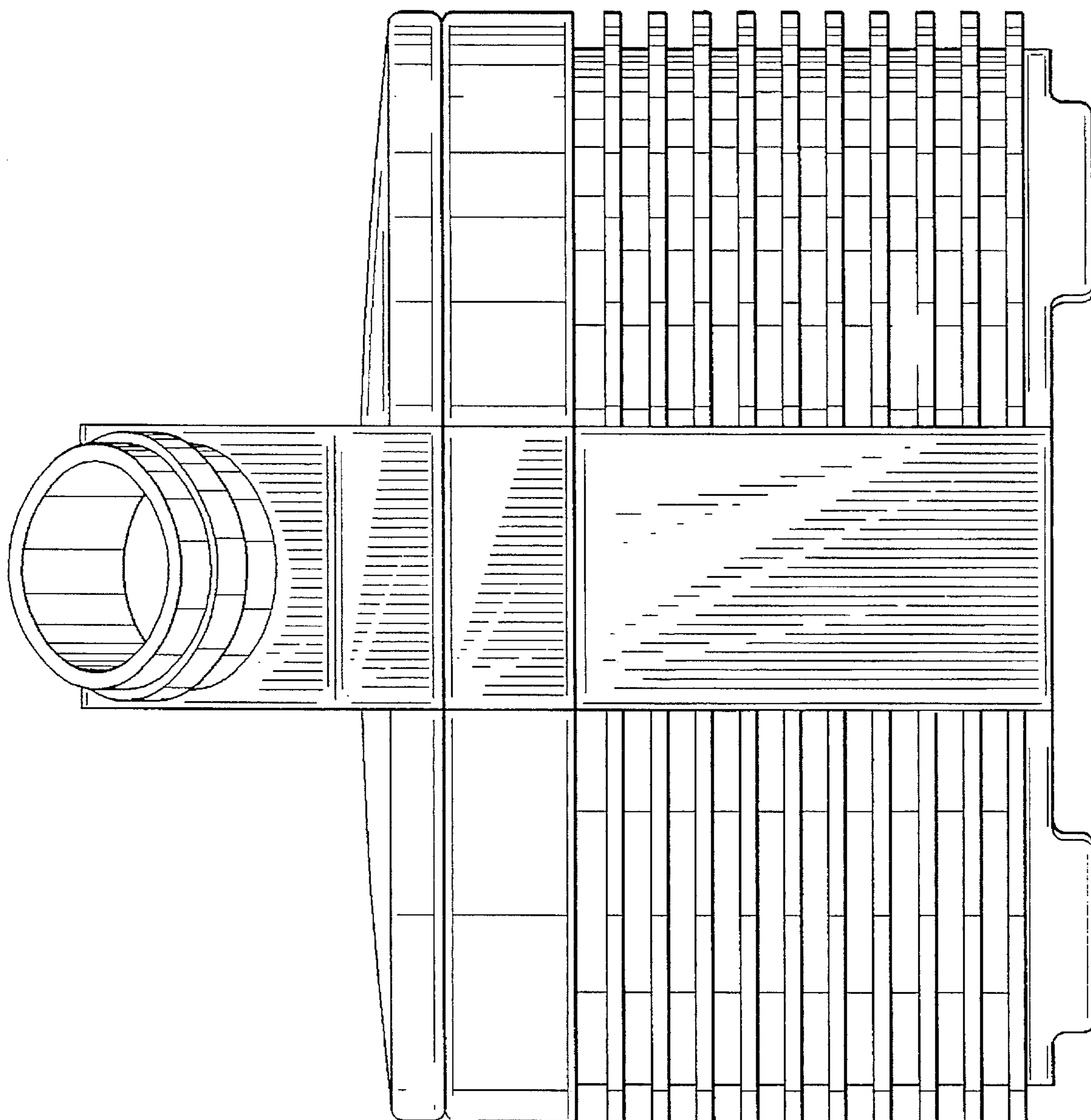


FIG. 4

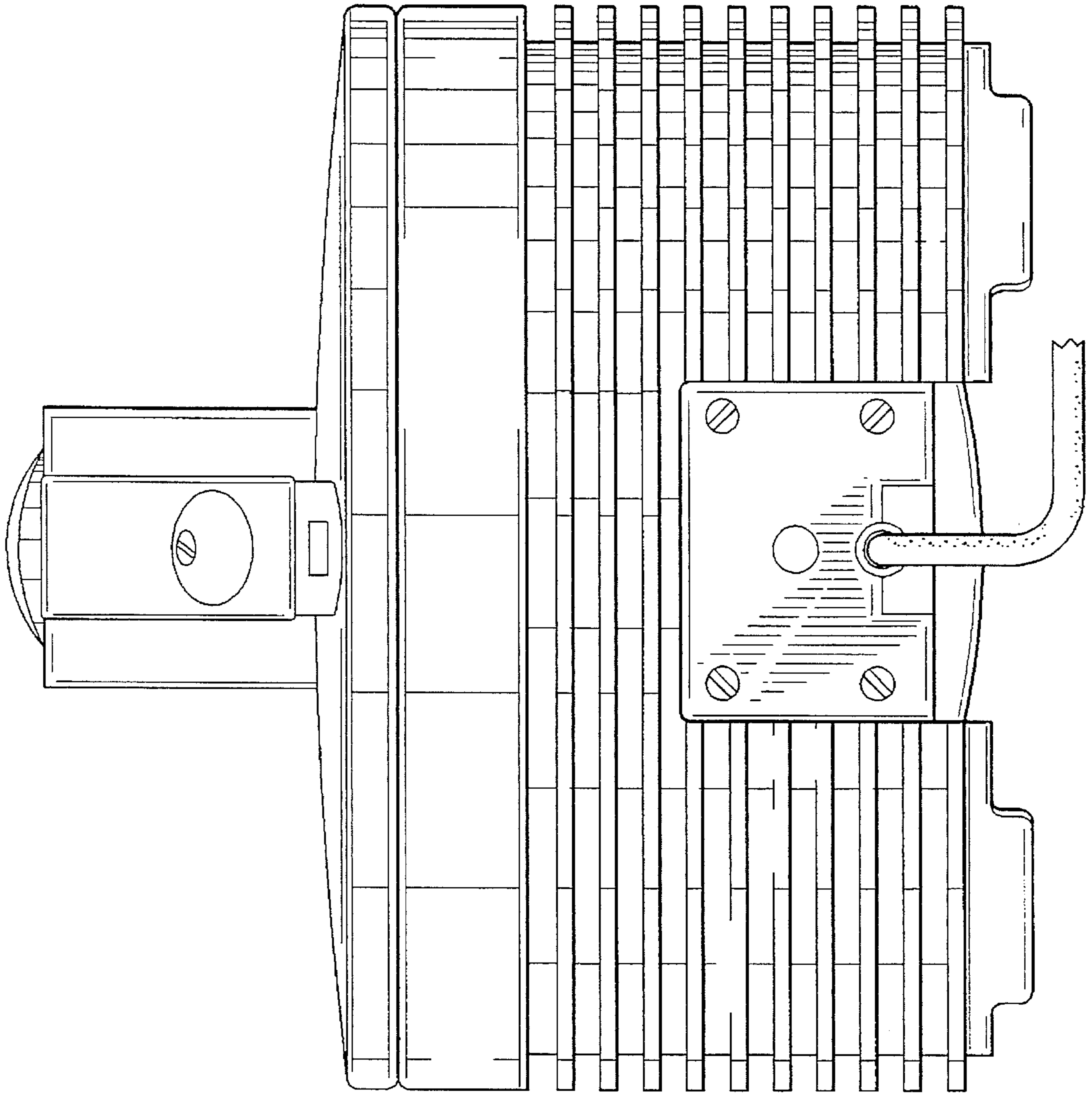


FIG. 5

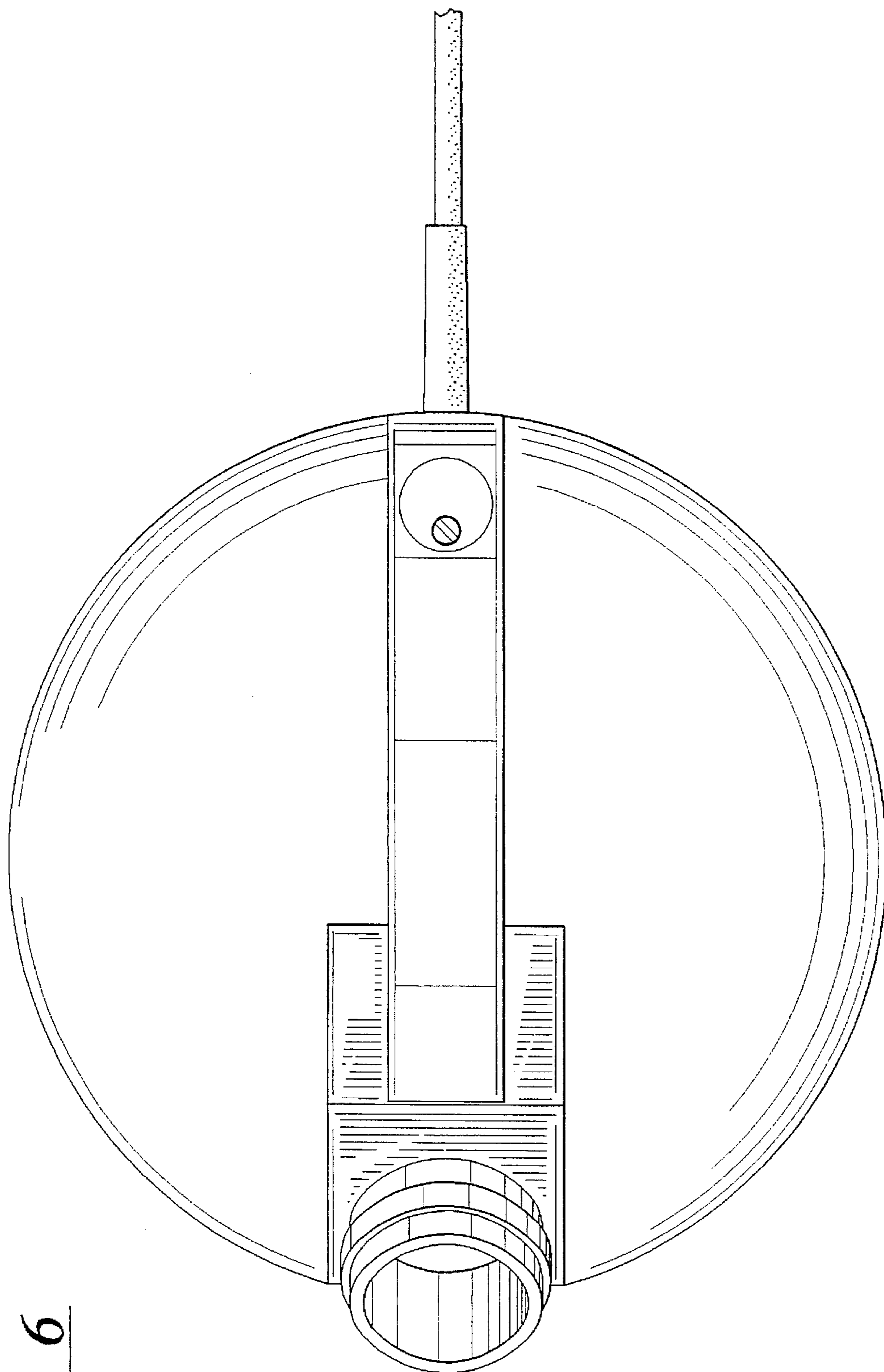


FIG. 6

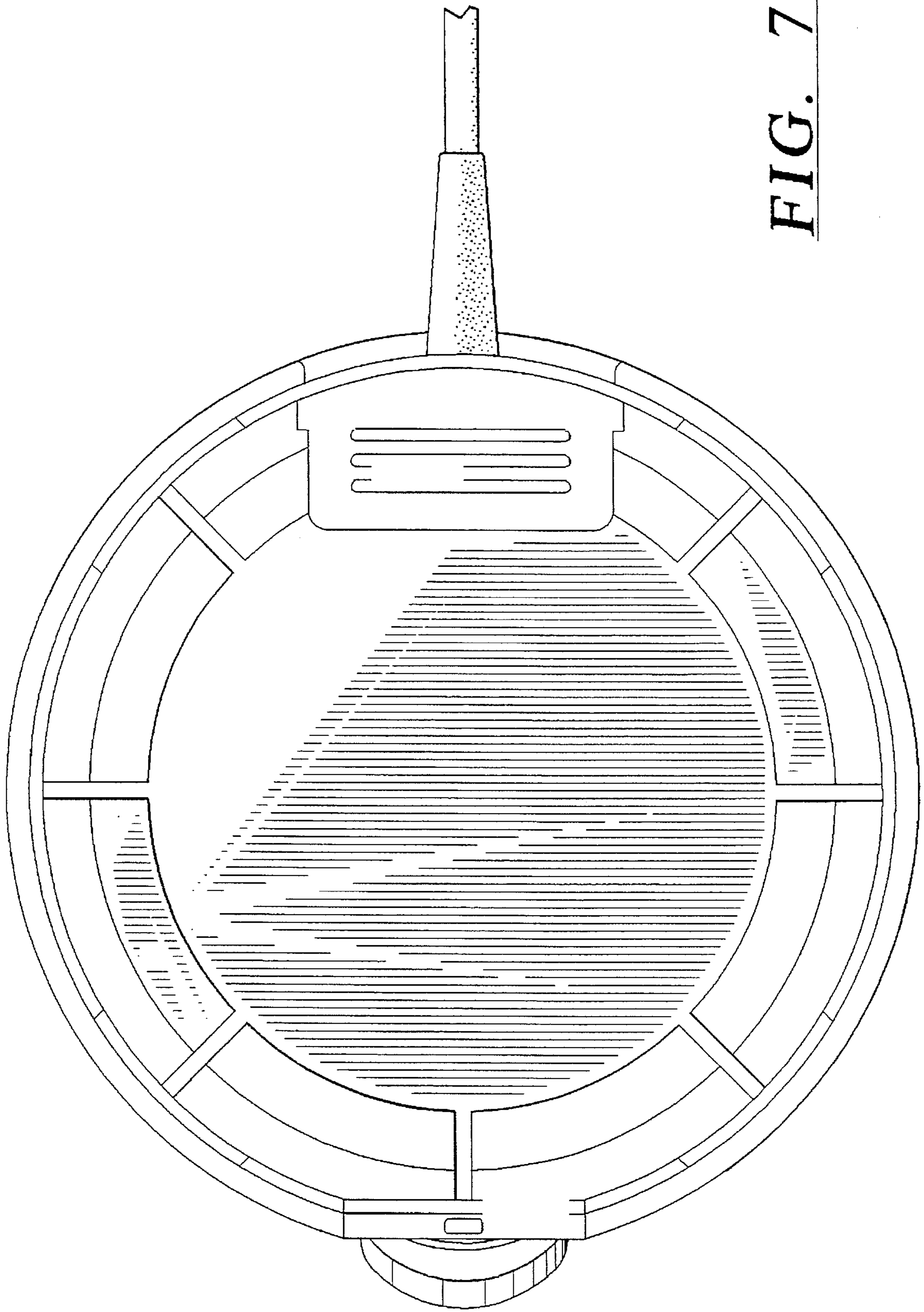


FIG. 7



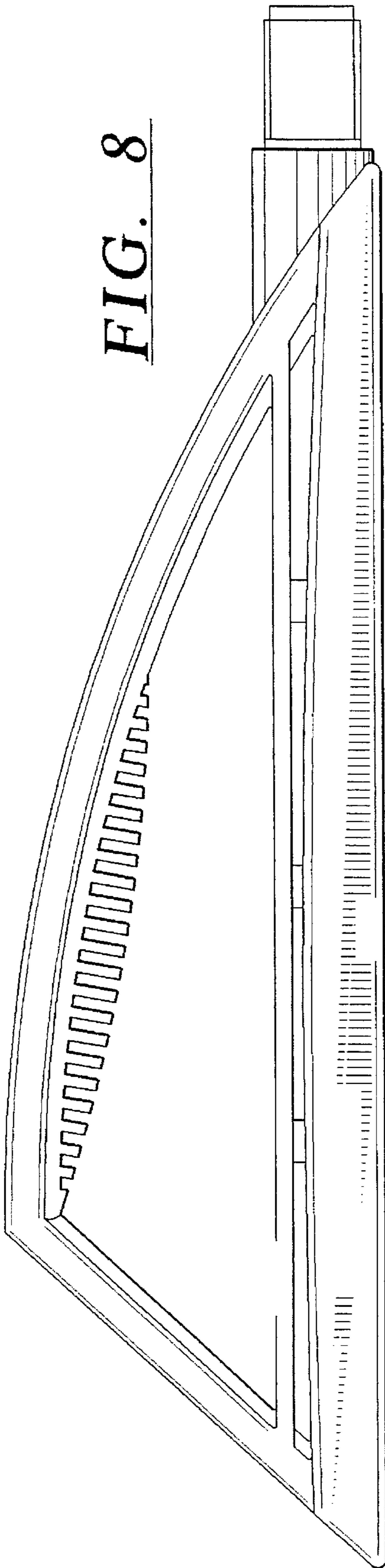


FIG. 8

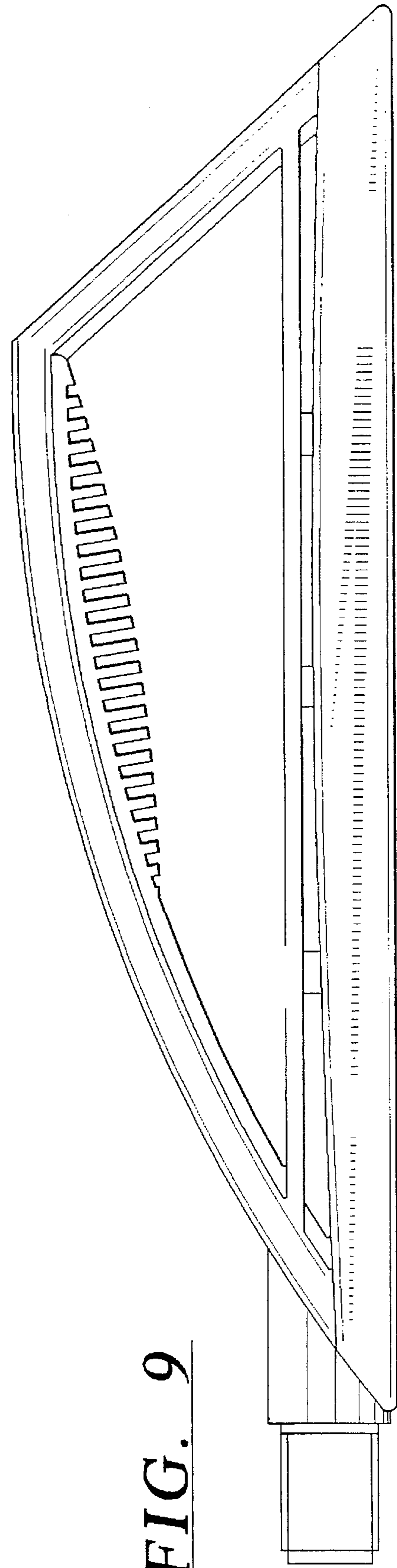
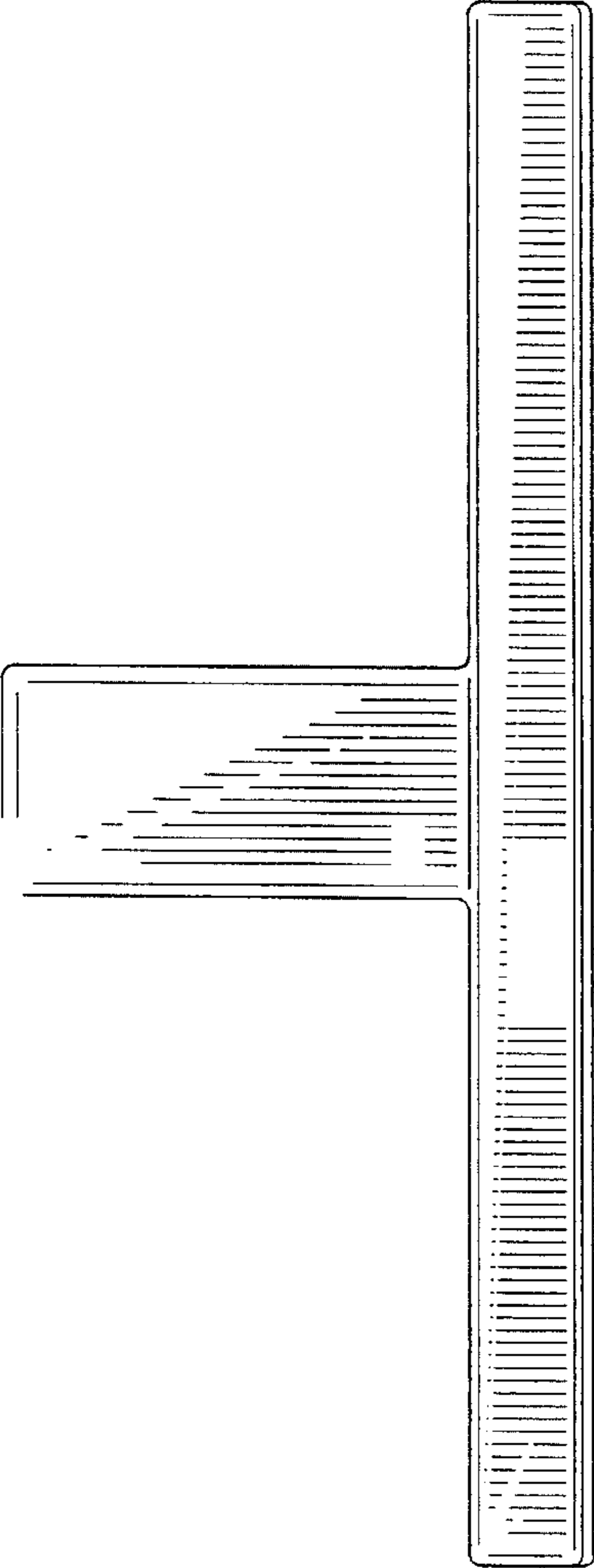
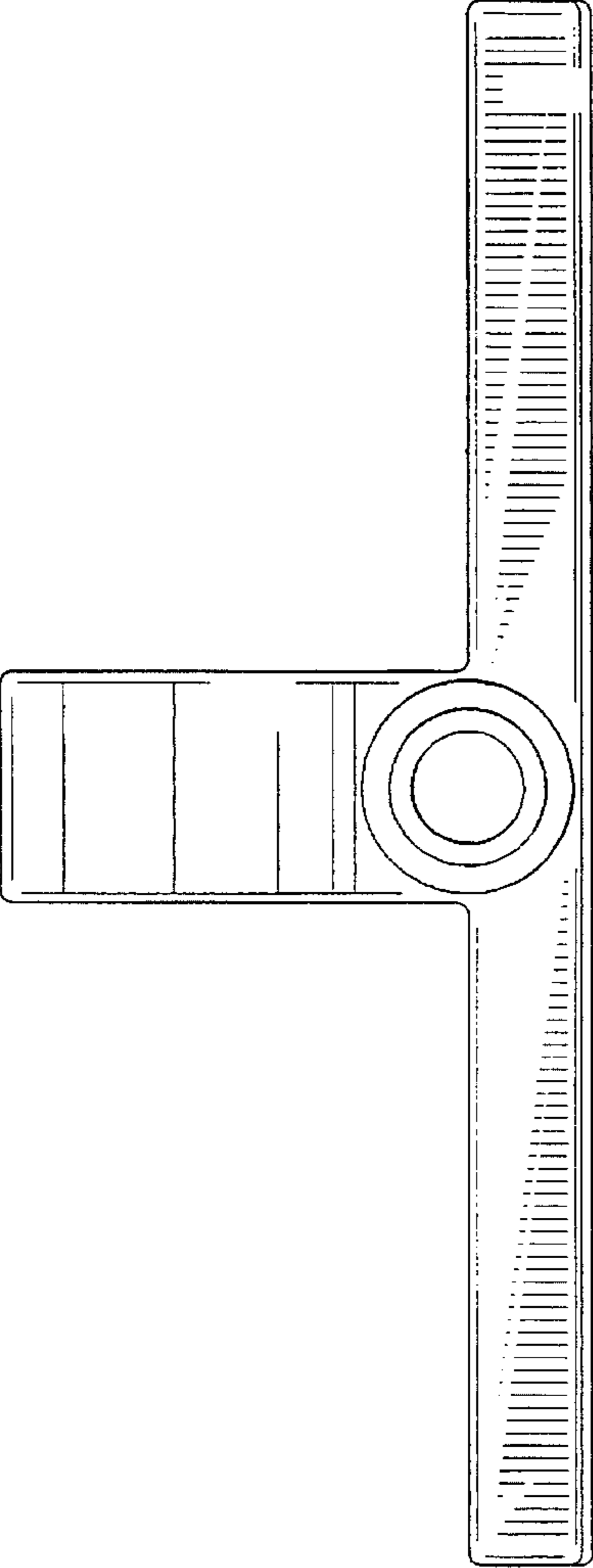


FIG. 9



*FIG. 10*



*FIG. 11*

FIG. 12

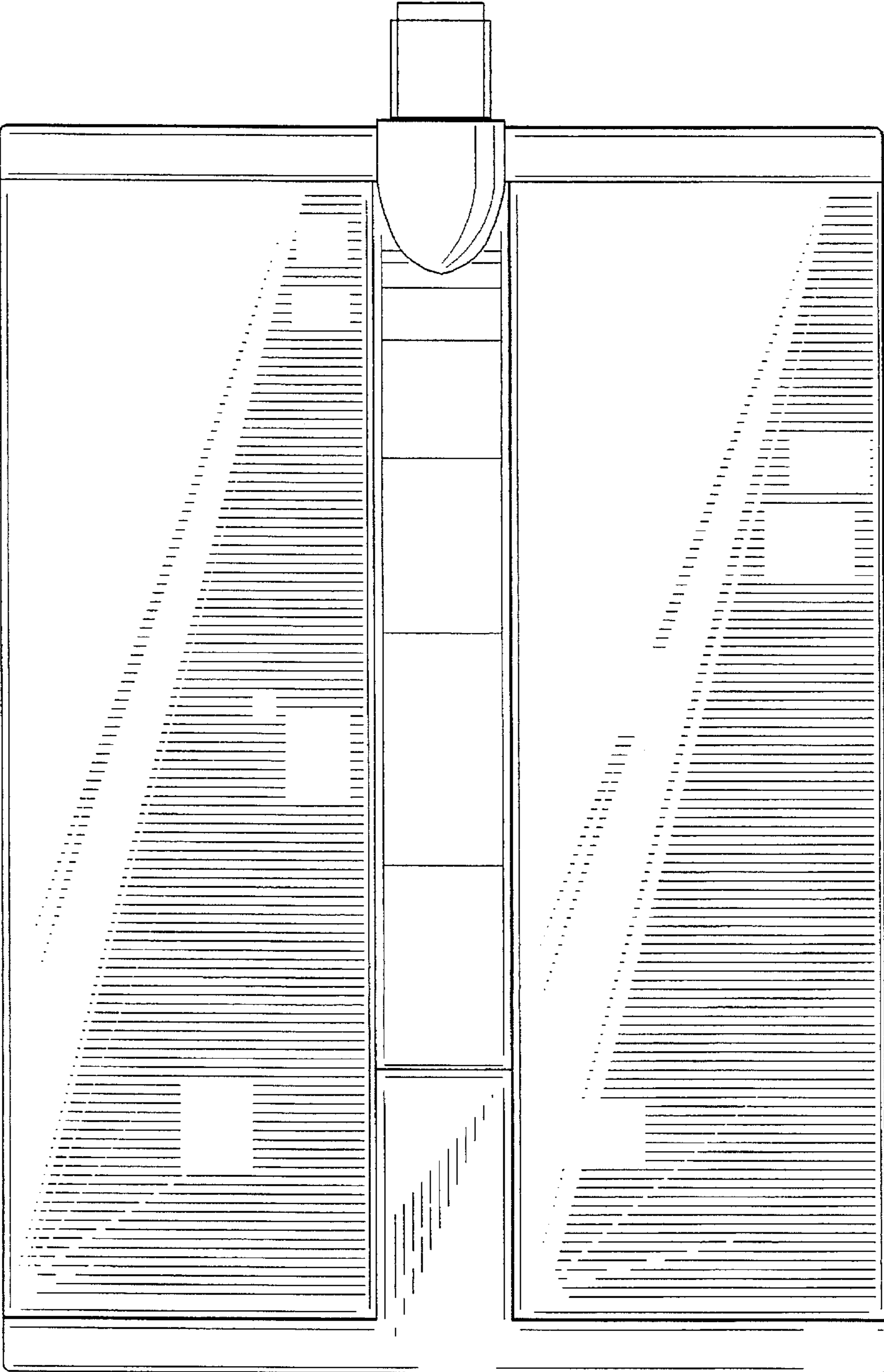
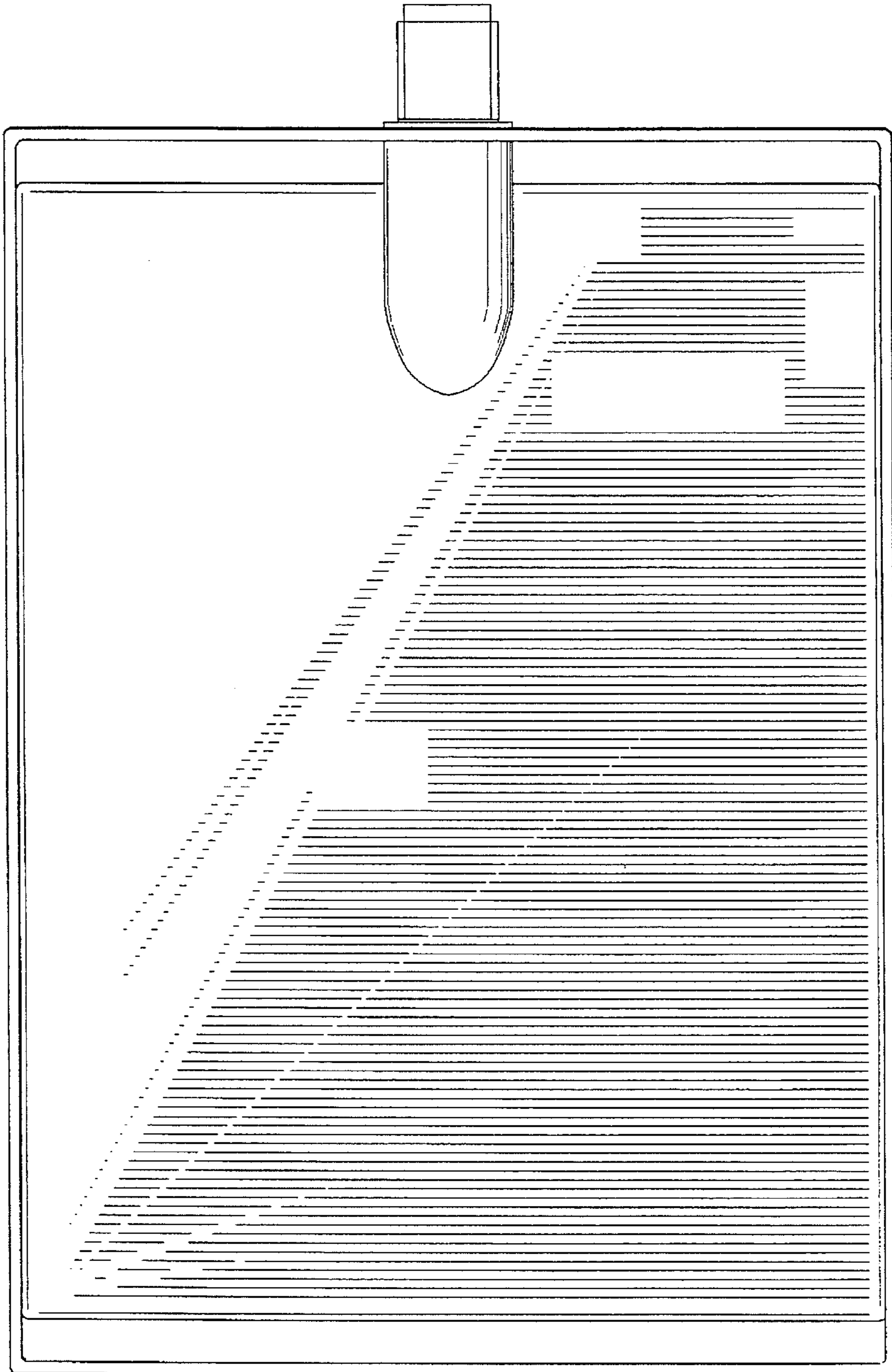


FIG. 13



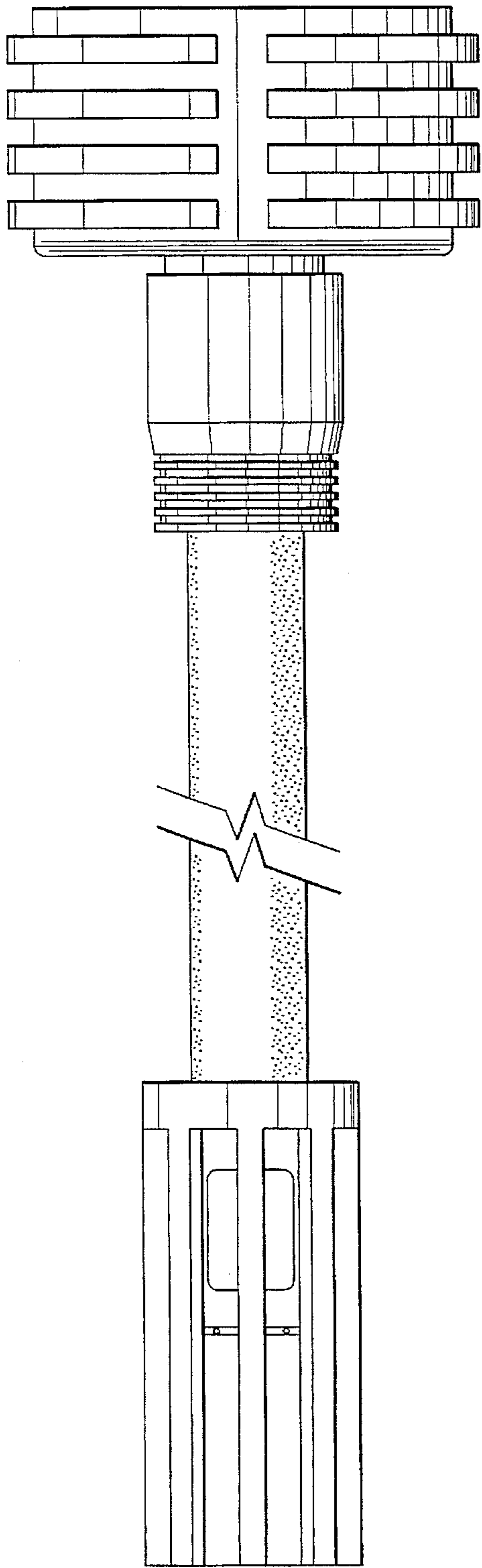


FIG. 14

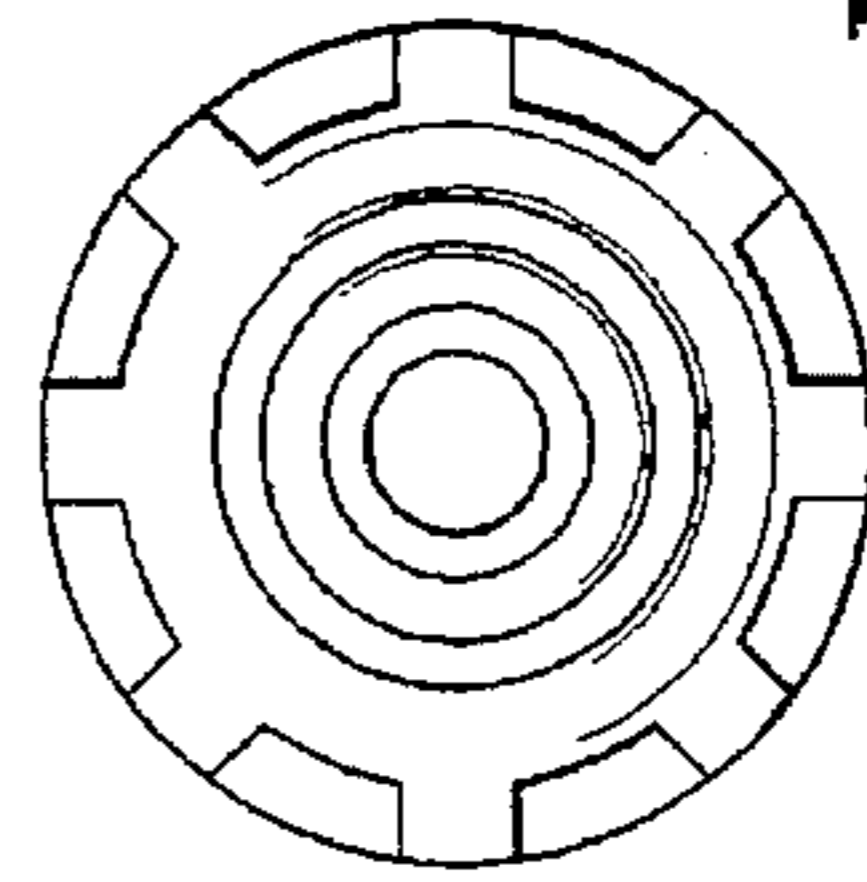


FIG. 15

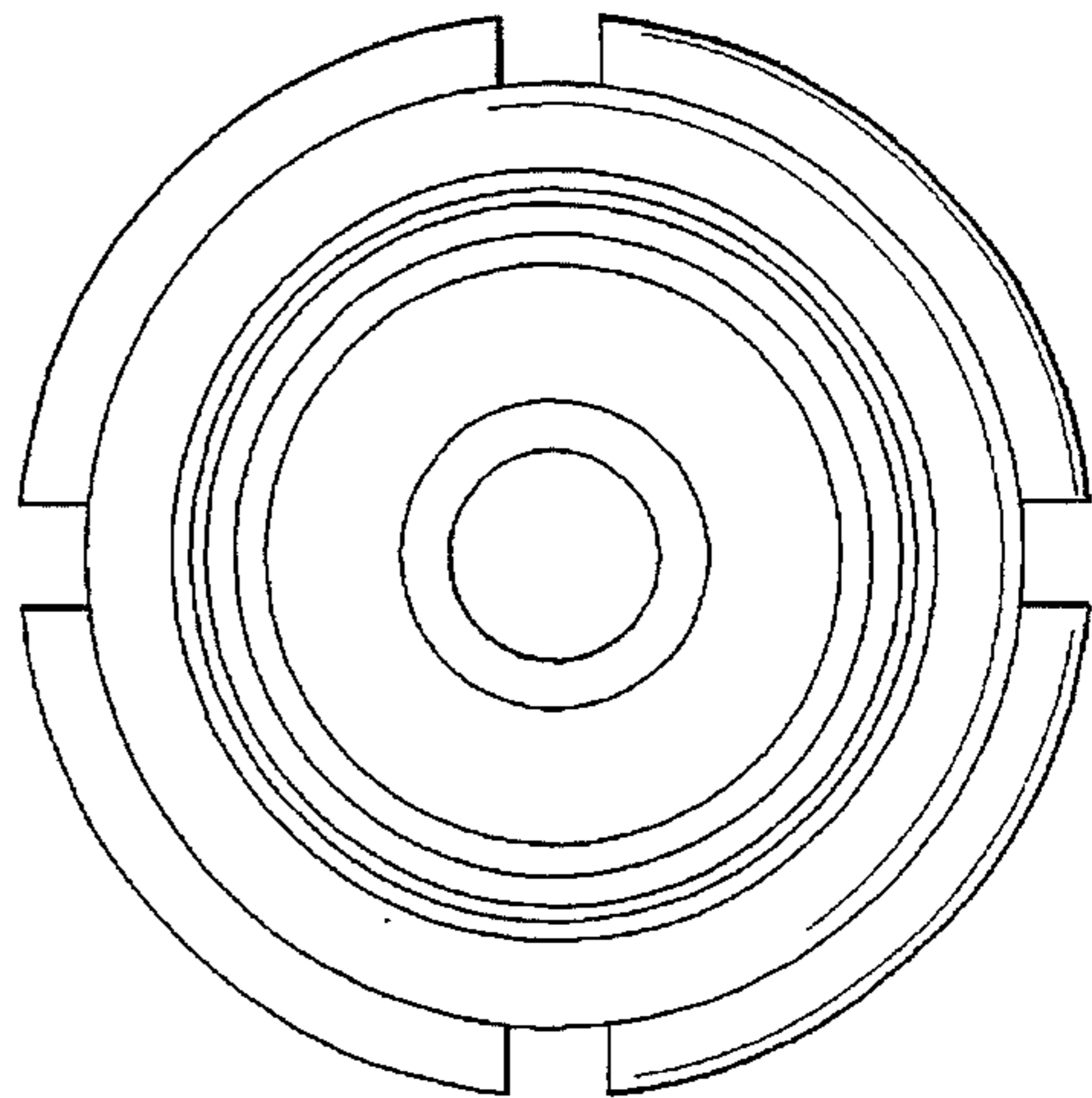


FIG. 16