



US00D371647S

United States Patent [19] Overmyer

[11] Patent Number: **Des. 371,647**

[45] Date of Patent: ****Jul. 9, 1996**

[54] **RECEPTACLE RINSER**

2,702,557 2/1955 Wiskerchen 239/29
3,568,928 3/1971 Wright 239/28

[76] Inventor: **F. Henry Overmyer**, 2596 County Rd.,
127, Lindsey, Ohio 43442

Primary Examiner—Ruth McInroy
Attorney, Agent, or Firm—Harold H. Dutton, Jr.; W. Charles
L. Jamison; Diane F. Liebman

[**] Term: **14 Years**

[21] Appl. No.: **33,793**

[57] **CLAIM**

[22] Filed: **Jan. 20, 1995**

The design for a receptacle rinser, as shown.

[52] U.S. Cl. **D32/1**

DESCRIPTION

[58] Field of Search D7/304; D32/1,
D32/25; D23/284, 292, 261; 134/104.2,
104.4, 198, 199; 239/24, 28, 29

FIG. 1 is a perspective view of a receptacle rinser showing
my new design;
FIG. 2 is a rear plan view thereof;
FIG. 3 is a right side view thereof;
FIG. 4 is a left side view thereof;
FIG. 5 is a top view thereof; and,
FIG. 6 is a bottom view thereof.

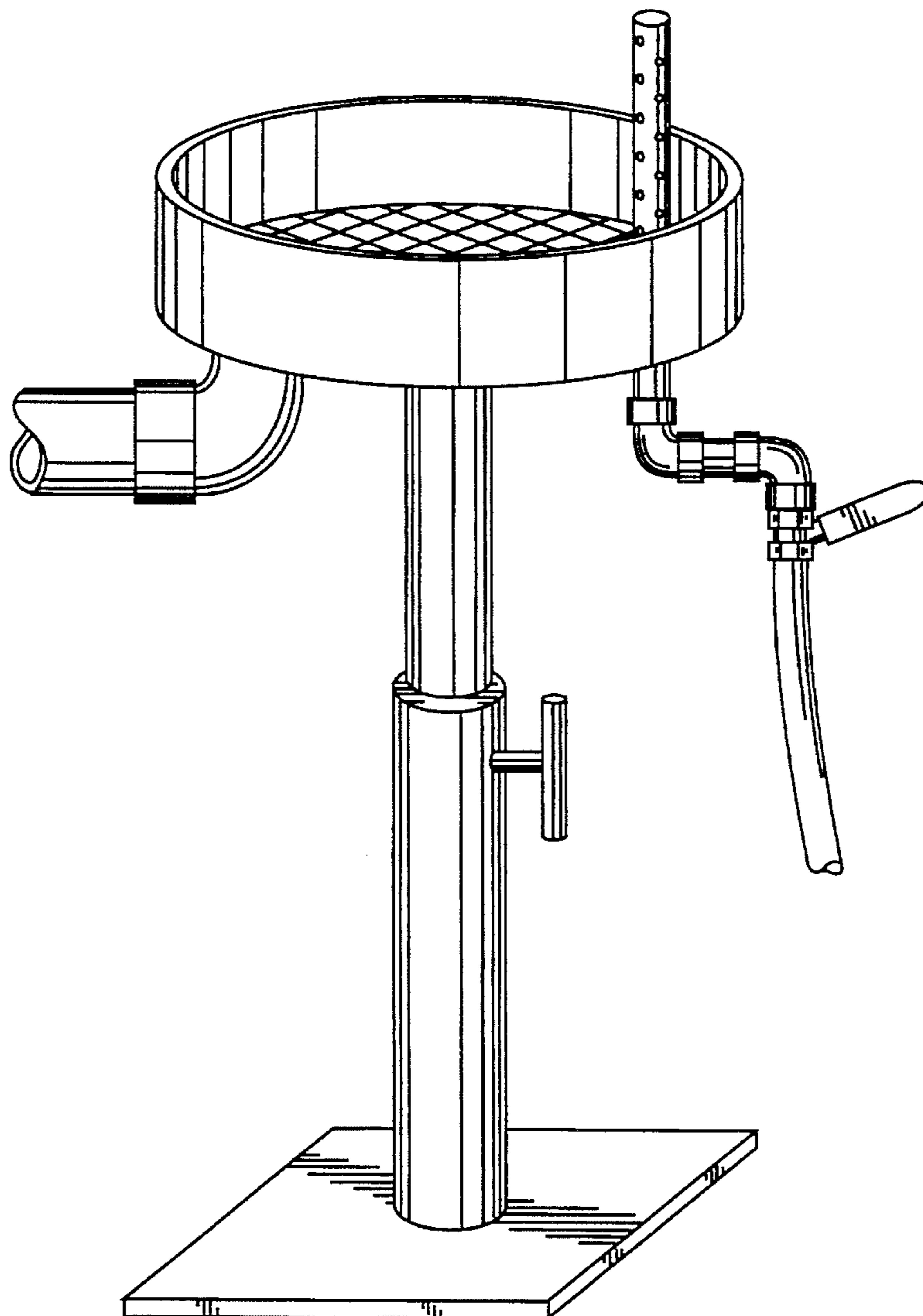
[56] **References Cited**

The pipe and hose shown broken away in all views is
understood to represent indeterminate length.

U.S. PATENT DOCUMENTS

D. 178,894	10/1956	Martin	D7/304
D. 232,322	8/1974	Lee	D32/1
D. 302,611	8/1989	Stern	D32/1
D. 305,371	1/1990	Stern	D32/1
2,438,654	3/1948	Albertson	D32/1

1 Claim, 5 Drawing Sheets



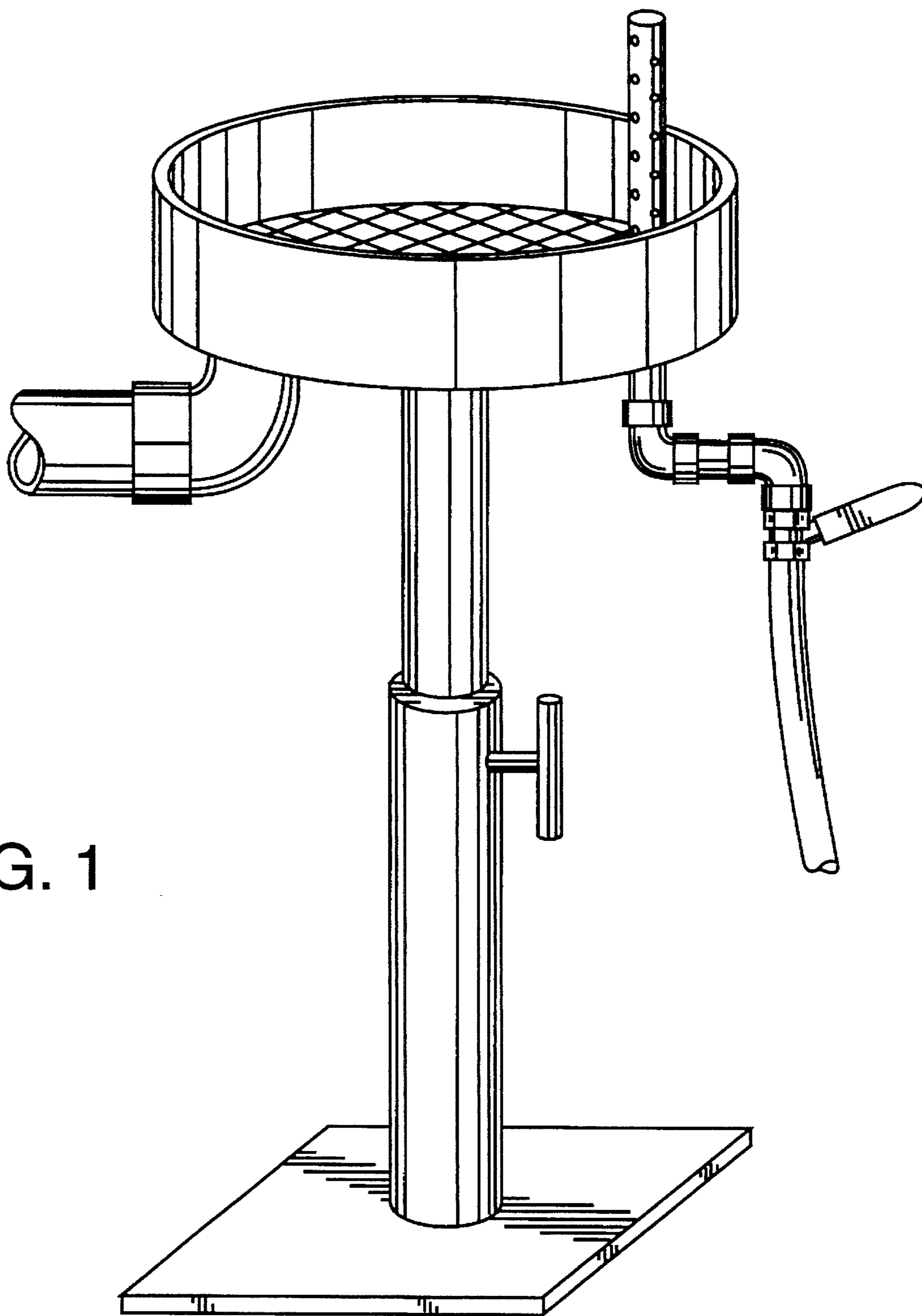


FIG. 1

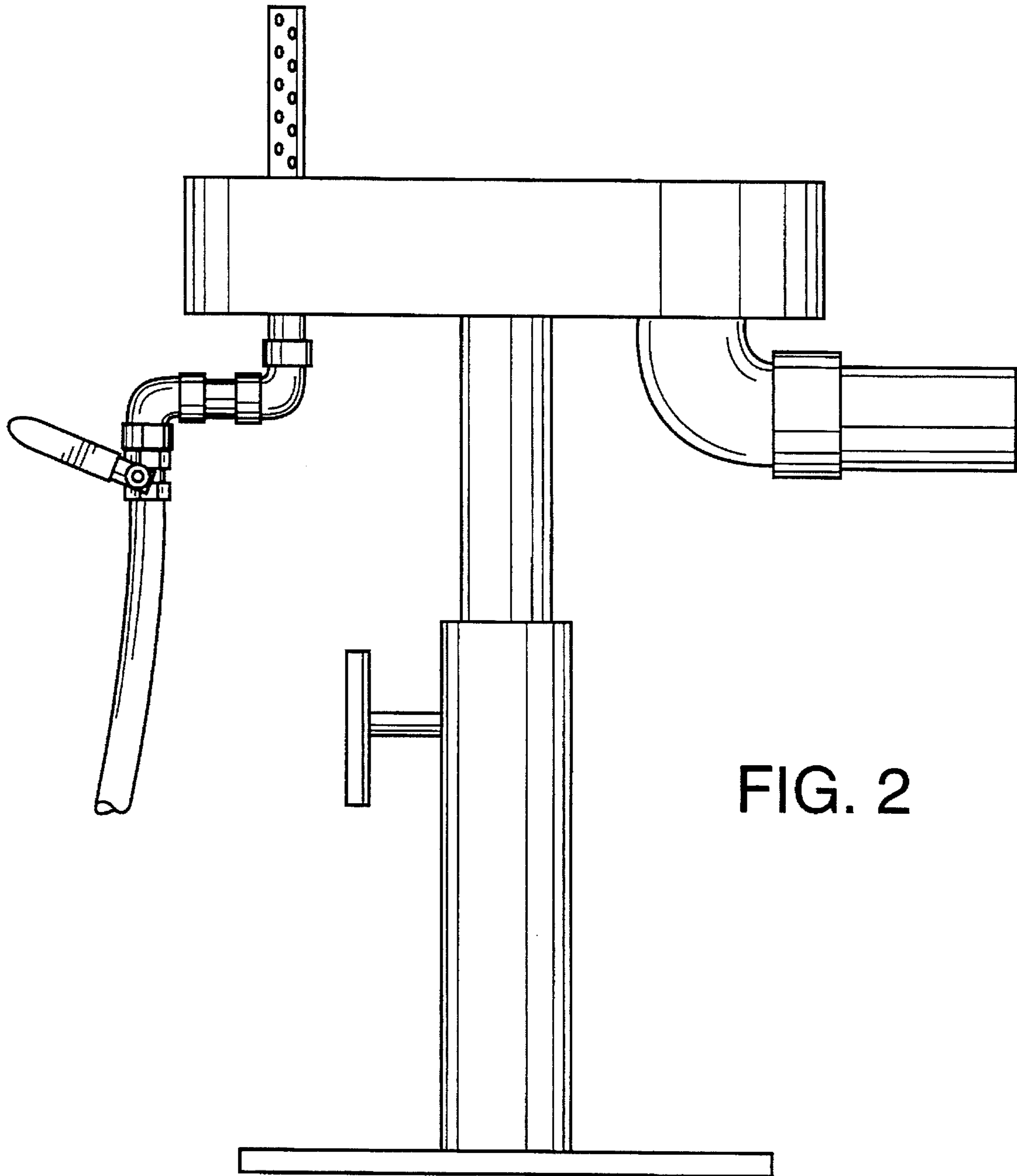


FIG. 2

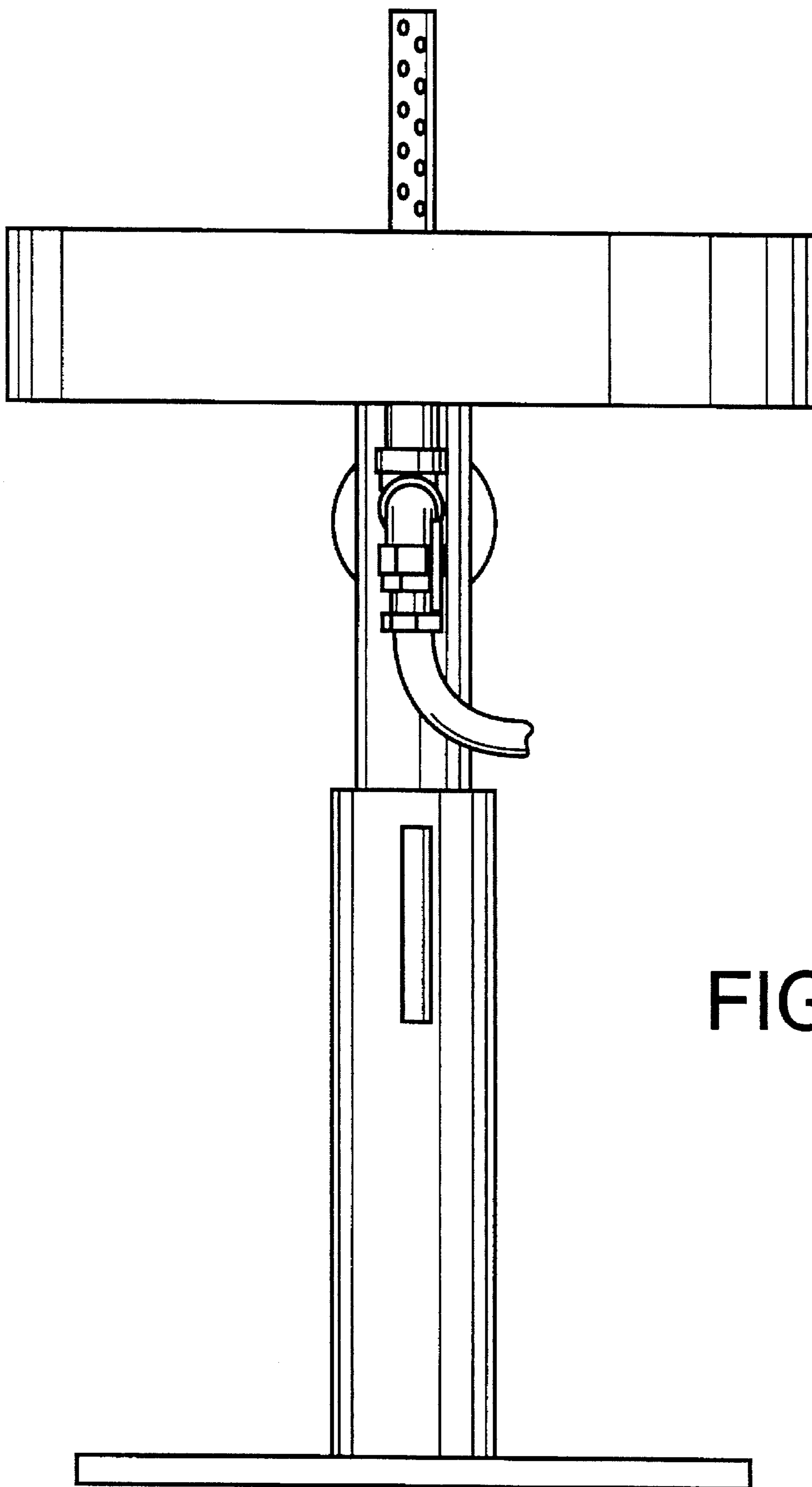


FIG. 3

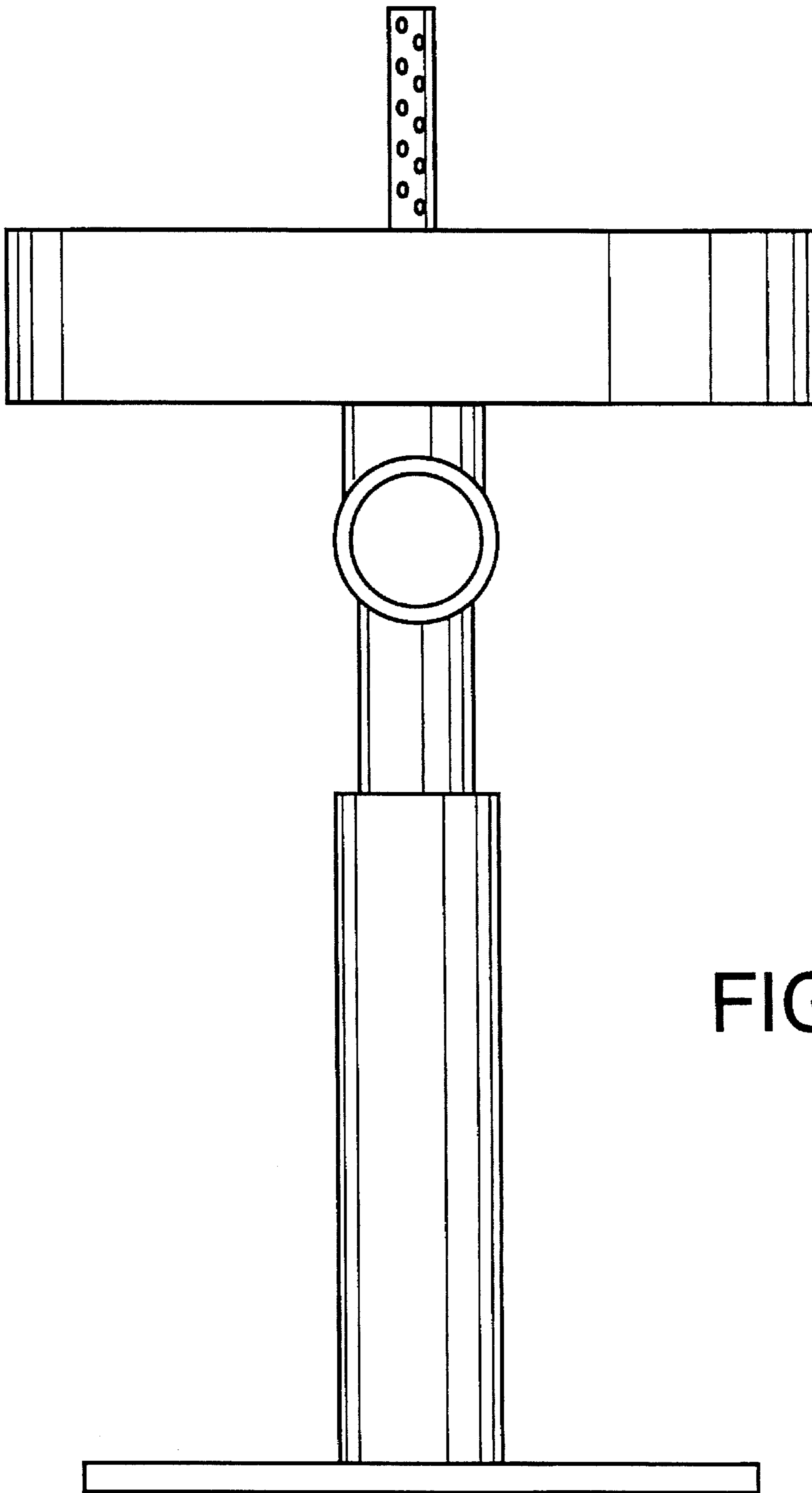


FIG. 4

FIG. 5

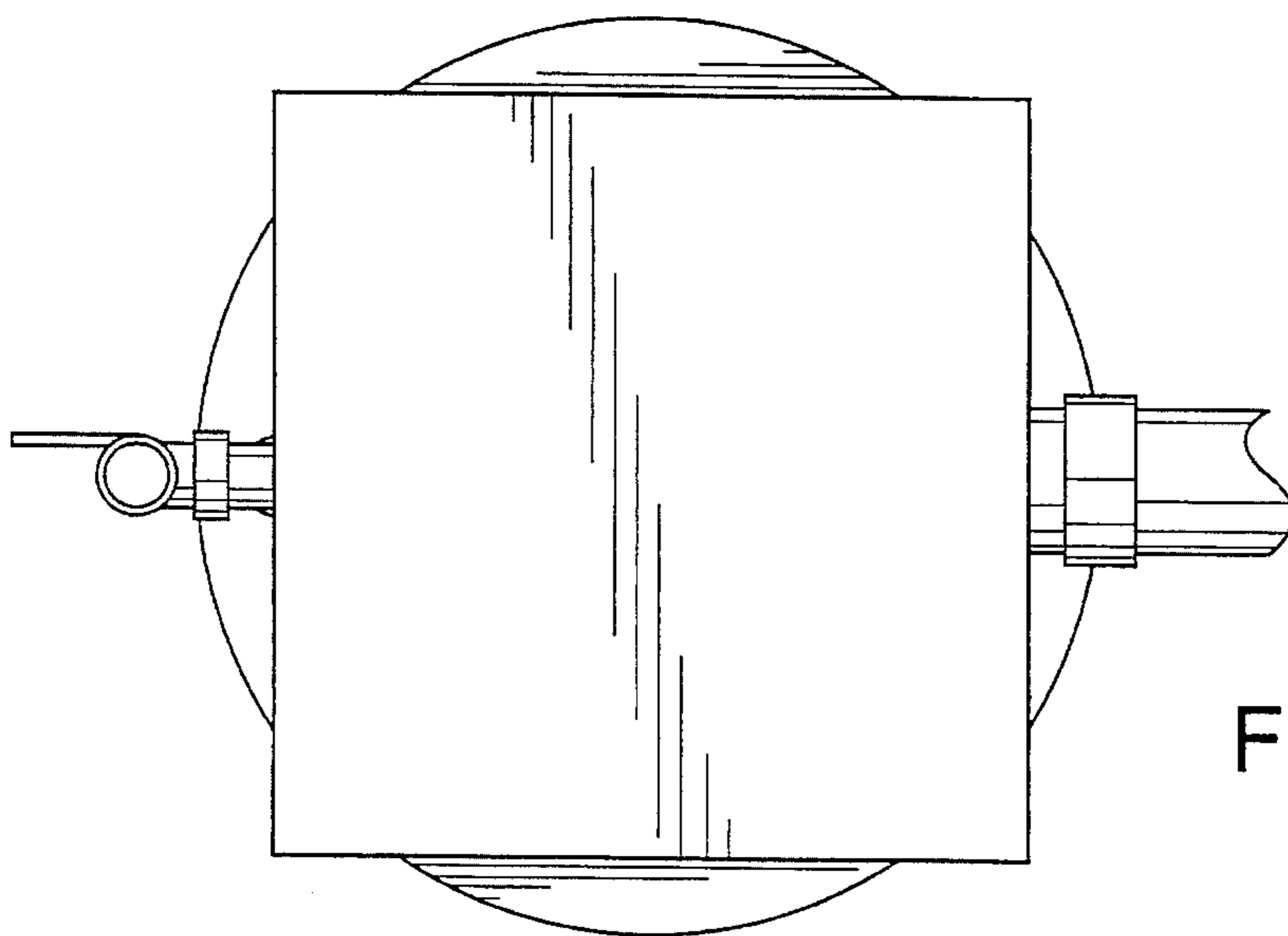
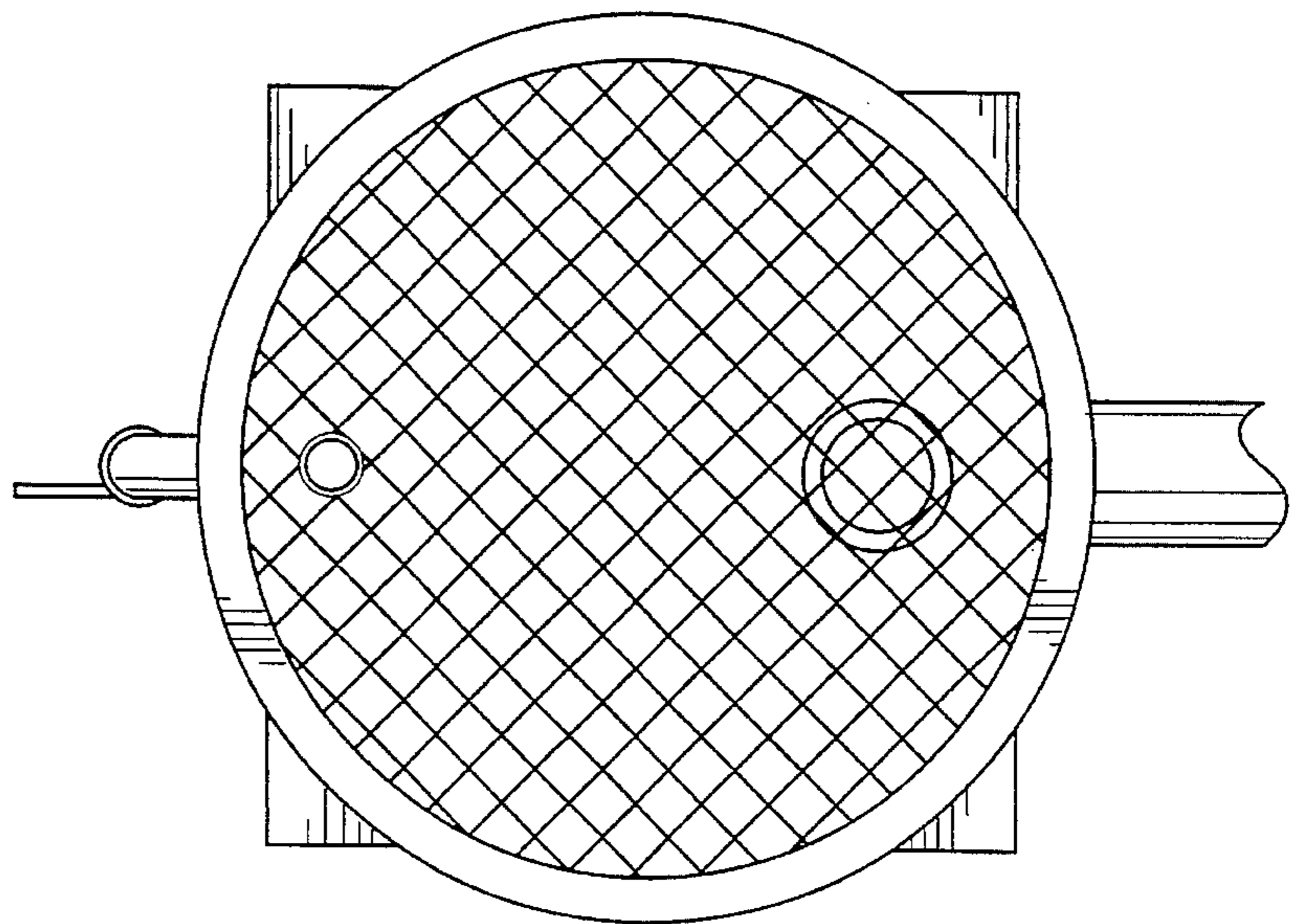


FIG. 6