



US00D371643S

United States Patent [19]

[11] **Patent Number: Des. 371,643**

Lillelund et al.

[45] **Date of Patent: **Jul. 9, 1996**

[54] **AUTOMATIC FEEDER FOR ANIMALS**

FOREIGN PATENT DOCUMENTS

[75] Inventors: **Stig Lillelund**, Gentofte; **Mikael Koch**, Copenhagen, both of Denmark

2227819	11/1974	France	119/77
21486	9/1896	United Kingdom	119/52.1
2229076	9/1990	United Kingdom	119/52.1
2241633	9/1991	United Kingdom	119/77
2251778	7/1992	United Kingdom	119/52.1

[73] Assignee: **Dart Industries Inc.**, Deerfield, Ill.

[**] Term: **14 Years**

OTHER PUBLICATIONS

[21] Appl. No.: **36,001**

J-B Catalog, 1993 -p. 14; Self Feeders & Waterers.

[22] Filed: **Mar. 16, 1995**

Primary Examiner—Cathy Anne MacCormac
Attorney, Agent, or Firm—John A. Doninger

[52] **U.S. Cl.** **D30/122**

[58] **Field of Search** 119/41, 77, 52.1, 119/51.5, 53, 54; D30/121-122, 129-133

[57] **CLAIM**

The ornamental design for an automatic feeder for animals, as shown.

[56] **References Cited**

DESCRIPTION

U.S. PATENT DOCUMENTS

D. 330,098	10/1992	VanSkiver	D30/132
D. 334,251	3/1993	Tiu	D30/122
D. 351,689	10/1994	VanSkiver	D30/121
3,720,184	3/1973	Pearce	119/51.5
3,730,141	5/1973	Manning et al.	119/51.5
4,034,715	7/1977	Arner	119/51.5
4,281,624	8/1981	Raines	119/52.1
4,303,039	12/1981	Thibault	119/53
4,315,483	2/1982	Scheidler	119/51.11
4,348,988	9/1982	Lawson	119/53
4,573,434	3/1986	Gardner	119/77
4,721,063	1/1988	Atchley	119/52.1
4,840,143	6/1989	Simon	119/52.1
5,016,572	5/1991	Weber et al.	119/52.1
5,207,182	5/1993	Lorenzana	119/77
5,263,437	11/1993	Murphrey	119/53.5
5,353,739	10/1994	Chu	119/54

FIG. 1 is a top, side and front perspective view of an automatic feeder for animals showing our new design; FIG. 2 is an exploded perspective view thereof; FIG. 3 is a top plan view thereof; FIG. 4 is a bottom plan view thereof; FIG. 5 is a left side view thereof; FIG. 6 is a right side view thereof; FIG. 7 is a front elevation view thereof; FIG. 8 is a rear elevation view thereof; FIG. 9 is a cross-section view thereof on line 9 —9 in FIG. 3; and, FIG. 10 is a cross-section view thereof on line 10 —10 in FIG. 3.

1 Claim, 5 Drawing Sheets

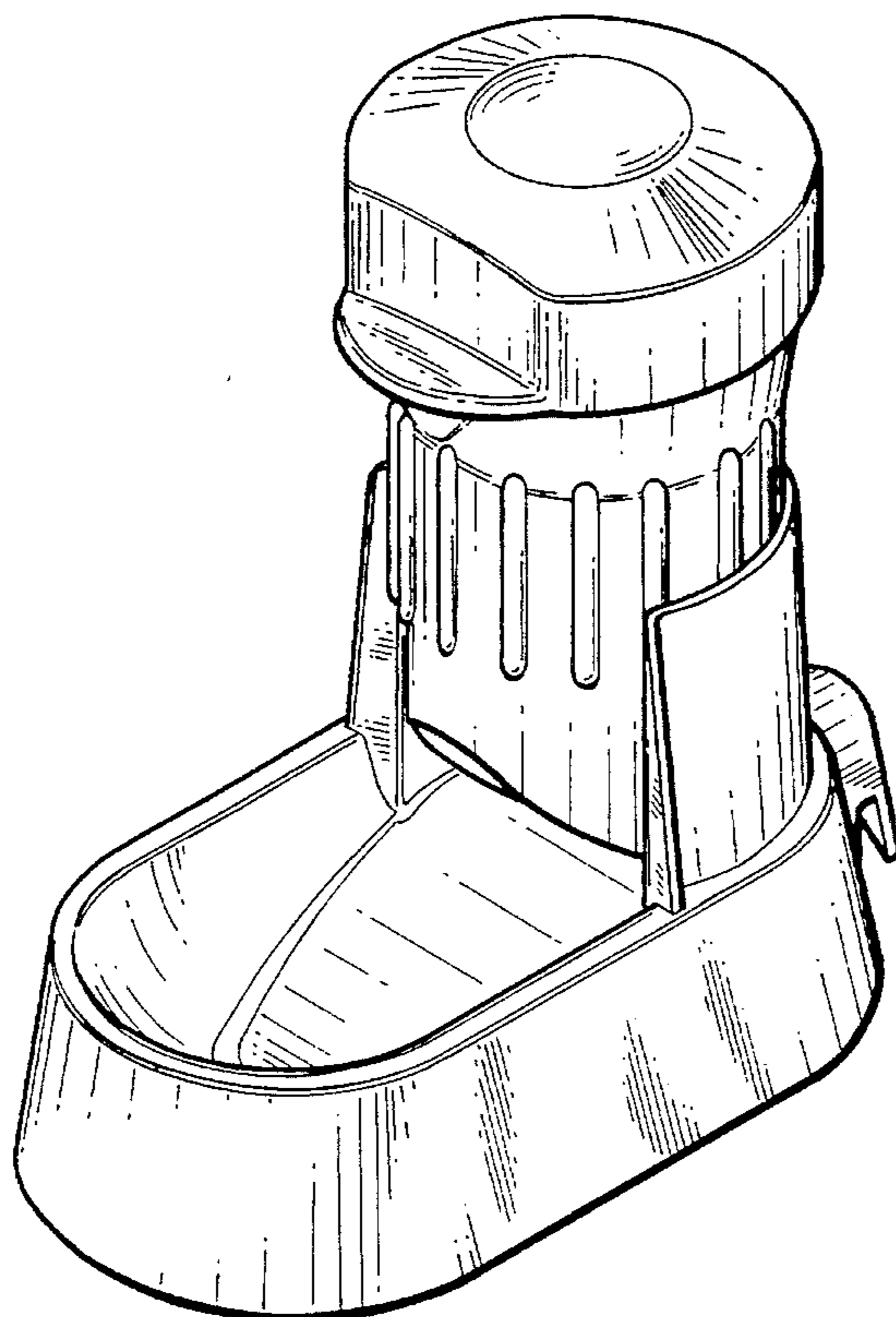


FIG. 1

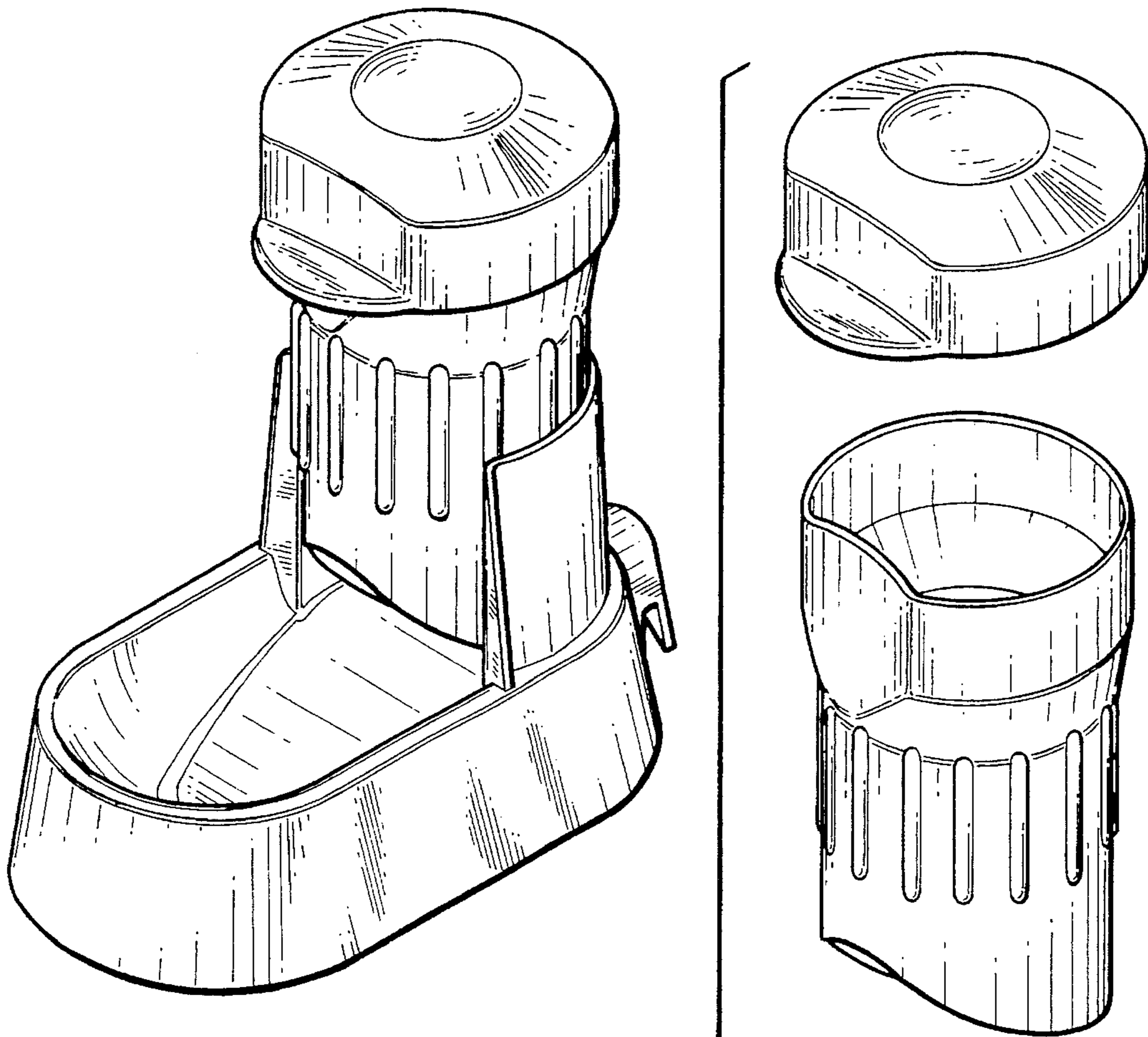
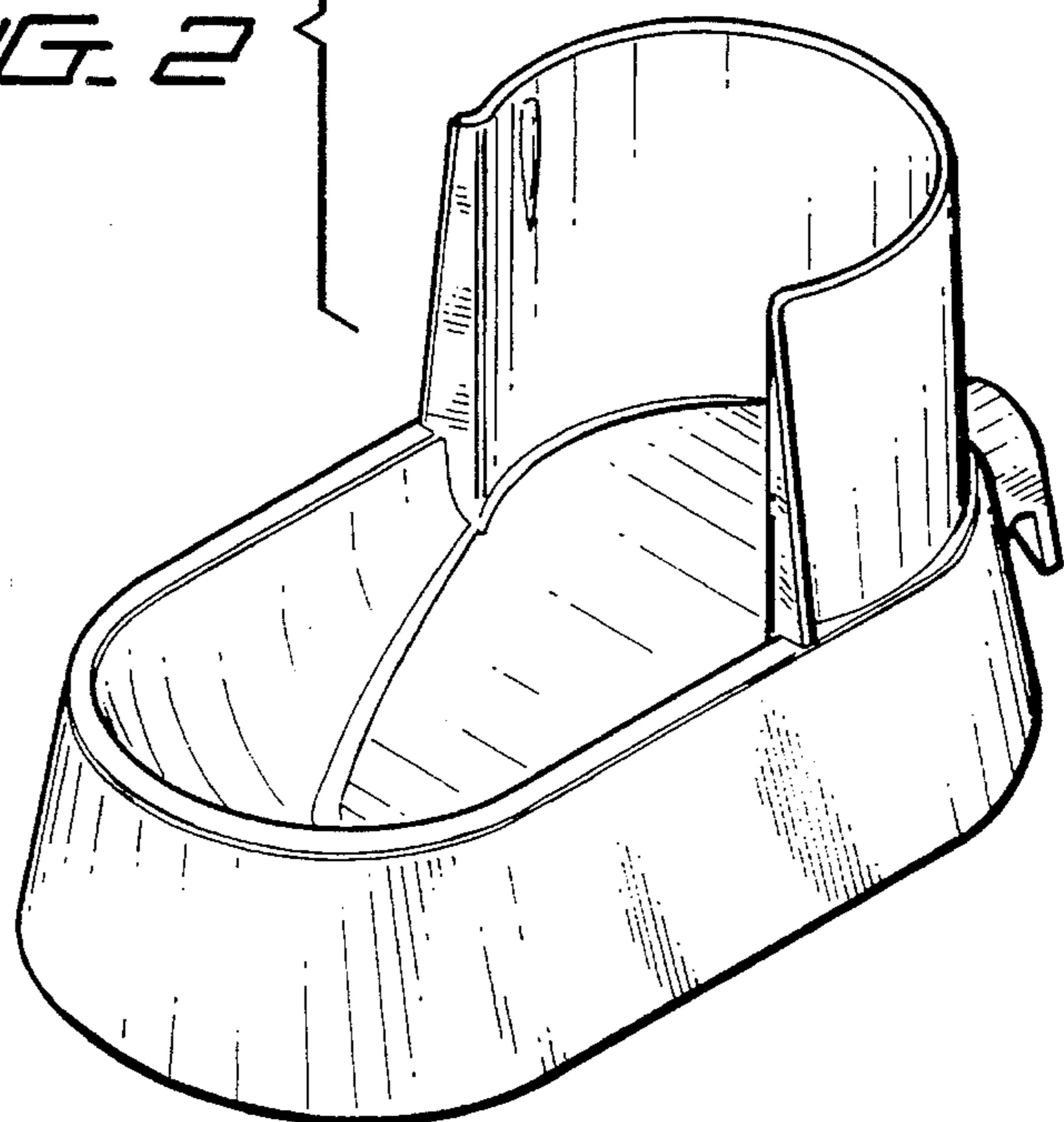
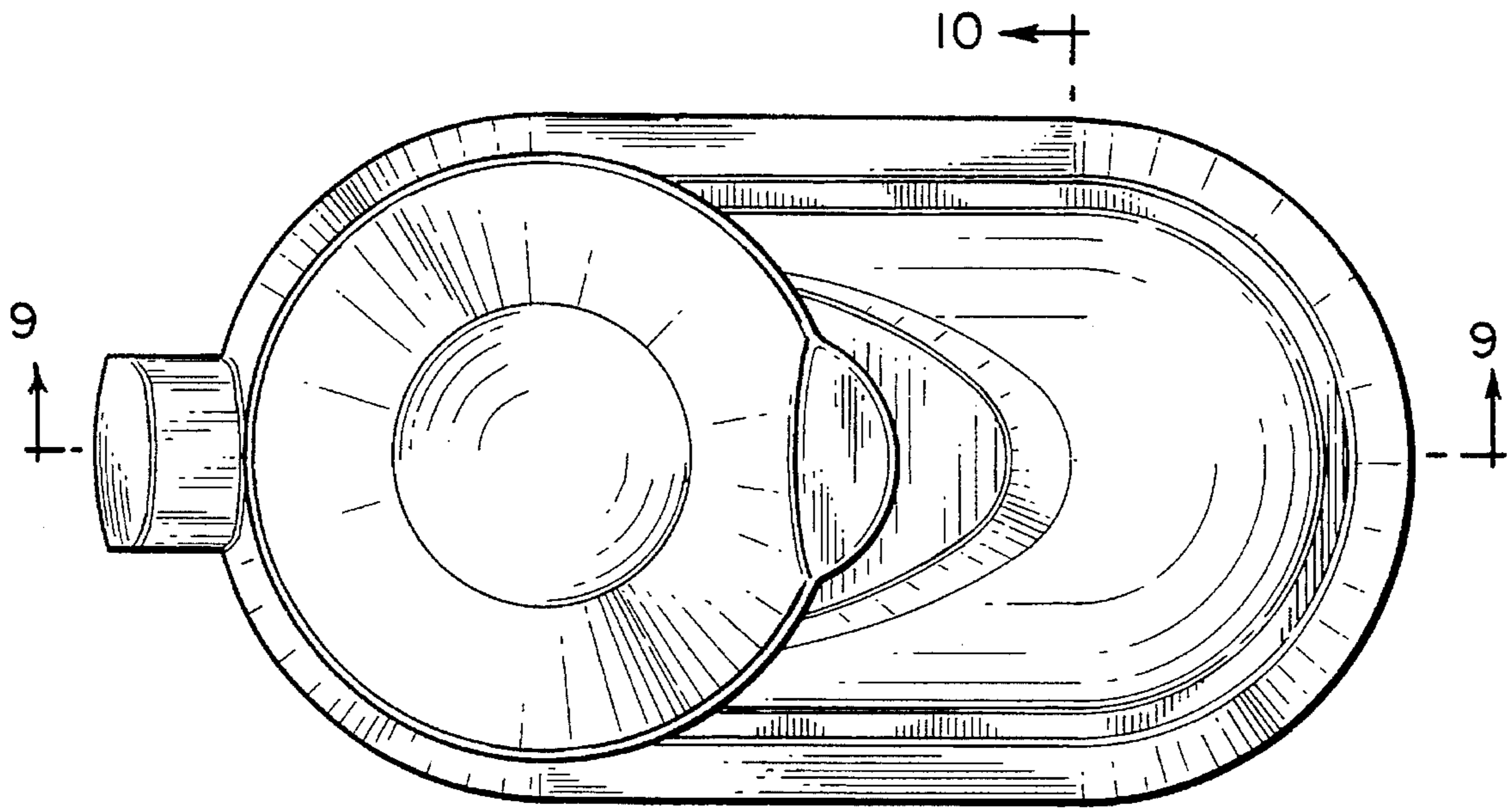


FIG. 2





10 ←
FIG. 3

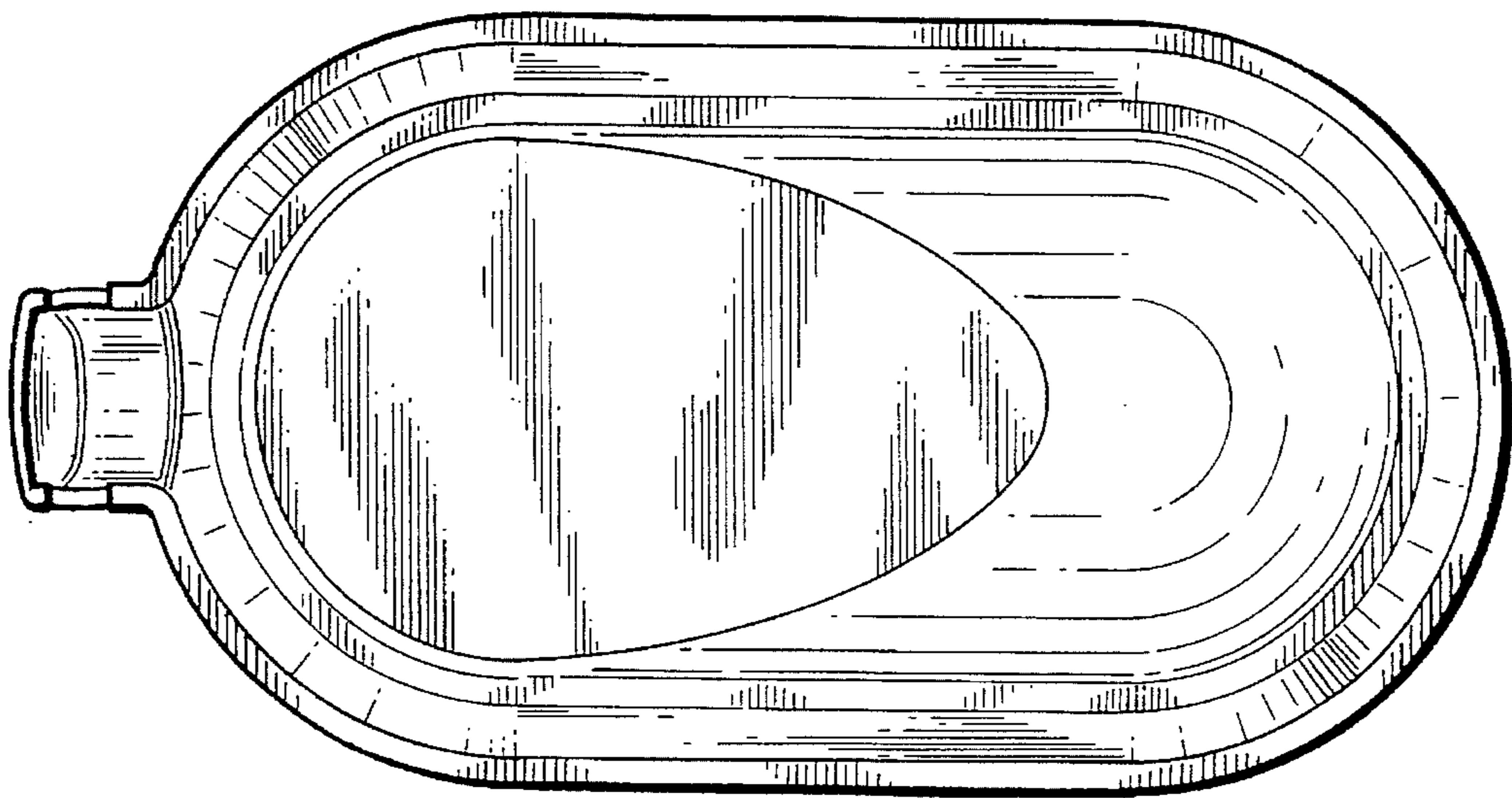


FIG. 4

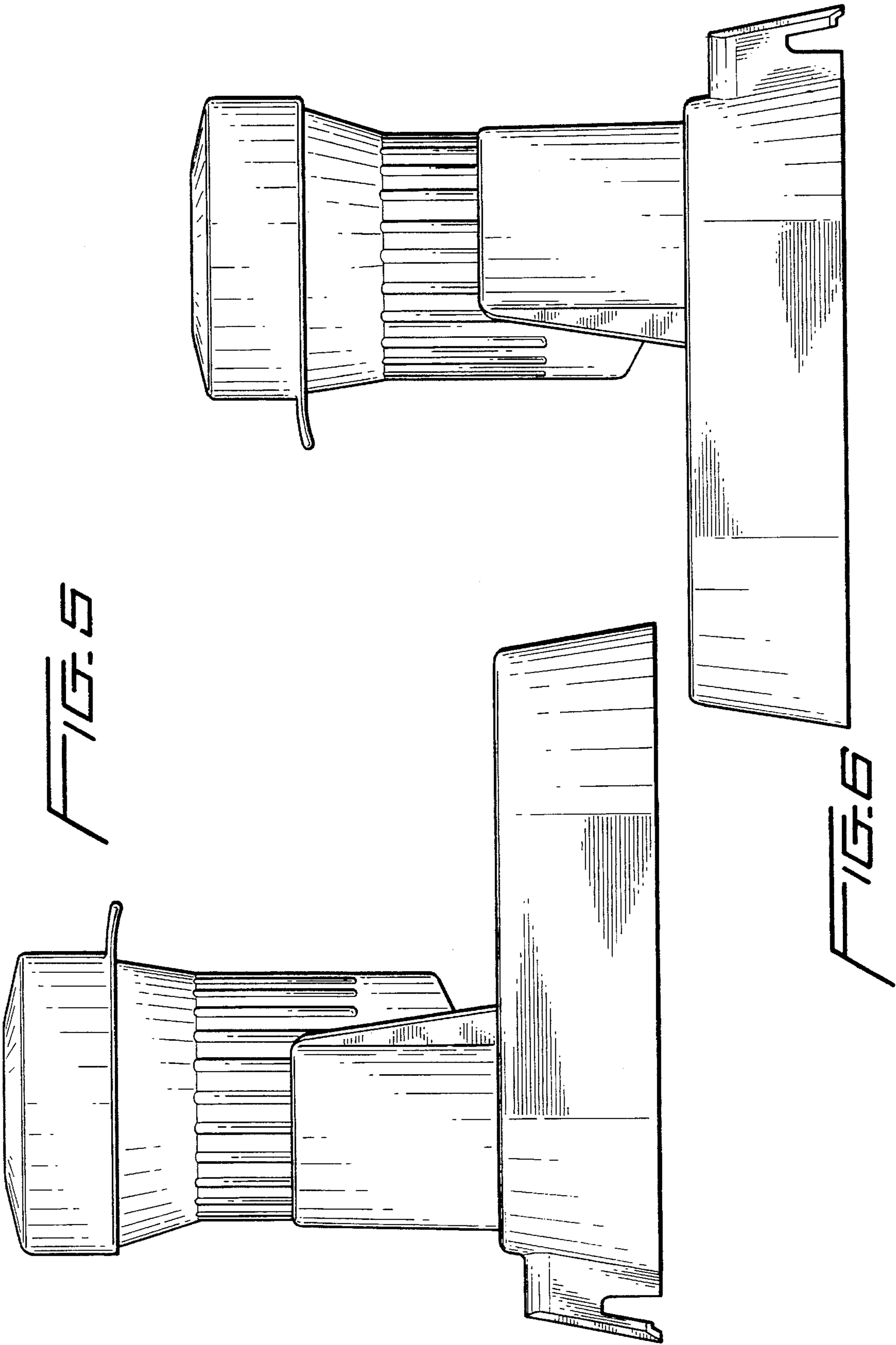


FIG. 8

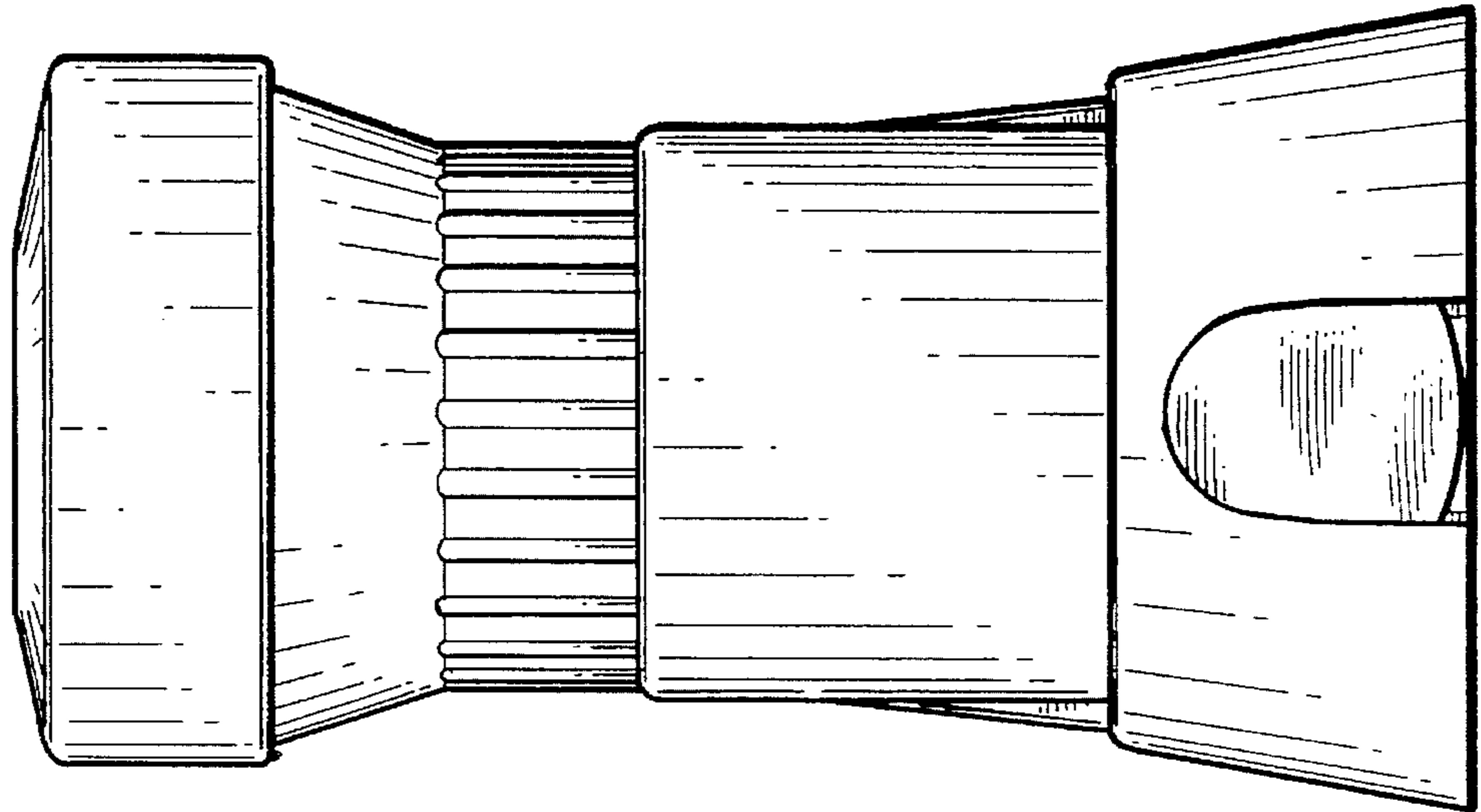
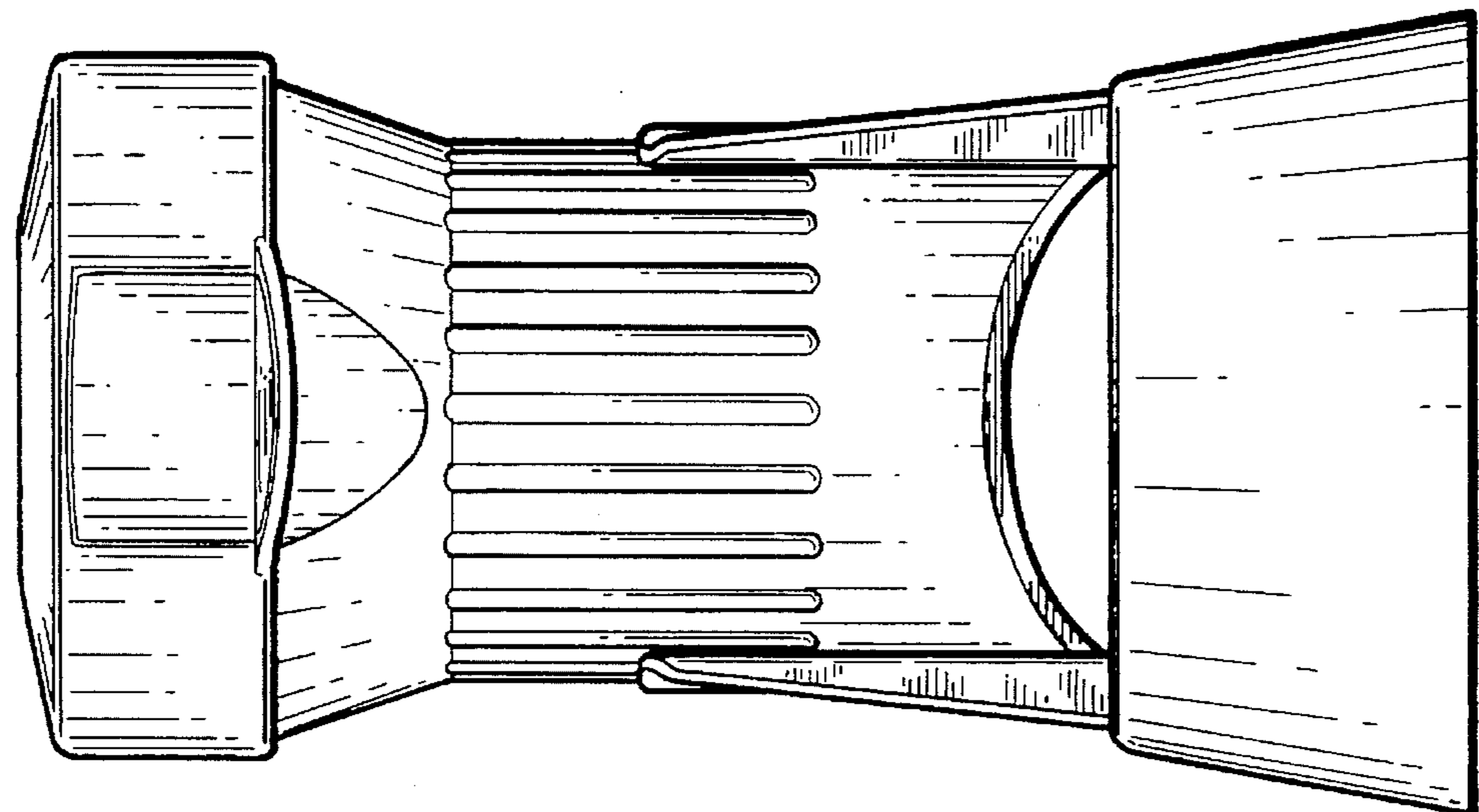


FIG. 7



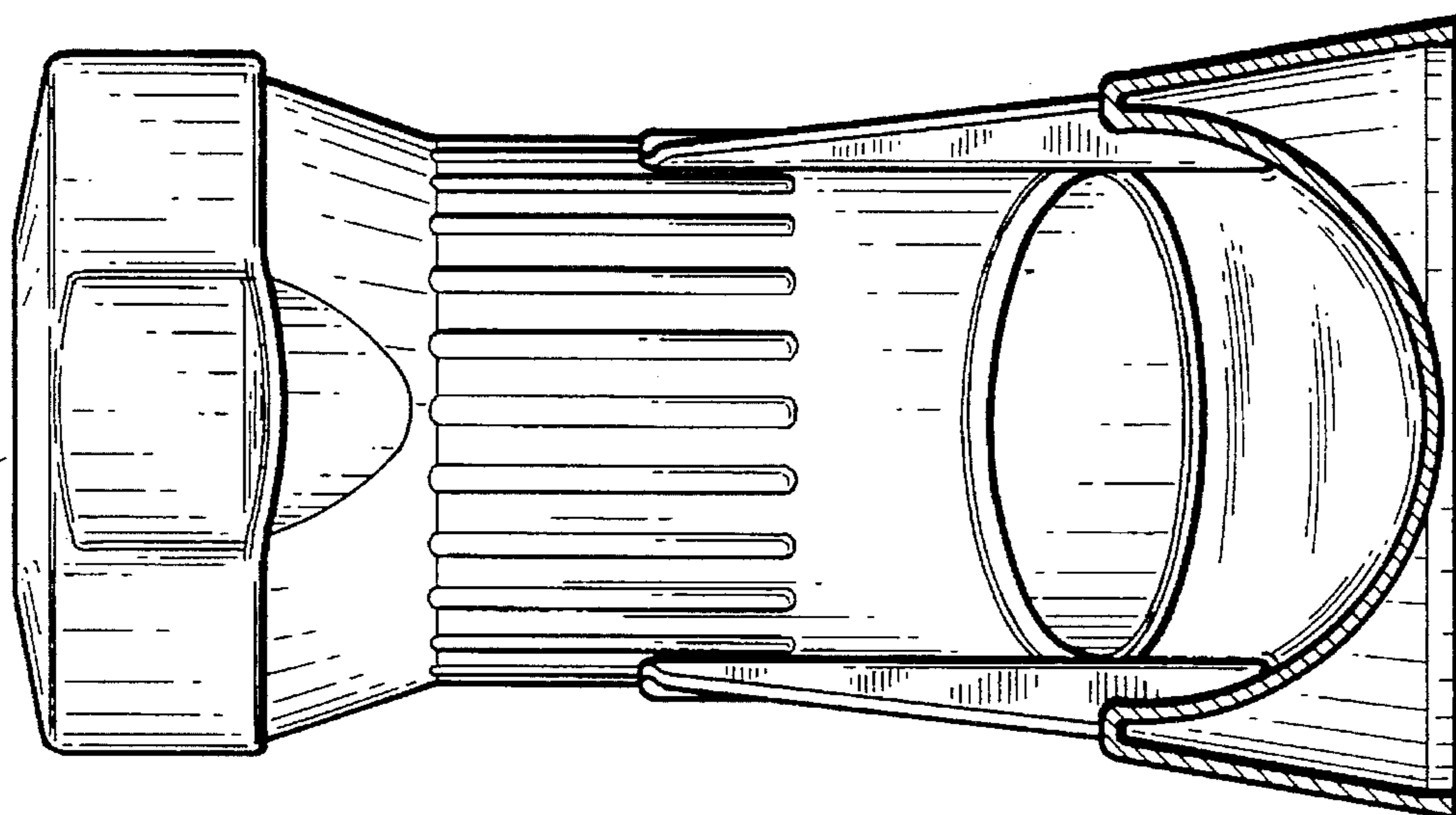


FIG. 10

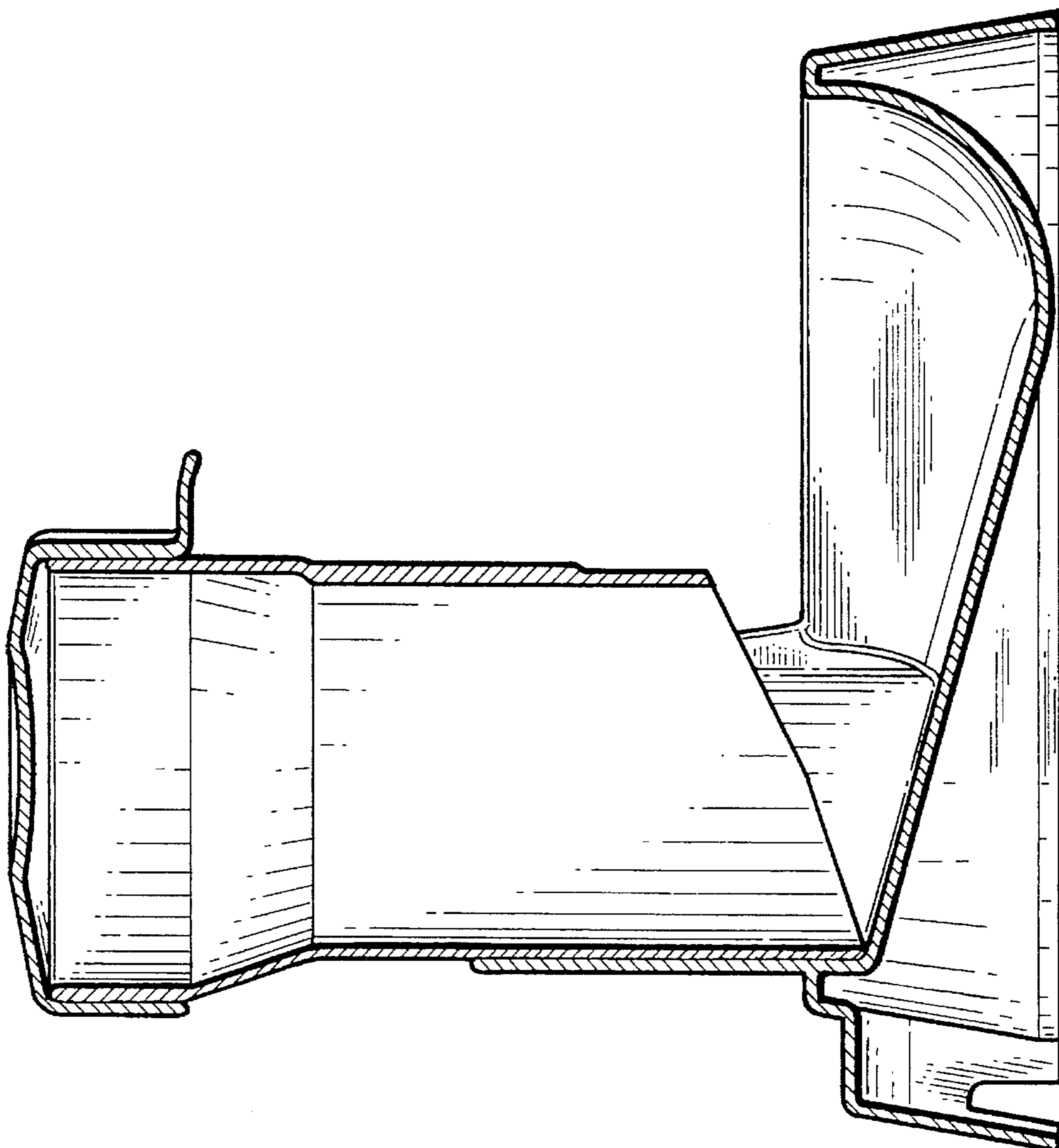


FIG. 9