



US00D371637S

United States Patent [19]
Huang

[11] **Patent Number: Des. 371,637**

[45] **Date of Patent: **Jul. 9, 1996**

[54] **LIPSTICK CASE**

VOGUE Dec. 1993, p. 123: Amarige de Givenchy bottle cap.

[76] Inventor: **Chin-Yi Huang**, No. 4, Lane 155, Tan Pei Road, Yueh Mei Li, Ho Mei Chen, Chang Hua Hsien, Taiwan

Primary Examiner—Ted Shooman
Assistant Examiner—C. Tuttle
Attorney, Agent, or Firm—Morton J. Rosenberg; David I. Klein

[**] Term: **14 Years**

[21] Appl. No.: **42,125**

[57] **CLAIM**

[22] Filed: **Aug. 1, 1995**

The ornamental design for a lipstick case, as shown and described.

[52] **U.S. Cl.** **D28/85; D9/552**

[58] **Field of Search** D28/79, 80, 85-91;
D9/307, 310, 516, 517, 548, 552, 562,
565; D21/52; 132/317, 318; 206/385, 581,
823; 401/88, 89, 98

DESCRIPTION

[56] **References Cited**

FIG. 1 is a perspective view of a lipstick case showing our new design;

U.S. PATENT DOCUMENTS

FIG. 2 is a front elevational view thereof;

D. 142,679	10/1945	Spiegel	D28/85
D. 284,548	7/1986	Rosen	D9/529
D. 306,221	2/1990	Chen	D9/337 X
D. 322,217	12/1991	Dinand	D9/575
D. 345,827	4/1994	Yang	D28/87
D. 357,632	4/1995	Dinand	D9/552 X

FIG. 3 is a rear elevational view thereof;

FIG. 4 is a left side elevational view thereof;

FIG. 5 is a right side elevational view thereof;

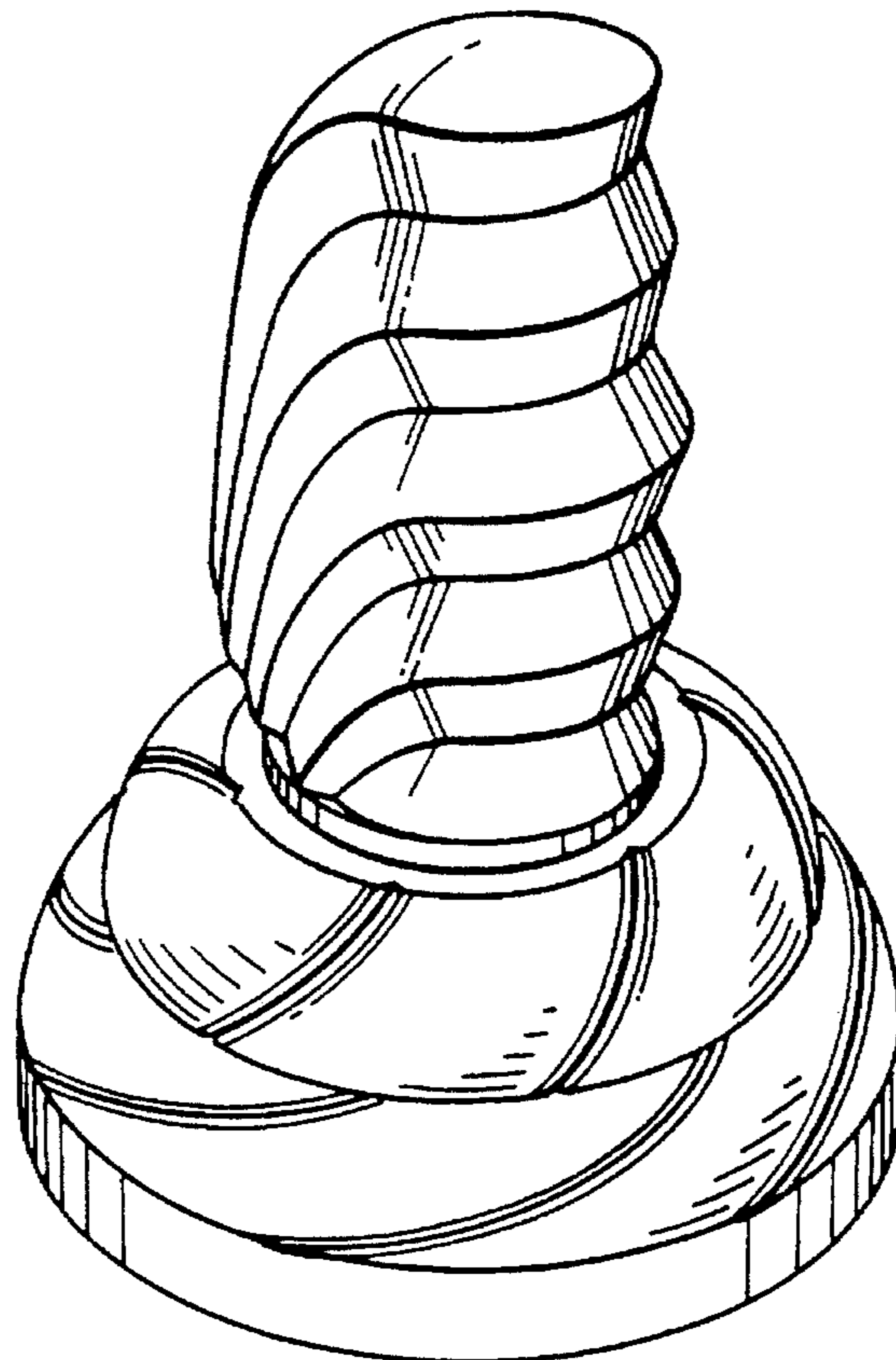
FIG. 6 is a top plan view thereof; and,

FIG. 7 is a bottom plan view thereof.

OTHER PUBLICATIONS

E. S. LOWE Company, Inc. catalog Nov. 1948, p. 1: 3rd chess piece in top row.
BEAUTY FASHION Feb. 1989, p. 35: Shiseido Bio-Performance container.

1 Claim, 3 Drawing Sheets



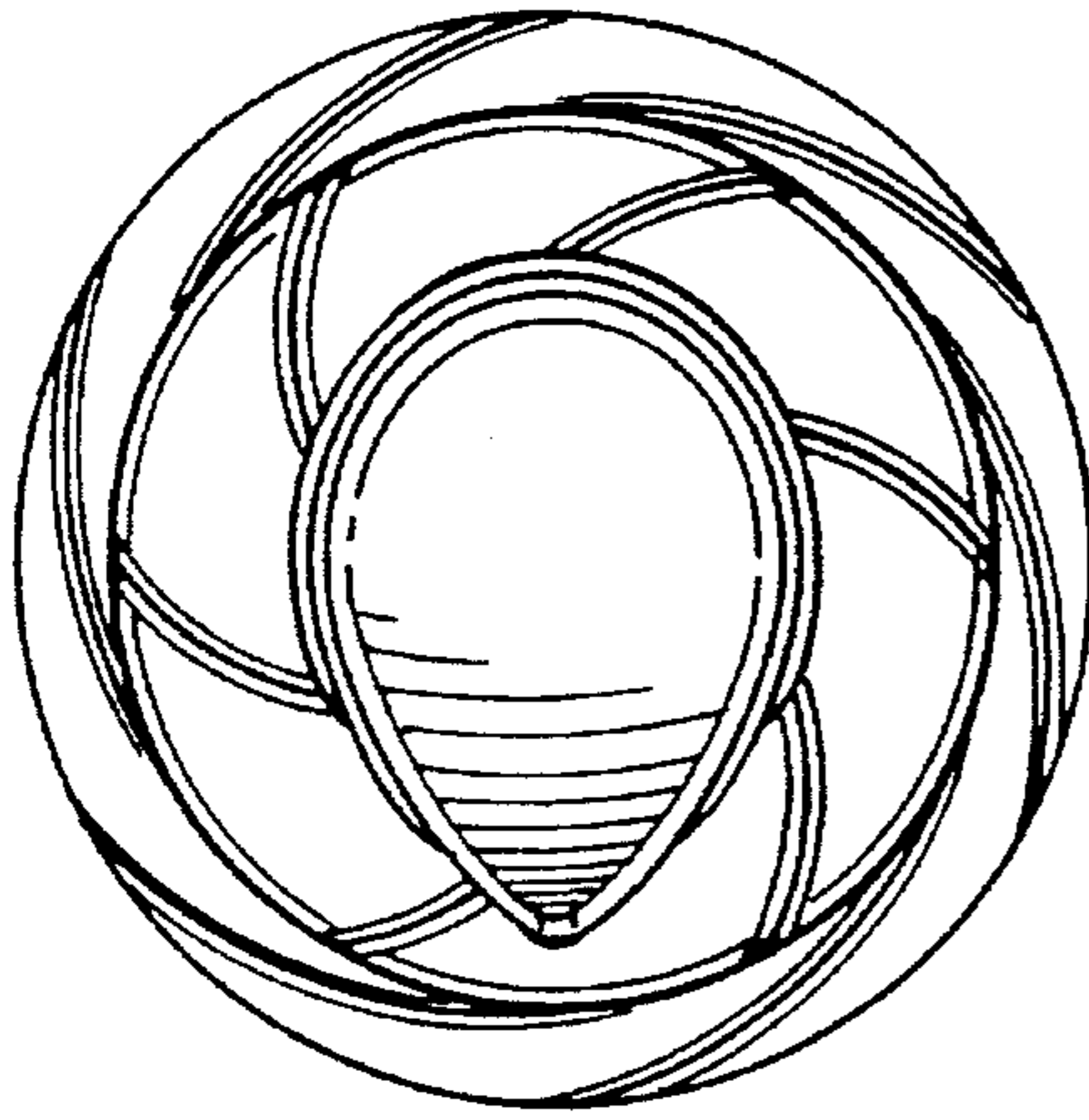


FIG. 6

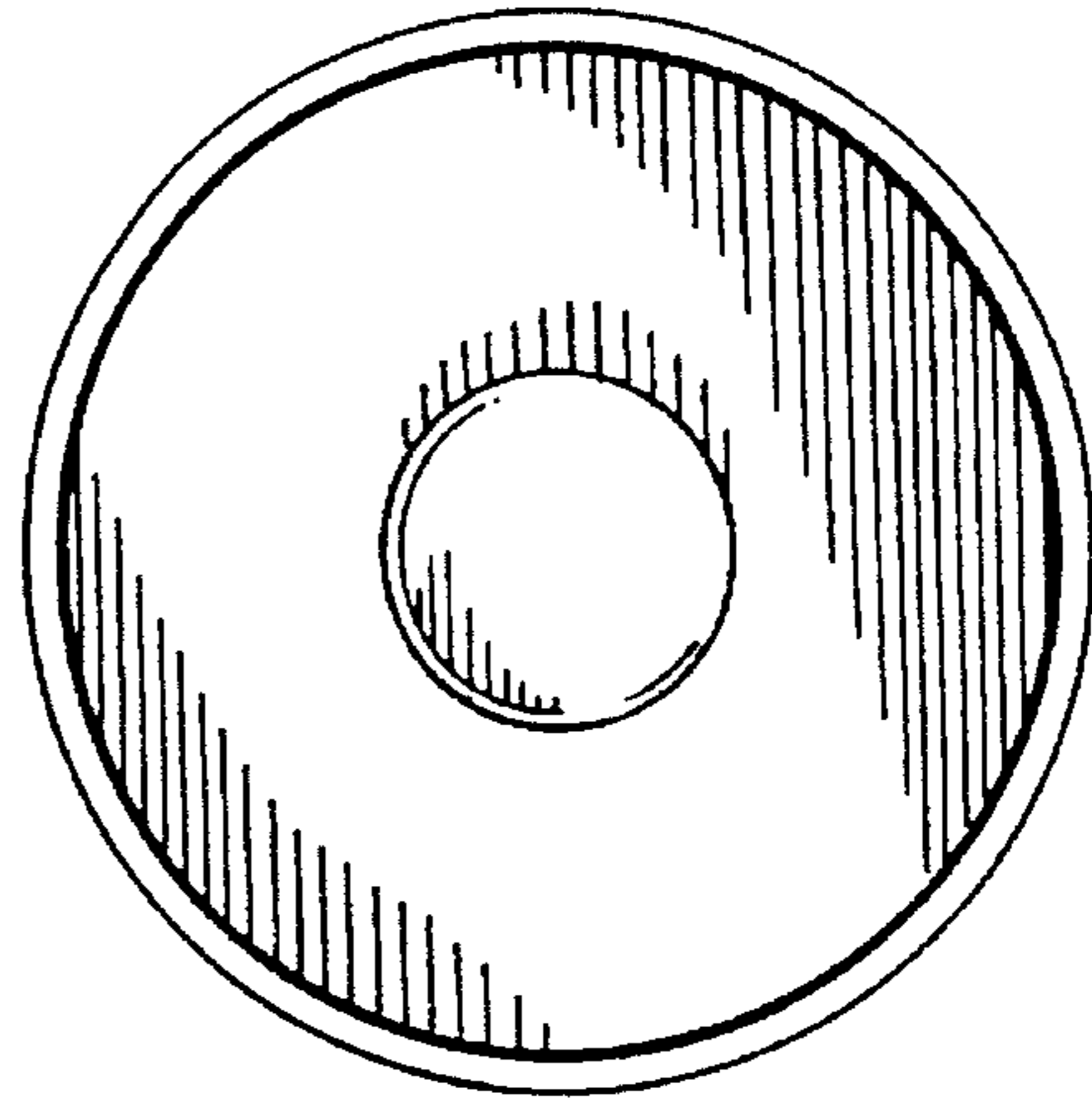


FIG. 7

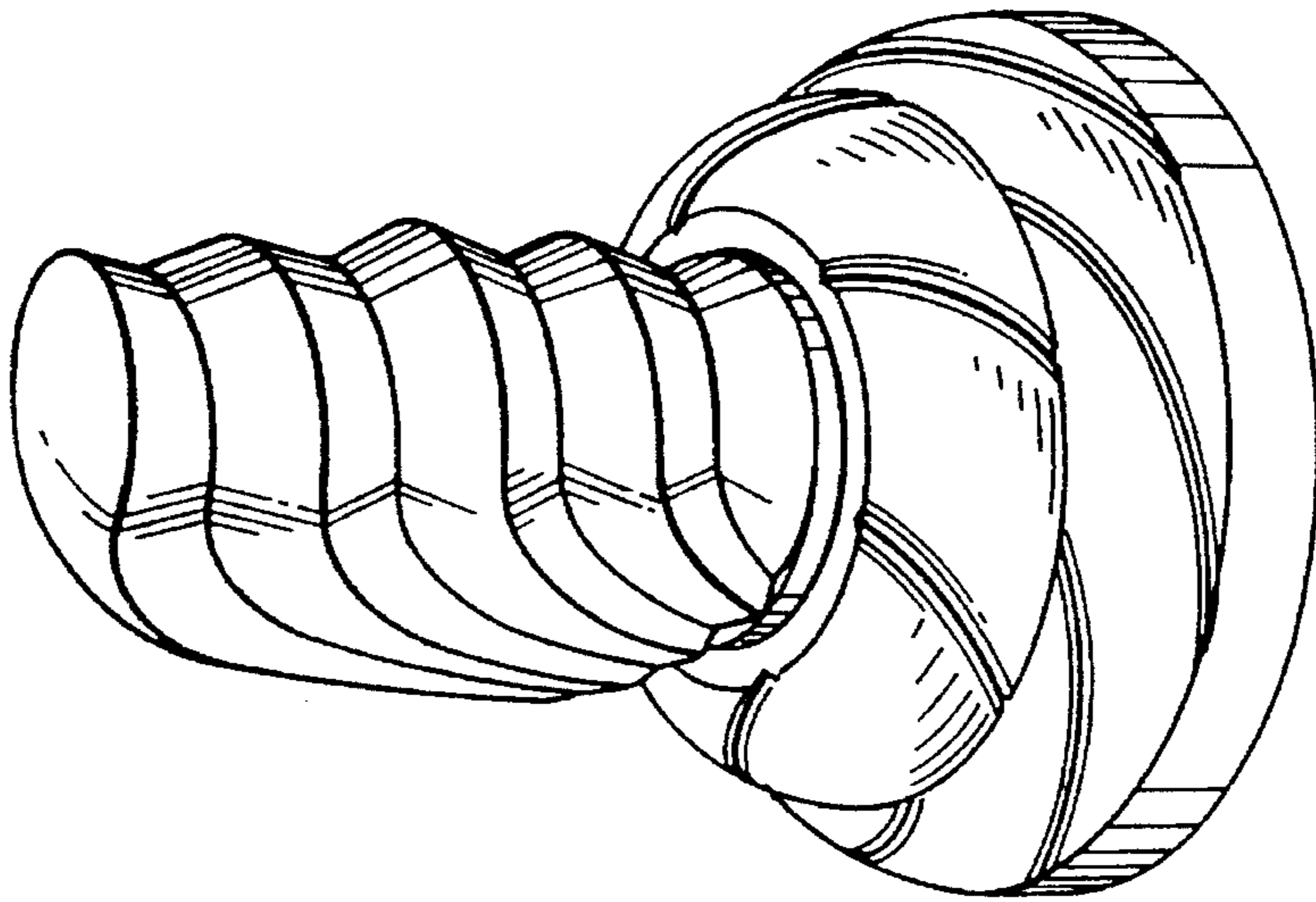


FIG. 1

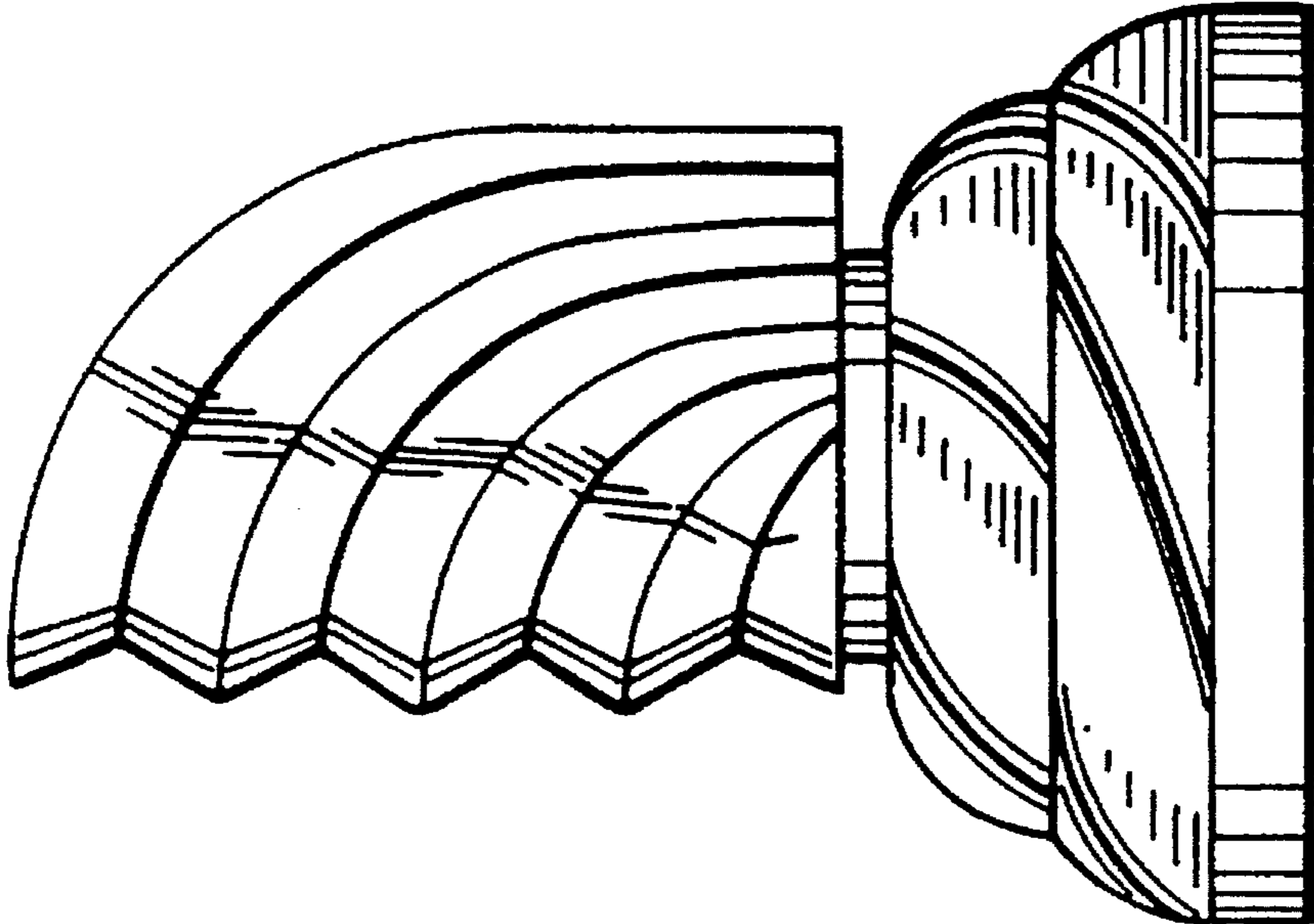


FIG. 2

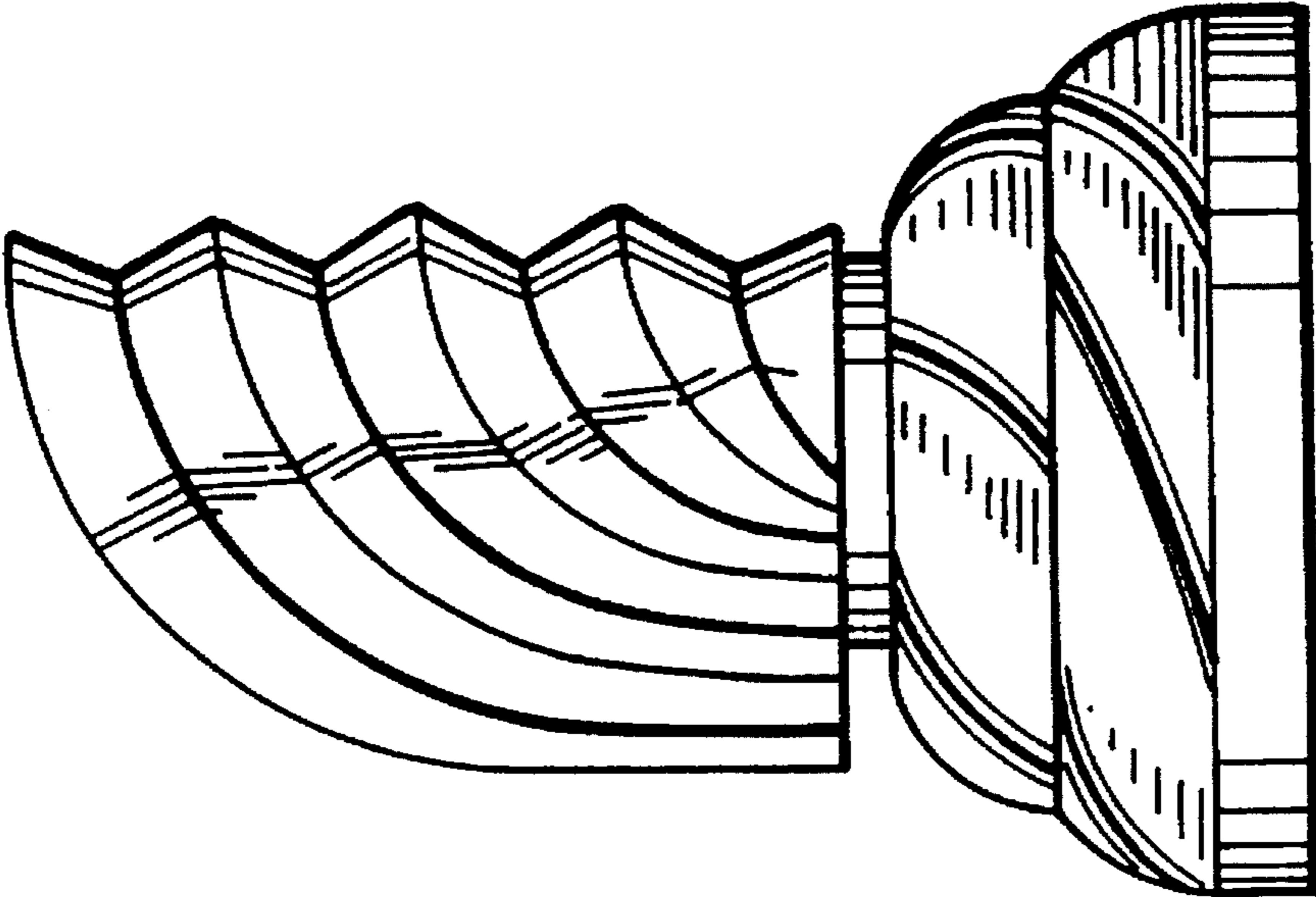


FIG. 3

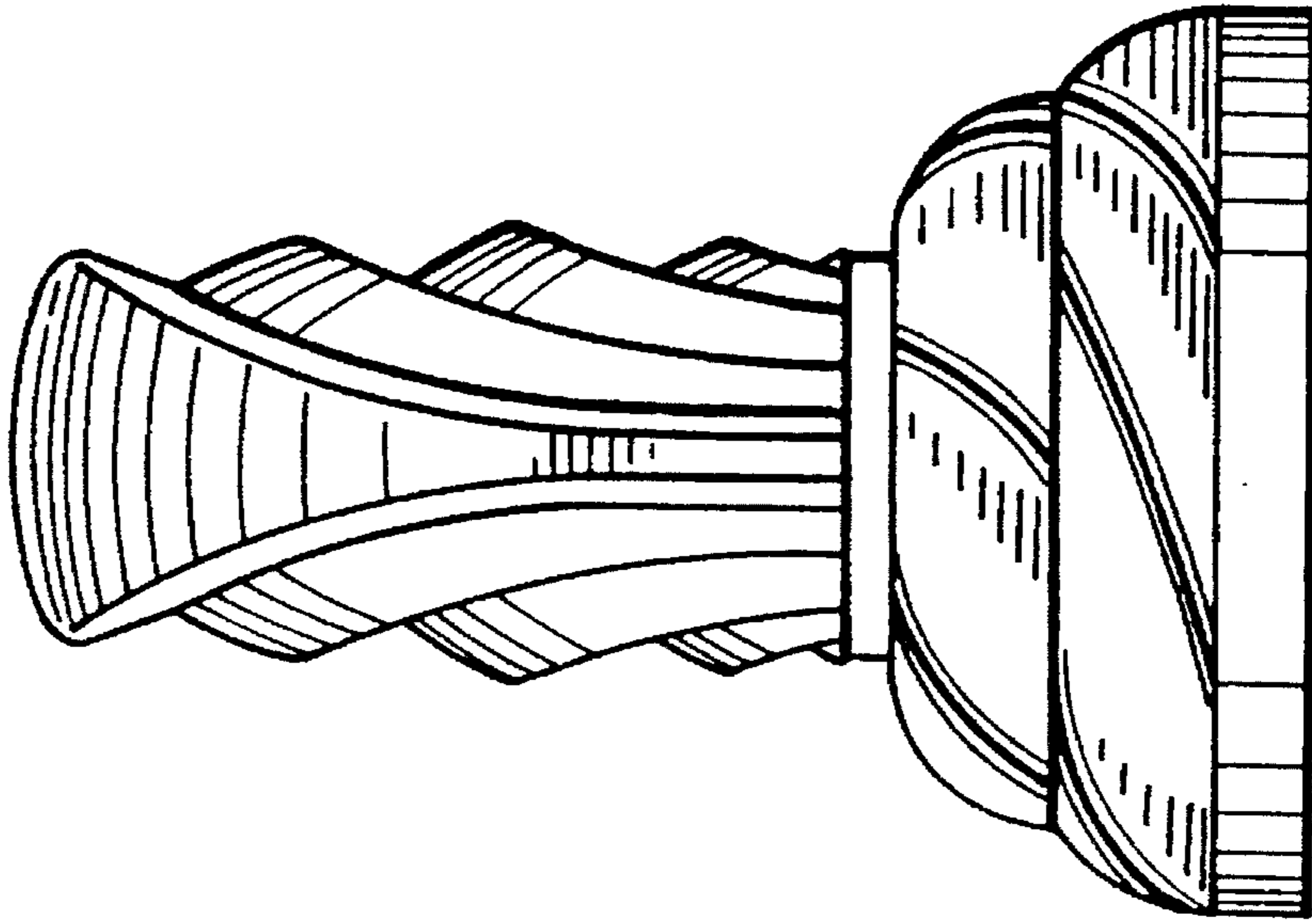


FIG. 4

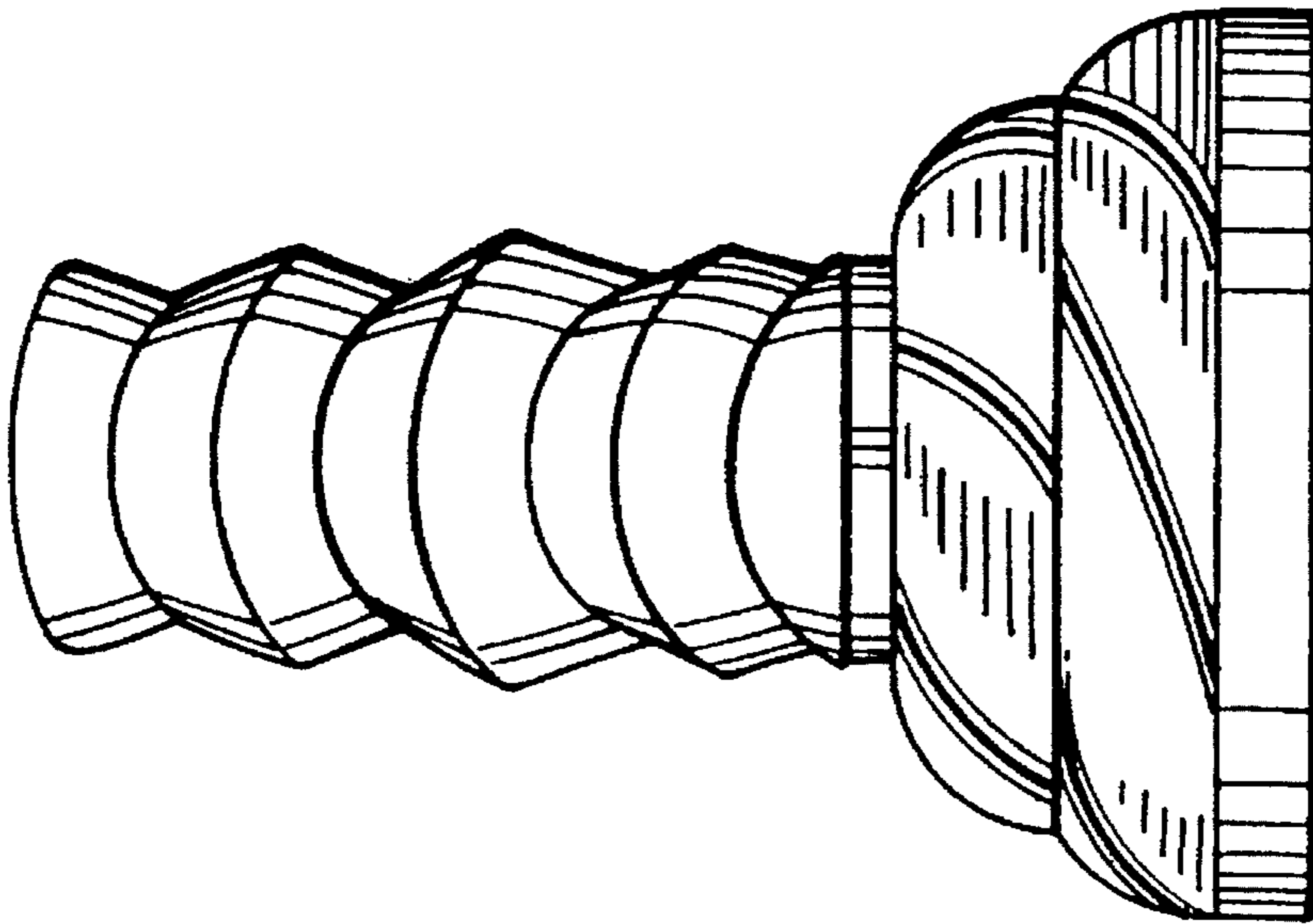


FIG. 5