



US00D371632S

United States Patent [19]

[11] Patent Number: **Des. 371,632**

Truelove

[45] Date of Patent: ****Jul. 9, 1996**

[54] **SMOKING PIPE**

[76] Inventor: **Michael T. Truelove**, 7641 Victor Pike,
Bloomington, Ind. 47403

[**] Term: **14 Years**

[21] Appl. No.: **22,099**

[22] Filed: **Apr. 29, 1994**

[52] U.S. Cl. **D27/163; D27/162**

[58] Field of Search D27/162, 163,
D27/166, 168, 171, 172, 175, 180, 183;
131/173, 194, 270, 329, 336, 360, 361

[56] **References Cited**

U.S. PATENT DOCUMENTS

D. 247,255 2/1978 Frost D27/162

D. 351,253 10/1994 Baig et al. D27/162
848,424 3/1907 Abizaid 131/173
1,579,703 4/1926 Grant 131/173
1,826,331 10/1931 Traube 131/173

Primary Examiner—Louis S. Zarfaz
Assistant Examiner—Monica A. Hannon

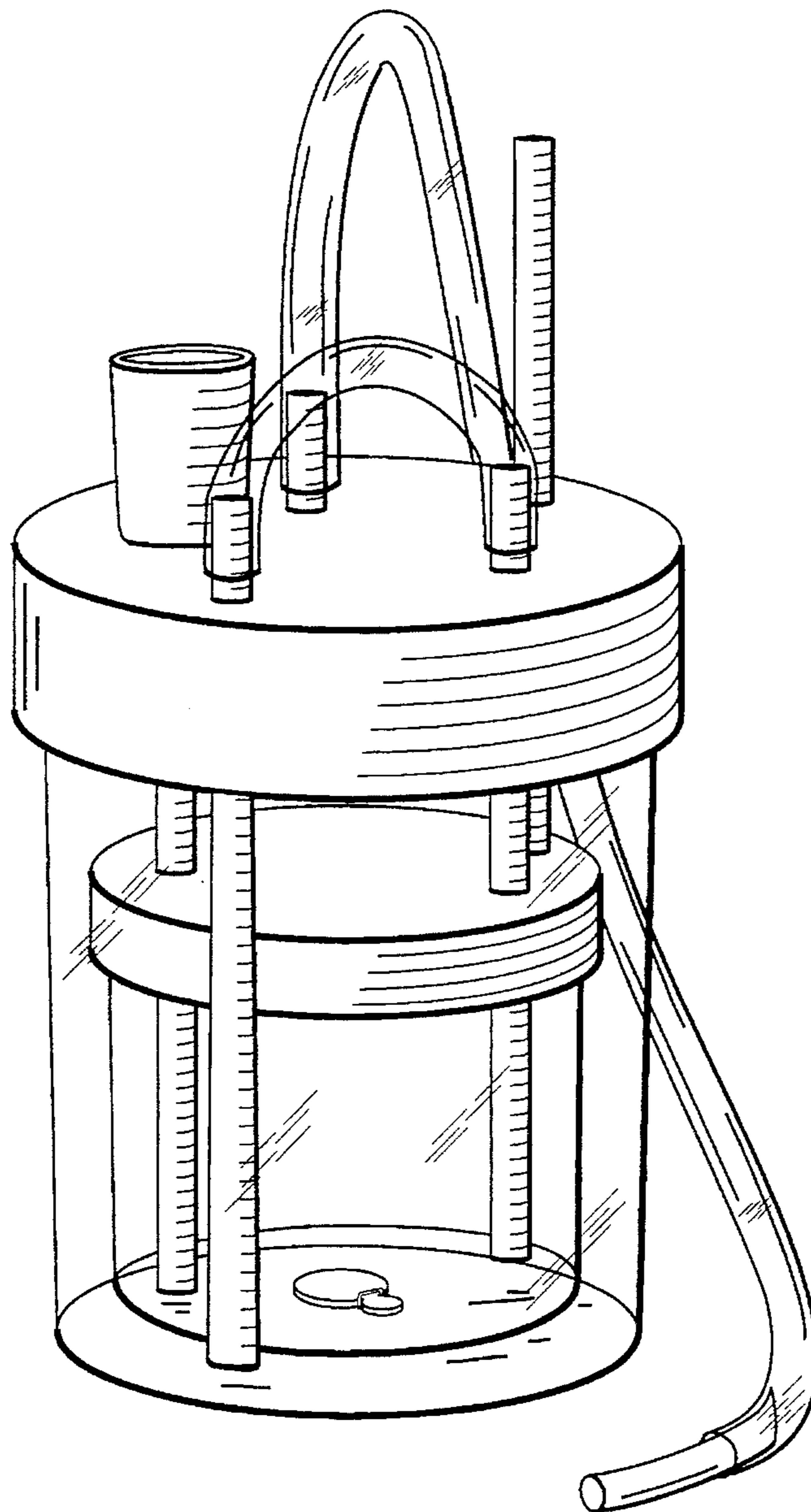
[57] **CLAIM**

The ornamental design for a smoking pipe, as shown.

DESCRIPTION

FIG. 1 is a perspective view;
FIG. 2 is a perspective view;
FIG. 3 is a side view;
FIG. 4 is a top view; and,
FIG. 5 is a bottom plan view.

1 Claim, 5 Drawing Sheets



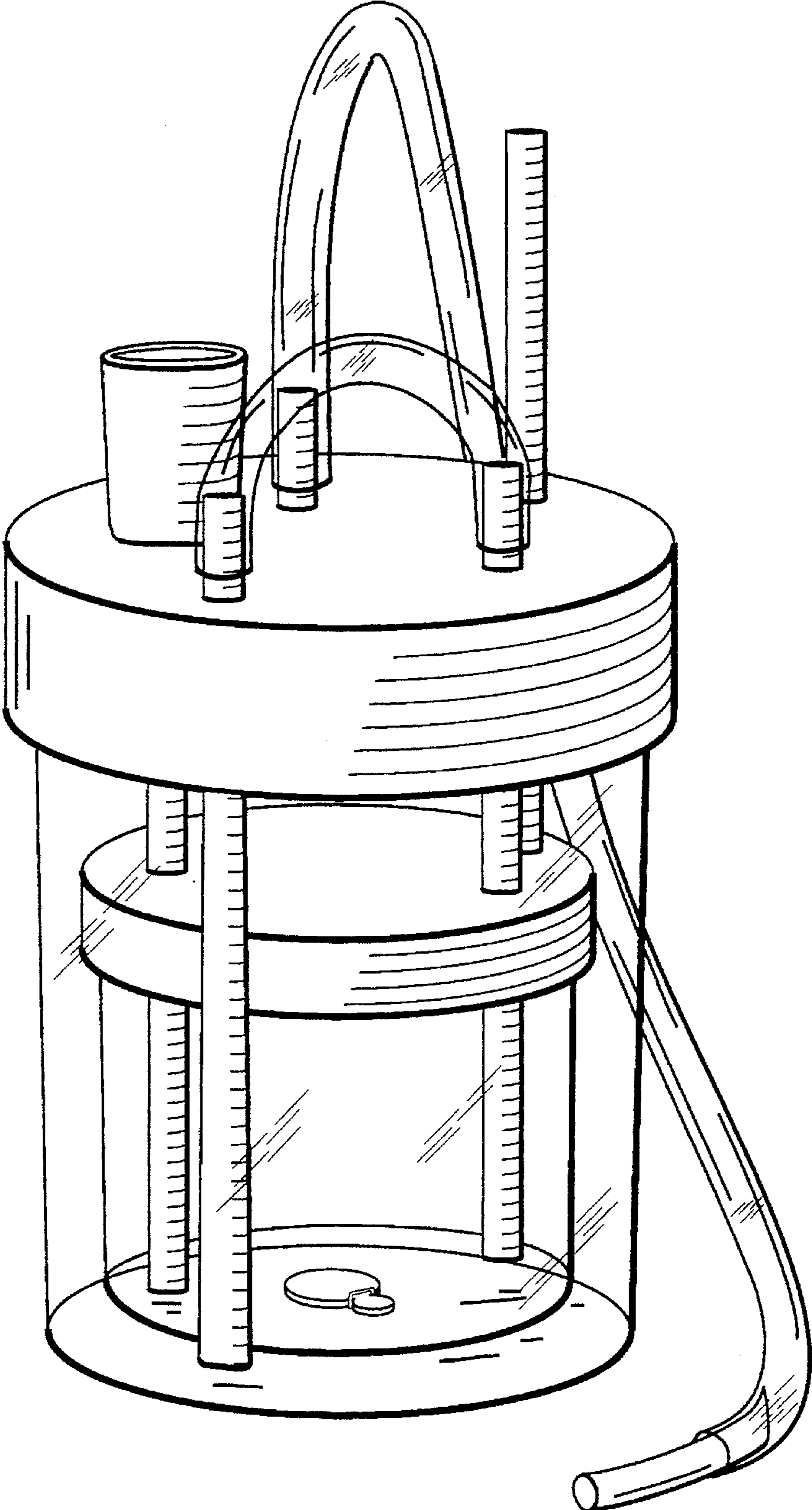


FIG. 1

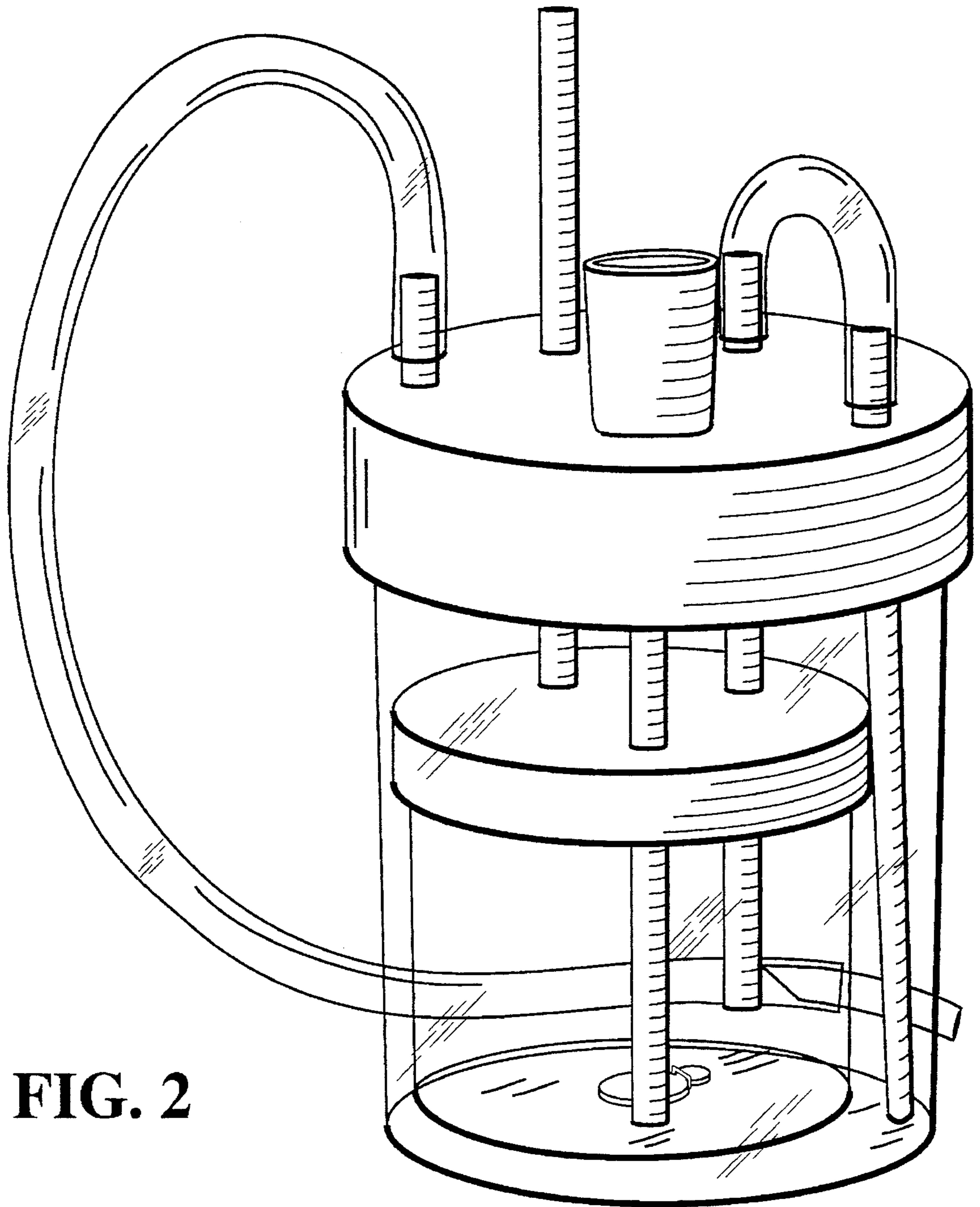


FIG. 2

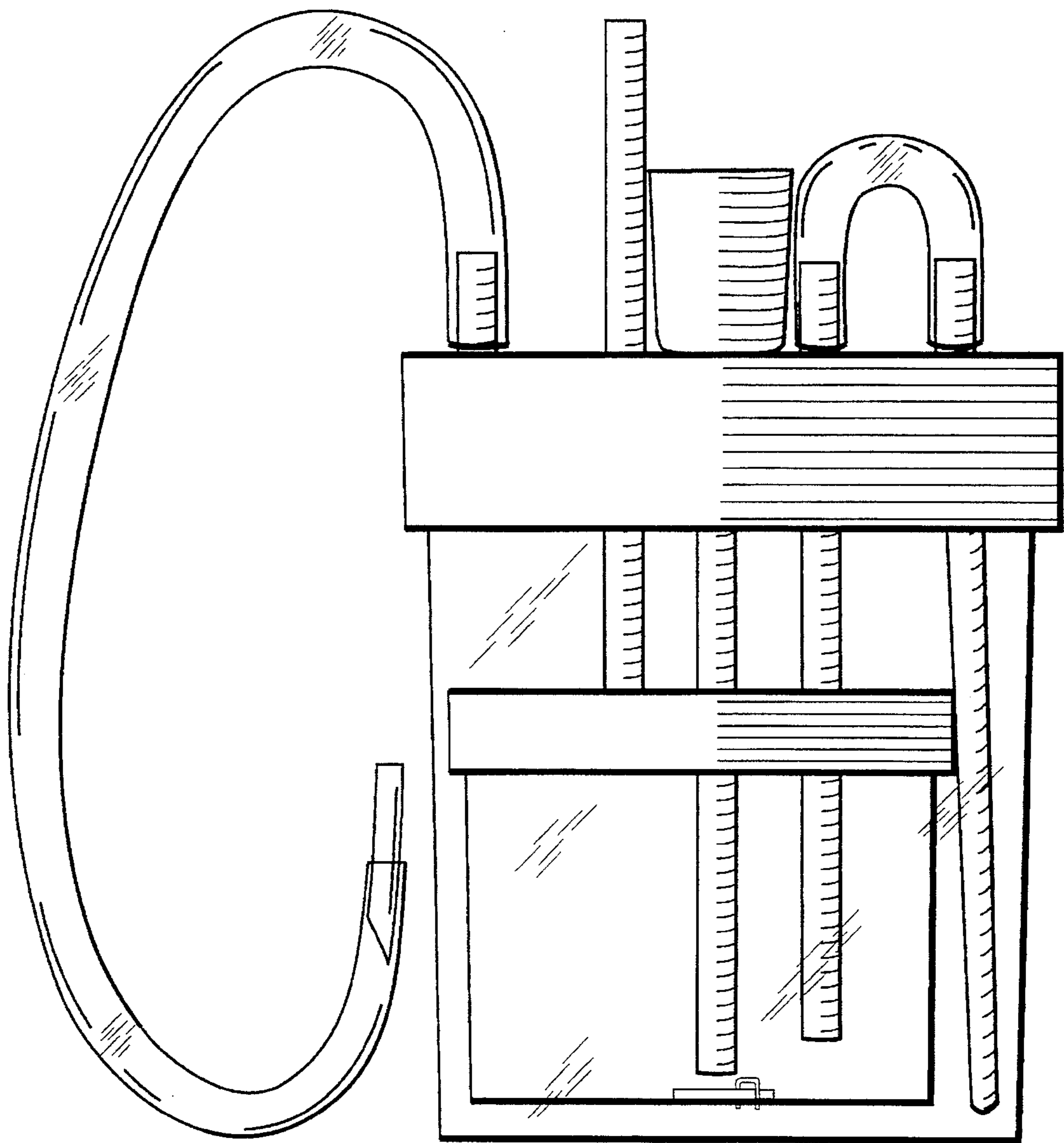


FIG. 3

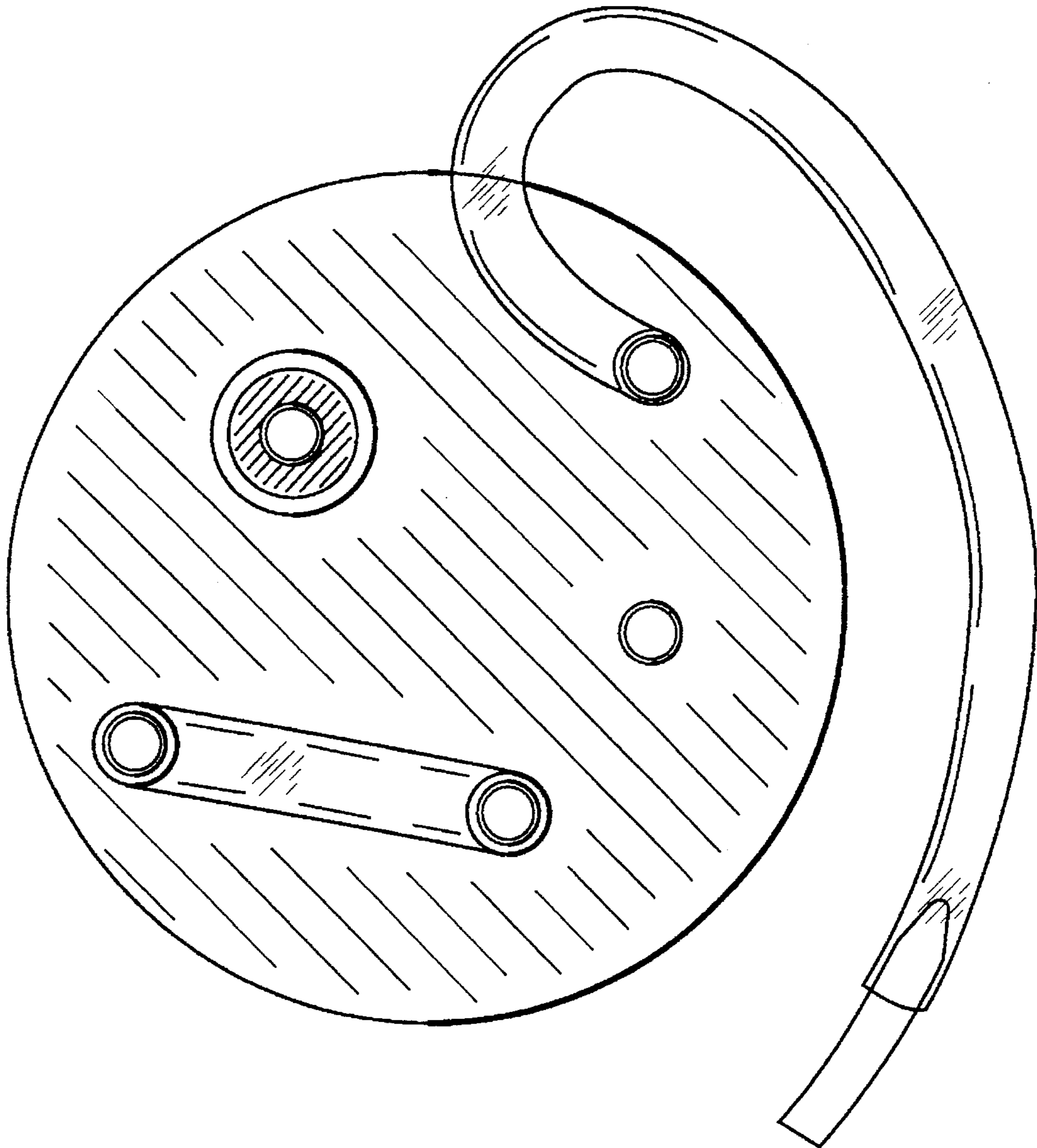


FIG. 4

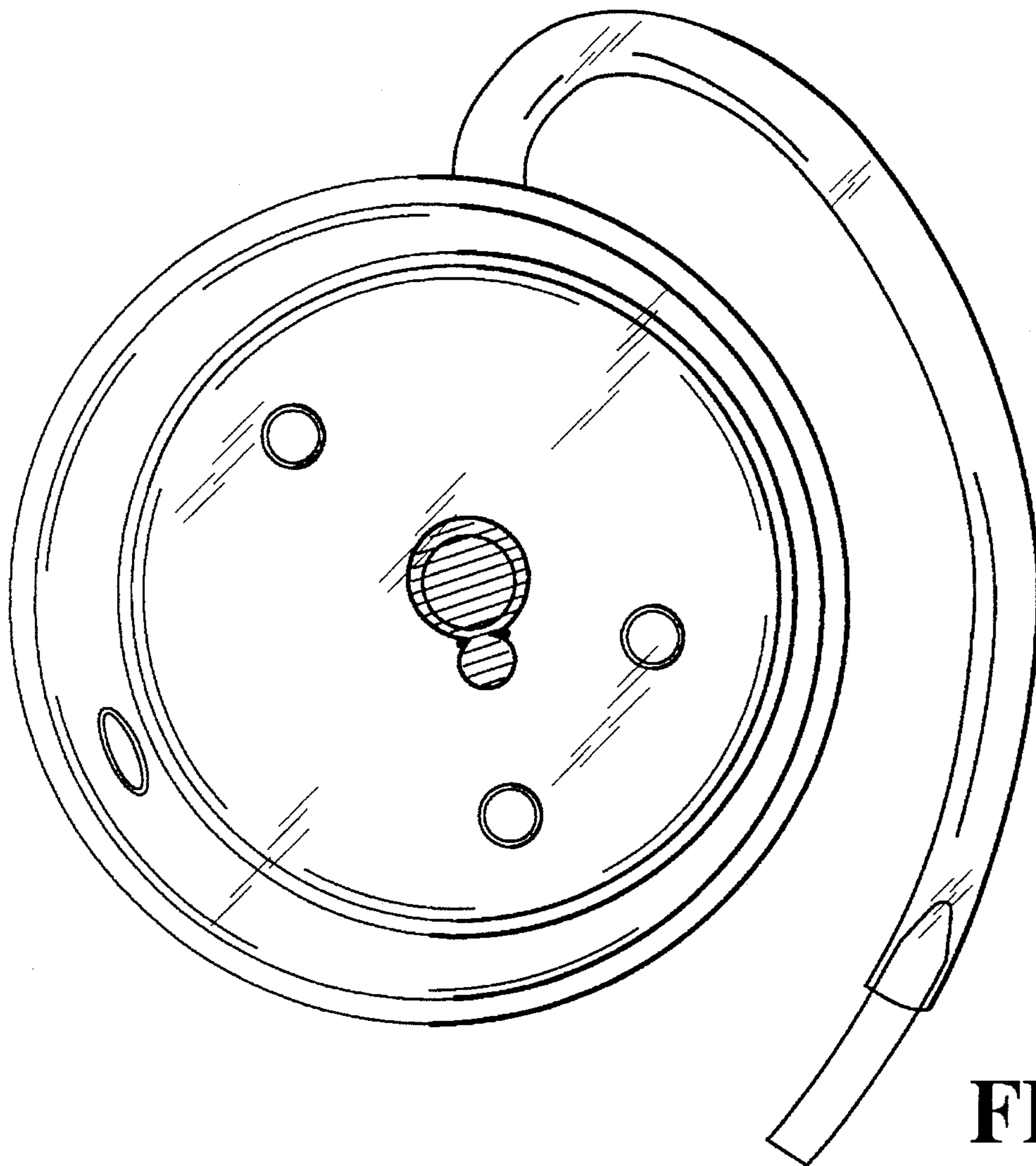


FIG. 5