



US00D371631S

United States Patent [19]

[11] Patent Number: **Des. 371,631**

Pickett et al.

[45] Date of Patent: ****Jul. 9, 1996**

[54] BOBECHE FOR A LIGHTING FIXTURE

OTHER PUBLICATIONS

[75] Inventors: **Mark A. Pickett**, Louisville, Ky.;
Stephen E. Blackman, Scotch Plains,
N.J.

Greene's Lighting Fixtures, Inc, Catalog, p. 17, Chandelier cup.

[73] Assignee: **Thomas Industries, Inc.**, Louisville,
Ky.

Primary Examiner—Susan J. Lucas
Attorney, Agent, or Firm—Hill, Steadman & Simpson

[**] Term: **14 Years**

[57] CLAIM

[21] Appl. No.: **33,112**

The ornamental design for a bobèche for a lighting fixture of FIG. 1, as shown and described.

[22] Filed: **Jan. 5, 1995**

DESCRIPTION

[52] U.S. Cl. **D26/149**

FIG. 1 is a side elevational view of a bobèche for a lighting fixture according to this invention. The view of the side opposite is the same;

[58] Field of Search D26/138, 142,
D26/146, 147, 148, 149, 150, 151, 152,
153, 72, 80-92; 362/147, 404-408

FIG. 2 is a cross sectional view taken along the lines 2—2 of FIG. 1;

[56] References Cited

FIG. 3 is a bottom plan view of the bobèche for a lighting fixture of FIG. 1; and,

U.S. PATENT DOCUMENTS

FIG. 4 is a top plan view of the bobèche for the lighting fixture of FIG. 1 on an enlarged scale.

D. 292,620 11/1987 Schonbek D26/149

1 Claim, 2 Drawing Sheets

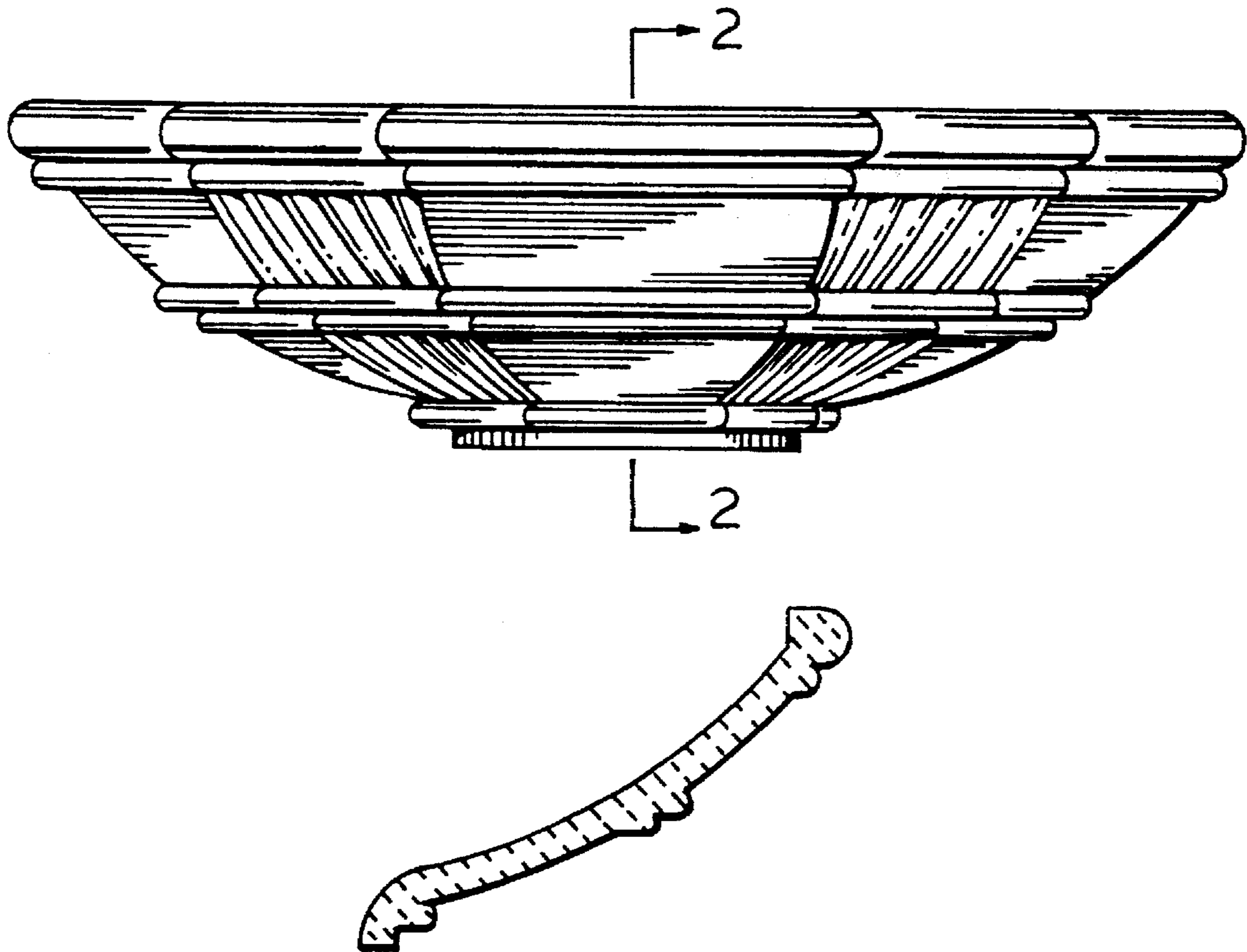


FIG. 1

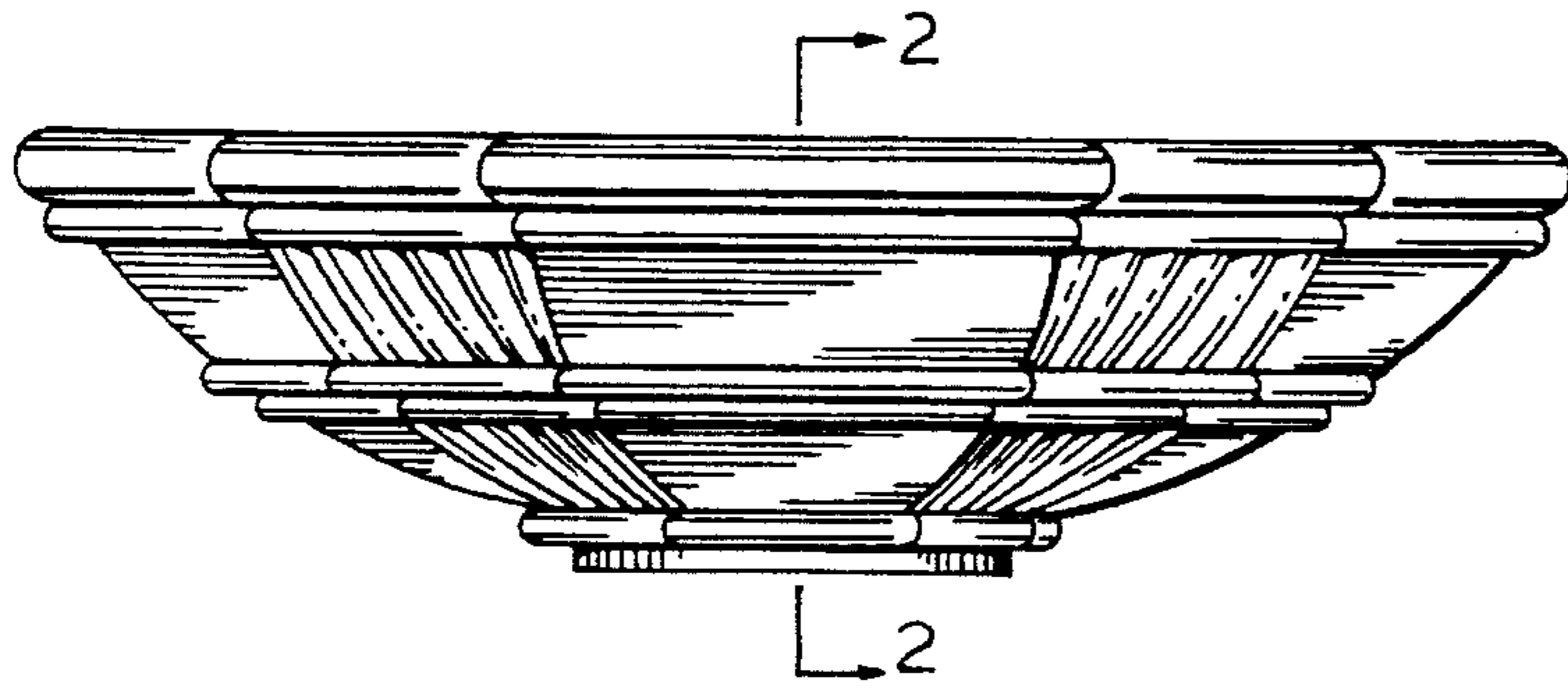


Fig. 2

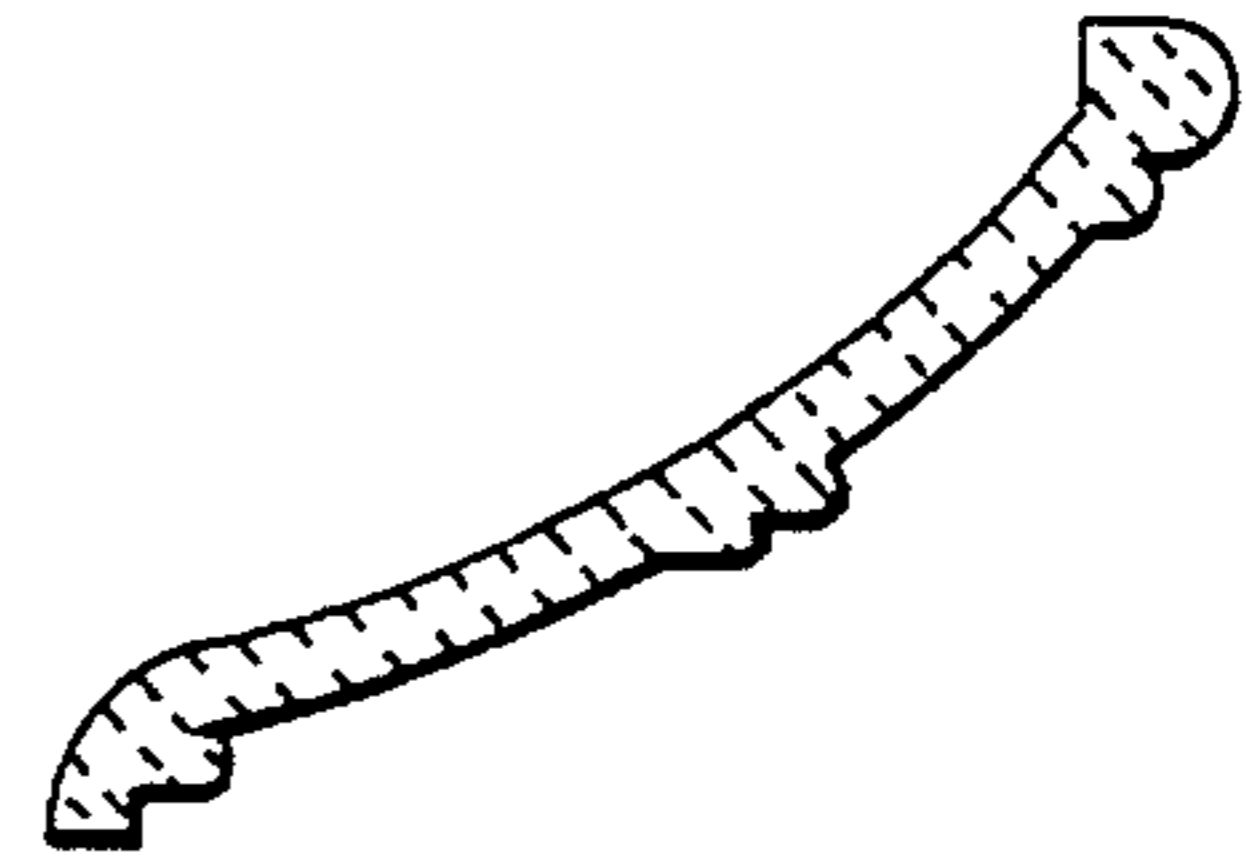


Fig. 3

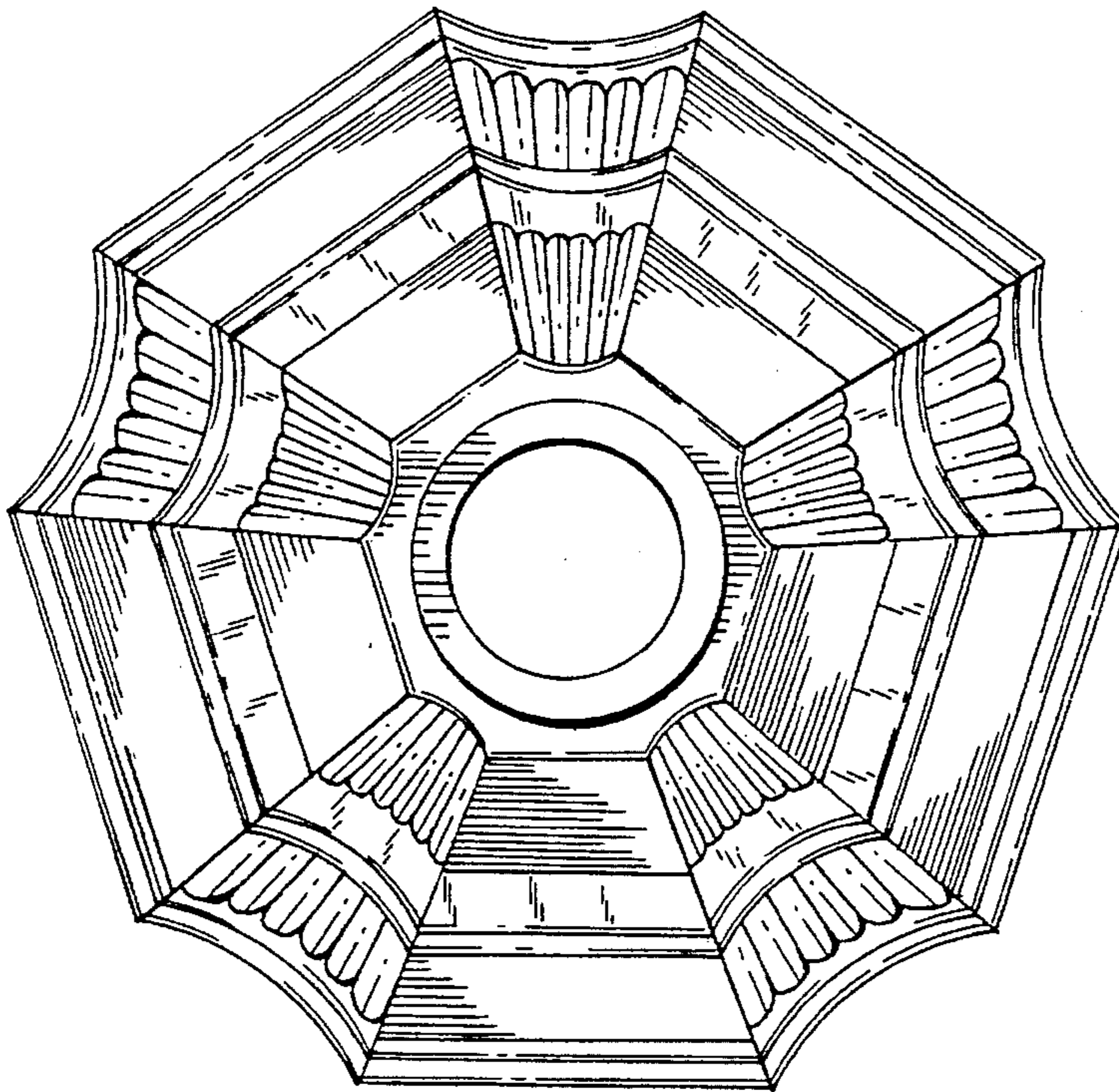


FIG. 4

