



US00D371624S

United States Patent [19]
Benghozi

[11] **Patent Number:** **Des. 371,624**
[45] **Date of Patent:** ****Jul. 9, 1996**

[54] **FLOOR LAMP WITH CONICAL TRANSLUCENT SHADE**

[75] Inventor: **Simon Benghozi**, Montreal, Canada

[73] Assignee: **Bazz Inc.**, Montreal, Canada

[**] Term: **14 Years**

[21] Appl. No.: **27,655**

[22] Filed: **Aug. 26, 1994**

[52] U.S. Cl. **D26/110**

[58] Field of Search D26/93, 102-112;
362/410, 411, 412, 414

[56] **References Cited**

PUBLICATIONS

- Abitare, Sep. 1988, p. 57, Floor Lamp.
- Home Lighting & Accessories, Sep. 1992, p. 52, Floor Lamp.
- Lighting & Lamps, Aug. 1951, p. 69, Floor Lamp (#32).

Primary Examiner—Susan J. Lucas
Attorney, Agent, or Firm—Mila Shvartsman

[57] **CLAIM**

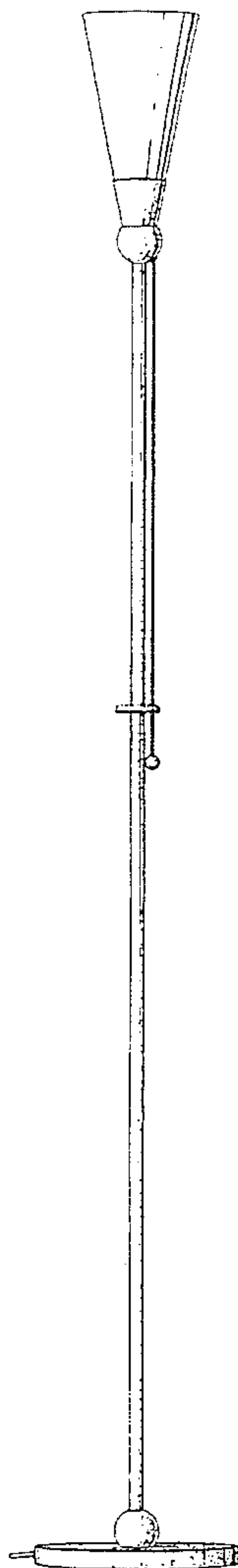
The ornamental design for a floor lamp with conical translucent shade, as shown and described.

DESCRIPTION

FIG. 1 is a perspective view of a floor lamp with conical translucent shade showing my new design;
FIG. 2 is a side elevational view of the lamp taken from the right-hand side of FIG. 1;
FIG. 3 is a back view of FIG. 1; and,
FIG. 4 is a front view of FIG. 1.

A floor lamp with conical shade comprising a disk-shaped base with a single stem protruding upwardly, a sphere at the bottom of said stem, and a substantially $\frac{3}{4}$ spherical mounting for a lightbulb at the top. Substantially $\frac{5}{8}$ of the way up, a decorative small disk is located on the stem. The housing of the lightbulb is an inverted frustrum of a right cone, protruding up, substantially $\frac{1}{3}$ in opaque or metallic-like material, and continuing as a translucent shade the rest of the way. From the bottom of the lightbulb mounting a switch claim is located; this chain descends down past said decorative disk, and ends with a small metal sphere.

1 Claim, 2 Drawing Sheets



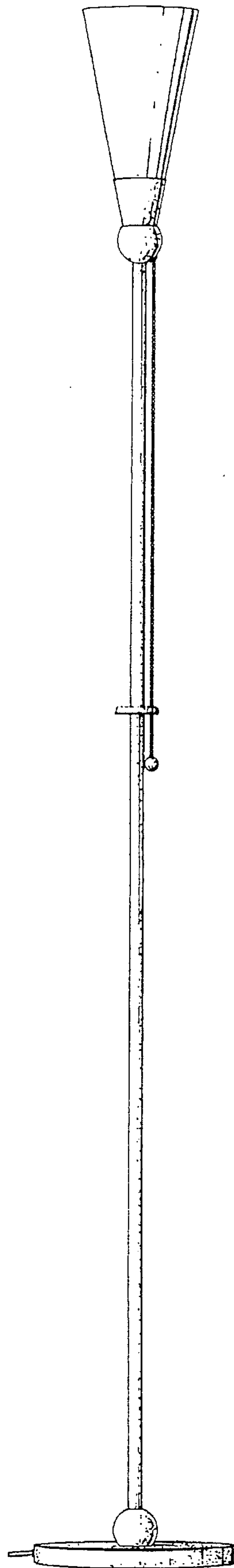


Fig- 1

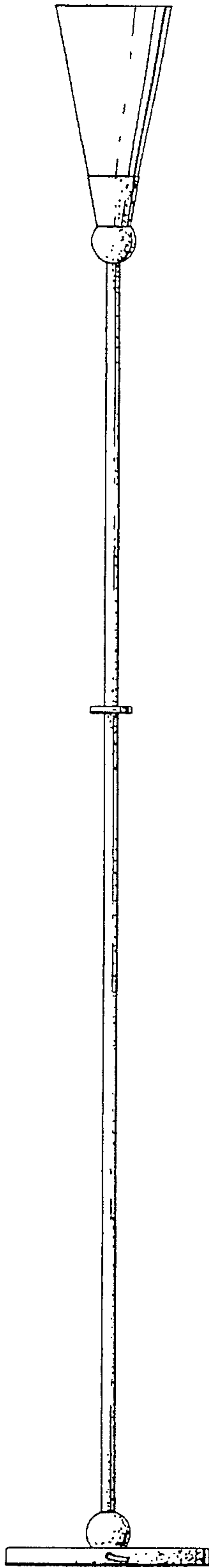


Fig-3

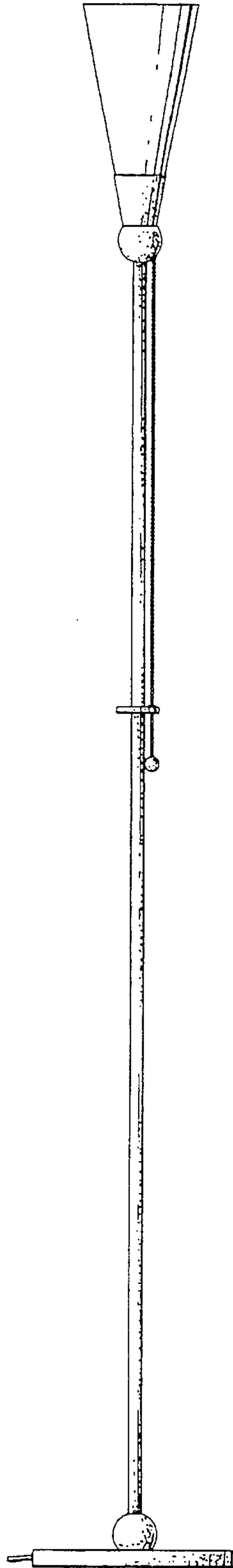


Fig-2

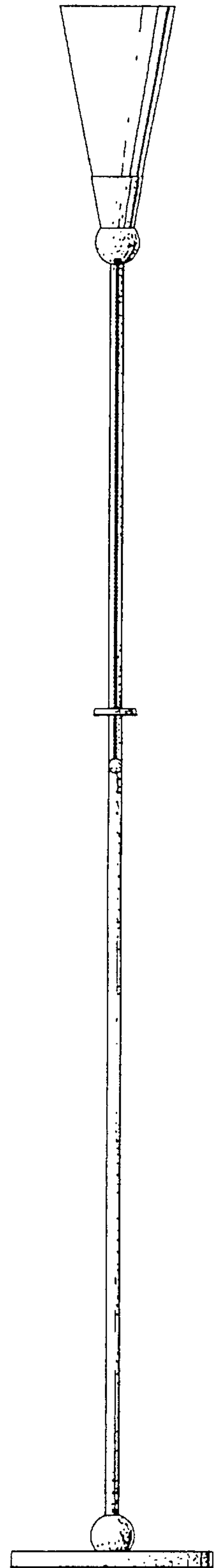


Fig-4