



US00D371620S

United States Patent [19] Cool

[11] Patent Number: **Des. 371,620**

[45] Date of Patent: ****Jul. 9, 1996**

[54] **OUTDOOR LIGHT**

[76] Inventor: **Daniel Cool**, C.P. 19, St. Isidore, New Brunswick, Canada, E0B 2L0

[**] Term: **14 Years**

[21] Appl. No.: **21,987**

[22] Filed: **Apr. 26, 1994**

[30] **Foreign Application Priority Data**

Oct. 27, 1993 [CA] Canada 27-10-93-4

[52] U.S. Cl. **D26/68**; D26/106

[58] Field of Search D26/93, 102-112,
D26/67, 68, 69, 70, 71; 362/410-414, 431,
153.1

[56] **References Cited**

U.S. PATENT DOCUMENTS

D. 279,410 6/1985 Florentino et al. D26/69
4,438,484 3/1984 Winden 362/431 X

OTHER PUBLICATIONS

Architectural Supplements Incorp. Catalog, Jun. 1979, p. 11, Table Lamp #9245.

Progress Lighting Catalog, 1988, p. 142, "Ovalla" Exterior Light.

Primary Examiner—Susan J. Lucas
Attorney, Agent, or Firm—McFadden, Fincham

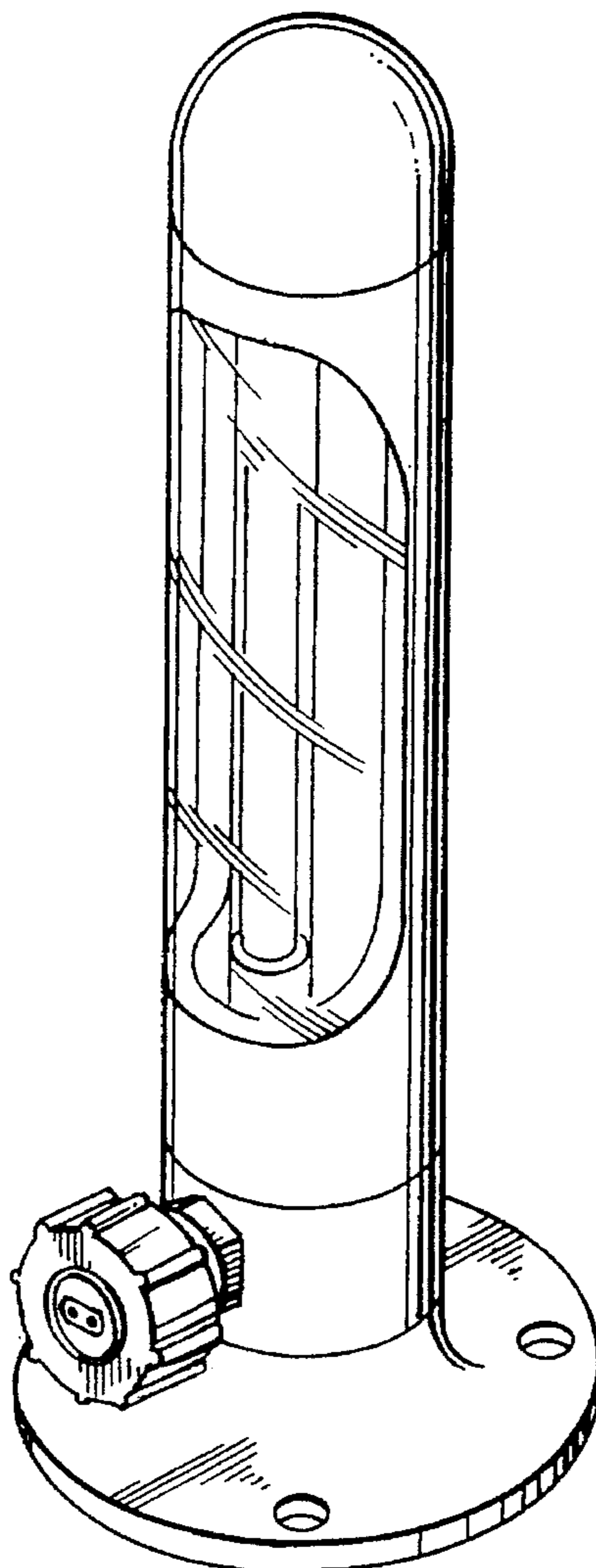
[57] **CLAIM**

The ornamental design for an outdoor light, as shown.

DESCRIPTION

FIG. 1 is a front elevational view of the design;
FIG. 2 is a rear elevational view;
FIG. 3 is a right side elevational view;
FIG. 4 is a left side elevational view;
FIG. 5 is a top plan view;
FIG. 6 is a bottom plan view; and,
FIG. 7 is a perspective view.

1 Claim, 3 Drawing Sheets



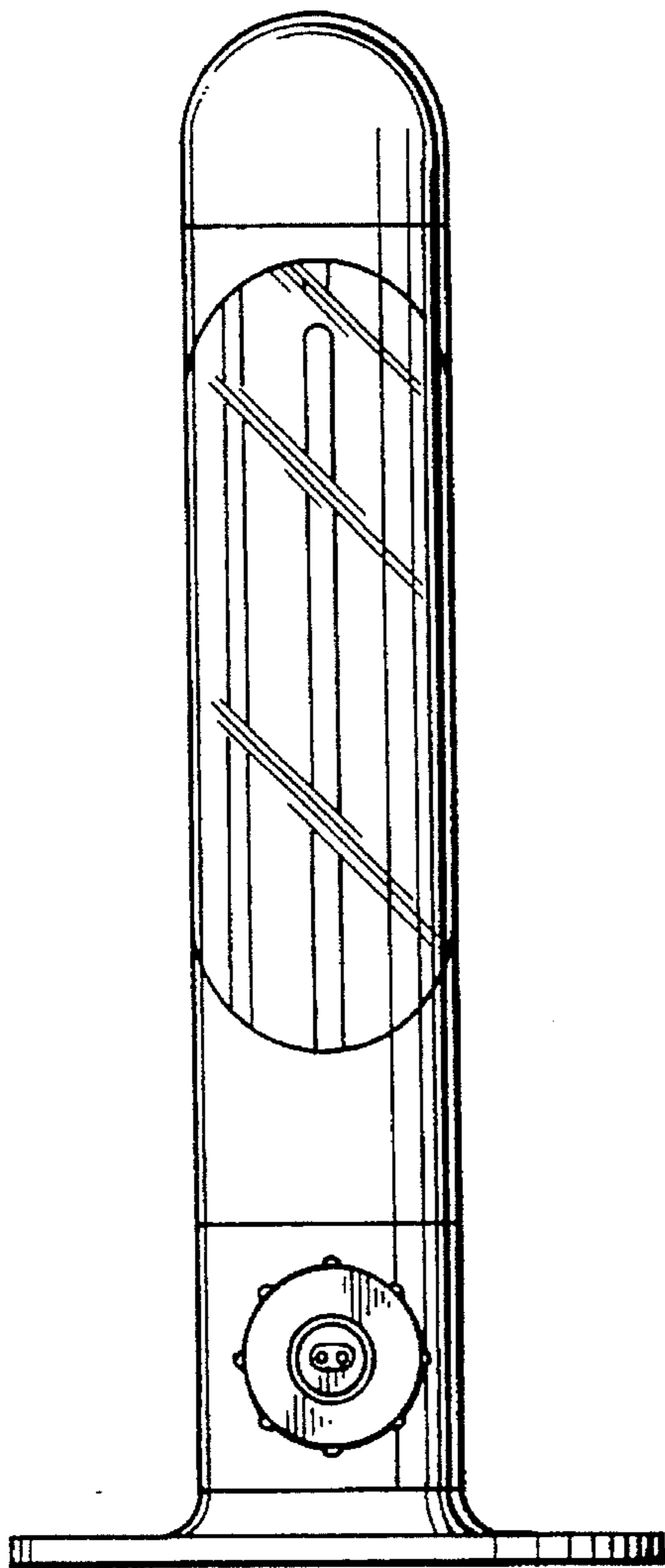


FIG. 1

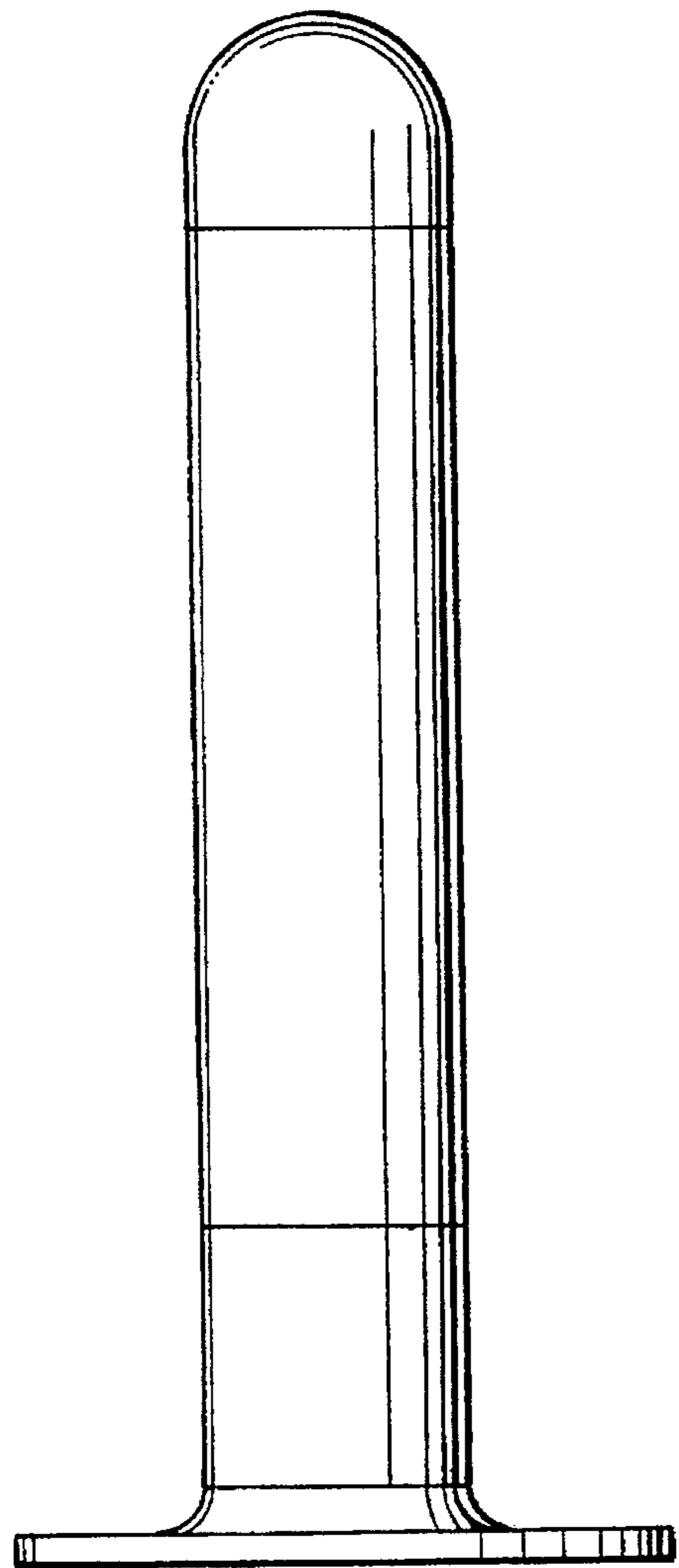


FIG. 2

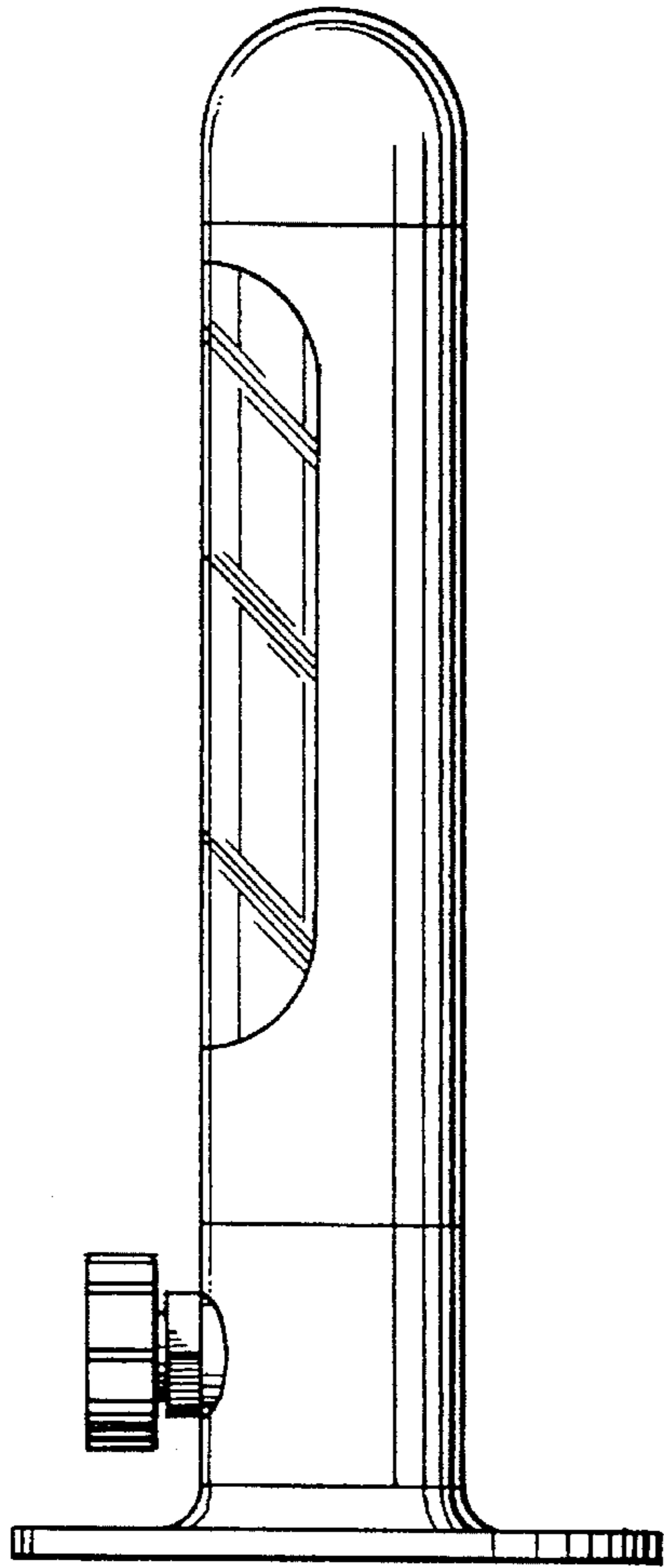


FIG. 3

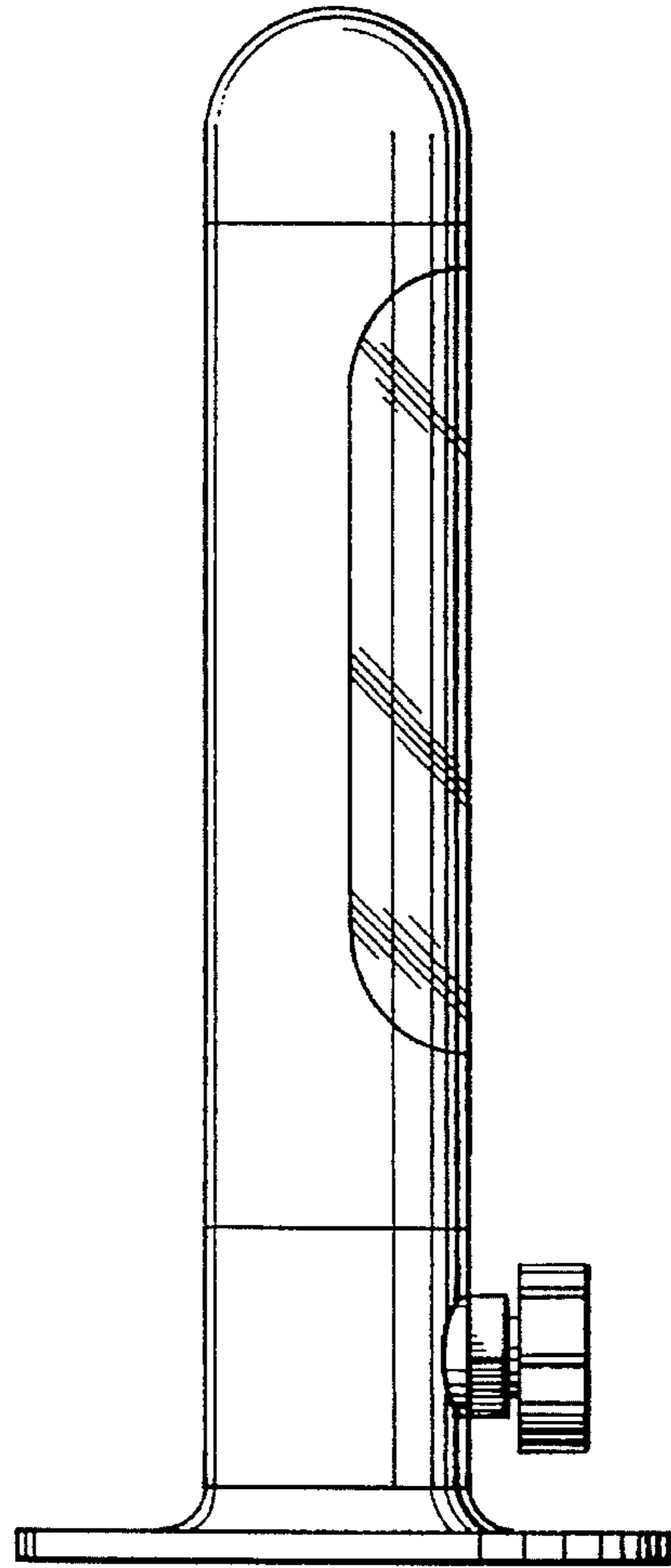


FIG. 4

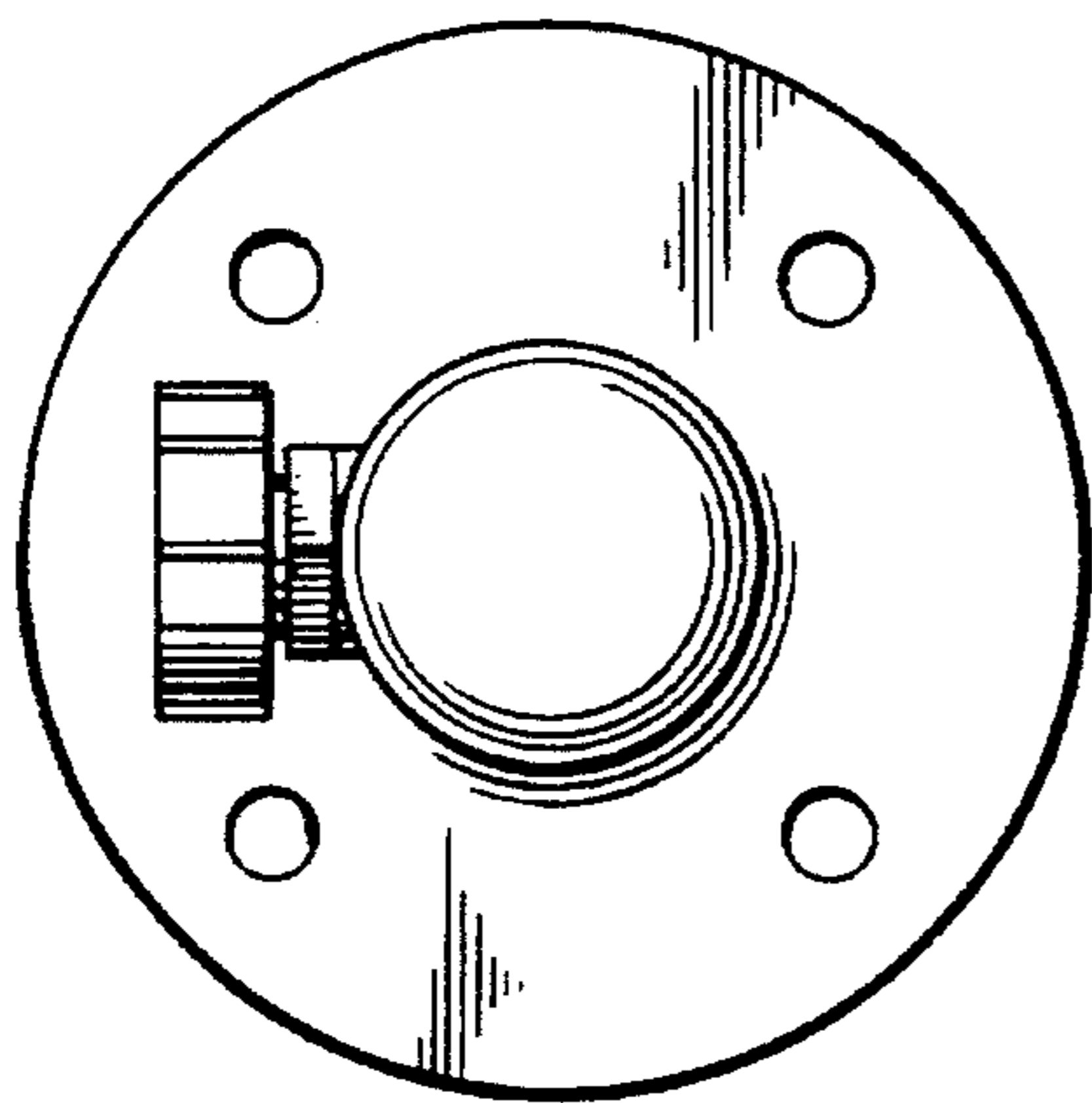


FIG. 5

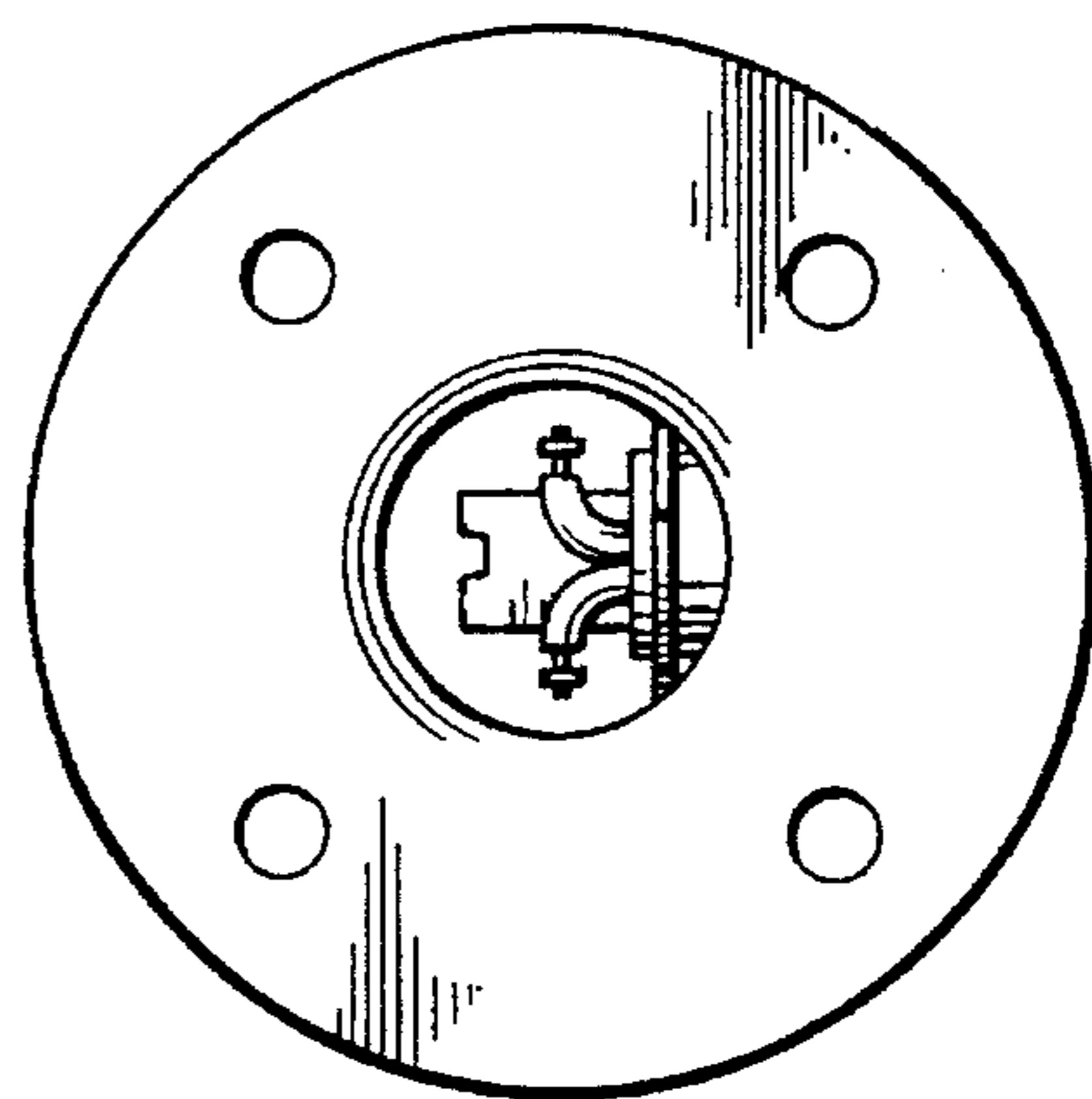


FIG. 6

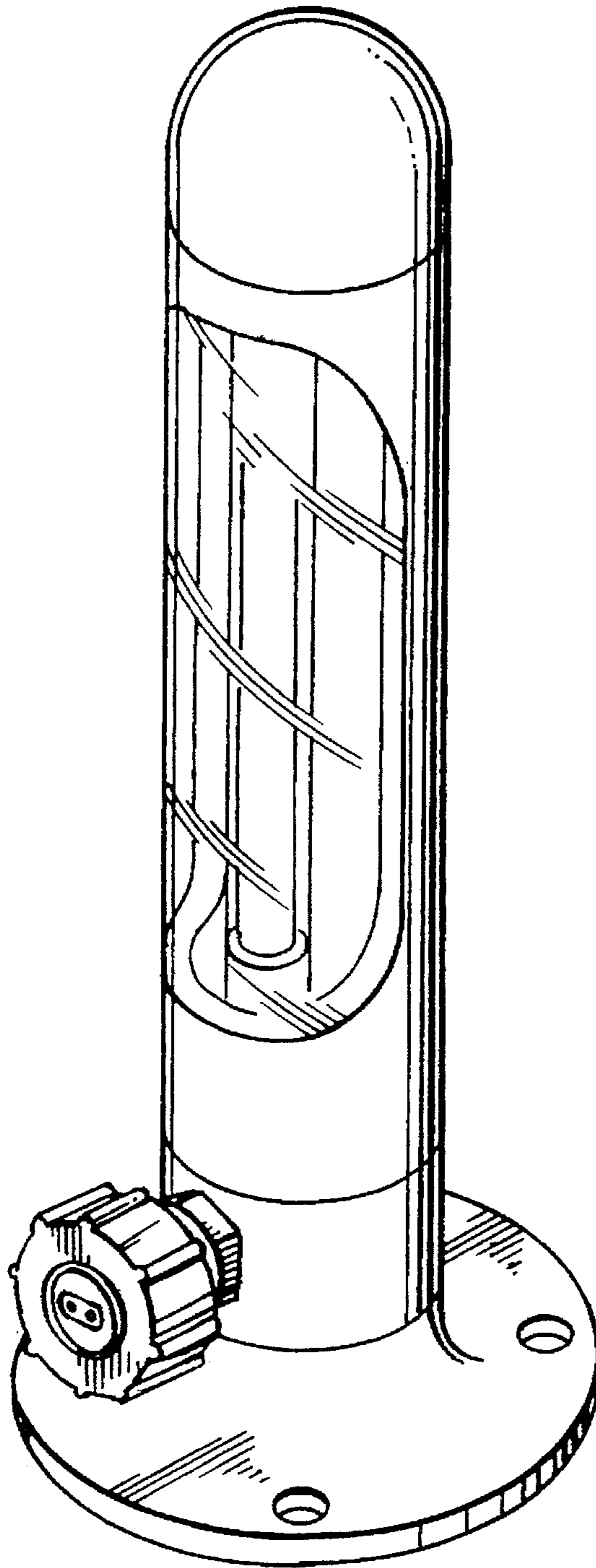


FIG. 7